



US00D737410S

(12) **United States Design Patent**
Wyne

(10) **Patent No.:** **US D737,410 S**

(45) **Date of Patent:** **** Aug. 25, 2015**

(54) **COMBINED CAN CAP AND ADAPTER**

(71) Applicant: **Mark W. Wyne**, Chesterfield, MO (US)

(72) Inventor: **Mark W. Wyne**, Chesterfield, MO (US)

(73) Assignee: **Combined Manufacturing, Inc.**,
Wildwood, MO (US)

(**) Term: **14 Years**

(21) Appl. No.: **29/463,724**

(22) Filed: **Feb. 19, 2014**

Related U.S. Application Data

(63) Continuation-in-part of application No. 29/442,096,
filed on Dec. 5, 2012, now Pat. No. Des. 724,699.

(51) **LOC (10) Cl.** **23-01**

(52) **U.S. Cl.**

USPC **D23/259**

(58) **Field of Classification Search**

USPC D23/223, 226, 233, 259–269;
285/86–93, 179–182

CPC F16L 2201/20; F16L 2201/60; F16L
2201/10; F16L 37/133; F16L 37/0985; F16L
27/0845; F16L 43/008; B29C 66/5229

See application file for complete search history.

(56) **References Cited**

U.S. PATENT DOCUMENTS

228,209	A	*	6/1880	Meier	285/91
D33,957	S	*	1/1901	Thomas	D23/262
D35,516	S	*	12/1901	McMurtrie	D23/262
D38,618	S	*	6/1907	Thomas	D23/262
1,314,156	A		8/1919	Sjogren	
2,866,473	A	*	12/1958	Schutter	137/560
3,133,566	A		5/1964	Hoss	
3,980,325	A	*	9/1976	Robertson	285/249
4,552,427	A	*	11/1985	Landgreen	439/316

4,834,151	A		5/1989	Law	
4,979,655	A		12/1990	Gallucci	
5,020,702	A		6/1991	James	
5,072,971	A	*	12/1991	Roman	285/88
D327,120	S	*	6/1992	Ambrosi	D23/262
5,154,213	A		10/1992	Malamas et al.	
D336,510	S	*	6/1993	Sawtelle	D23/262
5,350,091	A		9/1994	Leete et al.	
5,711,355	A		1/1998	Kowalczyk	

(Continued)

Primary Examiner — Karen E Kearney

Assistant Examiner — John Reickel

(74) *Attorney, Agent, or Firm* — Paul M. Denk

(57) **CLAIM**

The ornamental design for the combined can cap and adapter,
as shown and described.

DESCRIPTION

FIG. 1 is an isometric view of a combined can cap and adapter
of this invention;

FIG. 2 is an isometric bottom view of the invention;

FIG. 3 is a side view, the front, other side, and back views
being identical;

FIG. 4 is a top plan view;

FIG. 5 is a bottom view;

FIG. 6 is an isometric top view of the can cap;

FIG. 7 is an isometric bottom view of the can cap;

FIG. 8 is a side view, the front, other side, and back views
being identical;

FIG. 9 is a top plan view;

FIG. 10 is a bottom view;

FIG. 11 is an isometric top view of the can cap adapter;

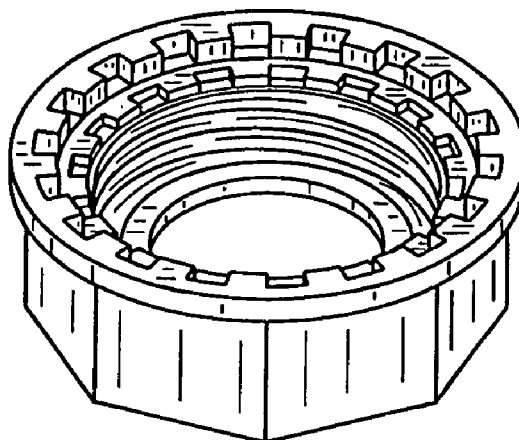
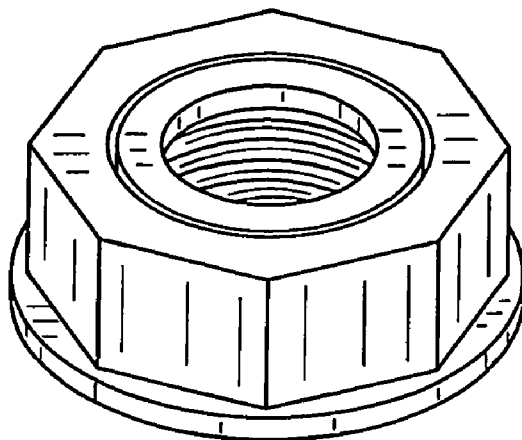
FIG. 12 is an isometric bottom view of the can cap adapter;

FIG. 13 is a side view, the front, other side, and back views
being identical;

FIG. 14 is a top plan view; and,

FIG. 15 is a bottom view.

1 Claim, 3 Drawing Sheets



US D737,410 S

Page 2

(56)

References Cited

U.S. PATENT DOCUMENTS

5,775,385 A 7/1998 Tackett, Sr.
6,116,299 A 9/2000 Cummins et al.
6,223,793 B1 5/2001 Donoughe et al.

7,089,975 B2 * 8/2006 Chrisco et al. 141/286
D648,006 S * 11/2011 Morishita D23/259
D667,530 S 9/2012 Wyne
8,408,938 B2 * 4/2013 Proeckl 439/439

* cited by examiner

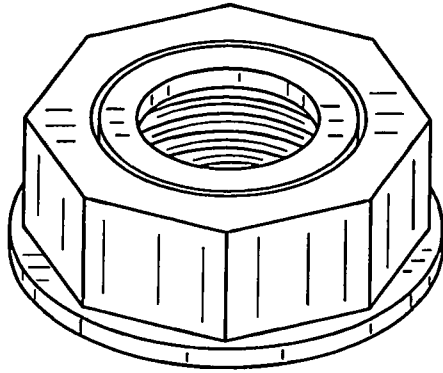


FIG. 1

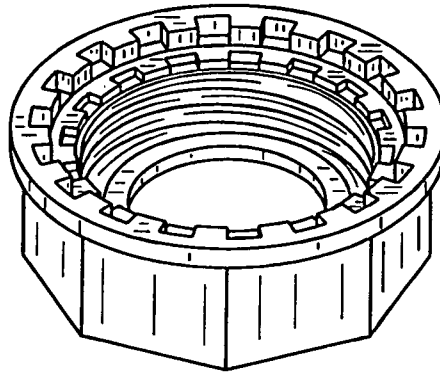


FIG. 2

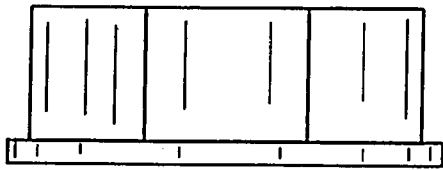


FIG. 3

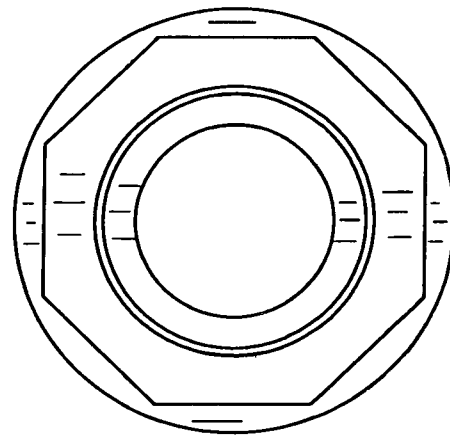


FIG. 4

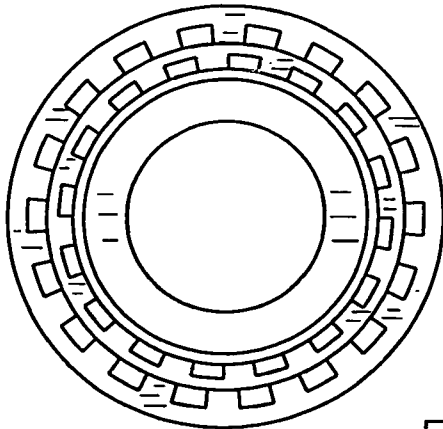


FIG. 5

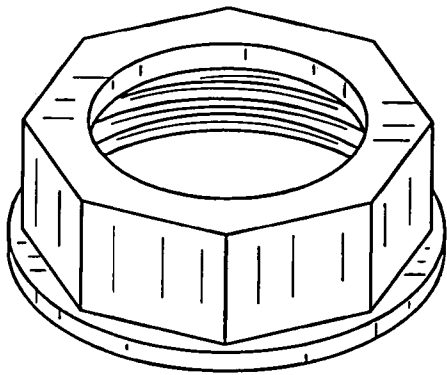


FIG. 6

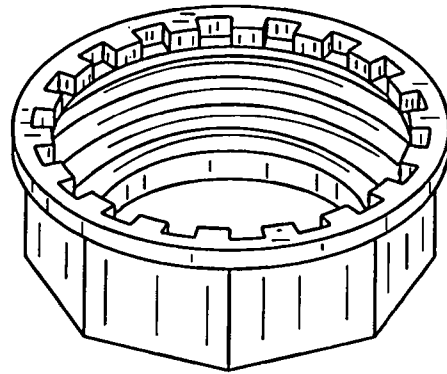


FIG. 7

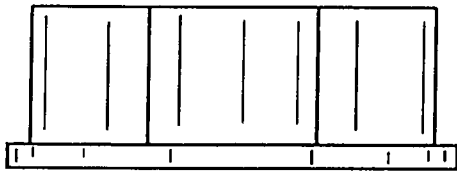


FIG. 8

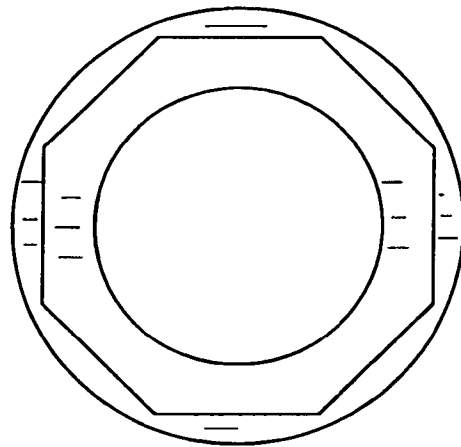


FIG. 9

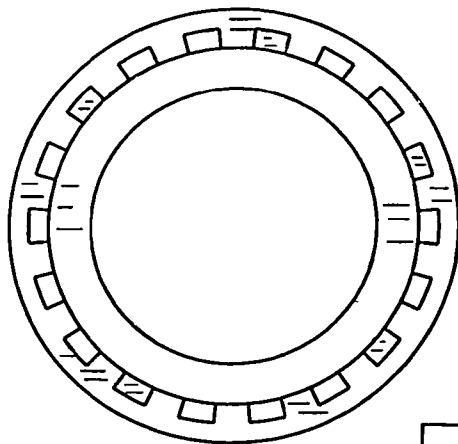


FIG. 10

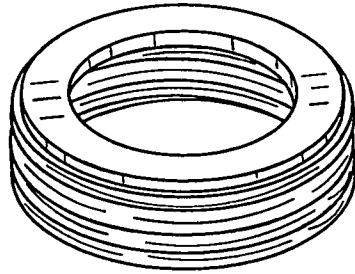


FIG. 11

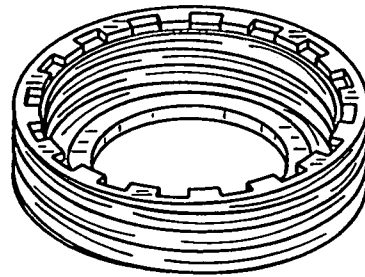


FIG. 12



FIG. 13

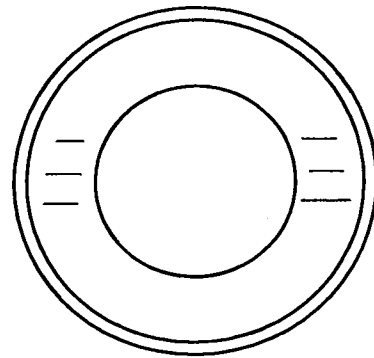


FIG. 14

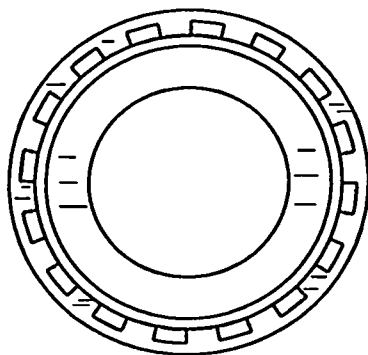


FIG. 15