

(19) World Intellectual Property  
Organization  
International Bureau



(43) International Publication Date  
14 April 2005 (14.04.2005)

PCT

(10) International Publication Number  
**WO 2005/032295 A2**

(51) International Patent Classification<sup>7</sup>: **A45C**

(21) International Application Number:  
PCT/US2004/032028

(22) International Filing Date:  
30 September 2004 (30.09.2004)

(25) Filing Language: English

(26) Publication Language: English

(30) Priority Data:  
60/507,333 30 September 2003 (30.09.2003) US

(71) Applicant and

(72) Inventor: **REID, Christopher, Q.** [US/US]; 4016 Pleasant Valley Road, Virginia Beach, VA 23464 (US).

(74) Agent: **CHASTEEN, Kimberly, A.**; Williams Mullen, Suite 200, 721 Lakefront Commons, Newport News, VA 23606 (US).

(81) Designated States (*unless otherwise indicated, for every kind of national protection available*): AE, AG, AL, AM,

AT, AU, AZ, BA, BB, BG, BR, BW, BY, BZ, CA, CH, CN, CO, CR, CU, CZ, DE, DK, DM, DZ, EC, EE, EG, ES, FI, GB, GD, GE, GH, GM, HR, HU, ID, IL, IN, IS, JP, KE, KG, KP, KR, KZ, LC, LK, LR, LS, LT, LU, LV, MA, MD, MG, MK, MN, MW, MX, MZ, NA, NI, NO, NZ, OM, PG, PH, PL, PT, RO, RU, SC, SD, SE, SG, SK, SL, SY, TJ, TM, TN, TR, TT, TZ, UA, UG, US, UZ, VC, VN, YU, ZA, ZM, ZW.

(84) Designated States (*unless otherwise indicated, for every kind of regional protection available*): ARIPO (BW, GH, GM, KE, LS, MW, MZ, NA, SD, SL, SZ, TZ, UG, ZM, ZW), Eurasian (AM, AZ, BY, KG, KZ, MD, RU, TJ, TM), European (AT, BE, BG, CH, CY, CZ, DE, DK, EE, ES, FI, FR, GB, GR, HU, IE, IT, LU, MC, NL, PL, PT, RO, SE, SI, SK, TR), OAPI (BF, BJ, CF, CG, CI, CM, GA, GN, GQ, GW, ML, MR, NE, SN, TD, TG).

**Published:**

— *without international search report and to be republished upon receipt of that report*

*For two-letter codes and other abbreviations, refer to the "Guidance Notes on Codes and Abbreviations" appearing at the beginning of each regular issue of the PCT Gazette.*

(54) Title: HAND WALLET

(57) Abstract: The present invention relates to wallets. The Hand Wallet is a receptacle that has pockets for containing various accessories. In Particular, it relates to accessories that are specially configured to serve specific functions, such as a wallet for carrying items during activities. This wallet is designed to be worn around the hand with unique expandable pockets. These pockets are designed to carry items like personal identification information, vital medical information, keys, drinking devices etc. this Hand Wallet will benefit those greatly in daily activities while giving a since of comfort and security.

WO 2005/032295 A2

## HAND WALLET

### CROSS REFERENCE TO RELATED APPLICATION

[01] The present application claims priority from U.S. Provisional Application Ser. No. 60/507,333, filed September 30, 2003.

### BACKGROUND OF THE INVENTION

#### Field of the Invention

[02] The present invention relates to wallets. More specifically, it is a wallet worn on the hand with pockets on the backside and palm areas of the hand, but does not limit the usefulness of the other areas of the hand.

#### Description of the Related Art

[03] Traditional wallets are bulky and subject to theft. Frequently, those engaging in physical activities forego carrying a wallet for these reasons. This exposes the individual to inconvenience and possible danger in the event of a medical emergency.

[04] Many devices have been created to accommodate various items in pockets or storage compartments such as a wallet or glove; however, some of the methods of attachment may lead to the possibility of theft or loss of items. Related art, such as Moir, U.S. Pat. No. 6,079,049 issued Jun. 27, 2000; Lonon, U.S. Pat. No. 5,003,637 issued Apr. 2, 1991 and others, discloses gloves with pockets or pouches that are detachable. With this type of structure, the risk of losing items is greatly increased when performing physical activities which require the usage of an individual's hands.

[05] Other gloves have been created with pockets or pouches for carrying weights during physical activities. Related art such as Guthrie et al., U.S. Pat. No. 4,326,706 issued Apr. 27, 1982 and others pertain to weights being contained in a pocket with a snap fastening method. The weights move freely in the pocket or pouch of these gloves therefore increasing the risk of dislodging the snap fastening method thus leading to injury.

[06] There are other gloves that have a pocket attachment to allow a drinking container to be carried on the hand; Dzierson, et al., U.S. Pat. No. Des. 284,806 issued Jul. 29, 1986 etc. This method of attachment may not secure the drinking device properly if the size or shape of the drinking device doesn't permit a tight enclosure.

[07] Various wallets and gloves have been developed to carry items in or around the hand. The previous attempts at carrying items in a safe and secure manner have fallen short of constructive methods of carrying items in pockets, pouches and compartments during activities where the hands are needed to perform certain tasks.

[08] The present invention is designed for the person that may need to carry items while being active, whether walking, jogging, camping, attending carnivals, touring vacation spots, or going to concerts etc. The hand wallet allows a person to carry items while leaving the fingers free for other purposes. This invention does not enclose the fingers, allowing the primary function of carrying, grasping and holding various items possible.

[09] The limitations of the related art previously discussed are overcome by the present invention. With this invention's ability to expand and a fabric base that is flexible, a variety of items can be inserted and contained in or around the hand. The hand wallet provides a first pocket area on the back of the hand and a second pocket area on the palm of the hand. A variety of closing means known in the field enable the pockets to be sized, shaped, and arranged in a variety of configurations. In general, the design of the hand wallet follows function, with the location of the pockets, purpose of the items carried, nature of the activity and items used dictating the structural aspects as previously mentioned of said hand wallet. The top protective flap of the first pocket can be modified to support a device such as a light for activities that are performed where a light source is required.

[10] It is therefore an object of the present invention to provide a wallet which can comfortably be worn on a user's hand.

[11] It is another object of the present invention to provide a wallet which is lightweight.

[12] It is another object of the present invention to provide a wallet which can be used during physical activities.

[13] It is yet another object of the present invention to provide a wallet which allows for transporting a variety of items in a secure fashion.

[14] It is yet a further object of the present invention to provide a wallet which can comfortably be worn on a user's hand which does not restrict movement or use of the hand.

[15] Finally, it is an object of the present invention to accomplish the foregoing objectives in a simple and cost effective manner.

#### SUMMARY OF THE DISCLOSURE

[16] A wallet is described which may be attached to a user's extremity and which includes one or more pockets for carrying desired items. The wallet includes a flexible base to which one or more pockets are mounted. Preferably, one pocket is mounted such that it will be located on the back of the user's hand when in use and a second pocket will be located on the palm side of the user's hand when in use. The base may be attached to the user by use of a zipper or by elongate straps which surround the user's extremity and connect to each other by means of hook and loop fastener or other appropriate fastening means. In a further preferred embodiment, one or both of the pockets may expand to allow the transport of larger items. This may be accomplished by incorporating expansion panels in the side of the pocket or by incorporating an elastic panel into the pocket. Each pocket may further include a means for closing the pocket such that contained items are retained within the pockets. Or, alternatively, the pocket may include a retaining means inside. If desired, a protective flap may be provided to cover the pocket. The protective flap preferably would include a means for securing the flap over the pocket. In an alternate embodiment, the wallet includes a single pocket which extends around its periphery. This pocket can be configured to accept a drinking bladder, including an opening for removing the liquid from the bladder by the user. The pocket can be configured to accept a weight or can be used as storage for desired items.

#### DESCRIPTION OF THE DRAWINGS

[17] Figure 1 shows a top view of the preferred embodiment of the present invention;

[18] Figure 2a is a view of the internal structure of the preferred embodiment of the present invention;

[19] Figure 2b is a cross sectional view of the preferred embodiment of the present invention taken across line IIb of figure 2a;

[20] Figure 3 is a side view of the preferred embodiment of the present invention;

[21] Figure 4 is a side view of the preferred embodiment of the present invention;

[22] Figures 5 and 6 are view of the palm side of alternate embodiments of the present invention;

[23] Figure 7 shows a top view of an alternate embodiment of the present invention;

[24] Figure 8 shows a bottom view of the alternate embodiment of the present invention shown in Figure 7;

- [25] Figure 9 shows a top view of an alternate embodiment of the present invention;
- [26] Figure 10 shows a bottom view of the alternate embodiment of the present invention shown in Figure 9;
- [27] Figure 11 shows a side view of the alternate embodiment of the present invention shown in Figure 9;
- [28] Figure 12 shows a bottom view of the alternate embodiment of the present invention shown in Figure 9 with a drinking bladder installed;
- [29] Figure 13 shows a bottom view of the alternate embodiment of the present invention shown in Figure 9 in the open configuration showing installation of a drinking bladder;
- [30] Figure 14 shows an embodiment of a drinking bladder which can be used in the alternate embodiment of the present invention as shown in Figs. 9-13;
- [31] Figure 15 shows an embodiment of a weight which can be used in the alternate embodiment of the present invention as shown in Figs. 9-13 in place of the drinking bladder;
- [32] Figure 16 shows a perspective view of an alternate embodiment of the present invention in the open configuration;
- [33] Figure 17 shows a perspective view of the alternate embodiment of the present invention shown in Figure 16 in the closed configuration;
- [34] Figure 18 shows a bottom view of the alternate embodiment of the present invention shown in Figure 16 with a drinking bladder installed;
- [35] Figure 19 shows an embodiment of a drinking bladder which can be used in the alternate embodiment of the present invention as shown in Figs. 16-18; and
- [36] Figure 20 shows a perspective view of the embodiment of the present invention.

#### Element List

- 20 hand wallet
- 22 slotted pocket
- 24 protective flap
- 26 base
- 28 zipper
- 30 expandable side
- 32 elastic strap
- 34 pocket
- 36 wrist strap
- 38 hook and loop fastener
- 40 pocket

42	band of material
46	palm section
50	opening
52	pocket
56	spout
58	bladder body
60	drinking bladder
62	weight
64	absorbent cloth material
66	pocket
68	pocket
70	hand wallet
72	drinking bladder
74	drinking bladder

#### DETAILED DESCRIPTION OF THE PREFERRED EMBODIMENT

[37] The following detailed description is of the best presently contemplated modes of carrying out the invention. This description is not to be taken in a limiting sense, but is made merely for the purpose of illustrating general principles of embodiments of the invention.

[38] In the preferred embodiment of the present invention, a hand wallet configured to carry items is described. Because coverage of the fingers is not a primary object, the base material need only cover the hand sufficiently so as to provide a secure mount for the features described herein. The hand wallet may be worn over a glove or might enclose the fingers if desired for certain conditions such as inclement weather. For other circumstances, the fingers may be exposed to improve manual dexterity, so long as the base is secure. Indeed, as shown in Figure 1, the hand wallet may be comprised of a base 26 made from a strip of appropriate material, such as neoprene or leather, secured about the palm and back of a hand, without finger holes at all.

[39] Figures 1-4 and 20 show the preferred embodiment of the present invention 20. A first pocket area may be located on the back of the hand for placing a variety of items, such as money, credit cards, personal identification, business cards, pass cards, and vital medical information cards etc. For such items, the first pocket area may include one or more slotted pockets 22 adapted to hold such cards. This first pocket area may also include expandable sides 30, that allow it to expand vertically to accommodate various items. This first pocket area also preferably includes a protective flap 24 which can be closed by a zipper 28 or other appropriate means. The first pocket area can be modified to support items like a lighting

device or other small portable devices such as a whistle or an electronic device. Indeed, such items could be life saving if the need arises. For example, if a jogger experiences a heart attack or seizure, the hand wallet 20 could accommodate medication or life saving information. In addition to customary items carried in a wallet, such a first pocket might accommodate a lighting device, gaming and trading cards or other communication devices. As equipment is reduced in size, personnel working law enforcement, package delivery, inventory, etc. could use the pocket for task specific electronic equipment. In this case, the pocket would be sized to accommodate the electronic item.

[40] The hand wallet 20 is preferably affixed to the hand using a wrist strap 36 (see figures 5, 6, 10, 12, 13 and 20). The wrist strap may be connected using hook and loop fastener 38 or other appropriate fastening means.

[41] As shown in Figs. 5 and 6, a second pocket area may be located in the palm of the hand that can be used for items such as keys, mobile phone, money, identification cards, cosmetics, mp3 player, etc. The structure of the second pocket area is preferably designed for comfortable use in the intended activity. Inside the second pocket area can be an elastic strap 32 for securing items, such as keys, pepper spray, a small medicine bottle, etc. This can be useful if a person is walking and a dog or person tries to attack. The pepper spray, for example, would be located in the palm of the hand, ready for use without searching. Again, the second pocket area can be tailored for the desired use. For example, multiple pockets 34 and 40 may be provided. One or more of the pockets on the second pocket area may be closed by using hook and loop fastener 38 or other appropriate fastening means. The pockets 34 and 40 are preferably formed used an outer band of material 42 at the appropriate edges of the pockets 34 and 40 to secure the pockets 34 and 40 to the hand wallet 20.

[42] In addition, both pocket areas are adapted for their respective position on the hand. FIG. 1, 2, 3 and 7 show details concerning an embodiment of the first pocket area located on the back of the hand. This permits a broad range of designs and generally a greater pocket capacity. A protective flap 24 may be used with an internal fastener or closing device, such as a zipper 28 or a strip of hook and loop fastener 38. FIG. 5, 6 and 8 show alternate embodiments of the second pocket area located in the palm of the hand. Typically, the second pocket area will be sized for comfort. If desired, the second pocket area is aligned to orient its contents within the pocket for comfortable gripping by the hand.

[43] The elastic strap 32 shown inside a pocket 40 in the second pocket area may maintain an item such as pepper spray and/or keys in a secure, but ready to use location. This pocket is preferably capable of expanding to allow for larger items. Hook and loop fastener 38 or other appropriate fasteners may be used to secure items in the pocket interior.

[44] In an alternate embodiment of the present invention shown in Figs. 7 and 8, this hand wallet 20 may be constructed from an absorbent cloth material 64 such as terry cloth. Many activities can lead to perspiration; in strenuous activities or during hot periods, sweat may flow into the eyes. By constructing the hand wallet 20 from an absorbent cloth material 64 like terry cloth, the wearer can remove sweat from all portions of the face. This alternate embodiment preferably includes a pocket 66 on the back of the hand as well as a pocket 68 on the palm side of the hand.

[45] The hand wallet 20 itself may be modified or adapted to a particular activity. For example, a compact version that is shorter in coverage of the hand (i.e., fits around the palm and back area of the hand) as shown in Fig. 5, may be appropriate for low impact leisure activity. An alternative version shown in Figs. 6 and 9-13, (i.e., an active wear version), includes a larger palm section 46 that is compatible with high impact training and is capable of being configured with training accessories, such as a hand weight 62 (see Fig. 15) or an integrated drinking bladder 60, 72 or 74 (see Figs. 14 and 19) shown in Figs. 12, 13 and 18. In some cases, the activity may require partial or full finger coverage.

[46] With larger coverage, an active wear version of the hand wallet 20 would enable a larger pocket area that could accommodate a hand weight 62 or drinking bladder 60, 72 or 74. Such a hand weight 62 could be specially designed to wrap around the hand. This hand weight 62 can be made out of neoprene or other appropriate materials. The hand weight 62 can be filled with materials commonly used in the weight training industry. The active wear version pocket 52 could also accommodate a drinking bladder 60, 72 or 74. Such a drinking bladder 60, 72 and 74 would be tailored for the pocket 52 and enable drinking during activities to avoid dehydration. A secondary feature of the stored liquid is to act as a weight during exercise. The active wear version shown in Figs. 9 - 13, is also useful for handling larger items like an infant's feeding bottle or drinking bladder 60, 72 and 74 and does not in anyway limit the usefulness of this version or the previous version.

[47] To enable use of a drinking bladder 60, 72 or 74, the hand wallet includes an opening 50 through which a spout 56 can extend. The spout 56 is preferably designed for easy use



during physical activity but can be of any design which will transport liquid from within the drinking bladder 60, 72 or 74 to the user. For ease of use, the drinking bladder 60, 72 or 74 is preferably a separate item. As shown in Figs. 9 - 13, the pocket 52 is opened using the zipper 28. The pocket 52 is opened and the filled drinking bladder 60, 72 or 74 is placed within the pocket 52 such that the spout 56 can extend through the opening 50. The pocket 52 is then closed using the zipper 28, allowing consumption of the liquid from the drinking bladder 60, 72 or 74.

[48] As shown in detail in Figs 14 and 19, the drinking bladder 60 or 72 is designed to extend on either side of the hand wallet and along both the back and palm side of the hand. Alternatively, the drinking bladder 74 may extend along only one side of the hand. The latter configuration is preferred where the user wishes to use the remaining side for storage of items other than the drinking bladder 74. In either configuration, the drinking bladder 60, 72 or 74 consists of a body 58 and a spout 56. The body 58 is made from a material which is impermeable to liquid and can withstand the intended use of the hand wallet, a flexible plastic is preferred. The spout 56 is preferably made from a durable material such as a hard plastic. The spout can be of any design commonly used for drinking receptacles but preferably includes a means for opening the spout 56 to obtain liquid and for closing the spout 56 such that liquid is retained with the drinking bladder 60, 72 or 74.

[49] Another alternate embodiment is shown in Figs. 16 - 19. The hand wallet 70 in this embodiment is designed to completely surround a storage area, weight or drinking bladder. Figure 16 shows the hand wallet in its opened configuration while Figure 17 shows the hand wallet 70 in the closed configuration. The hand wallet 70 includes a zipper closing 28 (other closing means can be utilized) which joins the ends of the hand wallet 70 forming a storage area inside. The embodiment shown in Figs. 16 - 19 is designed to accept a drinking bladder 72 and includes openings 50 for a spout 56. As shown in Figure 18, the drinking bladder 72 fits within the hand wallet 70 such that the spout extends through the openings 50 to allow access to the liquid within the drinking bladder 72. While this embodiment is shown being used with a drinking bladder 72, it can also accept a weight or other items as desired.

[50] While the description above refers to particular embodiments of the present invention, it will be understood that many modifications may be made without departing from the spirit thereof. The accompanying claims are intended to cover such modifications as would fall within the true scope and spirit of the present invention.

What is claimed is:

- 1           1.       A hand wallet, comprising;  
2           a flexible base with a means for securing the base to a user's extremity; and  
3           a first storage pocket mounted on the outer surface of said base.
  
- 1           2.       The hand wallet as set forth in claim 1 wherein the flexible base is  
2           secured to the user's extremity by use of a strap comprised of two elongate straps  
3           which are connected when secured.
  
- 1           3.       The hand wallet as set forth in claim 2 wherein the two elongate straps  
2           are connected by hook and loop fastener when secured.
  
- 1           4.       The hand wallet as set forth in claim 1 wherein the flexible base is  
2           secured to the user's extremity by use of a zipper.
  
- 1           5.       The hand wallet as set forth in claim 1 wherein the first storage pocket  
2           further includes a means to expand in a vertical direction away from the base.
  
- 1           6.       The hand wallet as set forth in claim 1 wherein the first storage pocket  
2           further includes a closure means to close the first storage pocket.
  
- 1           7.       The hand wallet as set forth in claim 6 wherein the closure means to  
2           close the first storage pocket is selected from the group consisting of a zipper and  
3           hook and loop fastener.
  
- 1           8.       The hand wallet as set forth in claim 1, further comprising:  
2           a protective flap which covers the first storage pocket; and  
3           a fastening means to fasten the protective flap to the base over the first storage  
4           pocket.

1           9.     The hand wallet as set forth in claim 8 wherein the fastening means is  
2 selected from the group consisting of a zipper and hook and loop fastener.

1           10.    The hand wallet as set forth in claim 1 wherein the first storage pocket  
2 extends around the periphery of the base.

1           11.    The hand wallet as set forth in claim 10 wherein the first storage  
2 pocket is adapted to accept a drinking bladder and the first storage pocket further  
3 includes an opening through which a fluid stored in the drinking bladder can be  
4 removed.

1           12.    The hand wallet as set forth in claim 10 wherein the first storage  
2 pocket is adapted to accept a weight.

1           13.    The hand wallet as set forth in claim 1 further comprising:  
2 a second storage pocket mounted on the outer surface of said base.

1           14.    The hand wallet as set forth in claim 13 wherein the second storage  
2 pocket is mounted on the outer surface of said base at a location opposite to the first  
3 storage pocket.

1           15.    The hand wallet as set forth in claim 13 wherein the second storage  
2 pocket further includes an expansion means to expand away from the base.

1           16.    The hand wallet as set forth in claim 15 wherein the expansion means  
2 is an elastic panel incorporated into the second storage pocket.

1           17.    The hand wallet as set forth in claim 13 wherein the second storage  
2 pocket further comprises a restraining means for retaining an item within the second  
3 storage pocket.

1           18.    A hand wallet, comprising;  
2           a flexible base with a means for securing the base to a user's hand;  
3           a first storage pocket mounted on the outer surface of said base and configured  
4 to be located on the back of the user's hand when secured;  
5           a protective flap which covers the first storage pocket;  
6           a fastening means to fasten the protective flap to the base over the first storage  
7 pocket; and  
8           a second storage pocket mounted on the outer surface of said base and  
9 configured to be located on the palm side of the user's hand when secured.

1           19.    The hand wallet as set forth in claim 18 wherein the first storage  
2 pocket further includes a means to expand away from the base and the second storage  
3 pocket further includes a means to expand away from the base.

1           20.    A hand wallet, comprising;  
2           a flexible base with a means for securing the base to a user's hand; and  
3           a first storage pocket mounted on the outer surface of said base wherein  
4                    the first storage pocket extends around the periphery of the  
5                    base;  
6                    the first storage pocket is adapted to accept a drinking bladder;  
7           and  
8                    the first storage pocket further includes an opening through  
9                    which a fluid stored in the drinking bladder can be removed.

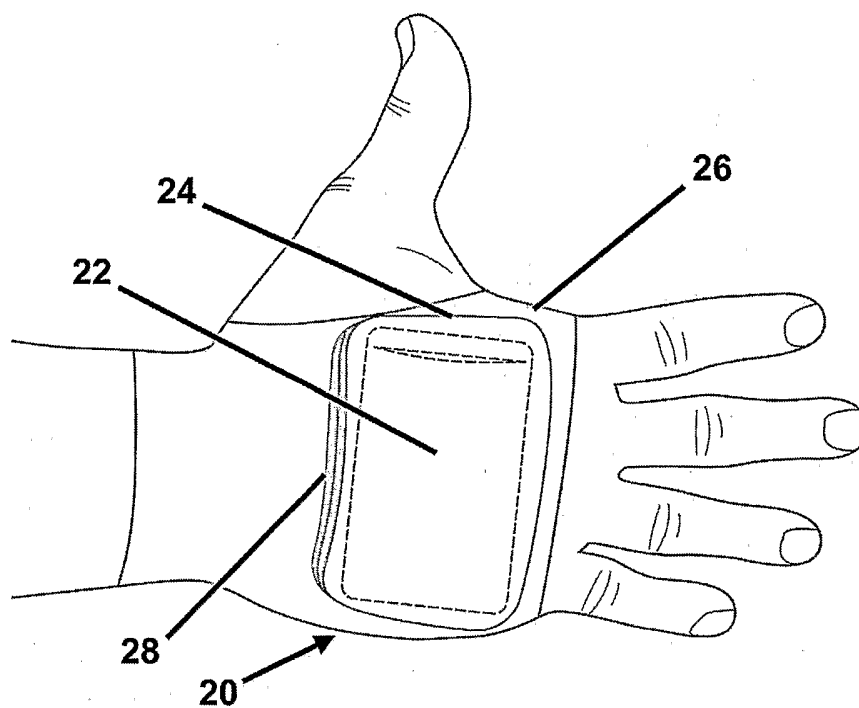


FIG. 1

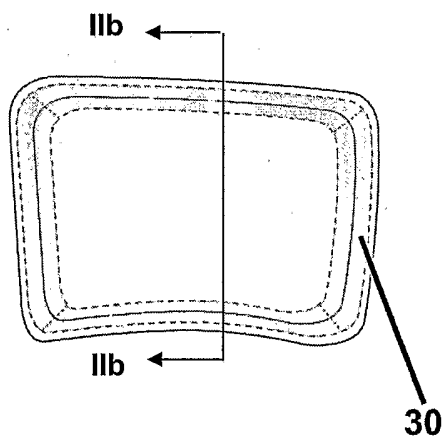


FIG. 2a

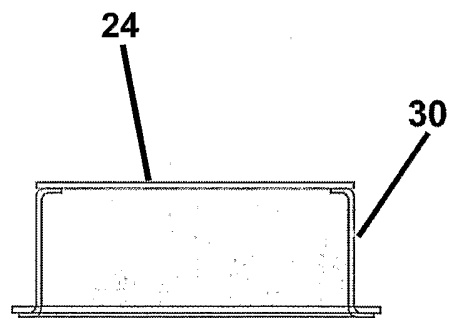


FIG. 2b

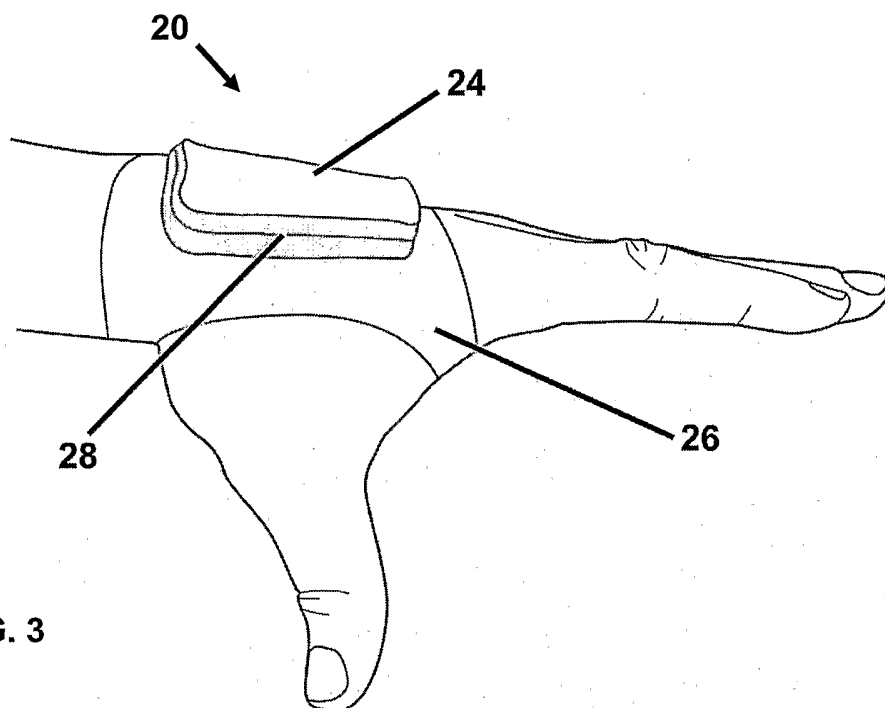


FIG. 3

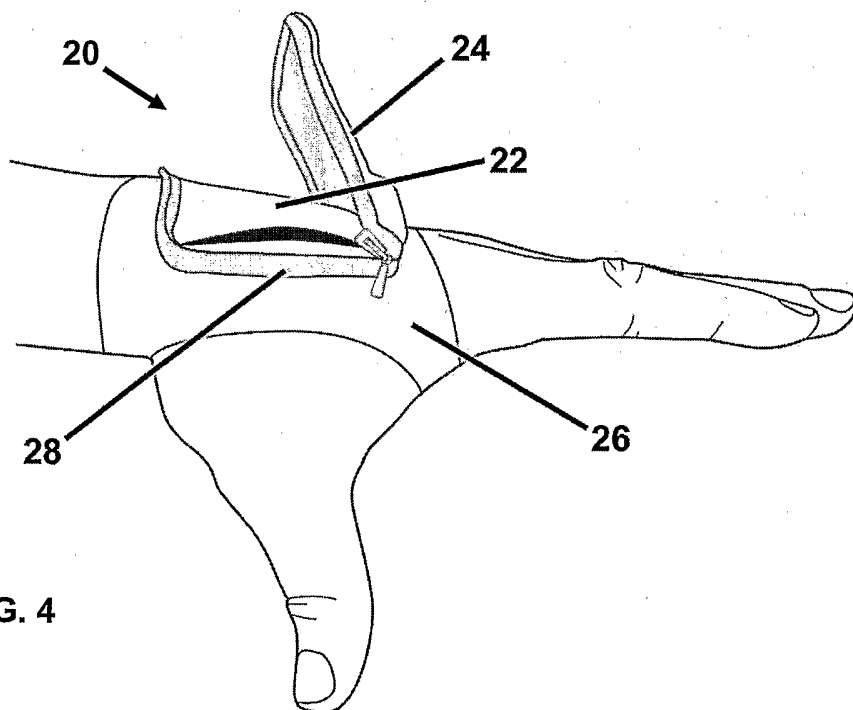
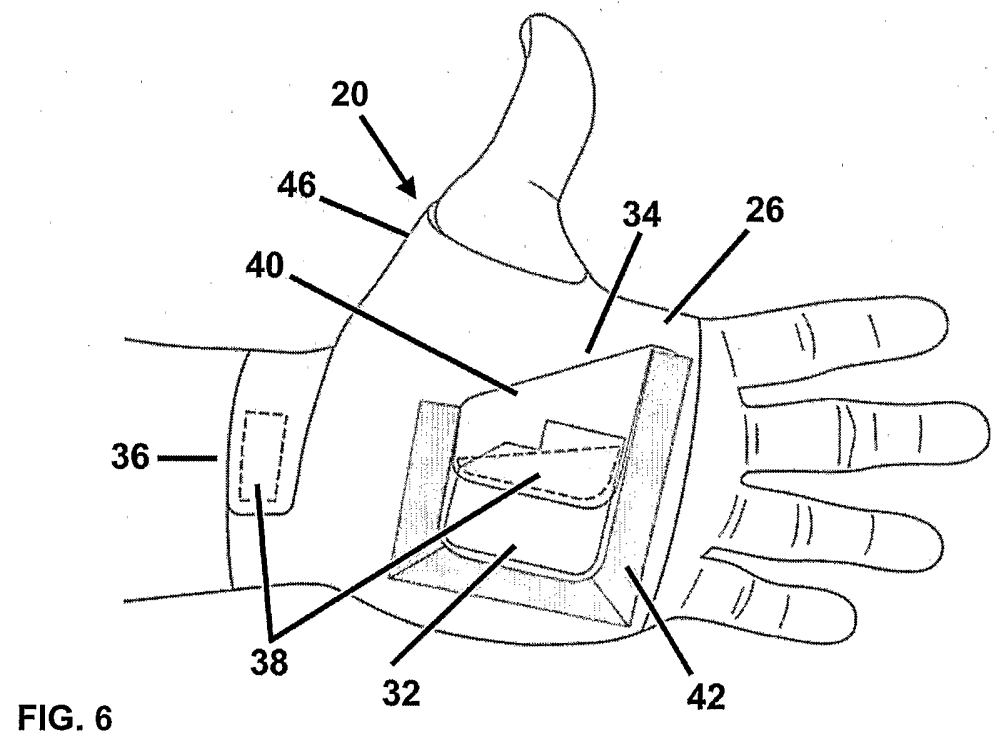
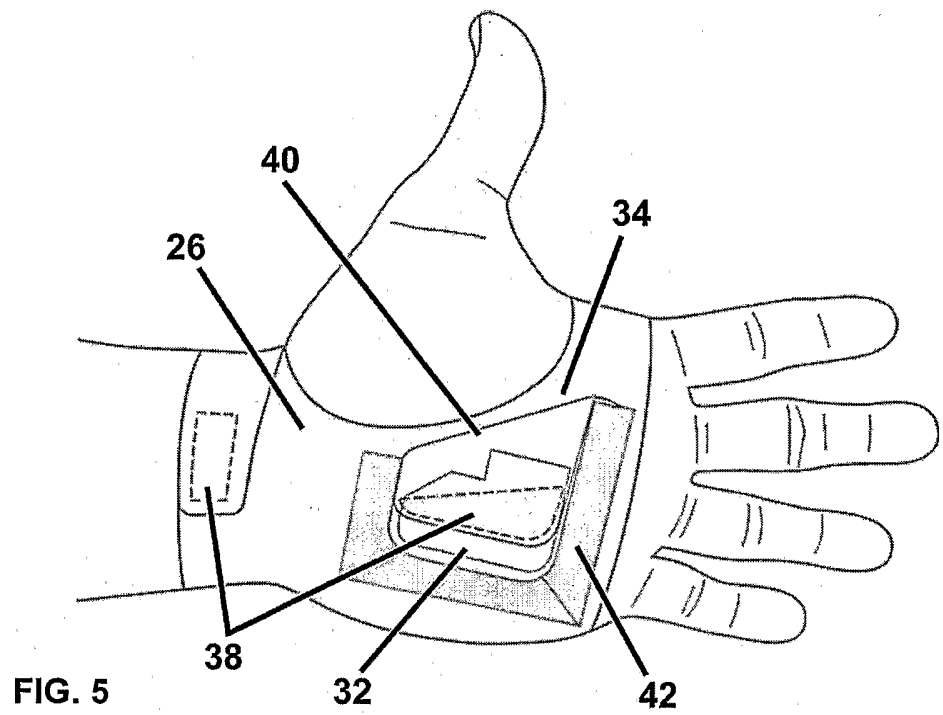


FIG. 4



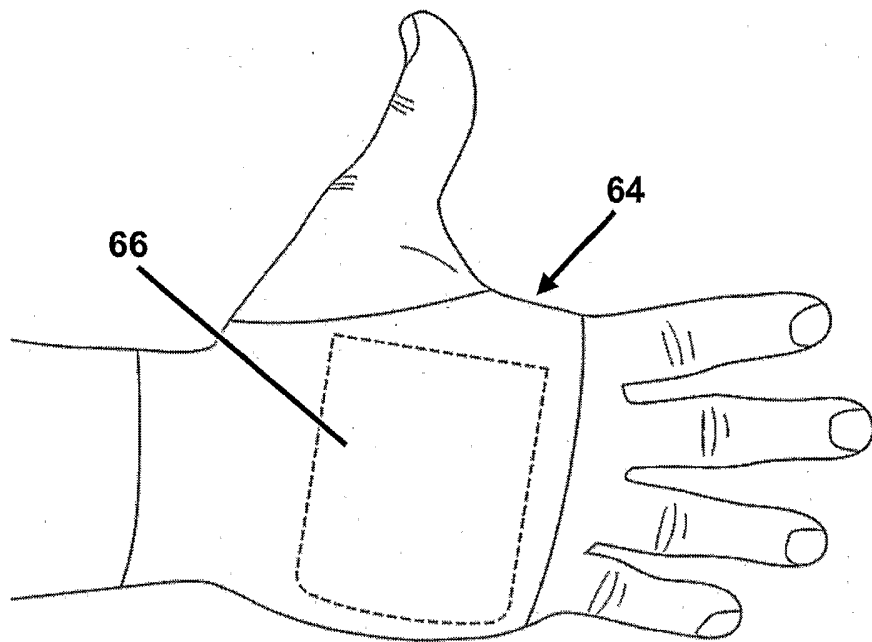


FIG. 7

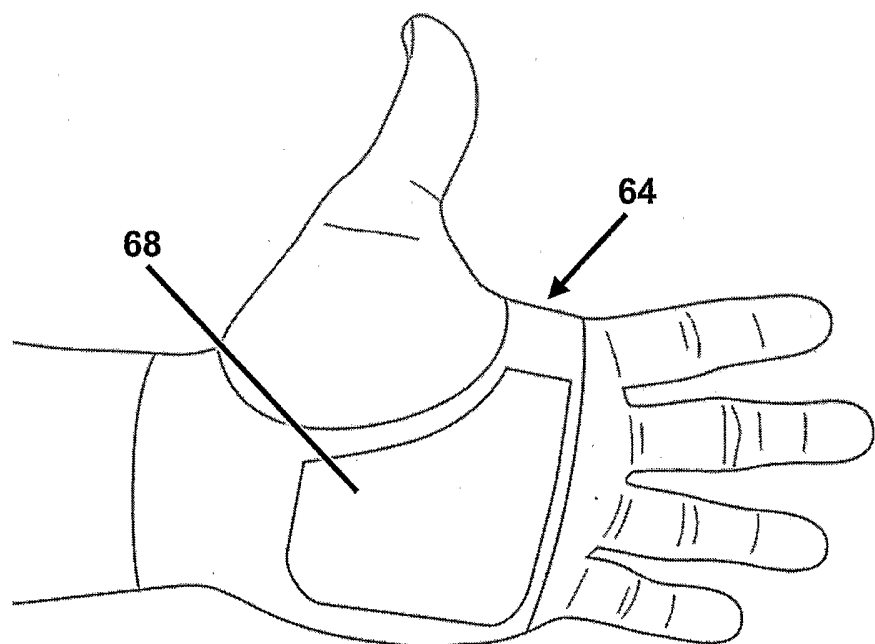


FIG. 8



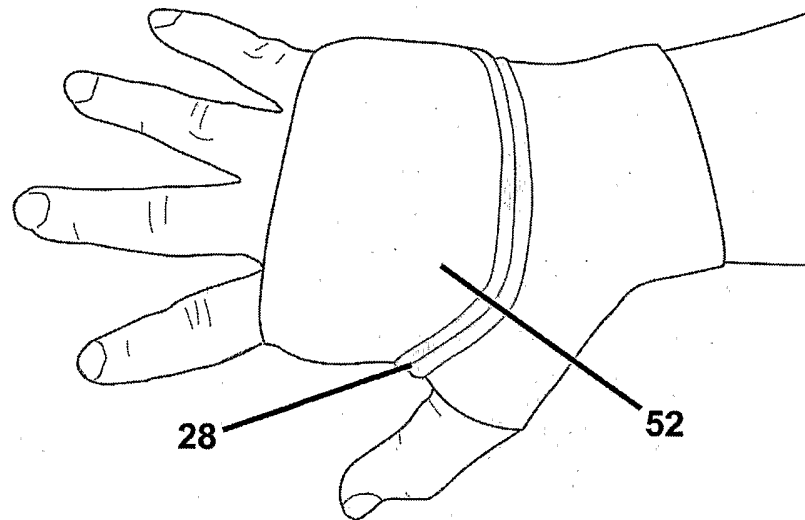


FIG. 9

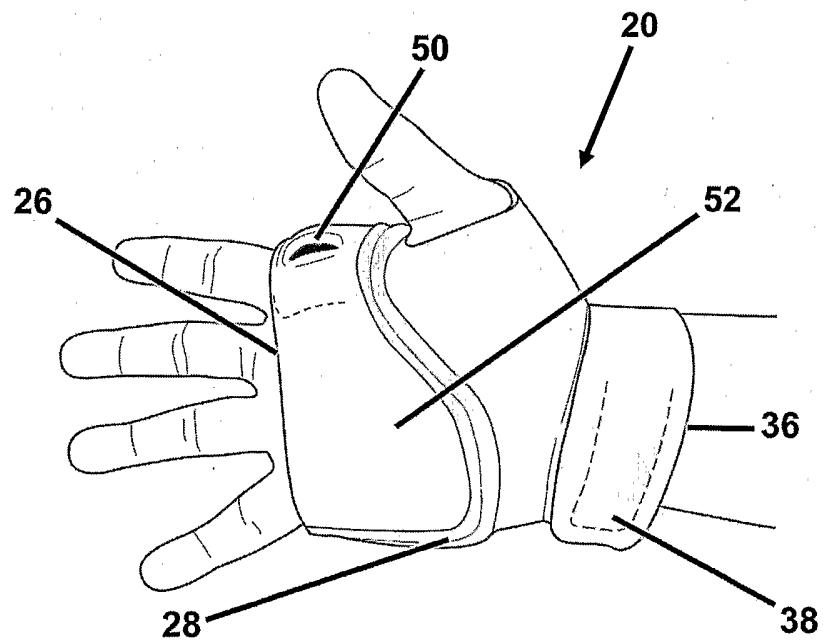


FIG. 10

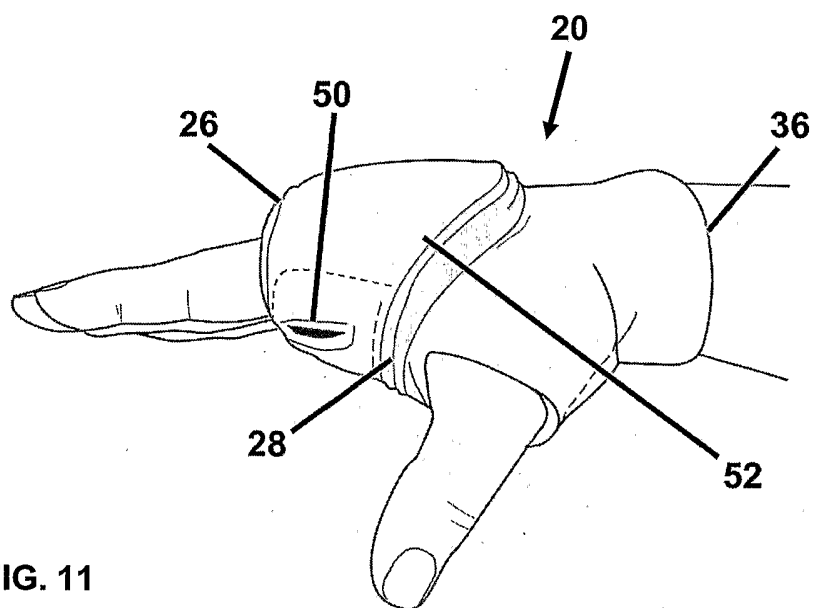


FIG. 11

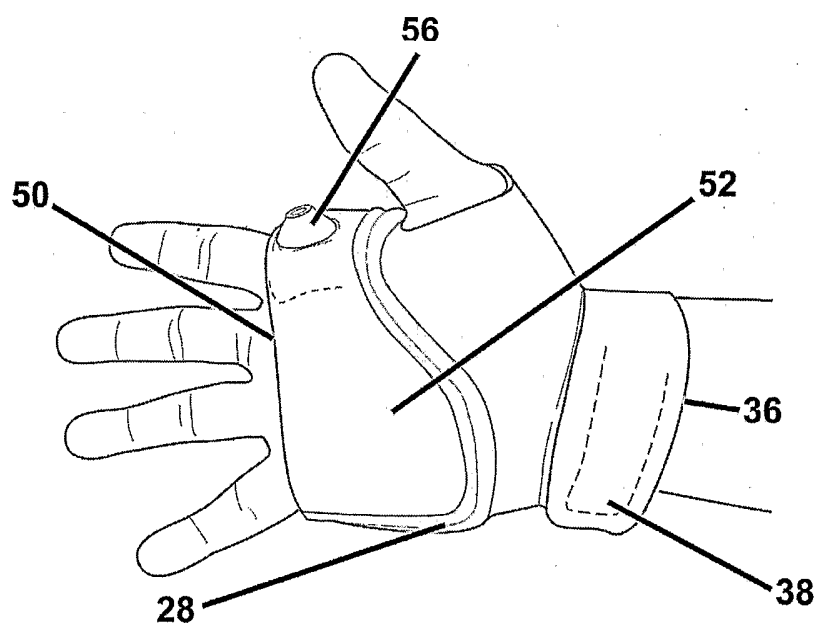


FIG. 12

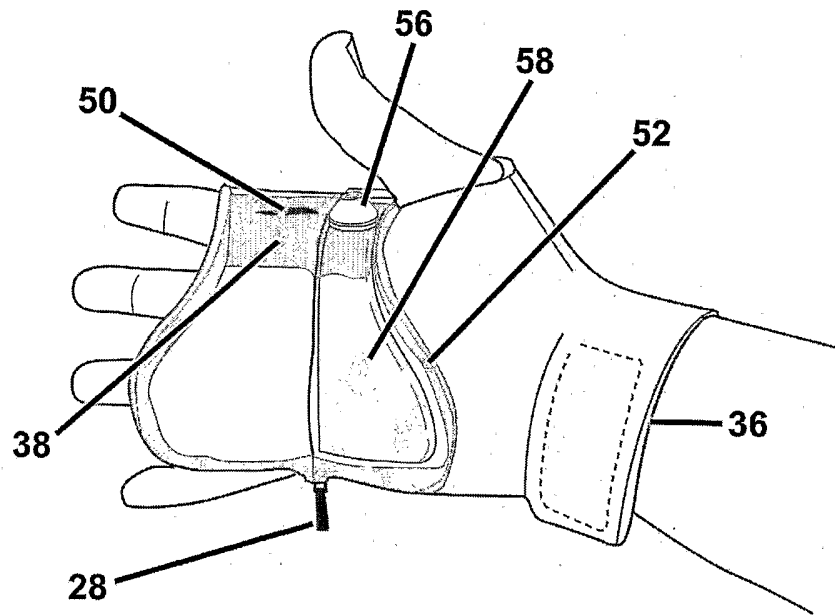


FIG. 13

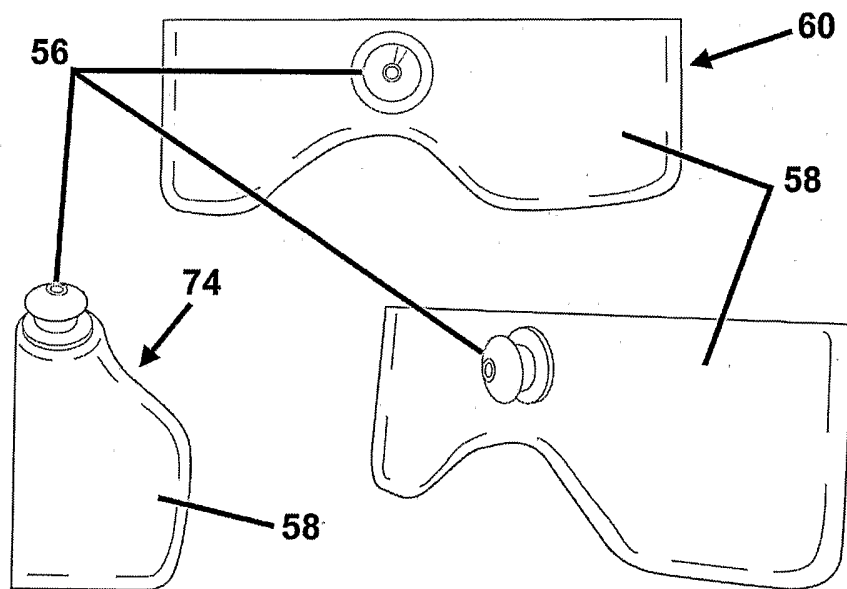


FIG. 14

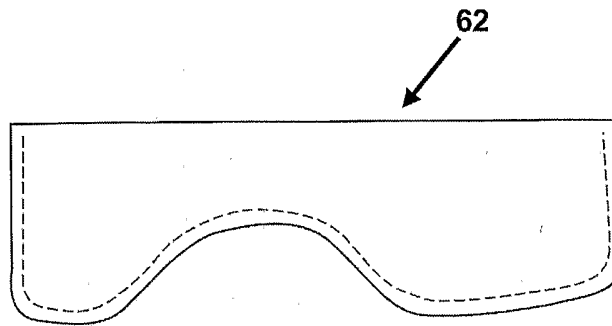


FIG. 15

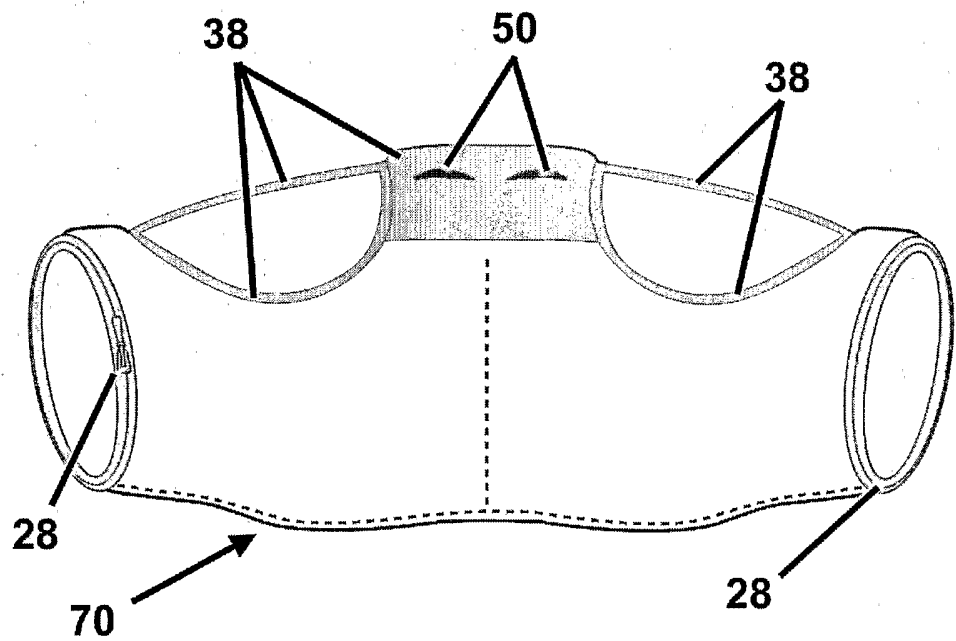


FIG. 16

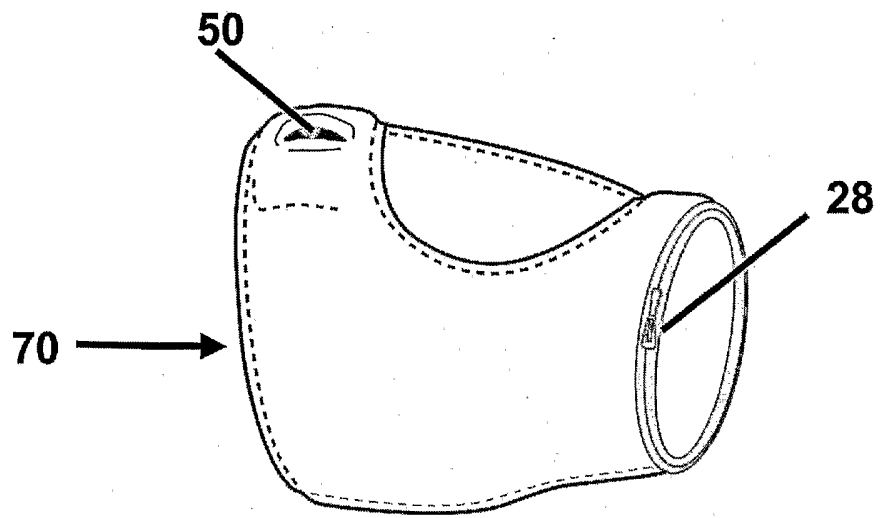


FIG. 17

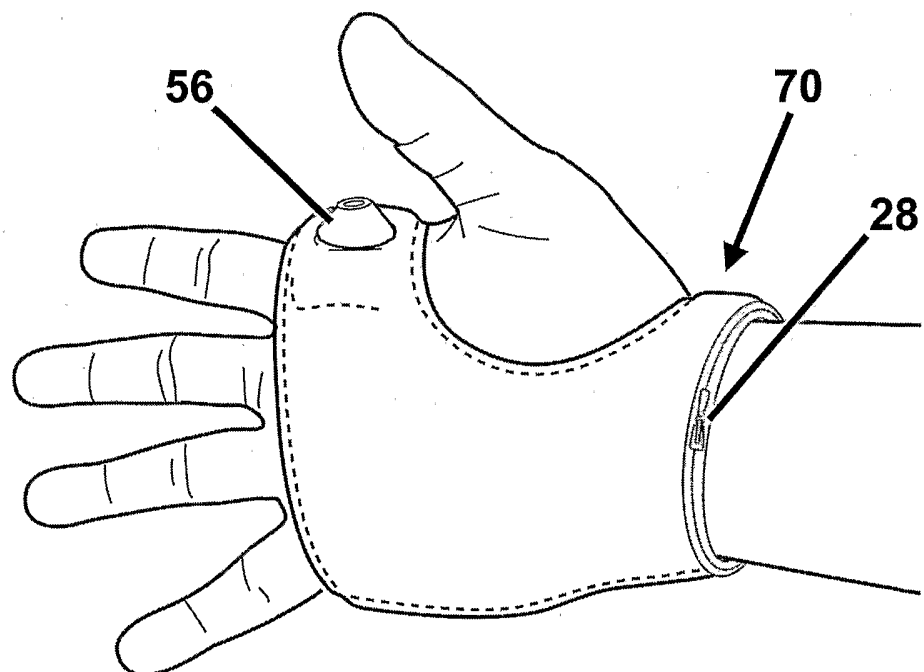


FIG. 18

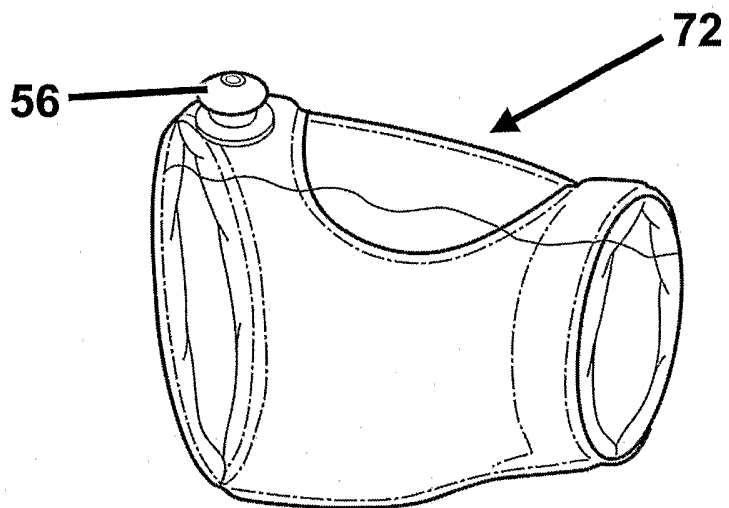


FIG. 19

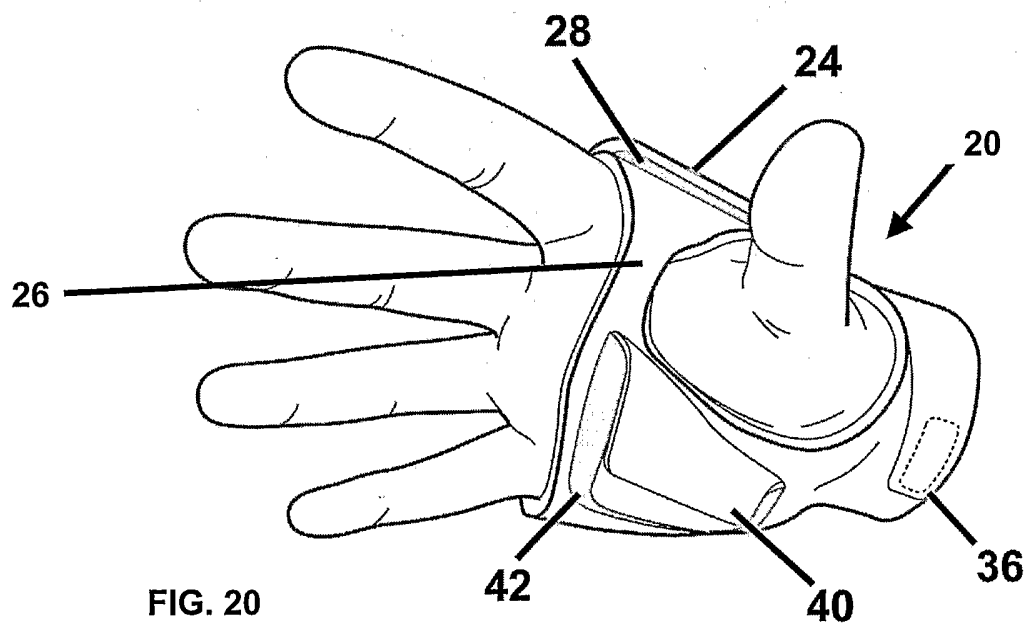


FIG. 20