

(19) World Intellectual Property Organization  
International Bureau



(43) International Publication Date  
2 March 2006 (02.03.2006)

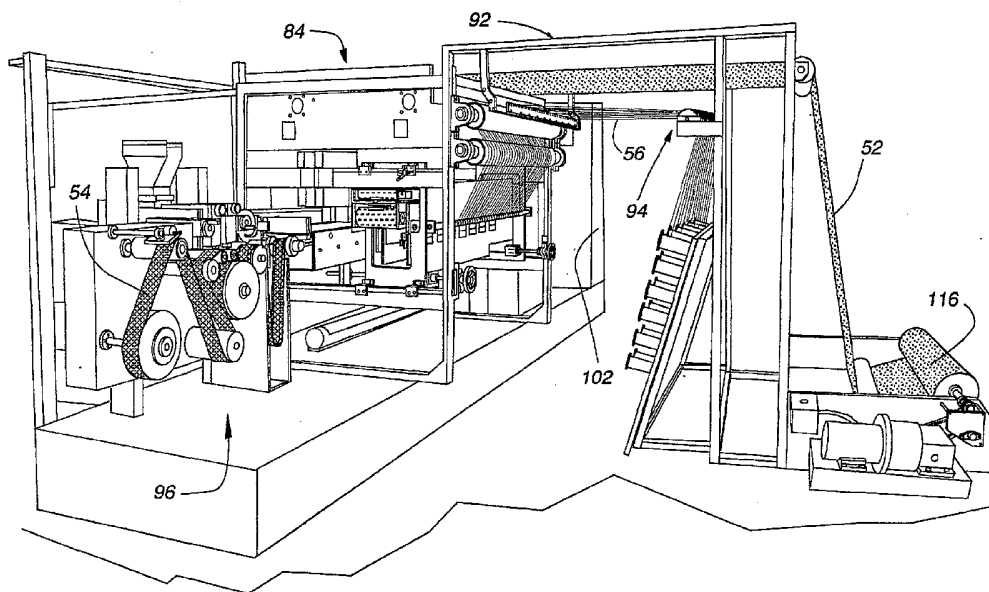
PCT

(10) International Publication Number  
WO 2006/023751 A3

- (51) International Patent Classification<sup>7</sup>: **B23P 19/04**, 17/03, E06B 9/26, 3/12, A47H 5/00
- (74) Agents: **OSMAN, Lee, R.** et al.; Dorsey & Whitney LLP, 370 Seventeenth Street, Suite 4700, Denver, CO 80202-5647 (US).
- (21) International Application Number: PCT/US2005/029593
- (81) Designated States (unless otherwise indicated, for every kind of national protection available): AE, AG, AL, AM, AT, AU, AZ, BA, BB, BG, BR, BW, BY, BZ, CA, CH, CN, CO, CR, CU, CZ, DE, DK, DM, DZ, EC, EE, EG, ES, FI, GB, GD, GE, GH, GM, HR, HU, ID, IL, IN, IS, JP, KE, KG, KM, KP, KR, KZ, LC, LK, LR, LS, LT, LU, LV, MA, MD, MG, MK, MN, MW, MX, MZ, NA, NG, NI, NO, NZ, OM, PG, PH, PL, PT, RO, RU, SC, SD, SE, SG, SK, SL, SM, SY, TJ, TM, TN, TR, TT, TZ, UA, UG, US, UZ, VC, VN, YU, ZA, ZM, ZW.
- (22) International Filing Date: 19 August 2005 (19.08.2005)
- (25) Filing Language: English
- (26) Publication Language: English
- (30) Priority Data: 60/603,375 20 August 2004 (20.08.2004) US
- (71) Applicant (for all designated States except US): **HUNTER DOUGLAS INC.** [US/US]; 2 Park Way, Upper Saddle River, NJ 07458 (US).
- (84) Designated States (unless otherwise indicated, for every kind of regional protection available): ARIPO (BW, GH, GM, KE, LS, MW, MZ, NA, SD, SL, SZ, TZ, UG, ZM, ZW), Eurasian (AM, AZ, BY, KG, KZ, MD, RU, TJ, TM), European (AT, BE, BG, CH, CY, CZ, DE, DK, EE, ES, FI, FR, GB, GR, HU, IE, IS, IT, LT, LU, LV, MC, NL, PL, PT, RO, SE, SI, SK, TR), OAPI (BF, BJ, CF, CG, CI, CM, GA, GN, GQ, GW, ML, MR, NE, SN, TD, TG).
- (72) Inventors; and
- (75) Inventors/Applicants (for US only): **COLSON, Wendell, B.** [US/US]; 14 Byron Road, Weston, MA 02493 (US). **FORGARTY, Daniel, M.** [US/US]; 193 Danforth Street, Framingham, MA 01701 (US). **DANN, Kevin, M.** [US/US]; 746 Trenton Street, Denver, CO 80230 (US). **HARTMAN, David, P.** [US/US]; 2009 Windsor Drive, Framingham, MA 01701 (US). **KOVACH, Joseph, E.** [US/US]; 13981 Downing Street, Denver, CO 80601 (US).
- Published: — with international search report

[Continued on next page]

(54) Title: APPARATUS AND METHOD FOR MAKING A WINDOW COVERING HAVING OPERABLE VANES



(57) Abstract: An apparatus and associated method for manufacturing a window covering 50 for an architectural opening. The apparatus includes a support structure handling assembly 92, an operating element handling assembly 94, and a vane handling assembly 96. The handling assemblies process the respective materials to an assembly station 100 to attach one portion of a vane 54 to the operating elements 56, and another portion of the vane 54 to the support structure 52, allowing movement of one portion of the vane 54 relative to other portion of the vane.

WO 2006/023751 A3



— *before the expiration of the time limit for amending the claims and to be republished in the event of receipt of amendments*

*For two-letter codes and other abbreviations, refer to the "Guidance Notes on Codes and Abbreviations" appearing at the beginning of each regular issue of the PCT Gazette.*

**(88) Date of publication of the international search report:**

13 April 2006

# INTERNATIONAL SEARCH REPORT

International application No.

PCT/US05/29593

**A. CLASSIFICATION OF SUBJECT MATTER**

IPC(7) : B23P 19/04, 17/03; E06B 9/26, 3/12; A47H 5/00  
 US CL : 29/24.5, 24; 160/166.1, 236, 84.01

According to International Patent Classification (IPC) or to both national classification and IPC

**B. FIELDS SEARCHED**

Minimum documentation searched (classification system followed by classification symbols)  
 U.S. : 29/24.5, 24; 160/166.1, 236, 84.01

Documentation searched other than minimum documentation to the extent that such documents are included in the fields searched

Electronic data base consulted during the international search (name of data base and, where practicable, search terms used)  
 EAST

**C. DOCUMENTS CONSIDERED TO BE RELEVANT**

Category *	Citation of document, with indication, where appropriate, of the relevant passages	Relevant to claim No.
A	US 6,484,786 B1(RUGGLES et al.) 26 November 2002 (26.11.2002) Entire document	1-39
A	US 6,112,797 A (Colson et al.) 05 September 2000 (05.09.2000) Entire document	1-39
A	US 5,558,925 A (Fritzman) 24 September 1996 (24.09.1996) Entire document	1-39

Further documents are listed in the continuation of Box C.

See patent family annex.

<p>* Special categories of cited documents.</p> <p>"A" document defining the general state of the art which is not considered to be of particular relevance</p> <p>"E" earlier application or patent published on or after the international filing date</p> <p>"L" document which may throw doubts on priority claim(s) or which is cited to establish the publication date of another citation or other special reason (as specified)</p> <p>"O" document referring to an oral disclosure, use, exhibition or other means</p> <p>"P" document published prior to the international filing date but later than the priority date claimed</p>	<p>"T" later document published after the international filing date or priority date and not in conflict with the application but cited to understand the principle or theory underlying the invention</p> <p>"X" document of particular relevance; the claimed invention cannot be considered novel or cannot be considered to involve an inventive step when the document is taken alone</p> <p>"Y" document of particular relevance; the claimed invention cannot be considered to involve an inventive step when the document is combined with one or more other such documents, such combination being obvious to a person skilled in the art</p> <p>"&amp;" document member of the same patent family</p>
---	---

Date of the actual completion of the international search

11 January 2006 (11.01.2006)

Date of mailing of the international search report

08 FEB 2006

Name and mailing address of the ISA/US

Mail Stop PCT, Attn: ISA/US  
 Commissioner for Patents  
 P.O. Box 1450  
 Alexandria, Virginia 22313-1450

Facsimile No. (571) 273-3201

Authorized officer

for  
 David Bryant *Virginia Lily*  
 Telephone No. 703-308-1148