



US00D883232S

(12) **United States Design Patent**
Boffelli et al.

(10) **Patent No.:** **US D883,232 S**

(45) **Date of Patent:** **** May 5, 2020**

- (54) **SWITCH WITH A COVER PLATE**
- (71) Applicant: **ABB Schweiz AG**, Baden (CH)
- (72) Inventors: **Carlo Boffelli**, Dalmine (IT); **Andrea Bianco**, Sesto San Giovanni (IT)
- (73) Assignee: **ABB Schweiz AG**, Baden (CH)
- (**) Term: **15 Years**
- (21) Appl. No.: **29/675,297**
- (22) Filed: **Dec. 31, 2018**
- (51) **LOC (12) Cl.** **13-03**
- (52) **U.S. Cl.**
USPC **D13/158**
- (58) **Field of Classification Search**
USPC D13/158, 162, 177, 178
CPC H01H 3/38; H01H 3/46; H01H 9/0207;
H01H 9/30; H01H 9/542; H01H 9/56;
H01H 85/25; H01H 33/04; H01H 33/666;
H01H 33/6662; H02B 11/133; H02B
11/167
See application file for complete search history.

(56) **References Cited**

U.S. PATENT DOCUMENTS

D589,002	S *	3/2009	Magoni	D13/160
D777,116	S *	1/2017	Boffelli	D13/158
9,779,891	B1 *	10/2017	Ashtekar	H02B 11/10
D812,018	S *	3/2018	Boffelli	D13/158
D837,751	S *	1/2019	Boffelli	D13/177
D864,129	S *	10/2019	McCarthy	D13/177
2007/0252667	A1 *	11/2007	Zhou	H01H 3/227 335/16
2008/0296138	A1 *	12/2008	Chen	H01H 71/44 200/400
2009/0009933	A1 *	1/2009	Rambo	H02B 11/133 361/606

2009/0200270	A1 *	8/2009	Chen	H01H 33/6606 218/119
2011/0155697	A1 *	6/2011	Lee	H01H 33/022 218/140
2012/0320487	A1 *	12/2012	Cortinovis	H01H 33/666 361/115
2014/0138357	A1 *	5/2014	Kasza	H01H 11/00 218/134
2015/0101913	A1 *	4/2015	Benke	B62B 3/008 200/50.23
2015/0114807	A1 *	4/2015	Benke	H02B 11/167 200/50.23
2015/0262767	A1 *	9/2015	Benke	H01H 71/12 200/50.27
2015/0332883	A1 *	11/2015	Benke	H01H 71/125 335/9
2016/0099552	A1 *	4/2016	Sims	E05B 65/46 361/609
2016/0141117	A1 *	5/2016	Ashtekar	H01H 1/0015

(Continued)

Primary Examiner — Selina Sikder
(74) *Attorney, Agent, or Firm* — Taft Stettinius & Hollister LLP; J. Bruce Schelkopf

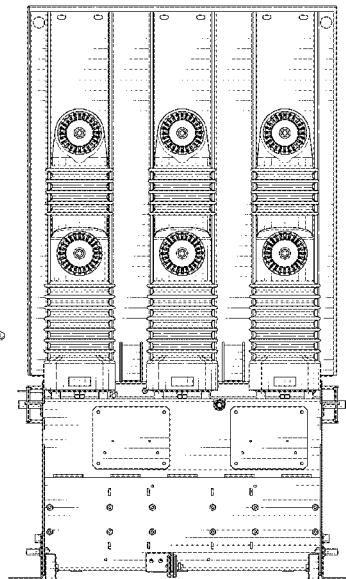
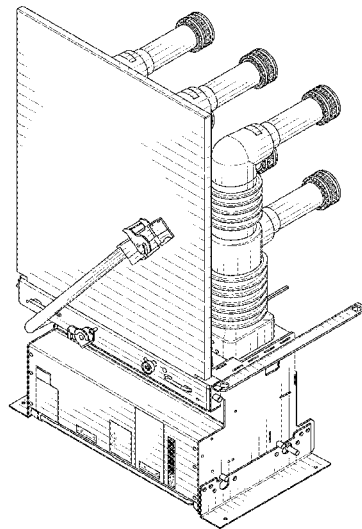
(57) **CLAIM**

The ornamental design for a switch with a cover plate, as shown and described.

DESCRIPTION

FIG. 1 is a front perspective view of the switch with a cover plate;
FIG. 2 is a front elevation view thereof;
FIG. 3 is a rear elevation view thereof;
FIG. 4 is a right side elevation view thereof;
FIG. 5 is a left side elevation view thereof;
FIG. 6 is a top plan view thereof; and,
FIG. 7 is a bottom plan view thereof.
The broken lines shown in FIG. 2 view is for depicting portions of the switch with a cover plate that form no part of the claimed design.

1 Claim, 7 Drawing Sheets



(56)

References Cited

U.S. PATENT DOCUMENTS

2016/0203924 A1* 7/2016 Bianco H01H 9/56
307/127
2016/0301196 A1* 10/2016 Hanna H02B 11/127
2017/0179692 A1* 6/2017 Farina H01H 3/161
2018/0151309 A1* 5/2018 Huang H01H 3/227
2018/0218851 A1* 8/2018 Bianco H05K 1/028
2018/0350538 A1* 12/2018 Delpozso H01H 33/66207
2018/0358791 A1* 12/2018 Robinson H01H 71/0264

* cited by examiner

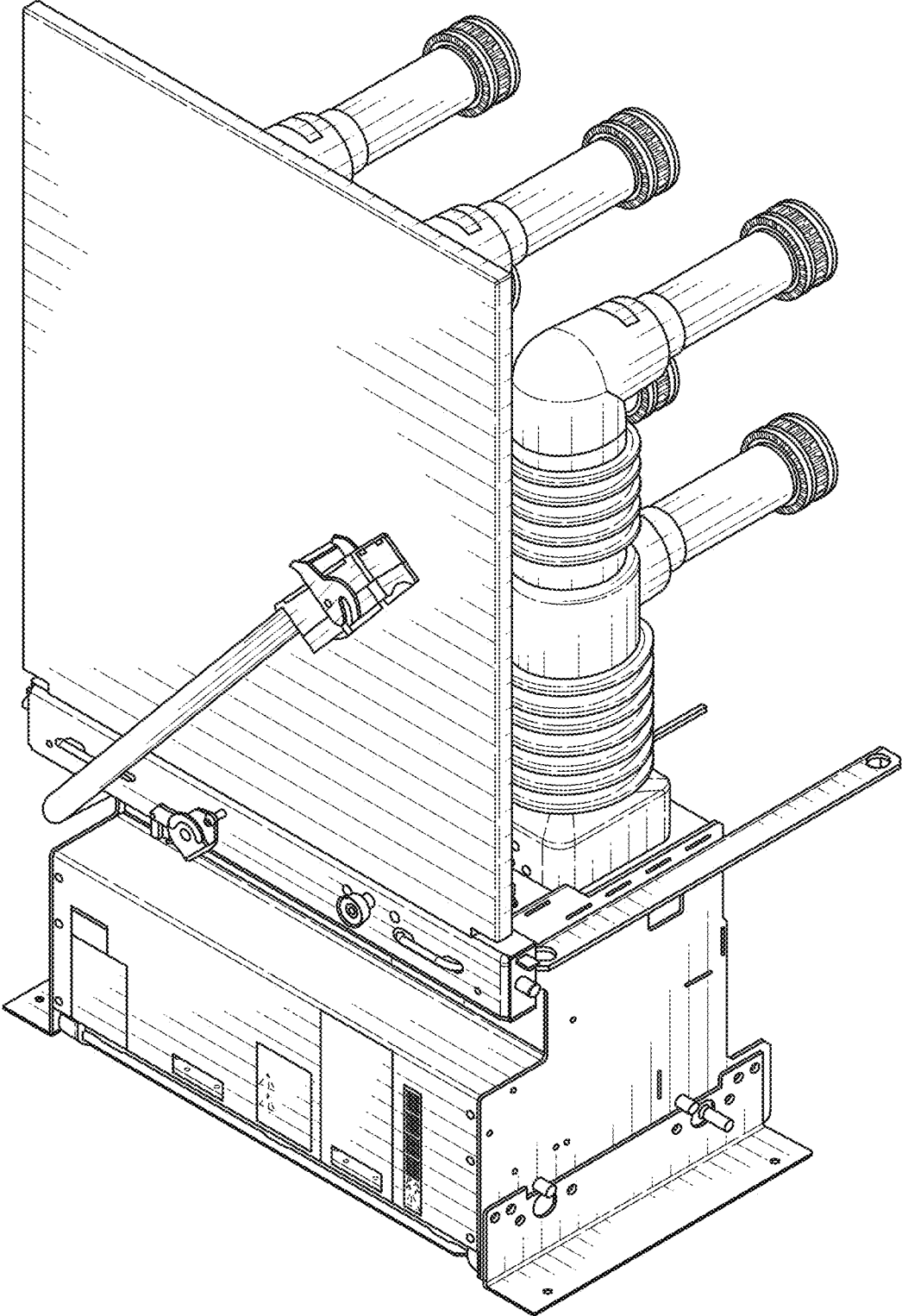


FIG. 1

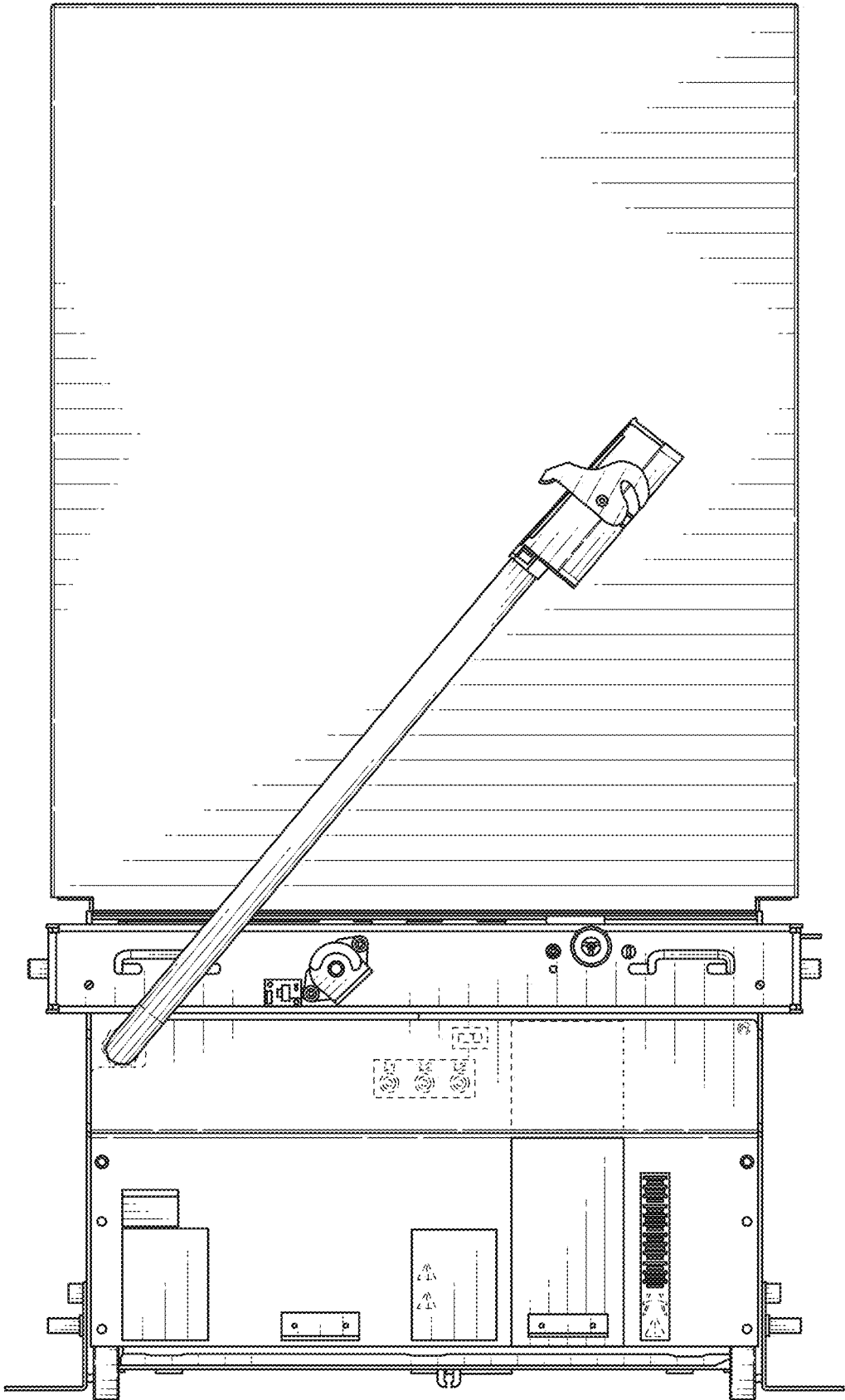


FIG. 2

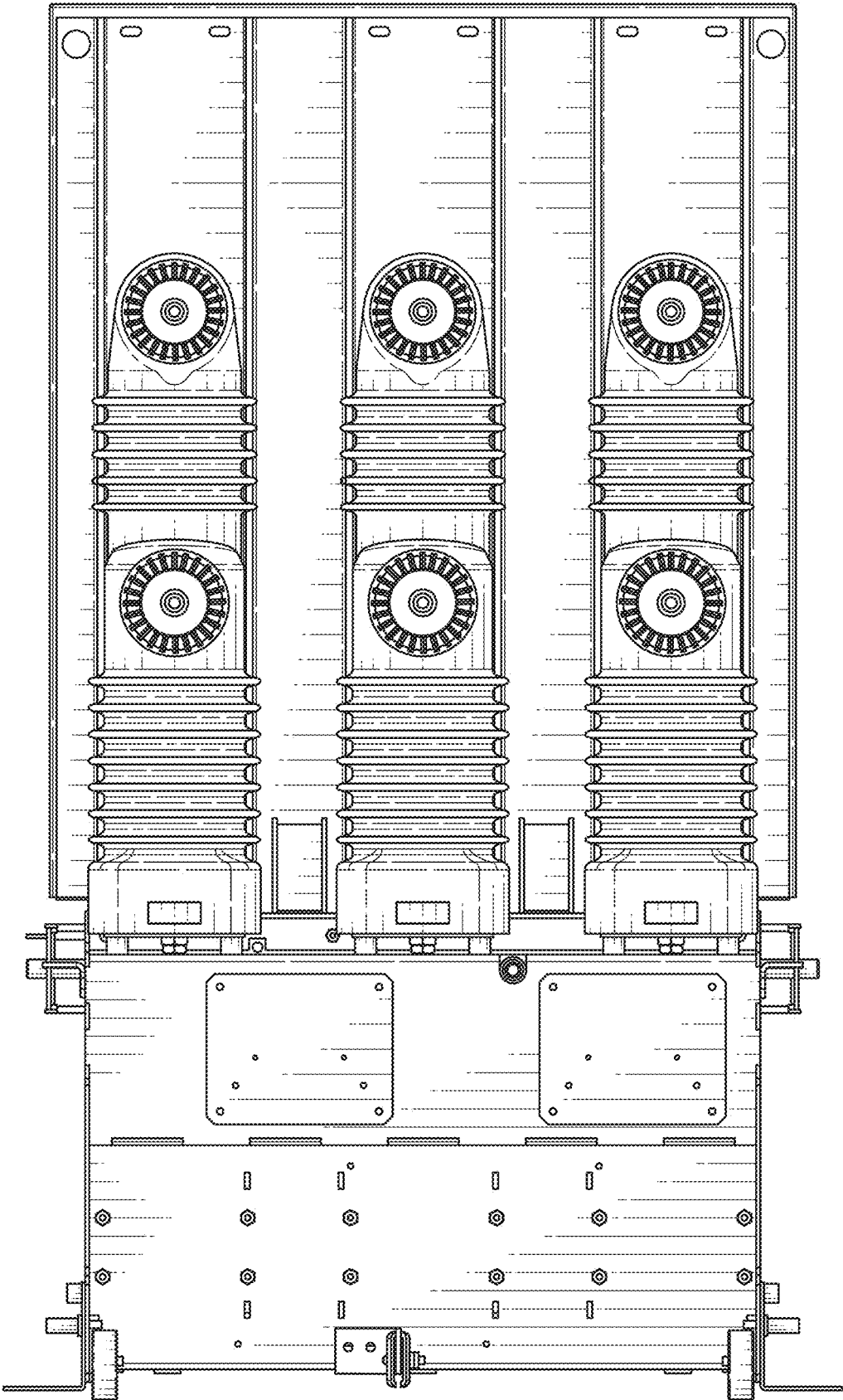


FIG. 3

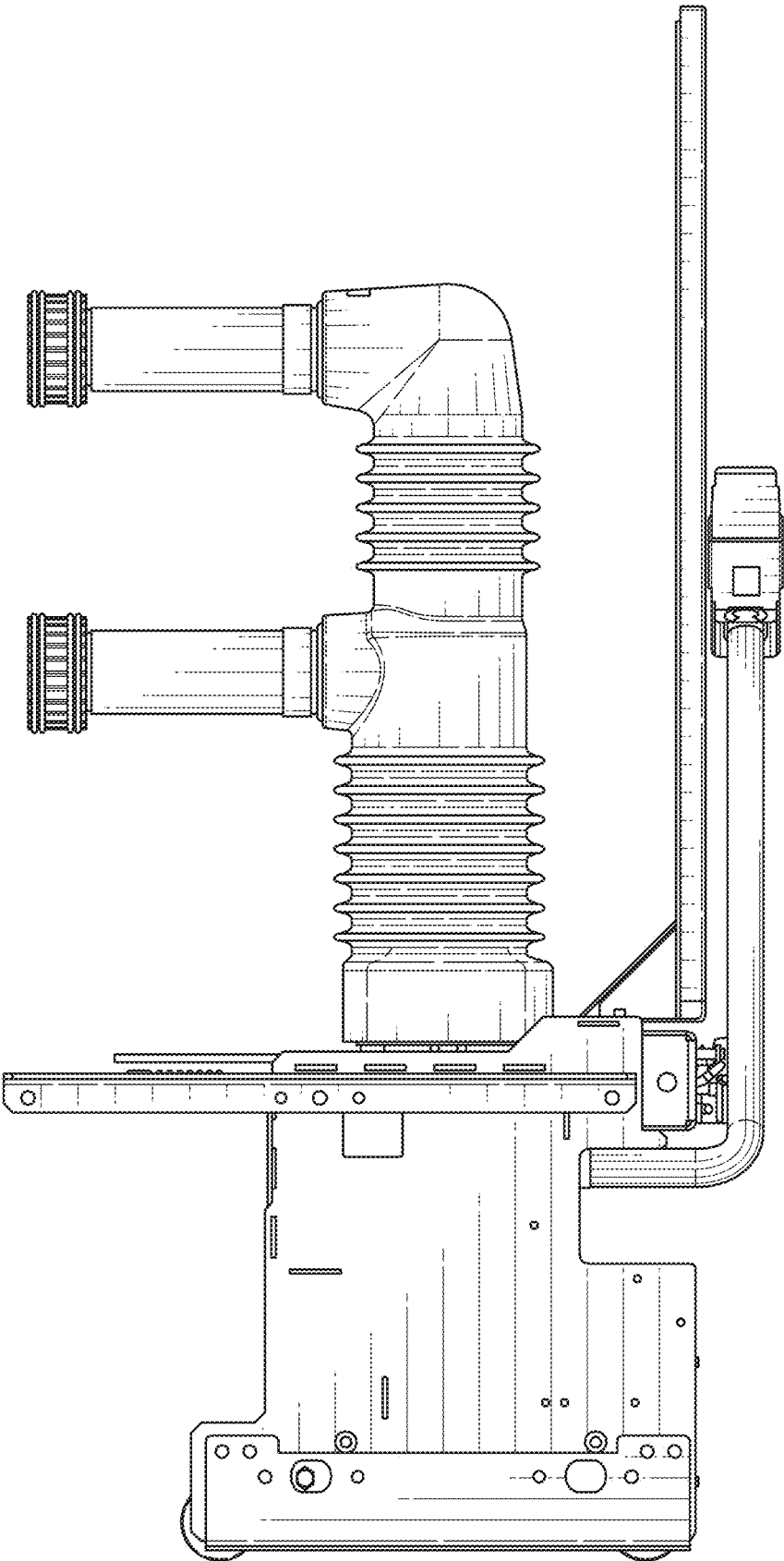


FIG. 4

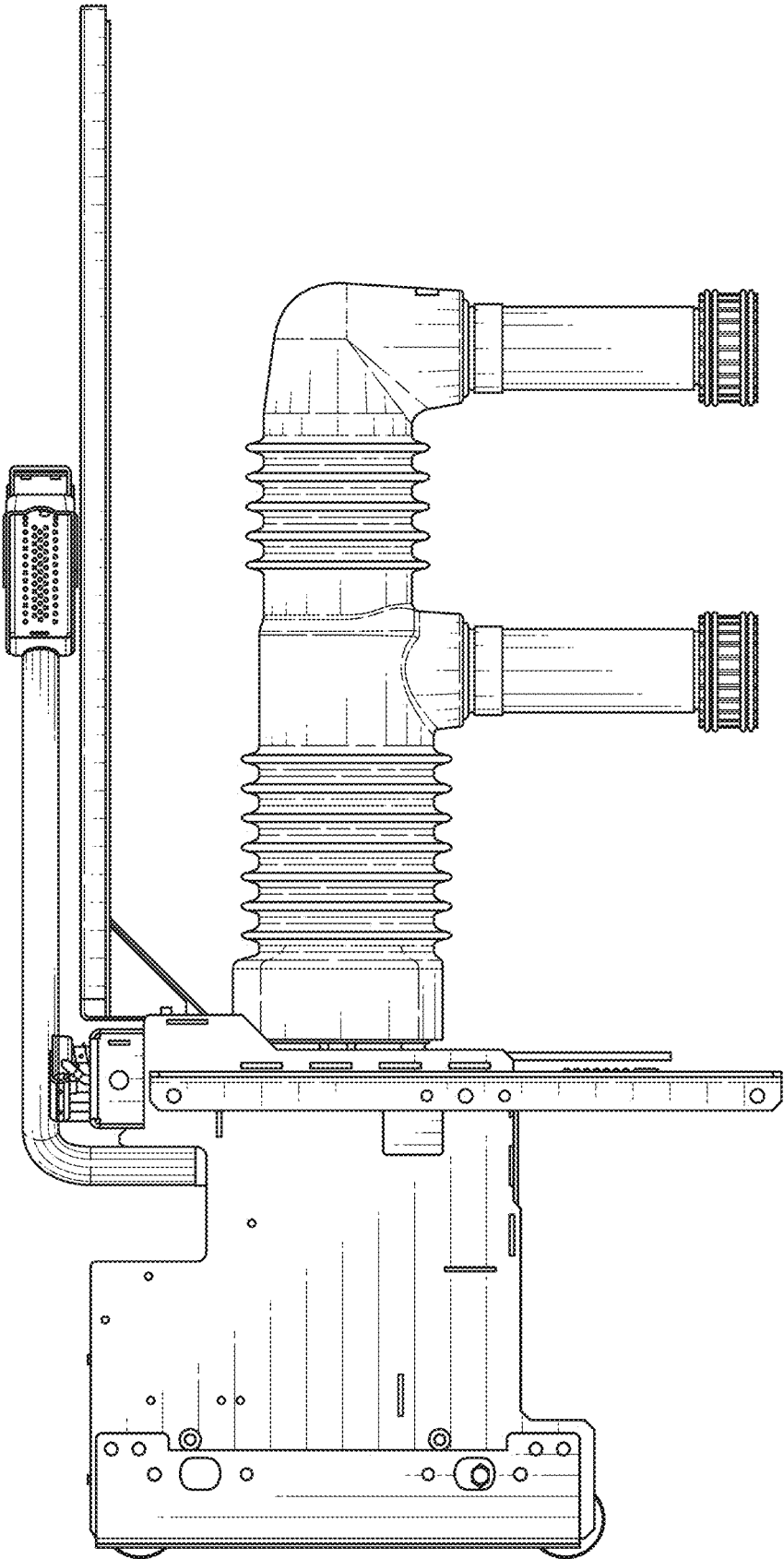


FIG. 5

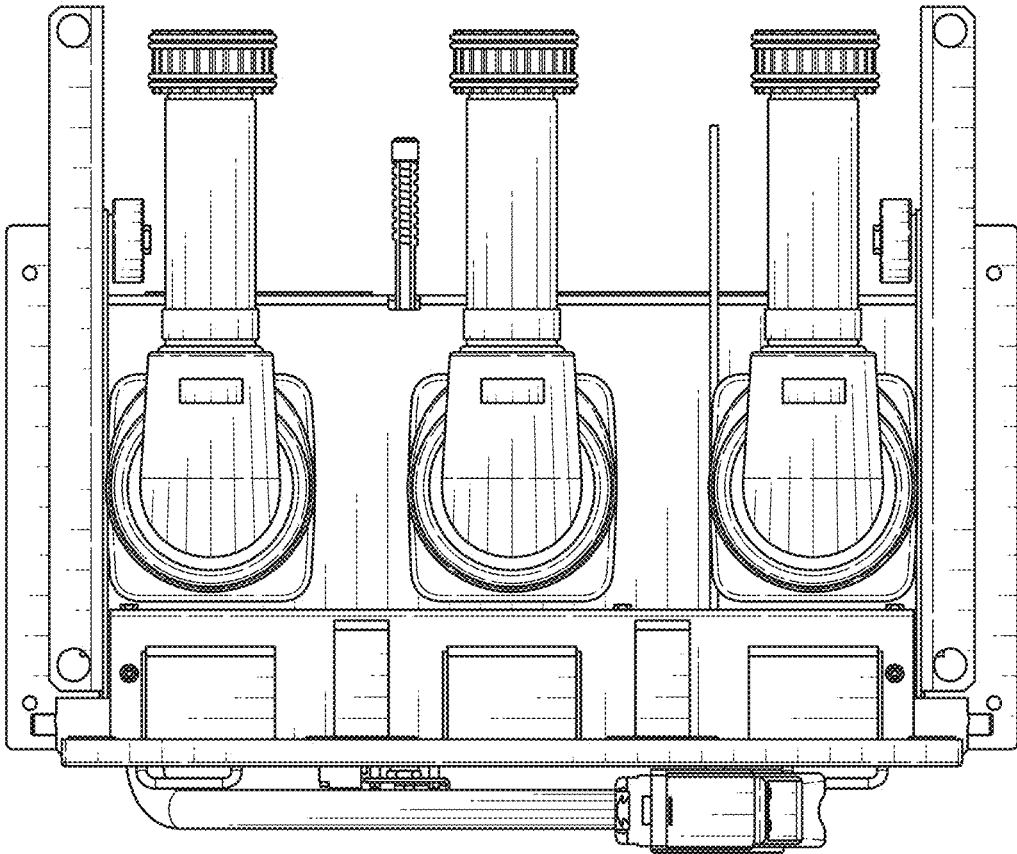


FIG. 6

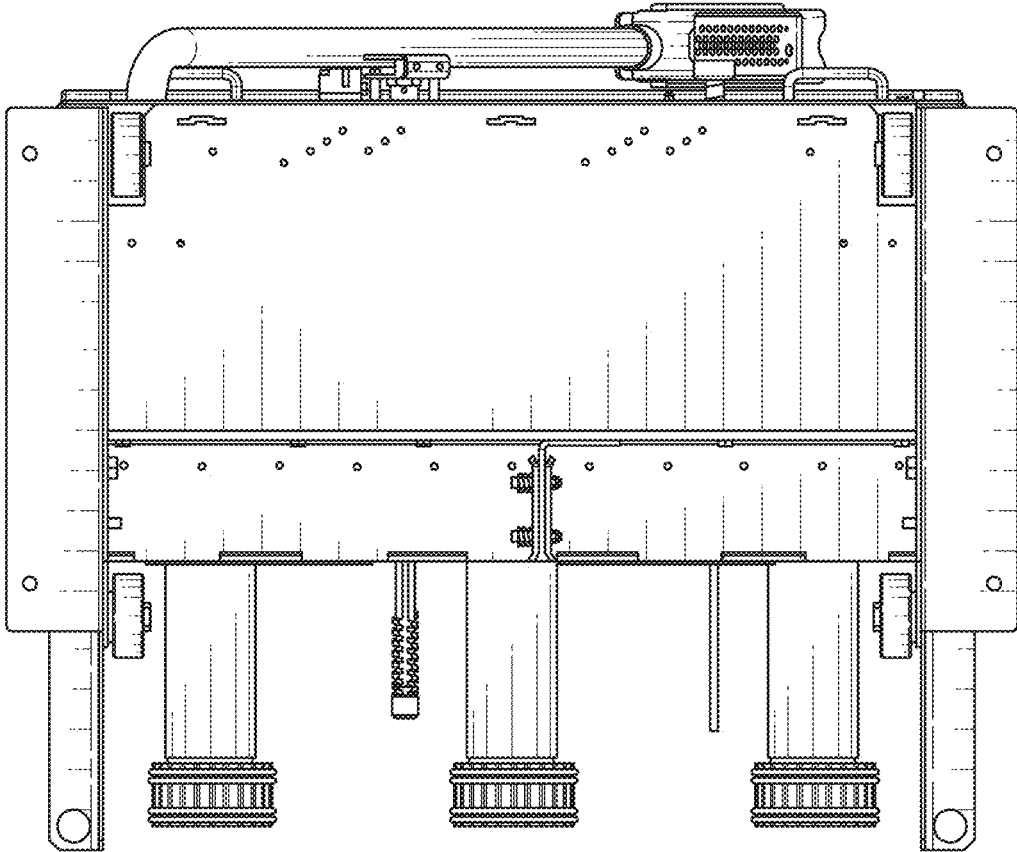


FIG. 7