



US00D891755S

(12) **United States Design Patent**  
**Prioleau**

(10) **Patent No.:** **US D891,755 S**

(45) **Date of Patent:** **\*\* Aug. 4, 2020**

- (54) **POCKET-SIZE CONTAINER FOR URETHRAL SUPPOSITORIES**
- (71) Applicant: **John R. Prioleau**, Ravenel, SC (US)
- (72) Inventor: **John R. Prioleau**, Ravenel, SC (US)
- (\*\*) Term: **15 Years**
- (21) Appl. No.: **29/671,456**
- (22) Filed: **Nov. 27, 2018**
- (51) **LOC (12) Cl.** ..... **03-01**
- (52) **U.S. Cl.**  
USPC ..... **D3/203.1**
- (58) **Field of Classification Search**  
USPC ..... D3/201, 203.1, 203.2, 203.3, 205, 206,  
D3/273, 294; D9/700, 414, 420, 426;  
D28/83  
CPC ... B65D 1/09; B65D 3/00; B65D 5/66; B65D  
5/6655; B65D 11/00; B65D 25/10; B65D  
75/00; B65D 83/00; B65D 83/02; B65D  
85/08; A61J 1/00; A61J 1/05; A61J 1/165  
See application file for complete search history.

5,865,314	A	*	2/1999	Jacober	.....	A61J 1/165
						150/117
D413,017	S	*	8/1999	Masoud	.....	D3/201
D423,772	S	*	5/2000	Cooper	.....	D3/201
D425,294	S	*	5/2000	Haverstick	.....	D3/203.1
D427,425	S	*	7/2000	St.ang.hl	.....	D3/203.1
D430,727	S	*	9/2000	Wisniewski	.....	D3/201
6,119,892	A		9/2000	Laurent et al.		
D431,902	S	*	10/2000	Mellin	.....	D3/203.1
D478,689	S	*	8/2003	Thorpe	.....	D28/83
D487,192	S	*	3/2004	Farnham	.....	D3/294
D491,358	S	*	6/2004	Hofman	.....	D3/273
D516,801	S	*	3/2006	Jones, III	.....	D3/203.2
D525,488	S	*	7/2006	McWhorter	.....	D3/294
D527,182	S	*	8/2006	Ham	.....	D3/274
D531,025	S	*	10/2006	Tanner	.....	D9/426

(Continued)

Primary Examiner — Steven J Czyz

(74) *Attorney, Agent, or Firm* — Suzanne Kikel, Patent Agent

(57) **CLAIM**

The ornamental design for a pocket-size container for urethral suppositories, as shown and described.

**DESCRIPTION**

FIG. 1 is a perspective view of a pocket-size container for urethral suppositories in an open position, showing my new design.

FIG. 2 is a perspective view of the pocket-size container for urethral suppositories of FIG. 1 in a closed position.

FIG. 3 is a front view thereof.

FIG. 4 is a rear view thereof.

FIG. 5 is a right side elevational view thereof.

FIG. 6 is a left side elevational view thereof.

FIG. 7 is a top plan view thereof; and,

FIG. 8 is a bottom plan view thereof.

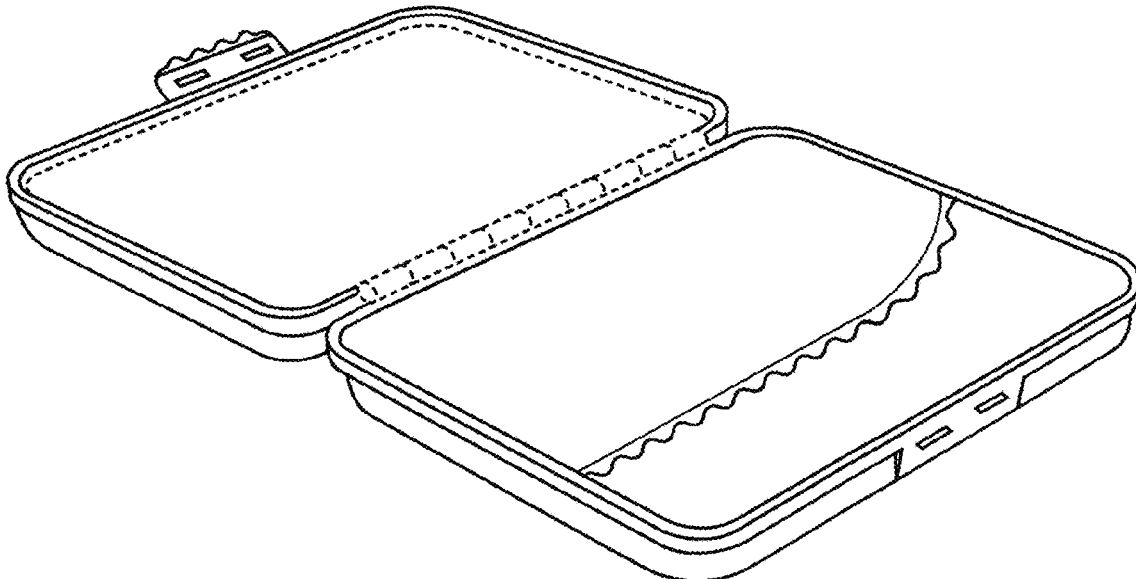
The broken lines depict portions of the article that form no part of the claimed design.

**1 Claim, 5 Drawing Sheets**

(56) **References Cited**

U.S. PATENT DOCUMENTS

D144,278	S	*	3/1946	Wohl et al.	.....	206/256
3,690,315	A		9/1972	Chittenden et al.		
D262,151	S	*	12/1981	Sussman	.....	D28/83
D269,249	S	*	6/1983	Cillario	.....	D9/424
273,533	A		4/1984	Weinreb		
4,454,889	A	*	6/1984	Contreras, Sr.	.....	A45C 11/22
						132/301
284,715	A		7/1986	Jacober et al.		
299,406	A		1/1989	Jacober		
4,863,034	A	*	9/1989	Contreras, Sr.	.....	A45D 40/22
						206/581
D333,727	S	*	3/1993	Schurman	.....	D3/292
D367,211	S	*	2/1996	Cautereels	.....	D3/294
D376,690	S	*	12/1996	Lockerby	.....	D3/273



(56)

## References Cited

## U.S. PATENT DOCUMENTS

D540,035 S \* 4/2007 Gerard ..... D3/263  
D548,970 S \* 8/2007 Huang ..... D3/294  
D565,298 S \* 4/2008 Braun ..... D3/273  
D565,842 S \* 4/2008 Falcone ..... D3/294  
D566,395 S \* 4/2008 Langer ..... D3/294  
D570,114 S \* 6/2008 Netz ..... D3/294  
D592,398 S \* 5/2009 Roesler ..... D3/294  
D592,399 S \* 5/2009 Sage ..... D3/295  
D593,316 S \* 6/2009 Ruwiel ..... D3/203.2  
D629,608 S \* 12/2010 Hong ..... D3/294  
D630,505 S \* 1/2011 Westemeyer ..... D9/426  
D672,952 S \* 12/2012 Yang ..... D3/247  
D673,366 S \* 1/2013 Schumann ..... D3/294  
D675,434 S \* 2/2013 Vernall ..... D3/294  
D693,999 S \* 11/2013 Alexander ..... D3/203.2  
D694,102 S \* 11/2013 Bellamah ..... D9/424  
D706,643 S \* 6/2014 Akana ..... D9/432  
D709,384 S \* 7/2014 Vural ..... D9/721  
D720,526 S \* 1/2015 Lopez-Stout ..... D3/205  
D731,793 S \* 6/2015 Houghton ..... D3/294  
D735,476 S \* 8/2015 Duvigneau ..... D3/294  
D735,991 S \* 8/2015 Brennan ..... D3/218  
D740,653 S \* 10/2015 Akana ..... D9/418  
D772,572 S \* 11/2016 Palmborg ..... D3/201  
D774,757 S \* 12/2016 Bournay, Jr. .... D3/276  
9,629,954 B2 \* 4/2017 Mitchell ..... A61M 5/14  
D832,572 S \* 11/2018 Bae ..... D3/201  
D834,819 S \* 12/2018 Burek ..... D3/294  
D839,583 S \* 2/2019 Cao ..... D3/201  
D846,264 S \* 4/2019 Wu ..... D3/201  
2007/0175238 A1 8/2007 Norwood et al.

\* cited by examiner

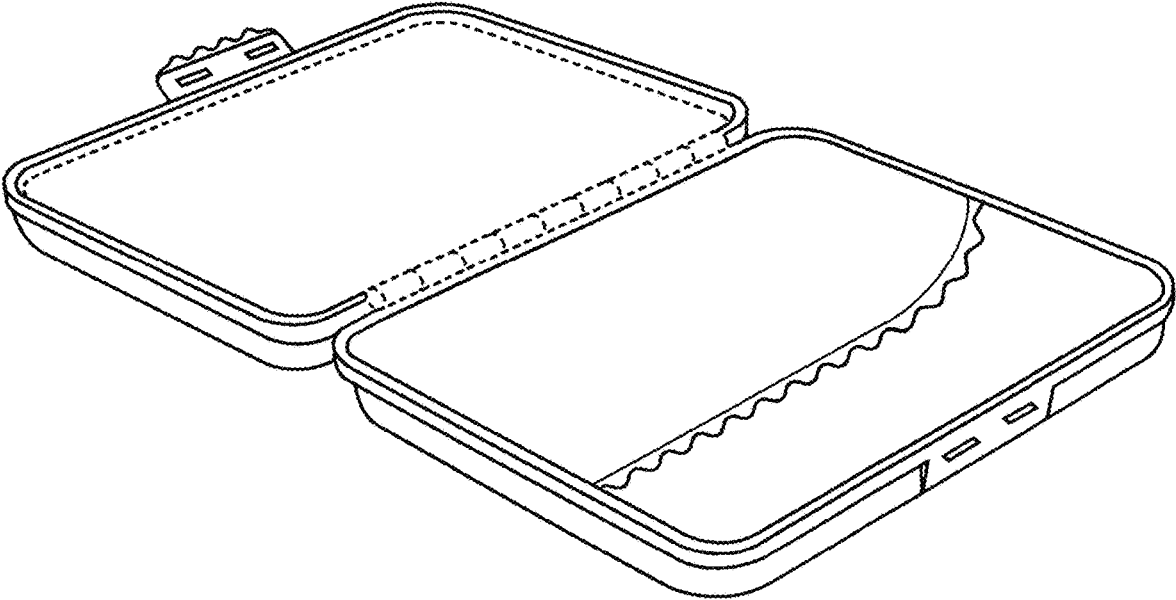


FIG. 1

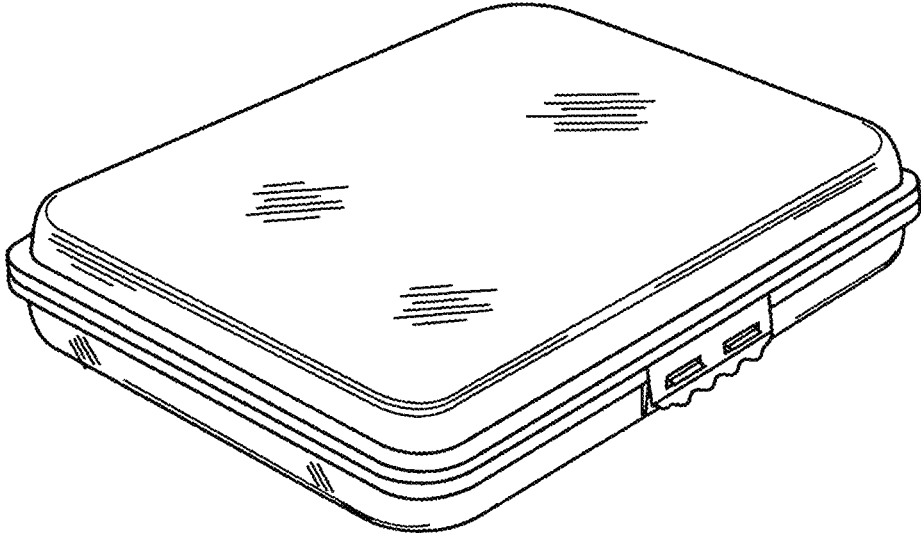


FIG. 2

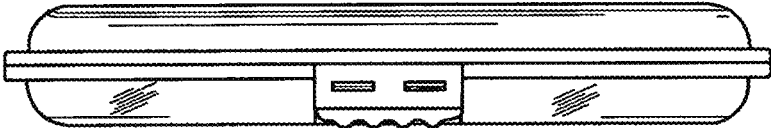


FIG.3

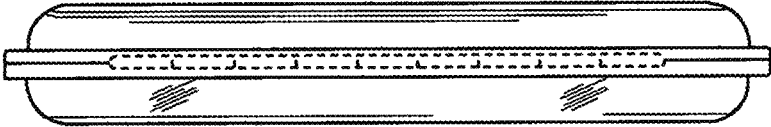


FIG.4



FIG. 5

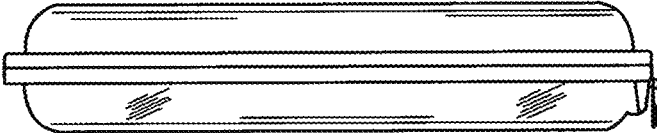


FIG. 6

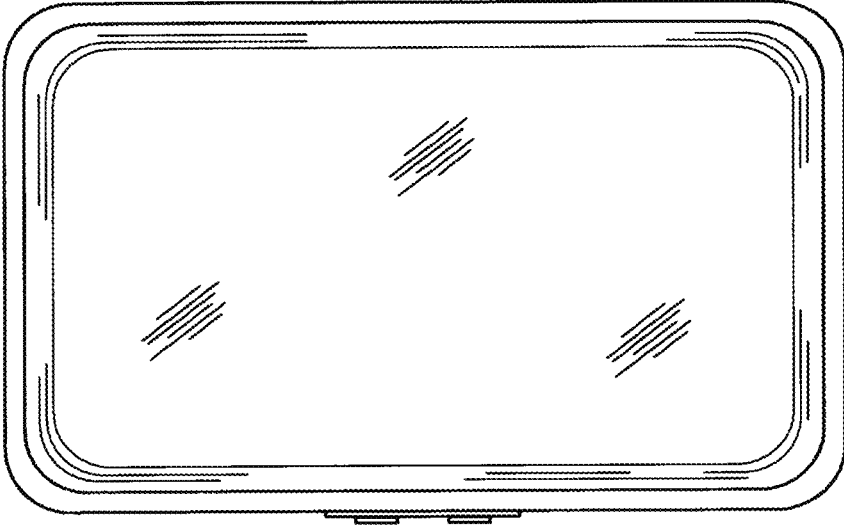


FIG. 7

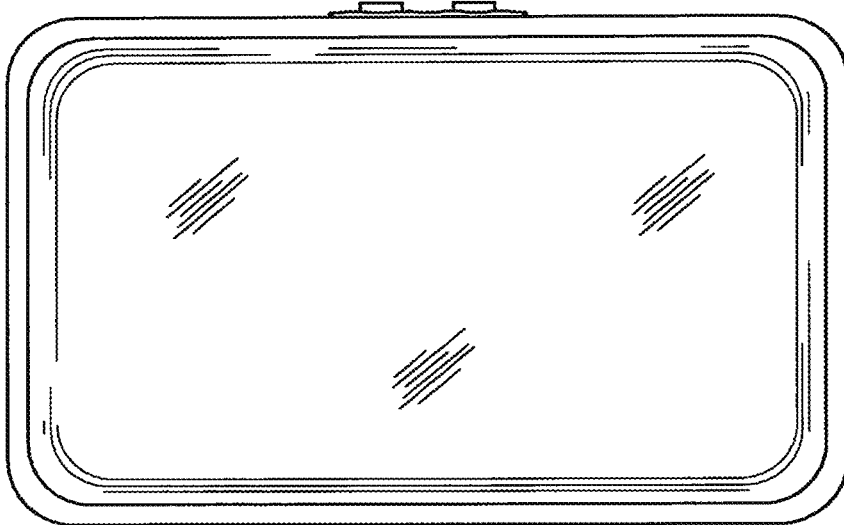


FIG. 8