

[54] **COMBINED TRAY AND BOWL**
[75] **Inventor: Maurizio Mattei, Macerata, Italy**
[73] **Assignee: Fratelli Guzzini S.p.A., Recanati, Italy**
[**] **Term: 14 Years**
[21] **Appl. No.: 5,877**
[22] **Filed: Jan. 21, 1987**

[30] **Foreign Application Priority Data**
Jul. 29, 1986 [IT] Italy 22671 B/86
[52] **U.S. Cl. D7/3; D7/23; D7/27**
[58] **Field of Search D7/23, 27, 3, 22, 2, D7/4, 20, 17**

[56] **References Cited**
U.S. PATENT DOCUMENTS
D. 87,824 9/1932 Barnes D7/23
D. 130,080 10/1941 Wynkoop D7/27
D. 195,046 4/1963 Swett D7/3

D. 208,097 7/1967 Henn D7/22
943,162 12/1909 Schlesinger D7/17 X
947,373 1/1910 Coleman, Sr. D7/3 X

OTHER PUBLICATIONS

Palmer Distributors/Flyer p. 2, Snack tray at bottom left/Plexiglas ST-125 or ST-187.

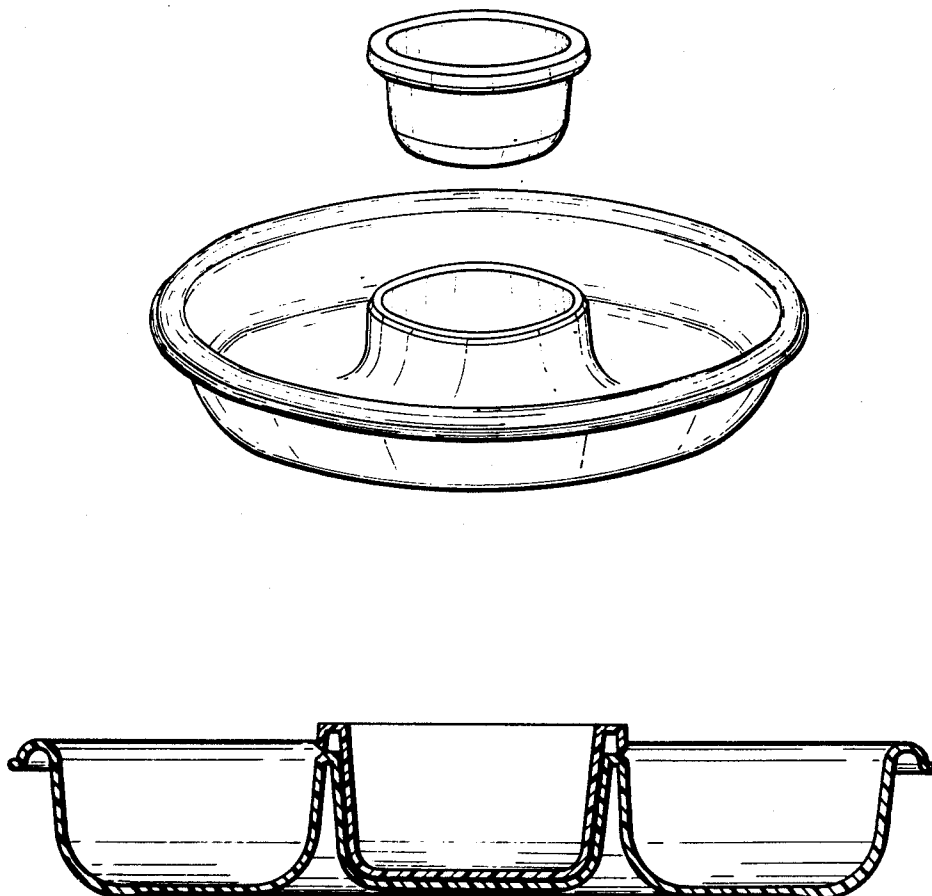
Primary Examiner—Winifred E. Herrmann
Attorney, Agent, or Firm—Hedman, Gibson, Costigan & Hoare

[57] **CLAIM**

The ornamental design for a combined tray and bowl, as shown and described.

DESCRIPTION

FIG. 1 is an exploded top perspective view of a combined tray and bowl showing my new design;
FIG. 2 is an assembled top perspective view thereof;
FIG. 3 is a bottom plan view thereof;
FIG. 4 is a sectional view thereof taken along line 4—4 of FIG. 3;
FIG. 5 is a top plan view thereof;
FIG 6 is a side elevational view thereof.



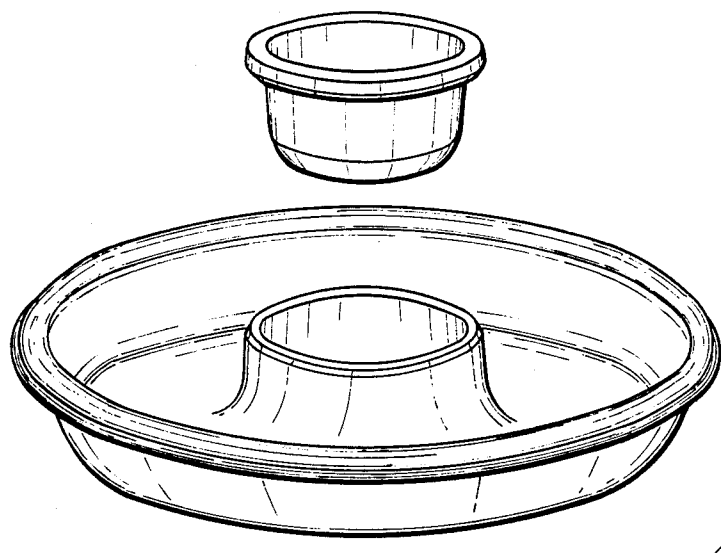


Fig.1

Fig.2

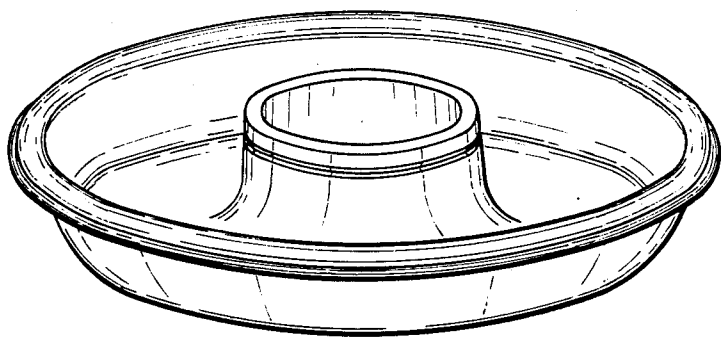


Fig.3

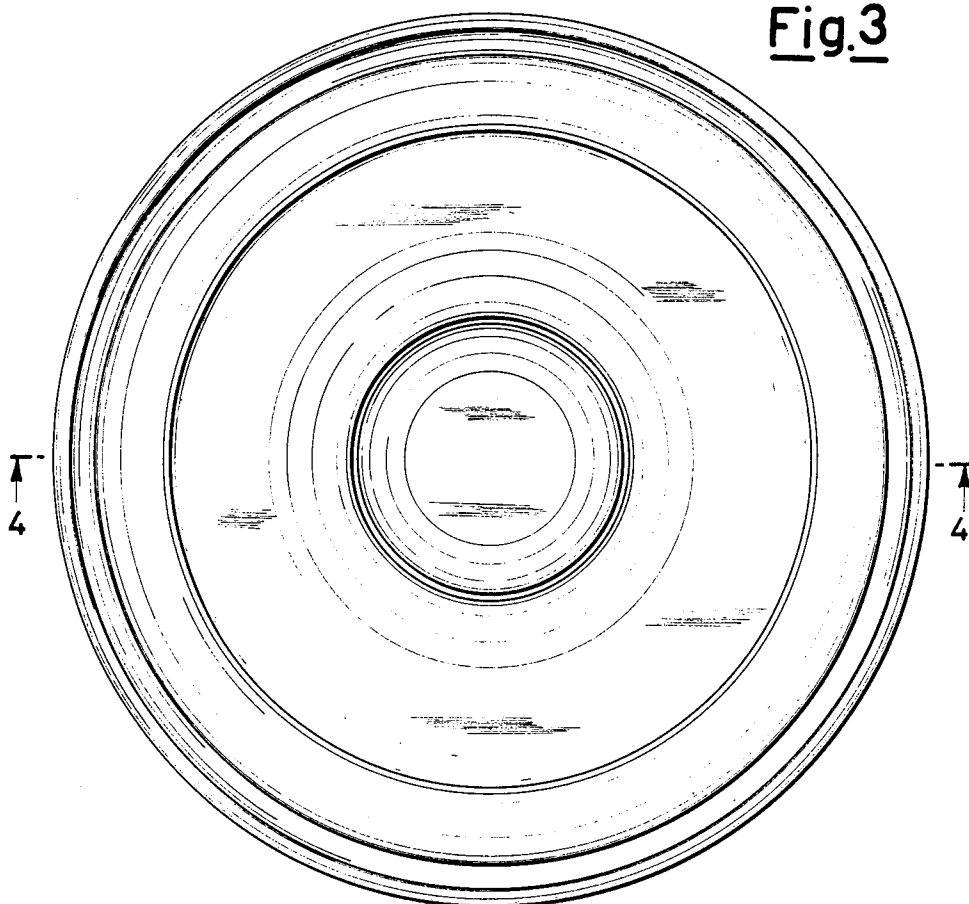


Fig.4

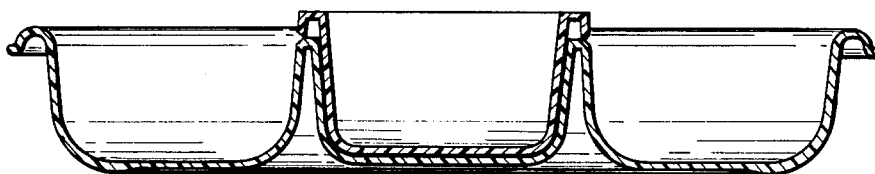


Fig.5

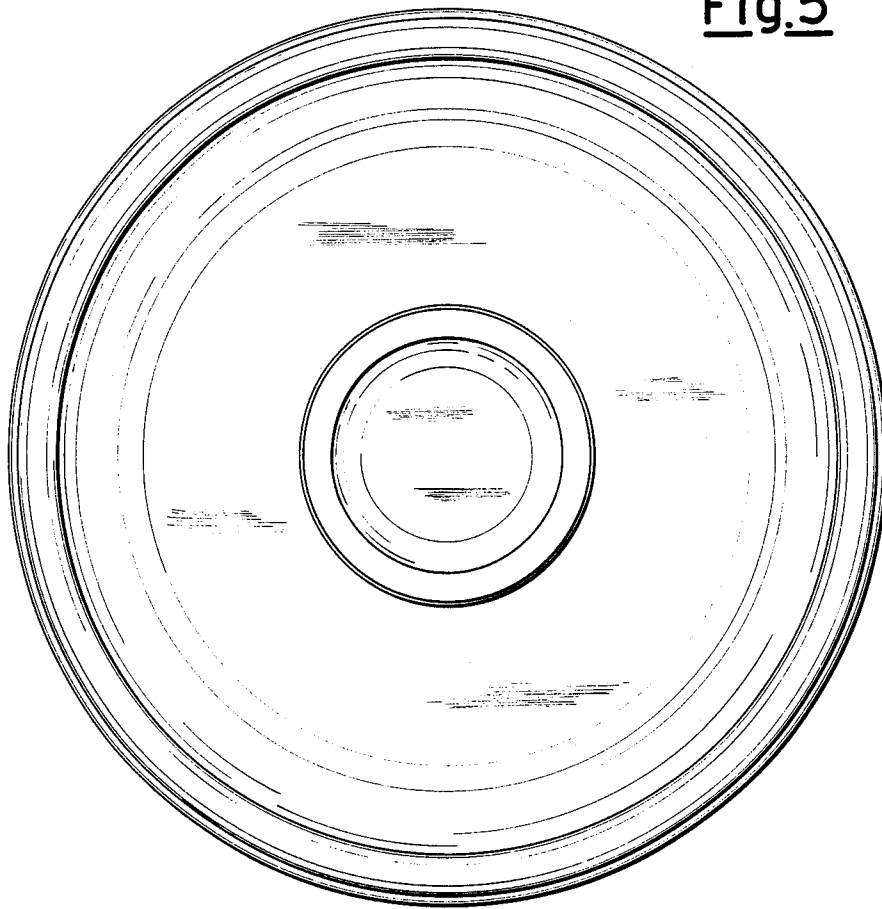


Fig.6

