

(19) World Intellectual Property Organization  
International Bureau



(43) International Publication Date  
30 January 2003 (30.01.2003)

PCT

(10) International Publication Number  
WO 03/008016 A3

(51) International Patent Classification<sup>7</sup>: A61B 17/58

52 Clarendon Avenue, San Francisco, CA 94114 (US).  
WINSLOW, Charles, J.; 25 Hilton Court, Walnut Creek,  
CA 94595 (US). FLYNN, John; 1458 Santa Clara Avenue,  
Concord, CA 94519 (US).

(21) International Application Number: PCT/US02/22634

(22) International Filing Date: 16 July 2002 (16.07.2002)

(74) Agent: MEYER, Sheldon, R.; Fliesler Dubb Meyer and  
Lovejoy LLP, Four Embarcadero Center, Suite 400, San  
Francisco, CA 94111-4156 (US).

(25) Filing Language: English

(26) Publication Language: English

(30) Priority Data:  
60/306,101 17 July 2001 (17.07.2001) US  
09/981,859 18 October 2001 (18.10.2001) US

(81) Designated States (*national*): AE, AG, AL, AM, AT, AU,  
AZ, BA, BB, BG, BR, BY, BZ, CA, CH, CN, CO, CR, CU,  
CZ, DE, DK, DM, DZ, EC, EE, ES, FI, GB, GD, GE, GH,  
GM, HR, HU, ID, IL, IN, IS, JP, KE, KG, KP, KR, KZ, LC,  
LK, LR, LS, LT, LU, LV, MA, MD, MG, MK, MN, MW,  
MX, MZ, NO, NZ, OM, PH, PL, PT, RO, RU, SD, SE, SG,  
SI, SK, SL, TJ, TM, TN, TR, TT, TZ, UA, UG, UZ, VN,  
YU, ZA, ZM, ZW.

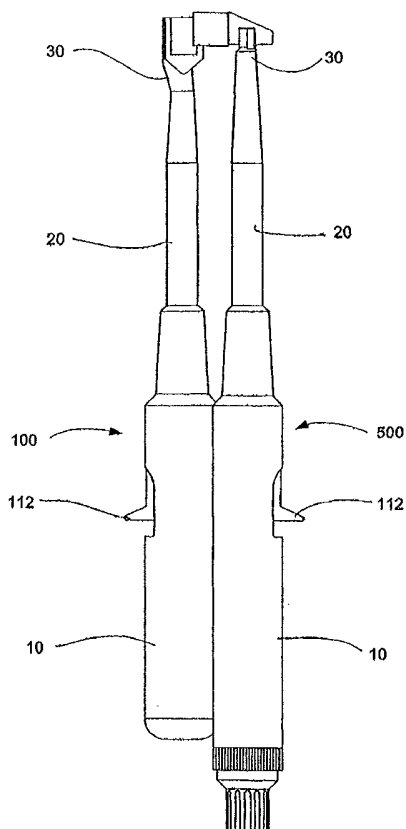
(71) Applicant: ST. FRANCIS MEDICAL TECHNOLO-  
GIES, INC. [US/US]; 1900 Bates Avenue - Suite L,  
Concord, CA 94520 (US).

(84) Designated States (*regional*): ARIPO patent (GH, GM,  
KE, LS, MW, MZ, SD, SL, SZ, TZ, UG, ZM, ZW),  
Eurasian patent (AM, AZ, BY, KG, KZ, MD, RU, TJ, TM),

(72) Inventors: ZUCHERMAN, James, F.; 3035 Pierce  
Street, San Francisco, CA 94123 (US). HSU, Ken, Y.;

[Continued on next page]

(54) Title: MATING INSERTION INSTRUMENTS FOR SPINAL IMPLANTS AND METHODS OF USE



(57) Abstract: Insertion instruments (100, 500) and a main body assembly (400) and a universal wing (800) to be inserted are provided, along with methods of using these instruments for the insertion of the spinal implants in patients to relieve the symptoms of, for example, spinal stenosis, injuries, and degenerative diseases of the spine. The instruments are simply designed and can be disassembled, making cleaning and sterilization easy and convenient. The instruments are designed to engage with and disengage from spinal implants easily, and use of the instruments in spinal implant surgery can be carried out with minimal surgical intervention and does not require general anesthesia. The main body assembly and the universal wing are designed to conveniently be secured to the insertion instruments. In an alternative embodiment the instrument (100) can be nested and at least one instrument can include a handle (10) provided at an angle.

WO 03/008016 A3



European patent (AT, BE, BG, CH, CY, CZ, DE, DK, EE, ES, FI, FR, GB, GR, IE, IT, LU, MC, NL, PT, SE, SK, TR), OAPI patent (BF, BJ, CF, CG, CI, CM, GA, GN, GQ, GW, ML, MR, NE, SN, TD, TG).

**(88) Date of publication of the international search report:**  
22 May 2003

**Published:**

- *with international search report*
- *before the expiration of the time limit for amending the claims and to be republished in the event of receipt of amendments*

*For two-letter codes and other abbreviations, refer to the "Guidance Notes on Codes and Abbreviations" appearing at the beginning of each regular issue of the PCT Gazette.*

INTERNATIONAL SEARCH REPORT

International application No.  
PCT/US02/22634

A. CLASSIFICATION OF SUBJECT MATTER

IPC(7) :A61B 17/58  
US CL : 606/99

According to International Patent Classification (IPC) or to both national classification and IPC

B. FIELDS SEARCHED

Minimum documentation searched (classification system followed by classification symbols)

U.S. : 606/61, 99, 104; 623/17.11-17.16

Documentation searched other than minimum documentation to the extent that such documents are included in the fields searched

Electronic data base consulted during the international search (name of data base and, where practicable, search terms used)

C. DOCUMENTS CONSIDERED TO BE RELEVANT

Category*	Citation of document, with indication, where appropriate, of the relevant passages	Relevant to claim No.
X	US 4,347,845 A (MAYFIELD) 7 September 1982, Figs. 1-4.	6, 8, 22, 24, 38, 39, 50
X	US 5,522,899 A (MICHELSON) 4 June 1996, Fig. 3.	6, 22, 38, 39, 50

Further documents are listed in the continuation of Box C.  See patent family annex.

* Special categories of cited documents:		
"A" document defining the general state of the art which is not considered to be of particular relevance	"T"	later document published after the international filing date or priority date and not in conflict with the application but cited to understand the principle or theory underlying the invention
"E" earlier document published on or after the international filing date	"X"	document of particular relevance; the claimed invention cannot be considered novel or cannot be considered to involve an inventive step when the document is taken alone
"L" document which may throw doubts on priority claim(s) or which is cited to establish the publication date of another citation or other special reason (as specified)	"Y"	document of particular relevance; the claimed invention cannot be considered to involve an inventive step when the document is combined with one or more other such documents, such combination being obvious to a person skilled in the art
"O" document referring to an oral disclosure, use, exhibition or other means	"G"	document member of the same patent family
"P" document published prior to the international filing date but later than the priority date claimed		

Date of the actual completion of the international search 15 NOVEMBER 2002	Date of mailing of the international search report 24 MAR 2003
Facsimile No. (703) 305-8230	Authorized officer AND Telephone No. DAVID O. REIP <i>David O. Reip</i> (703) 308-0858