



(12) **United States Design Patent**
Holscher

(10) **Patent No.:** **US D660,491 S**
(45) **Date of Patent:** **** May 22, 2012**

(54) **EMERGENCY LIGHTING FIXTURE**

(75) Inventor: **Steven G. Holscher**, Boling Springs, SC (US)

(73) Assignee: **Hubbell Incorporated**, Shelton, CT (US)

(**) Term: **14 Years**

(21) Appl. No.: **29/391,067**

(22) Filed: **May 3, 2011**

(51) **LOC (9) Cl.** **26-05**

(52) **U.S. Cl.** **D26/63; D26/83**

(58) **Field of Classification Search** D26/61, D26/63, 74, 80, 81, 83-89; 362/147, 488, 362/490, 515, 20, 249.1, 249.07, 285, 287; D10/114.1

See application file for complete search history.

(56) **References Cited**

U.S. PATENT DOCUMENTS

D107,878 S *	1/1938	Levey	D26/74
D223,282 S	4/1972	Andre	
D264,253 S	5/1982	Goldschmidt et al.	
D299,549 S	1/1989	Macaluso	
D301,750 S *	6/1989	Fenne	D26/26
D320,863 S	10/1991	Macaluso	
D333,010 S *	2/1993	Lowe, Sr.	D26/72
D334,821 S *	4/1993	Morgan	D26/28
D357,997 S *	5/1995	Wegrzyn et al.	D26/85
D397,484 S *	8/1998	Ballard	D26/85
D400,991 S	11/1998	LaRosa et al.	
D400,995 S *	11/1998	LaRosa et al.	D26/63
D410,295 S *	5/1999	Lueken et al.	D26/74
D419,708 S	1/2000	LaRosa et al.	
6,019,477 A	2/2000	Wegrzyn et al.	
6,142,649 A	11/2000	Beghelli	
6,193,395 B1	2/2001	Logan	
D441,475 S	5/2001	Wegrzyn et al.	
6,280,042 B1 *	8/2001	Wegrzyn et al.	362/20

D473,672 S *	4/2003	Lay et al.	D26/80
D484,272 S	12/2003	Lay et al.	
D484,633 S *	12/2003	Campagna	D26/72
6,741,324 B1	5/2004	Kim	
D507,373 S	7/2005	Kim	
D532,918 S *	11/2006	Lay et al.	D26/80
7,182,487 B1	2/2007	Pickard et al.	
7,220,014 B2	5/2007	Lay et al.	

(Continued)

OTHER PUBLICATIONS

RMR-16 Emergency Lighting, Best Lighting Products, 2011.

(Continued)

Primary Examiner — Clare E Heflin

(74) *Attorney, Agent, or Firm* — Garrett V. Davis; Mark S. Bicks; Alfred N. Goodman

(57) **CLAIM**

The ornamental design for an emergency lighting fixture, as shown and described.

DESCRIPTION

FIG. 1 is a top perspective view of the emergency lighting fixture of the invention;

FIG. 2 is a front view of the emergency lighting fixture of FIG. 1;

FIG. 3 is a right side view of the emergency lighting fixture of FIG. 1;

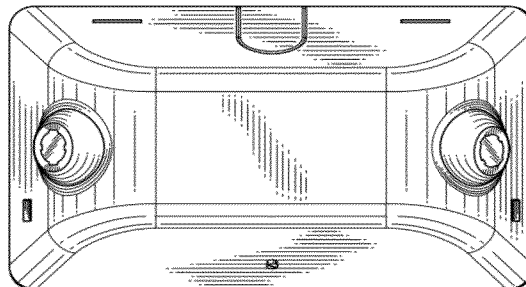
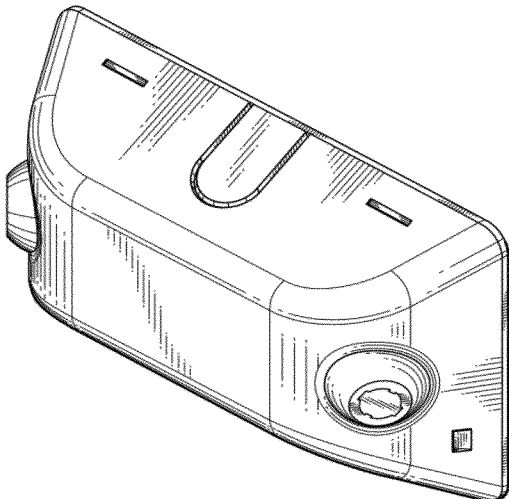
FIG. 4 is a rear side view of the emergency lighting fixture of FIG. 1;

FIG. 5 is a left side view of the emergency lighting fixture of FIG. 1;

FIG. 6 is a top view of the emergency lighting fixture of FIG. 1; and,

FIG. 7 is a bottom view of the emergency lighting fixture of FIG. 1.

1 Claim, 3 Drawing Sheets



US D660,491 S

Page 2

U.S. PATENT DOCUMENTS

D547,222 S 7/2007 Wilson et al.
D558,910 S * 1/2008 Martineau D26/85
D559,424 S 1/2008 Martineau et al.
D586,028 S 2/2009 Condon et al.
D627,916 S 11/2010 Butteris et al.
D632,005 S 2/2011 Munstermann

OTHER PUBLICATIONS

ELM2 Quantum Thermoplastic Emergency Light, Lithonia Light-
ing, Nov. 3, 2010.
EL-2MRS Series, Emergi-Lite, Thomas & Betts, Jun. 8, 2000.
* cited by examiner

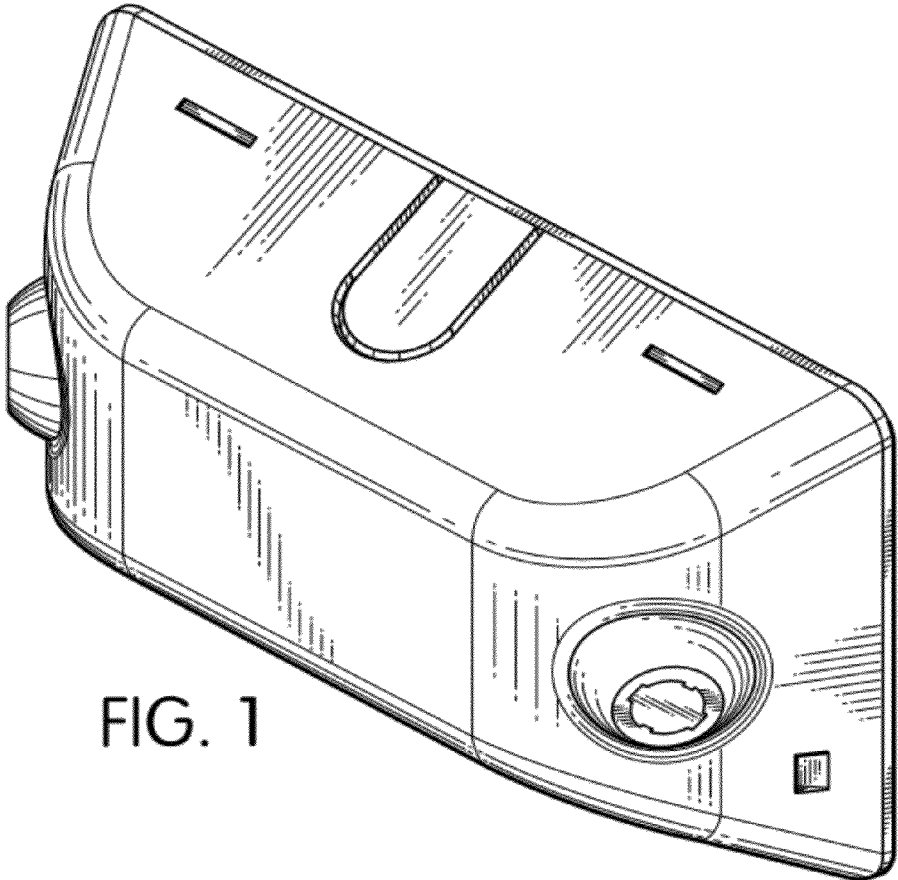


FIG. 1

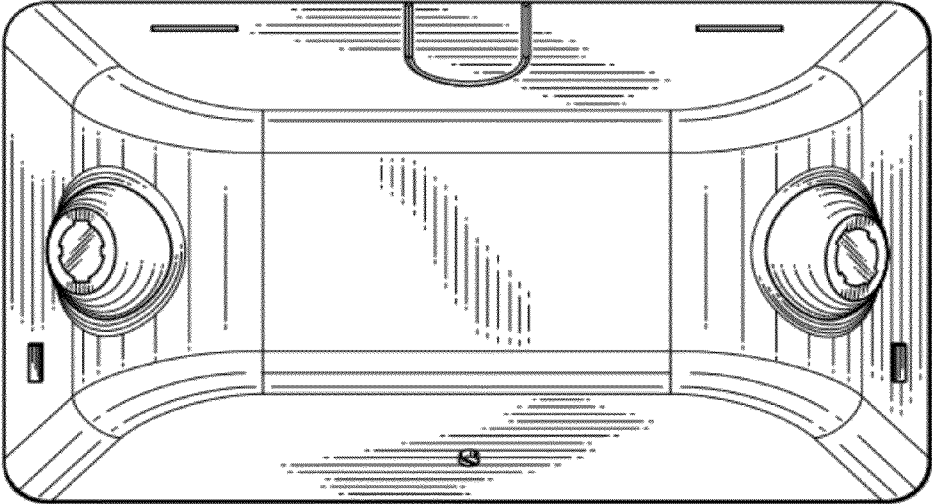


FIG. 2

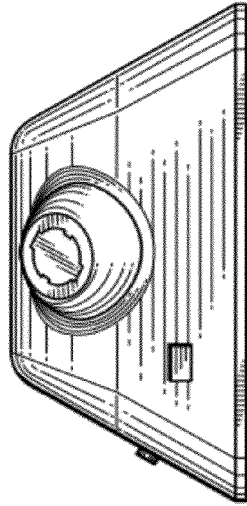


FIG. 3

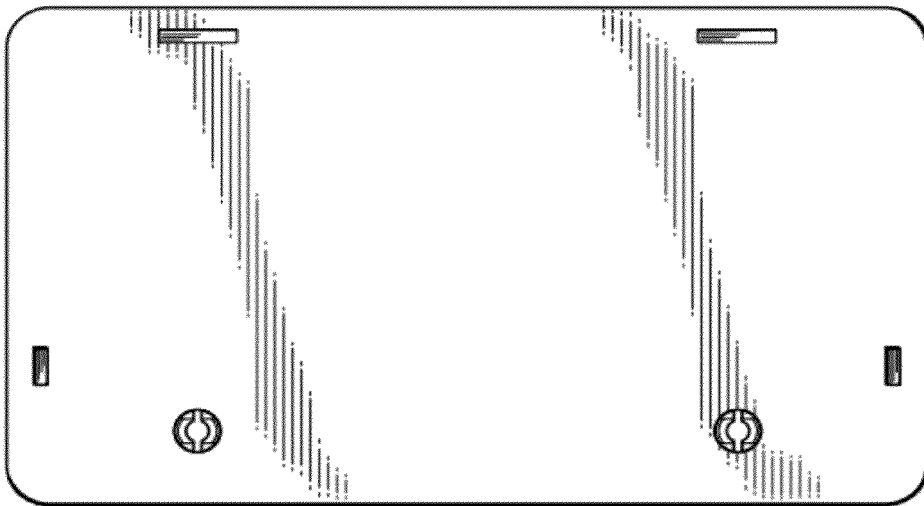


FIG. 4

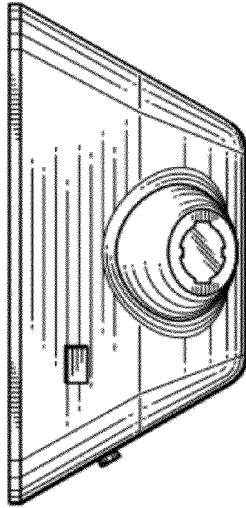


FIG. 5

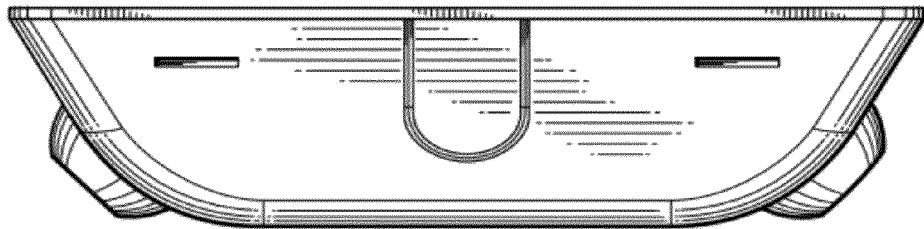


FIG. 6

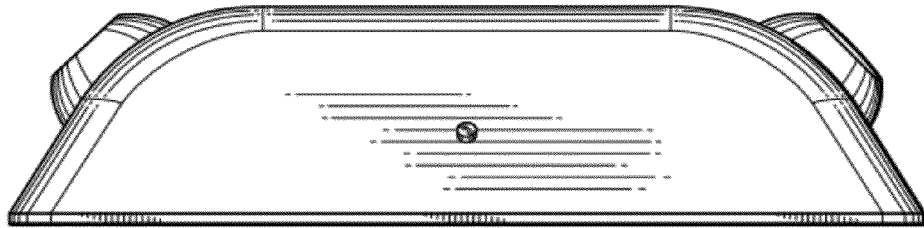


FIG. 7