



US00D500036S

(12) **United States Design Patent**  
**Chang et al.**

(10) **Patent No.:** **US D500,036 S**

(45) **Date of Patent:** **\*\* Dec. 21, 2004**

(54) **WIRELESS PALM-SIZE COLOR FLAT  
PANEL DISPLAY**

D334,180 S \* 3/1993 Tedham et al. .... D14/341  
D357,000 S \* 4/1995 Takahashi ..... D14/341  
D440,966 S \* 4/2001 Ronzani ..... D14/344  
D453,158 S \* 1/2002 Chen ..... D14/374

(75) Inventors: **Hsin Chung Chang**, Jubei (TW); **Kuo Hsiung Chang**, Jubei (TW)

\* cited by examiner

(73) Assignee: **Tranwo Technology Corp.**, Hsinchu (TW)

*Primary Examiner*—Freda S. Nunn  
(74) *Attorney, Agent, or Firm*—Rosenberg, Klein & Lee

(\*\*) Term: **14 Years**

(57) **CLAIM**

(21) Appl. No.: **29/200,443**

The ornamental design for a wireless palm-size color flat panel display, as shown.

(22) Filed: **Mar. 1, 2004**

**DESCRIPTION**

(51) **LOC (7) Cl.** ..... **14-02**

(52) **U.S. Cl.** ..... **D14/371**

(58) **Field of Search** ..... D14/341-346,  
D14/371, 374; D18/1, 2, 7; 345/104, 156,  
168, 173, 901-905; 348/180, 184, 325,  
739; 341/12; 349/1, 2, 11, 62

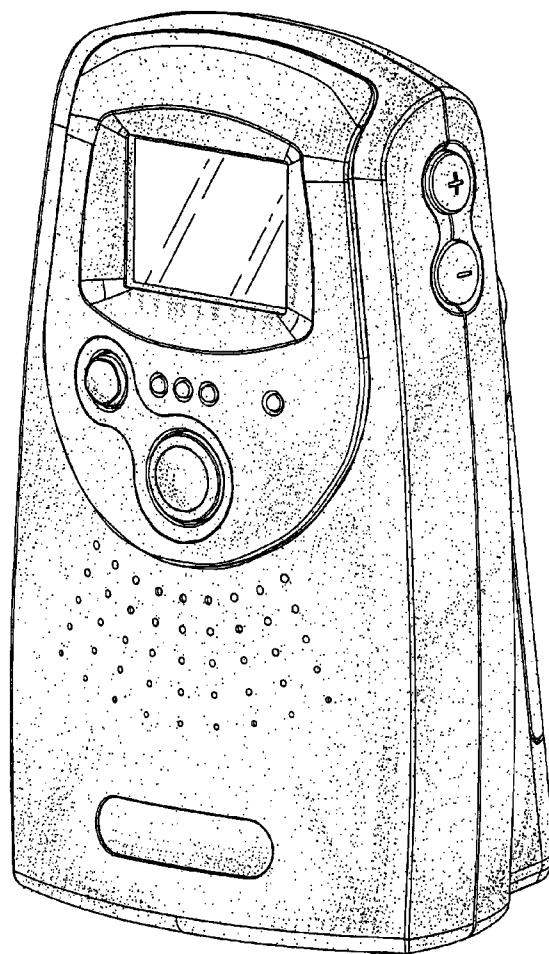
FIG. 1 is a perspective view of wireless palm-size color flat panel display showing my new design;  
FIG. 2 is a front elevational view thereof;  
FIG. 3 is a rear elevational view thereof;  
FIG. 4 is a left elevational view thereof;  
FIG. 5 is a right elevational view thereof;  
FIG. 6 is a top view thereof; and,  
FIG. 7 is a bottom view thereof.

(56) **References Cited**

**U.S. PATENT DOCUMENTS**

D266,563 S \* 10/1982 White ..... D14/346

**1 Claim, 7 Drawing Sheets**



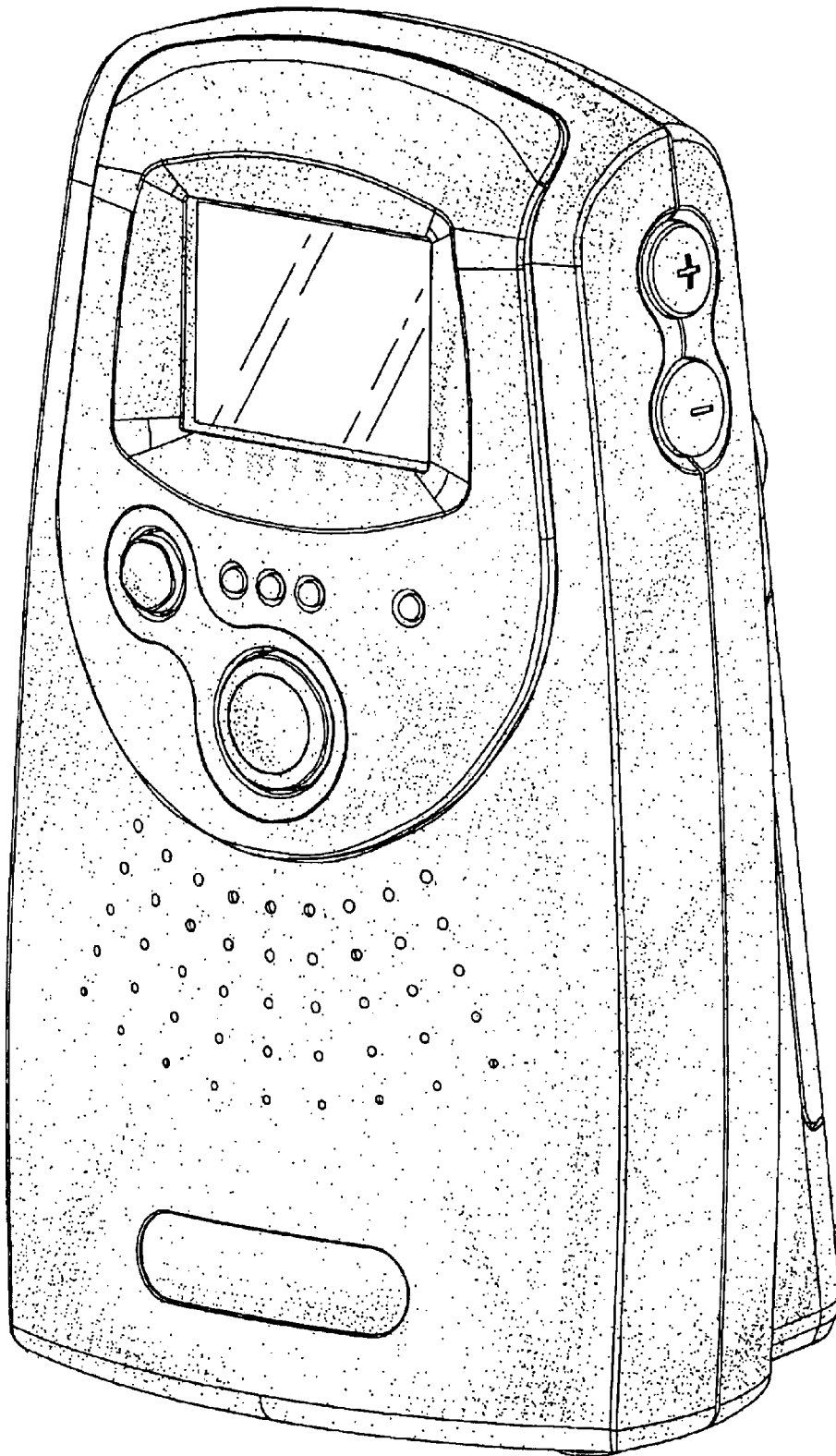


FIG. 1

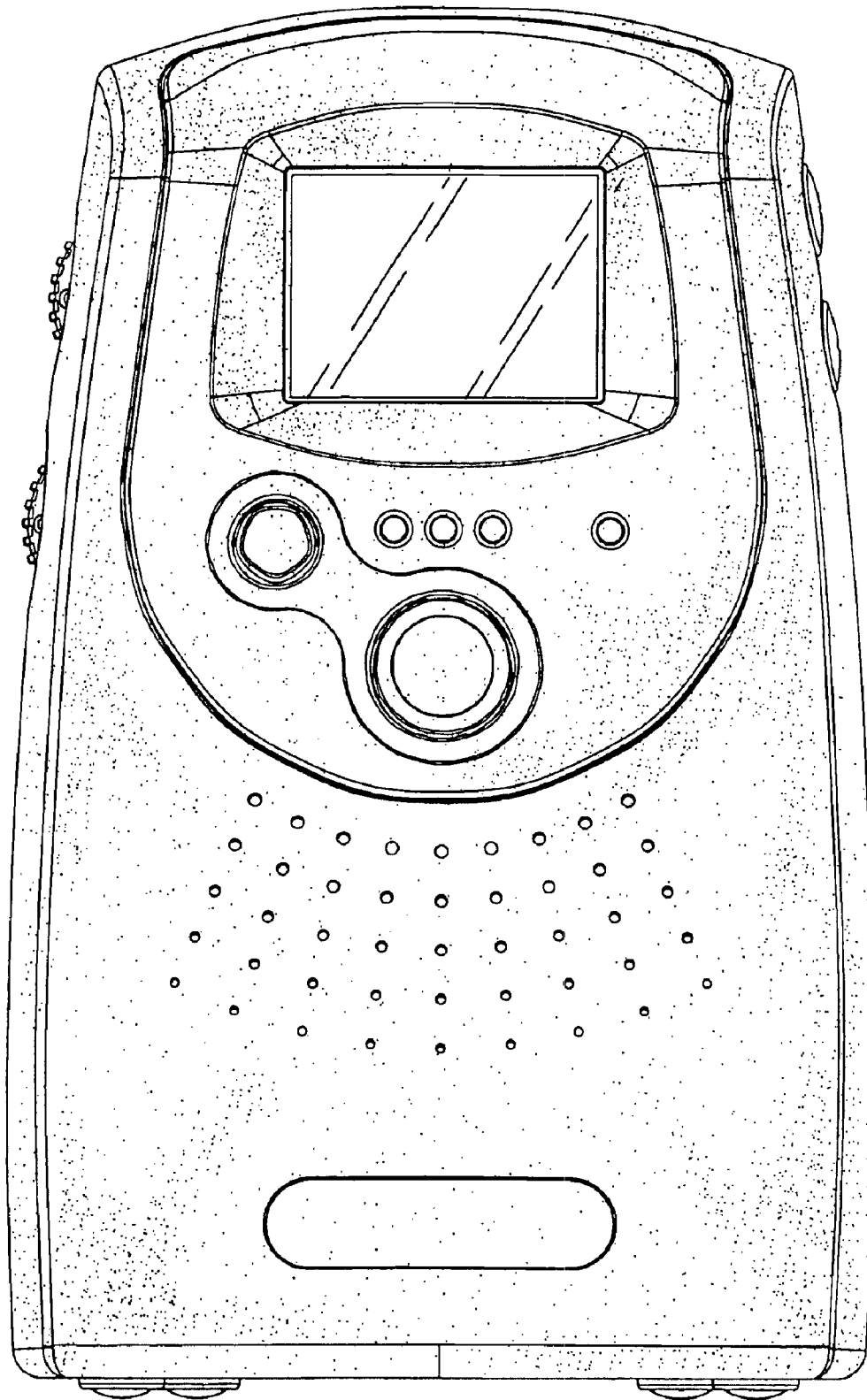


FIG. 2

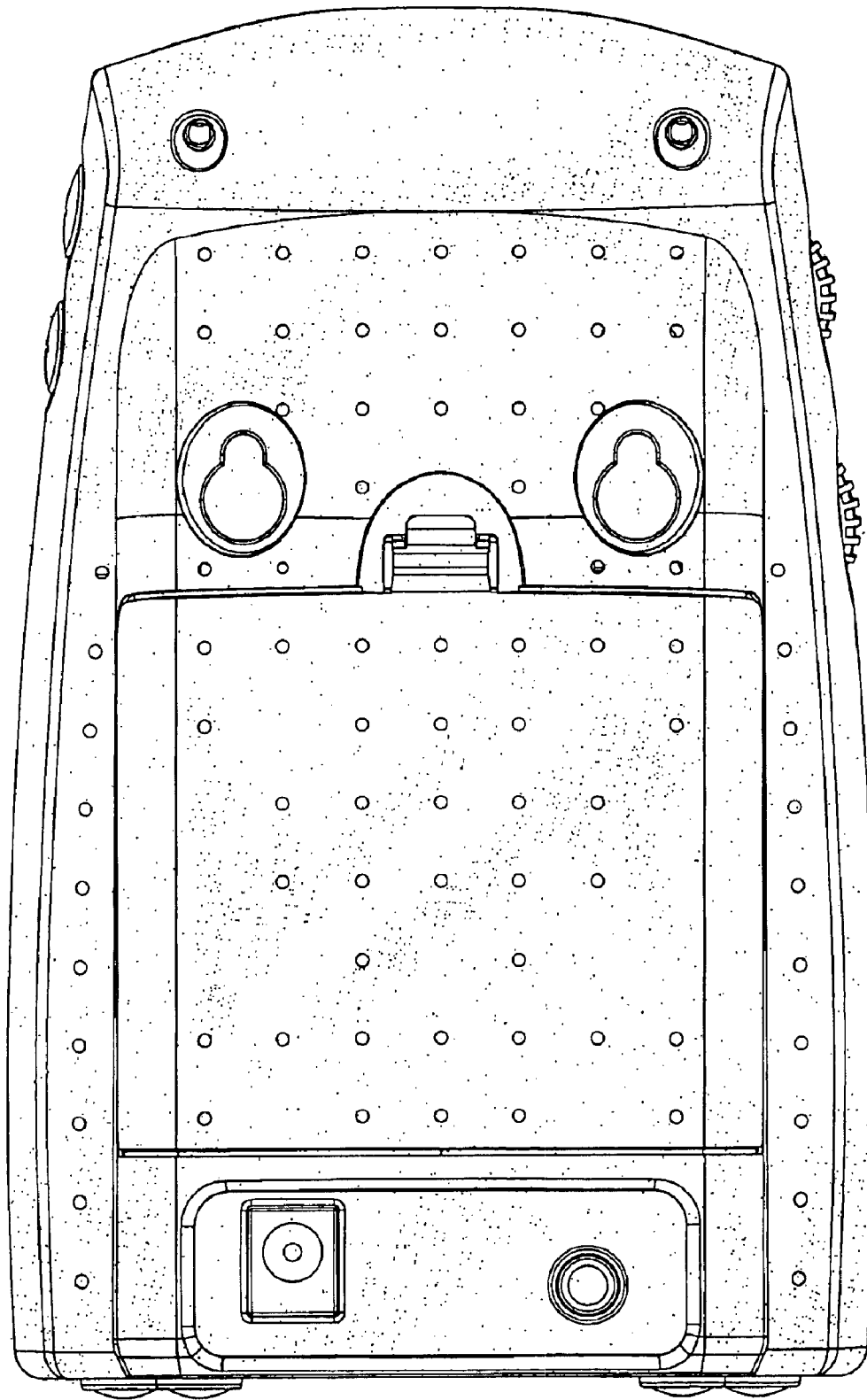


FIG. 3

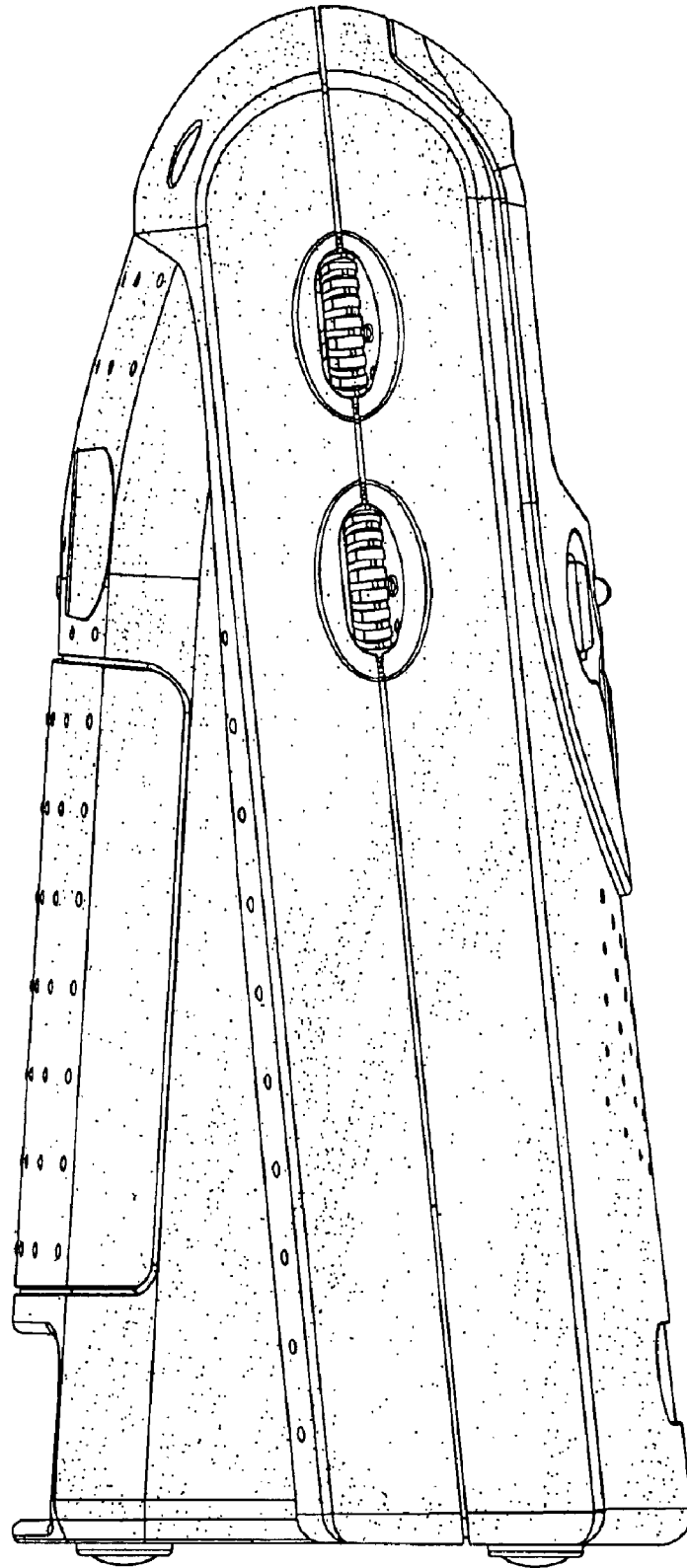


FIG. 4

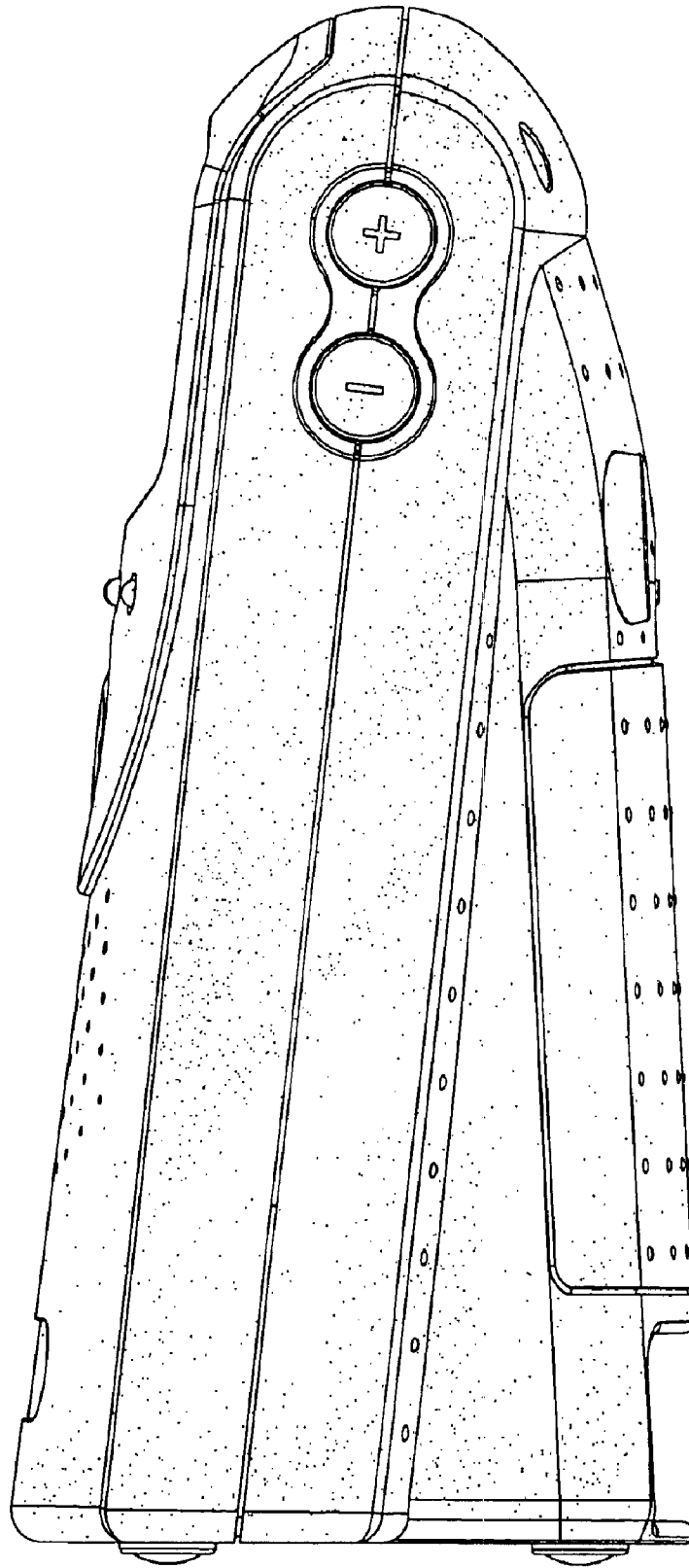


FIG. 5

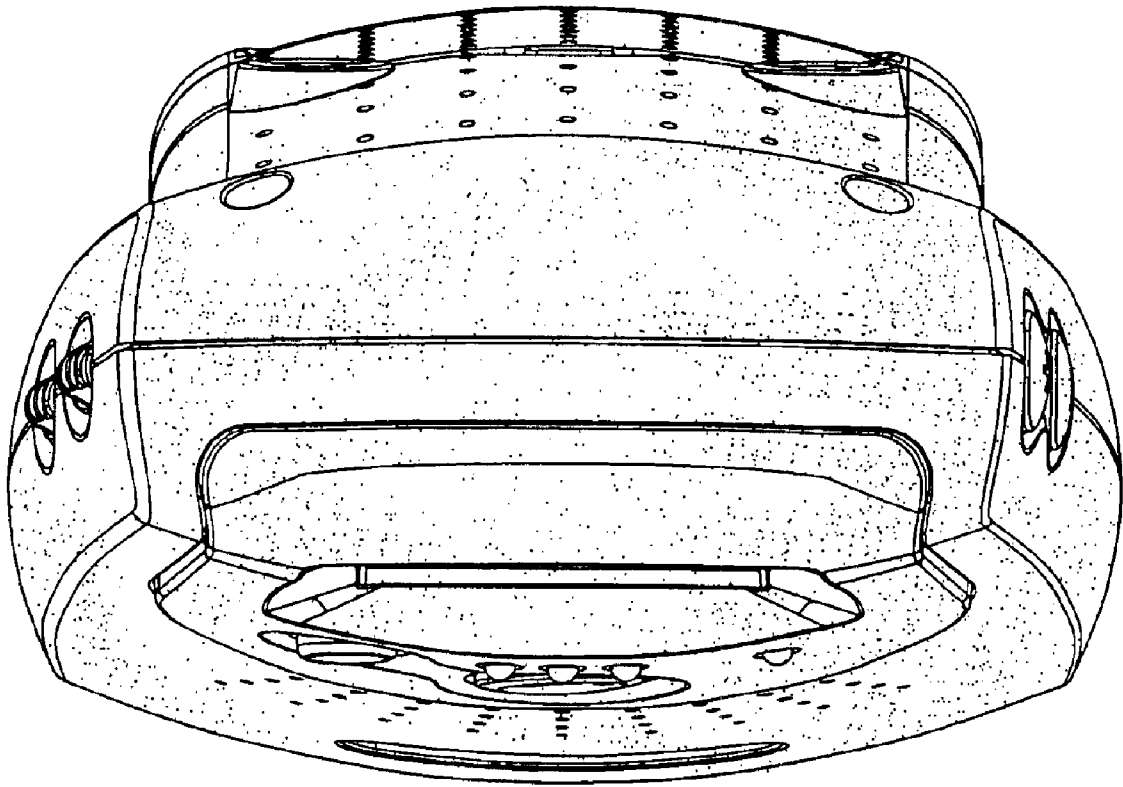


FIG. 6

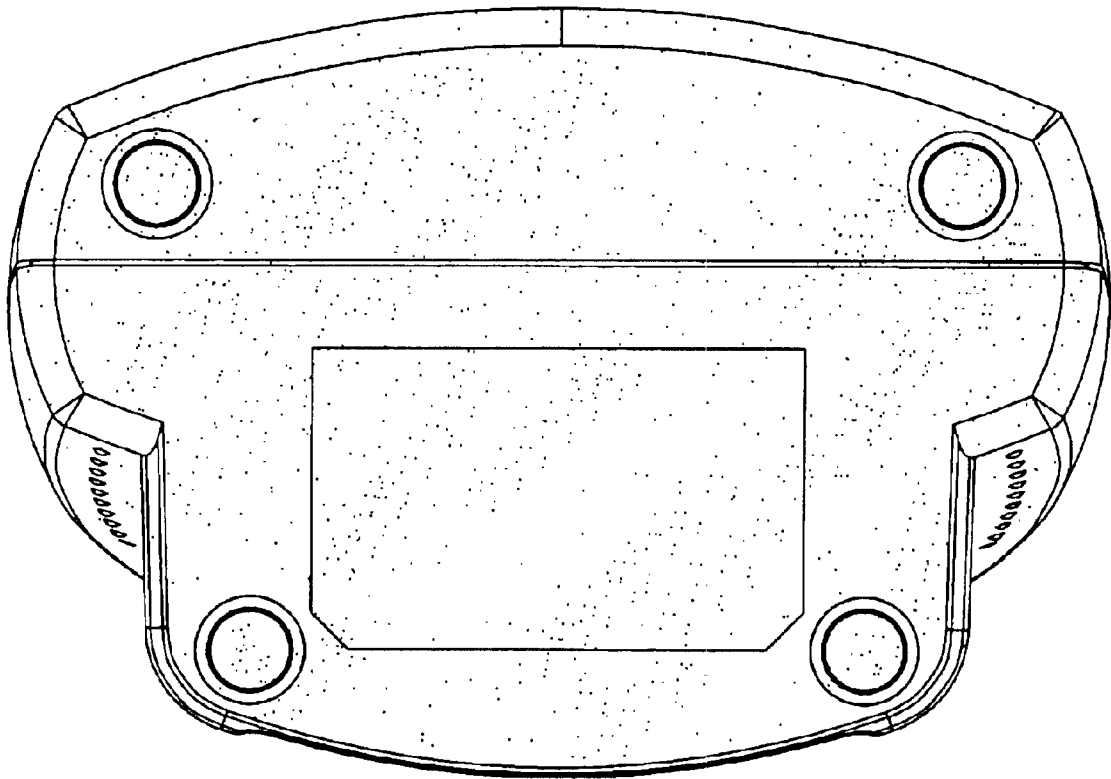


FIG. 7