

(19) World Intellectual Property Organization
International Bureau



(43) International Publication Date
14 September 2006 (14.09.2006)

PCT

(10) International Publication Number
WO 2006/096629 A1

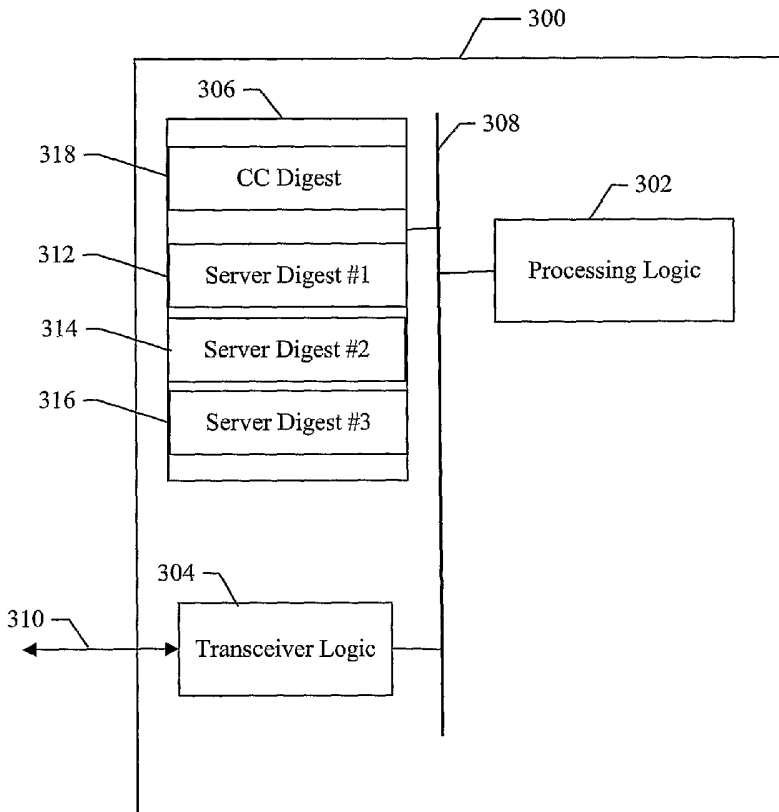
- (51) **International Patent Classification:**
H04L 29/08 (2006.01)
- (21) **International Application Number:**
PCT/US2006/007896
- (22) **International Filing Date:** 3 March 2006 (03.03.2006)
- (25) **Filing Language:** English
- (26) **Publication Language:** English
- (30) **Priority Data:**
60/658,989 4 March 2005 (04.03.2005) US
- (71) **Applicant (for all designated States except US):** QUALCOMM INCORPORATED [US/US]; 5775 Morehouse Drive, San Diego, CA 92121 (US).
- (72) **Inventors; and**
- (75) **Inventors/Applicants (for US only):** NAGARAJ, Thadi [IN/US]; 11820-2 Cypress Canyon Road, San Diego, CA 92131 (US). CHANDHOK, Ravinder, Paul [US/US]; 14339 Bent Tree Court, Poway, CA 92064 (US).
- (74) **Agents:** WADSWORTH, Philip R. et al.; 5775 Morehouse Drive, San Diego, CA 92121 (US).

- (81) **Designated States (unless otherwise indicated, for every kind of national protection available):** AE, AG, AL, AM, AT, AU, AZ, BA, BB, BG, BR, BW, BY, BZ, CA, CH, CN, CO, CR, CU, CZ, DE, DK, DM, DZ, EC, EE, EG, ES, FI, GB, GD, GE, GH, GM, HR, HU, ID, IL, IN, IS, JP, KE, KG, KM, KN, KP, KR, KZ, LC, LK, LR, LS, LT, LU, LV, LY, MA, MD, MG, MK, MN, MW, MX, MZ, NA, NG, NI, NO, NZ, OM, PG, PH, PL, PT, RO, RU, SC, SD, SE, SG, SK, SL, SM, SY, TJ, TM, TN, TR, TT, TZ, UA, UG, US, UZ, VC, VN, YU, ZA, ZM, ZW.
- (84) **Designated States (unless otherwise indicated, for every kind of regional protection available):** ARIPO (BW, GH, GM, KE, LS, MW, MZ, NA, SD, SL, SZ, TZ, UG, ZM, ZW), Eurasian (AM, AZ, BY, KG, KZ, MD, RU, TJ, TM), European (AT, BE, BG, CH, CY, CZ, DE, DK, EE, ES, FI, FR, GB, GR, HU, IE, IS, IT, LT, LU, LV, MC, NL, PL, PT, RO, SE, SI, SK, TR), OAPI (BF, BJ, CF, CG, CI, CM, GA, GN, GQ, GW, ML, MR, NE, SN, TD, TG).

Declarations under Rule 4.17:
 — as to applicant's entitlement to apply for and be granted a patent (Rule 4.17(ii))

[Continued on next page]

(54) **Title:** METHODS AND APPARATUS FOR PROVIDING A CONTROL CHANNEL IN A DATA NETWORK



(57) **Abstract:** Methods and apparatus for providing a control channel in a data network. A method is provided that operates to provide a control channel in a data network. The method includes receiving one or more server digests, and generating a control channel digest from the one or more server digests. The method also includes communicating with a device, and transmitting the control channel digest to the device.

WO 2006/096629 A1



— *as to the applicant's entitlement to claim the priority of the earlier application (Rule 4.17(iii))*

Published:

- *with international search report*
- *before the expiration of the time limit for amending the claims and to be republished in the event of receipt of amendments*

For two-letter codes and other abbreviations, refer to the "Guidance Notes on Codes and Abbreviations" appearing at the beginning of each regular issue of the PCT Gazette.

METHODS AND APPARATUS FOR PROVIDING A CONTROL CHANNEL IN A DATA NETWORK

Claim of Priority under 35 U.S.C. §119

[0001] The present Application for Patent claims priority to Provisional Application No. 60/658,989, entitled "METHOD AND APPARATUS FOR CONTROL CHANNEL IMPLEMENTATION IN A CLIENT-SERVER SYSTEM" filed March 4, 2005, and assigned to the assignee hereof and hereby expressly incorporated by reference herein.

BACKGROUND

Field

[0002] The present application relates generally to the operation of data networks, and more particularly, to methods and apparatus for providing a control channel in a data network.

Background

[0003] Typical wireless delivery systems are client-server based systems. Thus, the actions performed by a client may be dependent on one or more server states. For example, the server state may include content states, program guide states, administrative states, or any other type of server state. Thus, the state of a particular distribution system may include information from a number of servers such as a subscription server, distribution server, administrative server, or any other server. At any given time, the state of one or more of these servers may change.

[0004] Unfortunately, a device in a wireless distribution system goes in and out of service due to power-down operation modes or limitations in service coverage. Thus, a client operating at a device may have a problem monitoring what is going on in the network. One approach to solve this problem is for the client at the device to completely synchronize its state with all servers in the system before the client performs any action. However, this is inefficient if some server states have not changed or if server states change infrequently. Additionally, if a server's state has not changed, this technique may require the device to utilize power and network bandwidth to obtain state information it may already have.

[0005] Therefore, what is needed is a system that operates to provide a way for the state of a distribution system to be efficiently delivered to a wireless device.

SUMMARY

[0006] In one or more embodiments, a control channel system, comprising methods and apparatus, is provided that operates to efficiently delivery the state of a distribution system to a device. In one embodiment, a control channel is defined that carries a control channel (CC) digest (or synopsis) of server states. A client at a device receives this CC digest in a variety of interactions with one or more servers. If the CC digest indicates that one or more server states have changed, only then does the client synchronize its state with the server whose state has changed. Thus, the control channel provides a generic and flexible mechanism that provides a way for the state of a distribution system to be efficiently delivered to a wireless device.

[0007] In an aspect, a method is provided that operates to provide a control channel in a data network. The method comprises receiving one or more server digests, and generating a control channel digest from the one or more server digests. The method also comprises communicating with a device, and transmitting the control channel digest to the device.

[0008] In an aspect, a method is provided that operates to provide a control channel in a data network. The method comprises receiving one or more server digests, generating a control channel digest from the one or more server digests, and broadcasting the control channel digest over the data network.

[0009] In an aspect, a method is provided that operates to provide a control channel in a data network. The method comprises receiving one or more server digests from one or more servers, generating a control channel digest from the one or more server digests, and transmitting the control channel digest to the one or more servers.

[0010] In an aspect, a method is provided that operates to provide a control channel in a data network. The method comprises transmitting a server digest, receiving a control channel digest, communicating with a device, and transmitting the control channel digest to the device.

[0011] In an aspect, an apparatus is provided that operates to provide a control channel in a data network. The apparatus comprises means for receiving one or more server digests, means for generating a control channel digest from the one or more

server digests, means for communicating with a device, and means for transmitting the control channel digest to the device.

[0012] In an aspect, an apparatus is provided that operates to provide a control channel in a data network. The apparatus comprises means for receiving one or more server digests, means for generating a control channel digest from the one or more server digests, and means for broadcasting the control channel digest over the data network.

[0013] In an aspect, an apparatus is provided that operates to provide a control channel in a data network. The apparatus comprises means for receiving one or more server digests from one or more servers, means for generating a control channel digest from the one or more server digests, and means for transmitting the control channel digest to the one or more servers.

[0014] In an aspect, an apparatus is provided that operates to provide a control channel in a data network. The apparatus comprises means for transmitting a server digest, means for receiving a control channel digest, means for communicating with a device, and means for transmitting the control channel digest to the device.

[0015] In an aspect, an apparatus is provided that operates to provide a control channel in a data network. The apparatus comprises processing logic configured to receive one or more server digests, and generate a control channel digest from the one or more server digests, and transceiver logic configured to communicate with a device, and transmit the control channel digest to the device.

[0016] In an aspect, an apparatus is provided that operates to provide a control channel in a data network. The apparatus comprises processing logic configured to receive one or more server digests and to generate a control channel digest from the one or more server digests, and transceiver logic configured to broadcast the control channel digest over the data network.

[0017] In an aspect, an apparatus is provided that operates to provide a control channel in a data network. The apparatus comprises processing logic configured to receiving one or more server digests from one or more servers and generate a control channel digest from the one or more server digests, and transceiver logic configured to transmit the control channel digest to the one or more servers.

[0018] In an aspect, an apparatus is provided that operates to provide a control channel in a data network. The apparatus comprises processing logic configured to

transmit a server digest and receive a control channel digest, and transceiver logic configured to communicate with a device, and transmit the control channel digest to the device.

[0019] In an aspect, a computer-readable medium is provided that has a computer program, which when executed by at least one processor, operates to provide a control channel in a data network. The computer program comprises instructions for receiving one or more server digests, instructions for generating a control channel digest from the one or more server digests, instructions for communicating with a device, and instructions for transmitting the control channel digest to the device.

[0020] In an aspect, a computer-readable medium is provided having a computer program, which when executed by at least one processor, operates to provide a control channel in a data network. The computer program comprises instructions for receiving one or more server digests, instructions for generating a control channel digest from the one or more server digests, and instructions for broadcasting the control channel digest over the data network.

[0021] In an aspect, a computer-readable medium is provided that has a computer program, which when executed by at least one processor, operates to provide a control channel in a data network. The computer program comprises instructions for receiving one or more server digests from one or more servers, instructions for generating a control channel digest from the one or more server digests, and instructions for transmitting the control channel digest to the one or more servers.

[0022] In an aspect, a computer-readable medium is provided that has a computer program, which when executed by at least one processor, operates to provide a control channel in a data network. The computer program comprises instructions for transmitting a server digest, instructions for receiving a control channel digest, instructions for communicating with a device, and instructions for transmitting the control channel digest to the device.

[0023] In an aspect, at least one processor is provided that is configured to perform a method for providing a control channel in a data network. The method comprises receiving one or more server digests, generating a control channel digest from the one or more server digests, communicating with a device, and transmitting the control channel digest to the device.

[0024] In an aspect, at least one processor is provided that is configured to perform a method for providing a control channel in a data network. The method comprises receiving one or more server digests from one or more servers, generating a control channel digest from the one or more server digests, and transmitting the control channel digest to the one or more servers.

[0025] In an aspect, at least one processor is provided that is configured to perform a method for providing a control channel in a data network. The method comprises transmitting a server digest, receiving a control channel digest, communicating with a device, and transmitting the control channel digest to the device.

[0026] Other aspects of the embodiments will become apparent after review of the hereinafter set forth Brief Description of the Drawings, Description, and the Claims.

BRIEF DESCRIPTION OF THE DRAWINGS

[0027] The foregoing aspects of the embodiments described herein will become more readily apparent by reference to the following detailed description when taken in conjunction with the accompanying drawings wherein:

[0028] **FIG. 1** shows a network that comprises one embodiment of a control channel system;

[0029] **FIG. 2** shows a network that comprises one embodiment of a control channel system;

[0030] **FIG. 3** shows one embodiment of a server suitable for use in embodiments of a control channel system;

[0031] **FIG. 4** shows one embodiment of a control channel digest for use in embodiments of a control channel system;

[0032] **FIG. 5** shows one embodiment of a method for use in embodiments of a control channel system;

[0033] **FIG. 6** shows one embodiment of a method for use in embodiments of a control channel system;

[0034] **FIG. 7** shows one embodiment of an information server for use in embodiments of a control channel system;

[0035] **FIG. 8** shows one embodiment of a method for use in embodiments of a control channel system;

[0036] FIG. 9 shows one embodiment of a server suitable for use in embodiments of a control channel system; and

[0037] FIG. 10 shows one embodiment of an information server suitable for use in embodiments of a control channel system.

DESCRIPTION

[0038] In one or more embodiments, a control channel system is provided that operates to efficiently delivery a CC digest to wireless devices in a network. In one embodiment, the system allows server digests from multiple servers to be consolidated into a single CC digest that is delivered to wireless devices. The system is especially well suited for use in wireless network environments, but may be used in any type of network environment, including but not limited to, communication networks, public networks, such as the Internet, private networks, such as virtual private networks (VPN), local area networks, wide area networks, long haul networks, or any other type of data network.

[0039] FIG. 1 shows a network 100 that comprises one embodiment of a control channel system. The network 100 comprises a control channel server (CCS) 102 that is in communication with three information servers (104, 106, and 108) utilizing a data network 110. The information servers (104, 106, and 108) operate to perform various functions for devices in communication with the network 110. For example, the server 104 may be a content server that provides content to the devices on the network 110. The server 106 may be a program guide (PG) server that provides a PG to devices on the network 110. The PG may describe the content that is available from the server 104. The server 108 may be an administrative server that provides administrative services to devices on the network 110. The administrative services may comprise support services, billing and invoicing, licensing information, or any other type of service.

[0040] Each of the information servers (104, 106, and 108) maintains a server digest that describes information about the services provided by that server. The server digests are updated to reflect any service changes that may occur. The information servers (104, 106, and 108) operate to transmit their server digests through the data network 110 to the CCS 102. For example, the server 104 transmits its content digest as shown by path 112, the server 106 transmits its PG digest as shown by path 114, and the server 108 transmits its Admin digest as shown by path 116.

[0041] The CCS 102 operates to receive the server digests from the information servers (104, 106, and 108) and assemble a CC digest 118 that describes all the content and/or services provided by the servers (104, 106, and 108). The CC digest may be in any suitable format and may be encrypted using any suitable encryption technology.

[0042] A wireless device 120 is in communication with the network 110 through a wireless communication link 122. The wireless communication link 122 may comprise any suitable communication technology. The wireless device 120 may comprise any type of device, including but not limited to, a mobile telephone, PDA, email device, pager, notebook computer or any other type of device.

[0043] In one embodiment, the CCS 102 operates to broadcast the CC digest 118 over the network 110 so that devices on the network are able to listen to the broadcast and receive the CC digest 118. For example, a broadcast (shown by path 130) may be received by the device 120 using the communication link 122. The device 120 may determine from the broadcast that the broadcasted CC digest is a newer version than what the device has stored locally. Thus, the device may receive portions of the broadcasted CC digest that are new, or the entire CC digest and then update its locally stored copy, as shown at 128.

[0044] In another embodiment, the device communicates with the CCS 102 at periodic or random intervals, as shown by the path 124. In response to the communication, the CCS 102 operates to transmit the CC digest 118 to the device, as shown by path 126. The device may then update its locally stored copy of the CC digest 128.

[0045] Once the device 120 has obtained the latest CC digest, it may communicate directly with one or more of the information servers (104, 106, and 108) to obtain available content and/or services described in the CC digest, as shown by path 132.

[0046] Therefore, a CC server (i.e., server 102) operates to provide one or more embodiments of a control channel system by performing one or more of the following functions.

1. Maintain a CC digest.
2. Receive one or more server digests.
3. Update the CC digest with the latest server digest information.
4. Broadcast/multicast the CC digest over a network.
5. Receive a communication from a device.

6. Transmit the CC digest directly to the communicating device.

[0047] Thus, embodiments of the control channel system operate to efficiently provide a device with a CC digest that describes the current state of a distribution system. It should be noted that the configuration of the network 100 is just one configuration, and that other network configurations are possible within the scope of the embodiments.

[0048] FIG. 2 shows a network 200 that comprises one embodiment of a control channel system. The network 200 comprises a control channel server (CCS) 202 that is in communication with three information servers (204, 206, and 208) utilizing a data network 210. The information servers (204, 206, and 208) operate to perform various functions for devices in communication with the network 110. For example, the server 204 may be a content server that provides content to the devices on the network 210. The server 206 may be a program guide (PG) server that provides a PG to devices on the network 210. The PG may describe the content that is available from the server 204. The server 208 may be an administrative server that provides administrative services to devices on the network 210. The administrative services may comprise support services, billing and invoices, licensing information, or any other type of service.

[0049] Each of the information servers (204, 206, and 208) maintains a server digest (not shown) that describes the current state of that server. The server digests are updated to reflect any service changes that may occur. The servers (204, 206, and 208) operate to transmit their server digests through the data network 210 to the CCS 202. For example, the server 204 transmits its server digest as shown by path 212, the server 206 transmits its server digest as shown by path 214, and the server 208 transmits its server digest as shown by path 216.

[0050] The CCS 202 operates to receive the server digests from the servers (204, 206, and 208) and assemble a CC digest 218 that describes the current state of all the servers (204, 206, and 208). The CC digest 218 may be in any suitable format and may be encrypted using any suitable encryption technology.

[0051] In one embodiment, the CCS 202 operates to transmit the CC digest 218 back to the servers (204, 206 and 208). As a result, the servers (204, 206, and 208) receive an updated copy of the CC digest 218.

[0052] A wireless device 220 is in communication with the network 210 through a wireless communication link 222. The wireless communication link 222 may comprise

any suitable communication technology. The wireless device **220** may comprise any type of device, including but not limited to, a mobile telephone, PDA, email device, pager, notebook computer or any other type of device.

[0053] In one embodiment, any of the servers (**204**, **206**, and **208**) may operate to broadcast/multicast their server information over the network **210**. For example, the server **208** may broadcast any of its information, as shown by path **224**. As part of the broadcast, the server **208** includes its copy of the CC digest **218**. Thus, any device capable of receiving the broadcast from the server **208** will be able to receive the CC digest **218**.

[0054] In another embodiment, the device **220** periodically or randomly communicates with any of the servers (**204**, **206**, and **208**). For example, the device **220** communicates with the server **208**, as shown by path **226**. In response to the communication, the server **208** operates to transmit any requested information along with the CC digest **218** to the device, as shown by path **228**. The device **220** receives the information from the server **208** along with the CC digest **218** and operates to update its locally stored copy of the digest, as shown at **230**.

[0055] Therefore, a CC server (i.e., server **202**) operates to provide one or more embodiments of a control channel system by performing one or more of the following functions.

1. Maintain a CC digest.
2. Receive one or more server digests from one or more servers.
3. Update the CC digest with the latest server digest information.
4. Transmit the CC digest back to the one or more servers

[0056] Therefore, an information server (i.e., server **208**) operates to provide one or more embodiments of a control channel system by performing one or more of the following functions.

1. Maintain a server digest.
2. Transmit the server digest to a CC server.
3. Receive a CC digest.
4. Broadcast/multicast the CC digest with any server information.
5. Receive a communication from a device.

6. Transmit server information along with the CC digest directly to the communicating device.

[0057] Thus, embodiments of the control channel system operate to efficiently provide a wireless device with a CC digest that describes the current state of a distribution system. It should be noted that the configuration of the network 200 is just one configuration, and that other network configurations are possible within the scope of the embodiments.

[0058] FIG. 3 shows one embodiment of a server 300 for use in embodiments of a control channel system. For example, the server 300 is suitable for use as the server 102 shown in FIG. 1 or the server 202 shown in FIG. 2. The server 300 comprises processing logic 302, transceiver logic 304, and memory 306 that are coupled to an internal data bus 308.

[0059] In one or more embodiments, the processing logic 302 comprises a CPU, processor, gate array, hardware logic, memory elements, virtual machine, software, and/or any combination of hardware and software. Thus, the processing logic 302 generally comprises logic to execute machine-readable instructions and to control or communicate with one or more other functional elements of the server 300 via the internal data bus 308.

[0060] The transceiver logic 304 comprises hardware logic and/or software that operate to allow the server 300 to transmit and receive data and/or other information with remote devices or systems using communication link 310. For example, in one embodiment, the communication link 310 comprises any suitable type of communication link 310 to allow the server 300 to communicate over a network.

[0061] In one embodiment, the transceiver logic 304 comprises logic configured to receive server digests from one or more servers through the communication link 310. The transceiver logic 304 also comprises logic configured to broadcast information over a network using the communication link 310. The transceiver logic 304 also comprises logic configured directly transmit (i.e., unicast or point-to-point) information to a particular network entity, such as a network server or a wireless device, using the communication channel 310.

[0062] The memory 308 comprises any suitable memory device operable to store any type of information. For example, the memory 308 may comprise RAM, Flash memory, EEPROM, hard disk, and/or any other type of storage device. In one

embodiment, the memory 308 operates to store one or more server digests that are received from one or more servers.

[0063] During operation of one or more embodiments, the server 300 received one or more server digests and stores them in the memory 308. For example, the transceiver logic 304 received the server digests (312, 314, and 316) through the communication link 310 and stores them in the memory 306. In one embodiment, the processing logic 302 operates to process server digests (312, 314, and 316) stored in the memory 308 to generate a CC digest 318 that comprises information from the stored server digests. For example, the CC digest 318 describes the current state of a distribution system. The processing logic 302 then operates to transmit the CC digest 318 to servers and/or devices on a network using the transceiver logic 304 and communication link 310.

[0064] In one embodiment, the control channel system comprises a computer program having one or more program instructions (“program instructions”) stored on a computer-readable medium, which when executed by at least one processor, for instance, the processing logic 302, provides the functions described herein. For example, the program instructions may be loaded into the server 300 from a computer-readable media, such as a floppy disk, CDROM, memory card, FLASH memory device, RAM, ROM, or any other type of memory device or computer-readable medium that interfaces to the server 300. In another embodiment, the instructions may be downloaded into the server 300 from an external device or network resource that interfaces to the server 300 through the transceiver logic 304. The program instructions, when executed by the processing logic 302, provide embodiments of a control channel system as described herein.

[0065] As a result, embodiments of the control channel system operate to process received server digests to generate a CC digest that is transmitted to servers and/or devices on a data network. Thus, embodiments of the control channel system operate to efficiently deliver to servers and other devices a CC digest that describe the state of a distribution system.

[0066] FIG. 4 shows one embodiment of a CC digest 400 for use in embodiments of a control channel system. For example, the digest 400 is suitable for use as the CC digest 318 shown in FIG. 3. In one embodiment, the CC digest 400 comprises a server identifier 402, a state identifier 404, a version identifier 406, and a requirements identifier 408.

[0067] The server identifier **402** identifies a server associated with state information contained in the CC digest **400**. The state identifier **404** identifies a current state of an associated server. For example, current state of the “PG Server” is “Guide_State”, which may be any type of state identifier used to identify any type of state.

[0068] The version identifier **406** identifies a version of a particular state. For example, the version of the “Guide_State” is “2.0V.” The requirements identifier **408** identifies one or more other states a device would need to have in order for the device to use a particular server state. For example, if a device would like to update to the current state of the “PG Server”, it would also be required to update to the at least the state of the “Admin Server” that is identified by (“Admin_State” version “1.2V”). Thus, it is possible for the CC digest to identify the current state of a particular server and to also identify one or more minimum requirements that a device should have in order to operate at the identified state. For example, the device may need to update to an identified state of one or more servers in order to update to the current state of a particular server.

[0069] It should be noted that the CC digest **400** is just one implementation, and that other implementations are possible within the scope of the embodiments.

[0070] **FIG. 5** shows one embodiment of a method **500** for use in embodiments of a control channel system. For clarity, the method **500** is described herein with reference to the server **300** shown in **FIG. 3**. For example, in one embodiment, the processing logic **302** executes machine-readable instructions to perform the functions described below.

[0071] At block **502**, a broadcast/multicast of a current version of a CC digest is performed. For example, the processing logic **302** controls the transceiver logic **304** to broadcast/multicast the current version of the CC digest **318** over a data network. As a result, devices on the network may receive this version and update their locally stored copies.

[0072] At block **504**, one or more server digests are received. For example, the server digests are received by the transceiver logic **304** through the communication link **310** and stored in the memory **306**. The server digests are transmitted from one or more servers over a network to the server **300**.

[0073] At block **506**, a current version of the CC digest is updated with information from the received server digests. For example, in one embodiment, the processing logic

302 retrieves information from the received server digests stored in the memory **306** and updates the CC digest **318**.

[0074] In one embodiment, the method then proceeds along path **512** to block **502** where the newly updated CC digest **318** is broadcast/multicast to devices on a network. The devices listening to the broadcast/multicast may then update their local copies of the CC digest. In another embodiment, the method proceeds to block **508**.

[0075] At block **508**, communications from a device are received. For example, the device may be a portable device that was previously in a power-down mode or was otherwise unavailable. Thus, the device may have missed previous broadcasts of the CC digest.

[0076] At block **510**, the CC digest is transmitted to the communicating device. For example, in response to receiving communications from the device, the processing logic **302** controls the transceiver logic **304** to transmit the CC digest **318** directly to the device using the communication link **310**. The method then proceeds to block **502**.

[0077] Thus, the method **500** operates to provide one embodiment of a control channel system that operates to efficiently deliver a CC digest to devices on a network. It should be noted that the method **500** represents just one implementation and that other implementations are possible within the scope of the embodiments.

[0078] **FIG. 6** shows one embodiment of a method **600** for use in embodiments of a control channel system. For clarity, the method **600** is described herein with reference to the server **300** shown in **FIG. 3**. For example, in one embodiment, the processing logic **302** executes machine-readable instructions to perform the functions described below.

[0079] At block **602**, a CC digest is maintained. For example, in one embodiment, the processing logic **302** operates to maintain the CC digest **318** in the memory **306**.

[0080] At block **604**, one or more server digests are received. For example, the server digests are received by the transceiver logic **304** through the communication link **310** and stored in the memory **306**. The server digests are transmitted from one or more servers over a network to the server **300**.

[0081] At block **606**, a current version of the CC digest is updated with information from the received server digests. For example, in one embodiment, the processing logic **302** retrieves information from the received server digests stored in the memory **306** and updates the CC digest **318**.

[0082] At block 608, the updated CC digest is transmitted back to one or more servers. For example, in one embodiment, the processing logic 302 controls the transceiver logic 304 to transmit the CC digest 318 to one or more servers on a data network using the communication link 310. For example, in one embodiment, the CC digest 318 is transmitted to all servers that are part of a distribution system so that all servers will know the current state of the distribution system. Thus, the CC digest 318 may be transmitted to any number of servers so that each of the servers will have an updated copy of the CC digest 318. As a result, each server is able to provide an updated copy of the CC digest in any communications it may have with devices on a network.

[0083] Thus, the method 600 operates to provide one embodiment of a control channel system that operates to efficiently deliver a CC digest to servers on a network. It should be noted that the method 600 represents just one implementation and that other implementations are possible within the scope of the embodiments.

[0084] FIG. 7 shows one embodiment of an information server 700 for use in embodiments of a control channel system. For example, the server 700 is suitable for use as any of the servers 104, 106, or 108, shown in FIG. 1. The server 700 comprises processing logic 702, transceiver logic 704, and memory 706 that are coupled to an internal data bus 708.

[0085] In one or more embodiments, the processing logic 702 comprises a CPU, processor, gate array, hardware logic, memory elements, virtual machine, software, and/or any combination of hardware and software. Thus, the processing logic 702 generally comprises logic to execute machine-readable instructions and to control or communicate with one or more other functional elements of the server 700 via the internal data bus 708.

[0086] The transceiver logic 704 comprises hardware logic and/or software that operate to allow the server 700 to transmit and receive data and/or other information with remote devices or systems using communication link 710. For example, in one embodiment, the communication link 710 comprises any suitable type of communication link 710 to allow the server 700 to communicate over a network.

[0087] In one embodiment, the transceiver logic 704 comprises logic configured to receive a CC digest from a CC server through the communication link 710. The transceiver logic 704 also comprises logic configured to broadcast information over a

network using the communication link 710. The transceiver logic 704 also comprises logic configured directly transmit (i.e., unicast or point-to-point) information to a particular network entity, such as a network server or a wireless device, using the communication channel 710.

[0088] The memory 708 comprises any suitable memory device operable to store any type of information. For example, the memory 708 may comprise RAM, Flash memory, EEPROM, hard disk, and/or any other type of storage device. In one embodiment, the memory 708 operates to store one or more server digests that are maintained at the server 700.

[0089] During operation of one or more embodiments, the server 700 maintains one or more server digests and stores them in the memory 708. For example, the server digest 712 is maintained at the server 700. The server digest 712 describes the current state of the server 700. The server 700 operates to transmit the server digest 712 to a CC server using the transceiver logic 704. For example, the transceiver logic 704 transmits the server digest 712 through the communication link 710 to a CC server. In one embodiment, the transceiver logic 704 communicates with the CC server using a data network.

[0090] The CC server then operates to transmit a CC digest to the server 700. For example, the CC digest is received by the transceiver logic 704 using the communication link 710. The processing logic 702 then stores the received CC digest in the memory, as shown at 714. For example, the CC digest 714 describes the current state of a distribution system.

[0091] In one embodiment, when the server transmits its server digest 712 to devices on a data network, it also transmits the CC digest at the same time. For example, the processing logic 702 controls the transceiver logic 704 to transmit the server digest 712 and/or the CC digest 714 over a data network using the communication link 710. In another embodiment, when the server 700 receives request for information from devices on a data network, the server 700 responds to the information request and includes the CC digest 714 in its response. For example, the processing logic 702 controls the transceiver logic 704 to transmit requested information and the CC digest 714 directly to a requesting device using the communication link 710. Thus, devices requesting information from the server 700 will receive a copy of the CC digest 714.

[0092] In one embodiment, the control channel system comprises a computer program having one or more program instructions (“program instructions”) stored on a computer-readable medium, which when executed by at least one processor, for instance, the processing logic 702, provides the functions described herein. For example, the program instructions may be loaded into the server 700 from a computer-readable media, such as a floppy disk, CDROM, memory card, FLASH memory device, RAM, ROM, or any other type of memory device or computer-readable medium that interfaces to the server 700. In another embodiment, the instructions may be downloaded into the server 700 from an external device or network resource that interfaces to the server 700 through the transceiver logic 704. The program instructions, when executed by the processing logic 702, provide embodiments of a control channel system as described herein.

[0093] As a result, embodiments of the control channel system operate to process received server digests to generate a CC digest that is transmitted to one or more information servers on a data network. When an information server responds to information requests from a device, it includes a copy of the CC digest so that the device will be able to determine the current state of the distribution system. Thus, embodiments of the control channel system operate to efficiently deliver to a device a CC digest that describes the state of a distribution system.

[0094] FIG. 8 shows one embodiment of a method 800 for use in embodiments of a control channel system. The method 800 is suitable for use by an information server in embodiments of a control channel system. For example, the information server may be the Admin server 108 shown in FIG. 1. For clarity and ease of description, the method 800 will be described with reference to the information server 700 shown in FIG. 7. In one embodiment, at least one processor, such as the processing logic 702, operates to perform the functions of the information server described below.

[0095] At block 802, a server digest is updated with the latest server information. For example, the processing logic 702 updates its server digest 712 with information relative to the state of content and services it provides.

[0096] At block 804, the updated server digest is transmitted to a CC server. For example, the processing logic 702 controls the transceiver logic 704 to transmit the server digest 712 to a CC server using the communication link 710.

[0097] At block 806, an updated CC digest is received. For example, a CC server transmits the CC digest 714 to the information server 700. In one embodiment, the processing logic 702 receives the CC digest 714 and stores it in the memory 706.

[0098] At block 808, the CC digest is transmitted as part of a broadcast/multicast from the information server. For example, the server 700 may broadcast or multicast administrative information to devices on a network as part of its normal operations. In addition to its own information, the received CC digest 714 is included in the transmission. In one embodiment, the transceiver logic 704 broadcasts the information and CC digest 714 over a data network using the communication link 710. Thus, any device capable of receiving the broadcast/multicast from the server 700 will be able to receive the CC digest 714.

[0099] At block 810, a device communication is received. For example, a device communicates with the server 700 to request any type of server information. For example, the device may request support or any other administrative function. In one embodiment, the device communications are received by the transceiver logic 704 and passed to the processing logic 702.

[00100] At block 812, the CC digest is transmitted with other server information. For example, the server 700 responds to the communication from the device by transmitting server information directly to the device. The server 700 operates to include the CC digest 714 as part of this transmission. Thus, any device that communicates with the server 700 will receive the CC digest 714.

[00101] Thus, the method 800 operates to provide one embodiment of a control channel system that operates to efficiently deliver a CC digest to devices on a network. It should be noted that the method 800 represents just one implementation and that other implementations are possible within the scope of the embodiments.

[00102] FIG. 9 shows one embodiment of a CC server 900 for use in embodiments of a control channel system. For example, the CC server 900 is suitable for use as the server 102 in FIG. 1.

[00103] The CC server 900 comprises means (902) for receiving one or more server digests, means (904) for generating a CC digest, means (906) for transmitting the CC digest to one or more information servers, means (908) for broadcasting/multicasting the CC digest over a data network, means (910) for receiving communications from a device, and means (912) for transmitting the CC digest to a device.

[00104] In one or more embodiments, the means of the CC server 900 may be implemented or performed with a general purpose processor, a digital signal processor (DSP), an application specific integrated circuit (ASIC), a field programmable gate array (FPGA) or other programmable logic device, discrete gate or transistor logic, discrete hardware components, or any combination thereof designed to perform the functions described herein.

[00105] FIG. 10 shows one embodiment of an information server 1000 for use in embodiments of a control channel system. For example, the information server 1000 is suitable for use as any of the information servers 104, 106, or 108 shown in FIG. 1.

[00106] The information server 1000 comprises means (1002) for generating a server digest, means (1004) for transmitting a server digest to a CC server, means (1006) for receiving a CC digest, means (1008) for broadcasting/multicasting the CC digest over a data network, means (1010) for receiving communications from a device, and means (1012) for transmitting the CC digest to a device.

[00107] In one or more embodiments, the means of the information server 1000 may be implemented or performed with a general purpose processor, a digital signal processor (DSP), an application specific integrated circuit (ASIC), a field programmable gate array (FPGA) or other programmable logic device, discrete gate or transistor logic, discrete hardware components, or any combination thereof designed to perform the functions described herein.

[00108] The various illustrative logics, logical blocks, modules, and circuits described in connection with the embodiments disclosed herein may be implemented or performed with a general purpose processor, a digital signal processor (DSP), an application specific integrated circuit (ASIC), a field programmable gate array (FPGA) or other programmable logic device, discrete gate or transistor logic, discrete hardware components, or any combination thereof designed to perform the functions described herein. A general-purpose processor may be a microprocessor, but, in the alternative, the processor may be any conventional processor, controller, microcontroller, or state machine. A processor may also be implemented as a combination of computing devices, e.g., a combination of a DSP and a microprocessor, a plurality of microprocessors, one or more microprocessors in conjunction with a DSP core, or any other such configuration.

[00109] The steps of a method or algorithm described in connection with the embodiments disclosed herein may be embodied directly in hardware, in a software module executed by a processor, or in a combination of the two. A software module may reside in RAM memory, flash memory, ROM memory, EPROM memory, EEPROM memory, registers, a hard disk, a removable disk, a CD-ROM, or any other form of storage medium known in the art. An exemplary storage medium is coupled to the processor, such that the processor can read information from, and write information to, the storage medium. In the alternative, the storage medium may be integral to the processor. The processor and the storage medium may reside in an ASIC. The ASIC may reside in a user terminal. In the alternative, the processor and the storage medium may reside as discrete components in a user terminal.

[00110] The description of the disclosed embodiments is provided to enable any person skilled in the art to make or use the present invention. Various modifications to these embodiments may be readily apparent to those skilled in the art, and the generic principles defined herein may be applied to other embodiments, e.g., in an instant messaging service or any general wireless data communication applications, without departing from the spirit or scope of the invention. Thus, the present invention is not intended to be limited to the embodiments shown herein but is to be accorded the widest scope consistent with the principles and novel features disclosed herein. The word “exemplary” is used exclusively herein to mean “serving as an example, instance, or illustration.” Any embodiment described herein as “exemplary” is not necessarily to be construed as preferred or advantageous over other embodiments.

[00111] Accordingly, while embodiments of a control channel system have been illustrated and described herein, it will be appreciated that various changes can be made to the embodiments without departing from their spirit or essential characteristics. Therefore, the disclosures and descriptions herein are intended to be illustrative, but not limiting, of the scope of the invention, which is set forth in the following claims.

CLAIMS**WHAT IS CLAIMED IS:**

1. A method for providing a control channel in a data network, the method comprising:
 - receiving one or more server digests;
 - generating a control channel digest from the one or more server digests;
 - communicating with a device; and
 - transmitting the control channel digest to the device.
2. The method of claim 1, wherein said receiving comprises receiving the one or more server digests from one or more information servers, respectively.
3. The method of claim 1, further comprising updating the control channel digest.
4. A method for providing a control channel in a data network, the method comprising:
 - receiving one or more server digests;
 - generating a control channel digest from the one or more server digests; and
 - broadcasting the control channel digest over the data network.
5. The method of claim 4, wherein said receiving comprises receiving the one or more server digests from one or more information servers in a content distribution system, respectively.
6. The method of claim 4, further comprising updating the control channel digest.
7. A method for providing a control channel in a data network, the method comprising:
 - receiving one or more server digests from one or more servers;
 - generating a control channel digest from the one or more server digests; and
 - transmitting the control channel digest to the one or more servers.

8. The method of claim 7, further comprising updating the control channel digest.

9. A method for providing a control channel in a data network, the method comprising:

transmitting a server digest;
receiving a control channel digest
communicating with a device; and
transmitting the control channel digest to the device.

10. The method of claim 9, further comprising broadcasting the control channel digest over the data network.

11. Apparatus for providing a control channel in a data network, the apparatus comprising:

means for receiving one or more server digests;
means for generating a control channel digest from the one or more server digests;
means for communicating with a device; and
means for transmitting the control channel digest to the device.

12. The apparatus of claim 11, wherein said means for receiving comprises means for receiving the one or more server digests from one or more information servers, respectively.

13. The apparatus of claim 11, further comprising means for updating the control channel digest.

14. Apparatus for providing a control channel in a data network, the apparatus comprising:

means for receiving one or more server digests;
means for generating a control channel digest from the one or more server digests; and
means for broadcasting the control channel digest over the data network.

15. The apparatus of claim 14, wherein said means for receiving comprises means for receiving the one or more server digests from one or more information servers in a content distribution system, respectively.

16. The apparatus of claim 14, further comprising means for updating the control channel digest.

17. Apparatus for providing a control channel in a data network, the apparatus comprising:

means for receiving one or more server digests from one or more servers;

means for generating a control channel digest from the one or more server digests; and

means for transmitting the control channel digest to the one or more servers.

18. The apparatus of claim 17, further comprising means for updating the control channel digest.

19. Apparatus for providing a control channel in a data network, the apparatus comprising:

means for transmitting a server digest;

means for receiving a control channel digest

means for communicating with a device; and

means for transmitting the control channel digest to the device.

20. The apparatus of claim 19, further comprising means for broadcasting the control channel digest over the data network.

21. Apparatus for providing a control channel in a data network, the apparatus comprising:

processing logic configured to receive one or more server digests, and generate a control channel digest from the one or more server digests; and

transceiver logic configured to communicate with a device, and transmit the control channel digest to the device.

22. The apparatus of claim 21, wherein said processing logic is configured to receive the one or more server digests from one or more information servers, respectively.

23. The apparatus of claim 21, wherein said processing logic is configured to update the control channel digest.

24. Apparatus for providing a control channel in a data network, the apparatus comprising:

processing logic configured to receive one or more server digests and to generate a control channel digest from the one or more server digests; and

transceiver logic configured to broadcast the control channel digest over the data network.

25. The apparatus of claim 24, wherein said processing logic is configured to receive the one or more server digests from one or more information servers in a content distribution system, respectively.

26. The apparatus of claim 24, wherein said processing logic is configured to update the control channel digest.

27. Apparatus for providing a control channel in a data network, the apparatus comprising:

processing logic configured to receiving one or more server digests from one or more servers and generate a control channel digest from the one or more server digests; and

transceiver logic configured to transmit the control channel digest to the one or more servers.

28. The apparatus of claim 27, wherein said processing logic is configured to update the control channel digest.

29. Apparatus for providing a control channel in a data network, the apparatus comprising:

processing logic configured to transmit a server digest and receive a control channel digest; and

transceiver logic configured to communicate with a device, and transmit the control channel digest to the device.

30. The apparatus of claim 29, wherein said transceiver logic is configured to broadcast the control channel digest over the data network.

31. A computer-readable medium having a computer program, which when executed by at least one processor, operates to provide a control channel in a data network, the computer program comprising:

instructions for receiving one or more server digests;

instructions for generating a control channel digest from the one or more server digests;

instructions for communicating with a device; and

instructions for transmitting the control channel digest to the device.

32. The computer program of claim 31, wherein said instructions for receiving comprise instructions for receiving the one or more server digests from one or more information servers, respectively.

33. The computer program of claim 31, further comprising instructions for updating the control channel digest.

34. A computer-readable medium having a computer program, which when executed by at least one processor, operates to provide a control channel in a data network, the computer program comprising:

instructions for receiving one or more server digests;

instructions for generating a control channel digest from the one or more server digests; and

instructions for broadcasting the control channel digest over the data network.

35. The computer program of claim 34, wherein said instructions for receiving comprise instructions for receiving the one or more server digests from one or more information servers in a content distribution system, respectively.

36. The computer program of claim 34, further comprising instructions for updating the control channel digest.

37. A computer-readable medium having a computer program, which when executed by at least one processor, operates to provide a control channel in a data network, the computer program comprising:

- instructions for receiving one or more server digests from one or more servers;
- instructions for generating a control channel digest from the one or more server digests; and

- instructions for transmitting the control channel digest to the one or more servers.

38. The computer program of claim 37, further comprising instructions for updating the control channel digest.

39. A computer-readable medium having a computer program, which when executed by at least one processor, operates to provide a control channel in a data network, the computer program comprising:

- instructions for transmitting a server digest;
- instructions for receiving a control channel digest;
- instructions for communicating with a device; and
- instructions for transmitting the control channel digest to the device.

40. The computer program of claim 39, further comprising instructions for broadcasting the control channel digest over the data network.

41. At least one processor configured to perform a method for providing a control channel in a data network, the method comprising:

- receiving one or more server digests;
- generating a control channel digest from the one or more server digests;
- communicating with a device; and
- transmitting the control channel digest to the device.

42. The method of claim 41, wherein said receiving comprises receiving the one or more server digests from one or more information servers, respectively.

43. The method of claim 41, further comprising updating the control channel digest.

44. At least one processor configured to perform a method for providing a control channel in a data network, the method comprising:

receiving one or more server digests;
generating a control channel digest from the one or more server digests; and
broadcasting the control channel digest over the data network.

45. The method of claim 44, wherein said receiving comprises receiving the one or more server digests from one or more information servers in a content distribution system, respectively.

46. The method of claim 44, further comprising updating the control channel digest.

47. At least one processor configured to perform a method for providing a control channel in a data network, the method comprising:

receiving one or more server digests from one or more servers;
generating a control channel digest from the one or more server digests; and
transmitting the control channel digest to the one or more servers.

48. The method of claim 47, further comprising updating the control channel digest.

49. At least one processor configured to perform a method for providing a control channel in a data network, the method comprising:

transmitting a server digest;
receiving a control channel digest;
communicating with a device; and
transmitting the control channel digest to the device.

50. The method of claim 49, further comprising broadcasting the control channel digest over the data network.

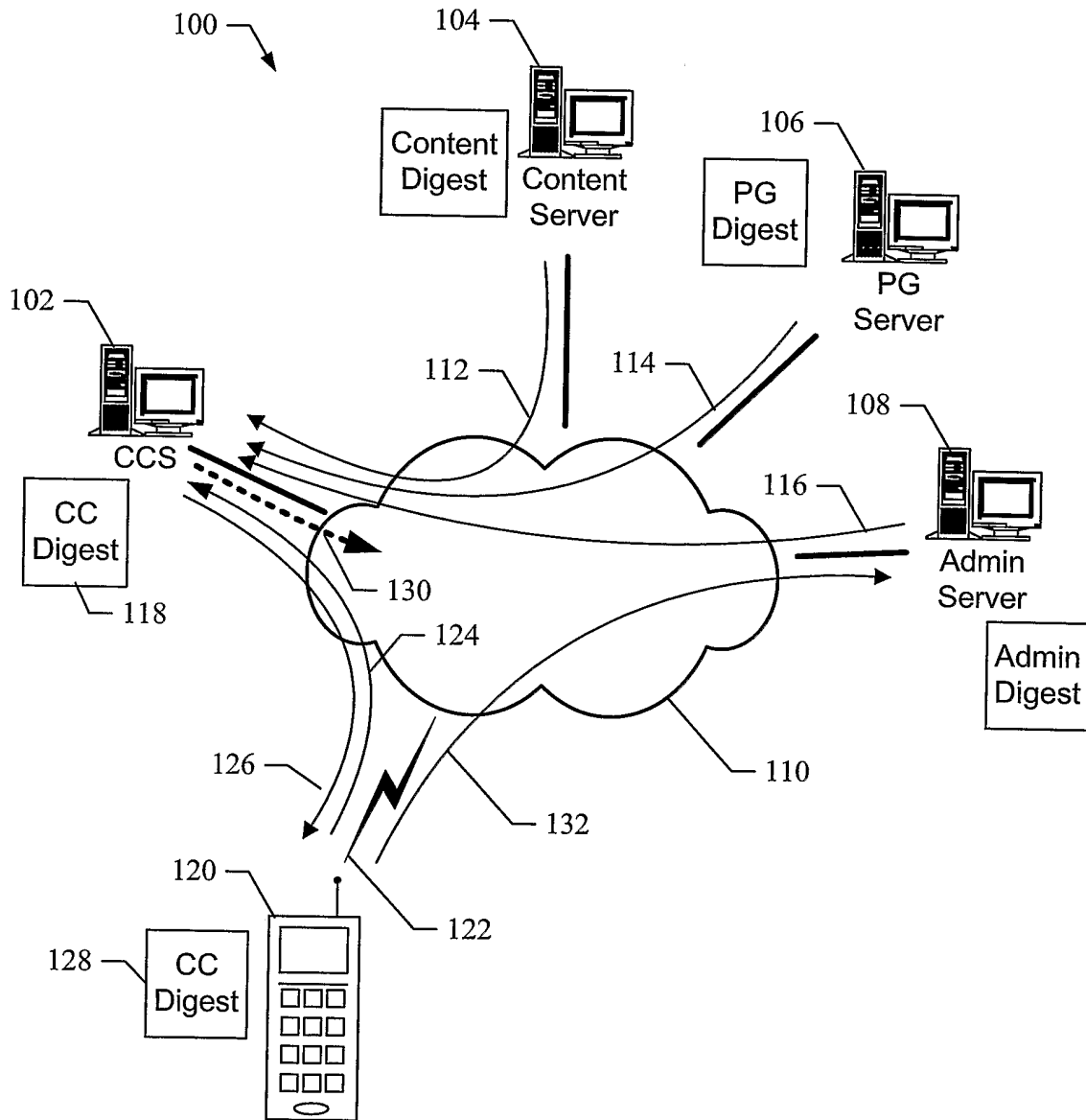


FIG. 1

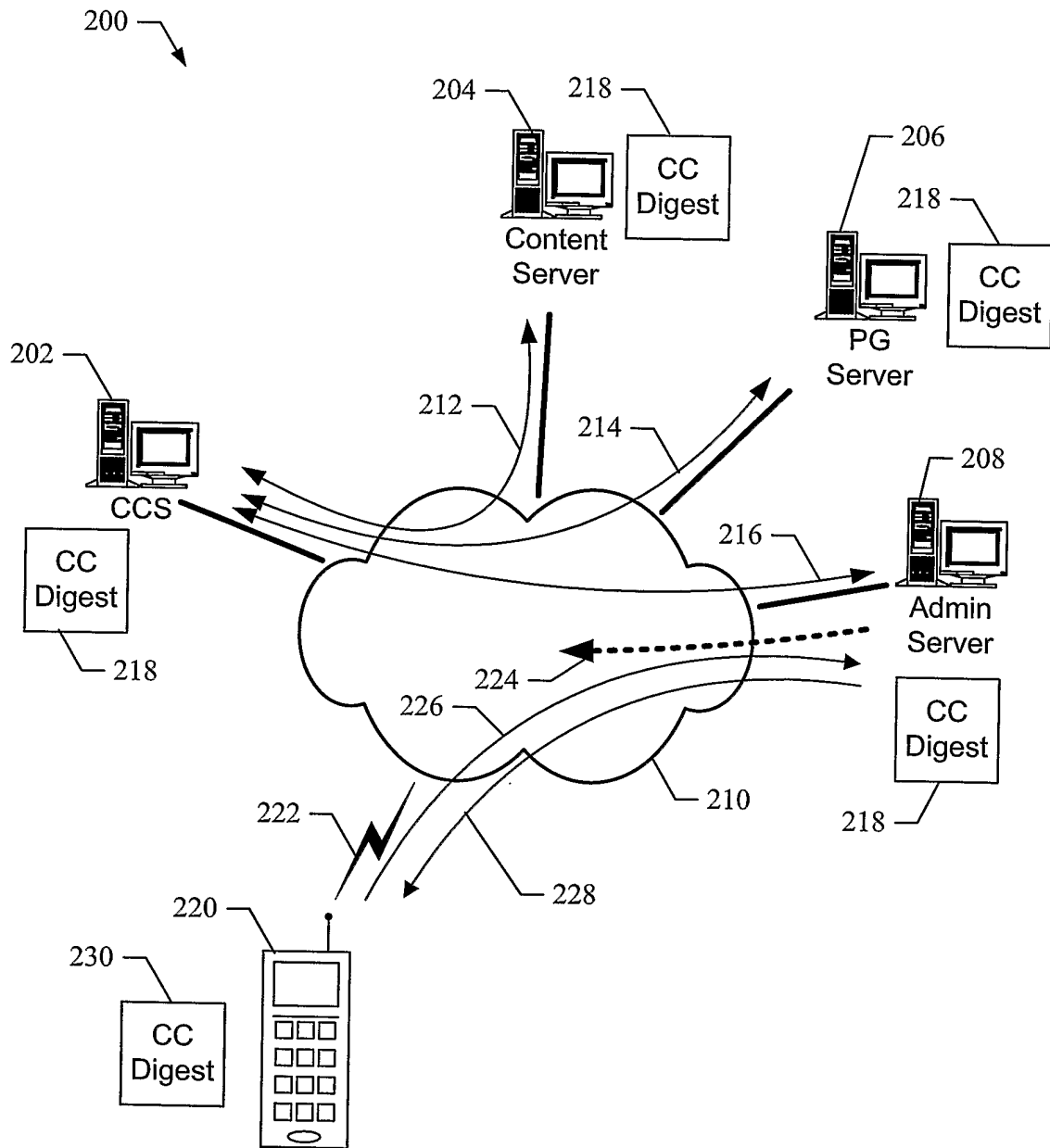


FIG. 2

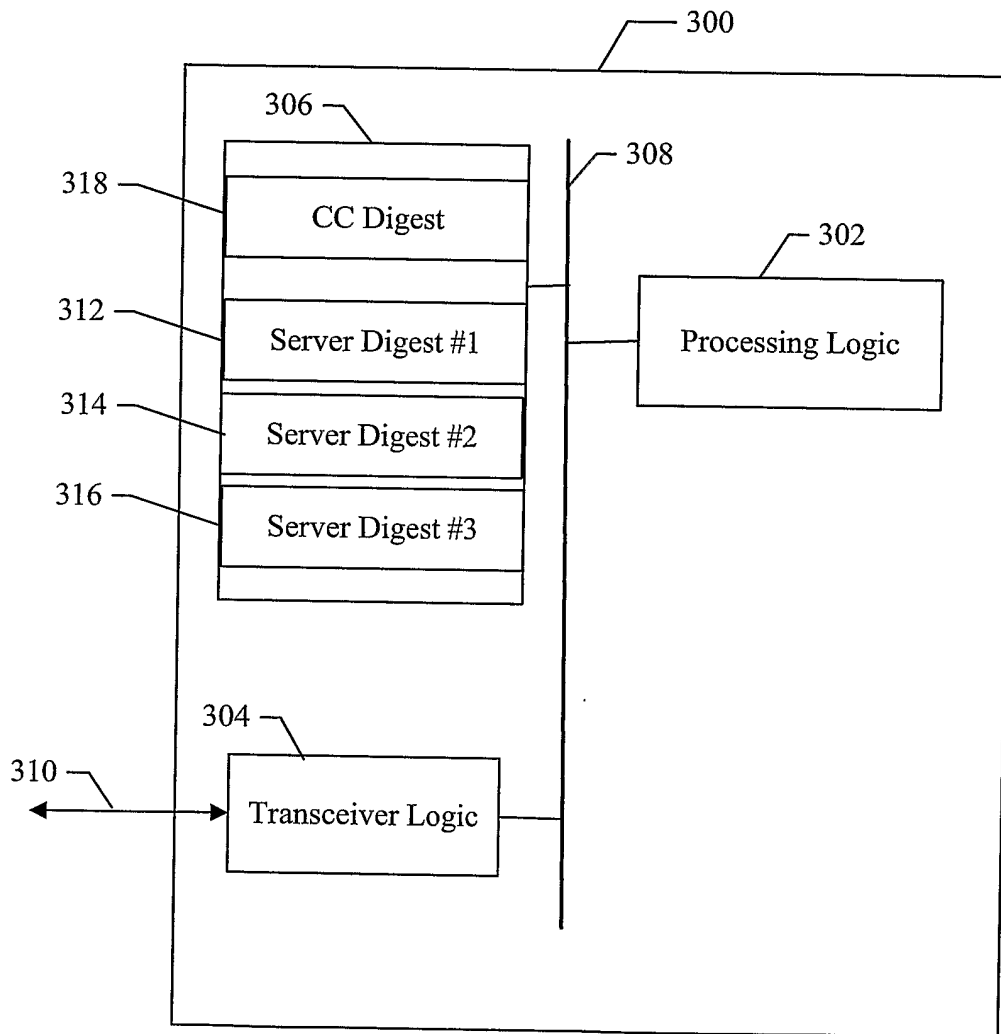


FIG. 3

400

402 404 406 408

<u>Server</u>	<u>State</u>	<u>Version</u>	<u>Required</u>
Content Server	Content_State	1.5V	Admin_State (1.1V)
PG Server	Guide_State	2.0V	Admin_State (1.2V)
Admin Server	Admin_State	1.2V	--

FIG. 4

5/10

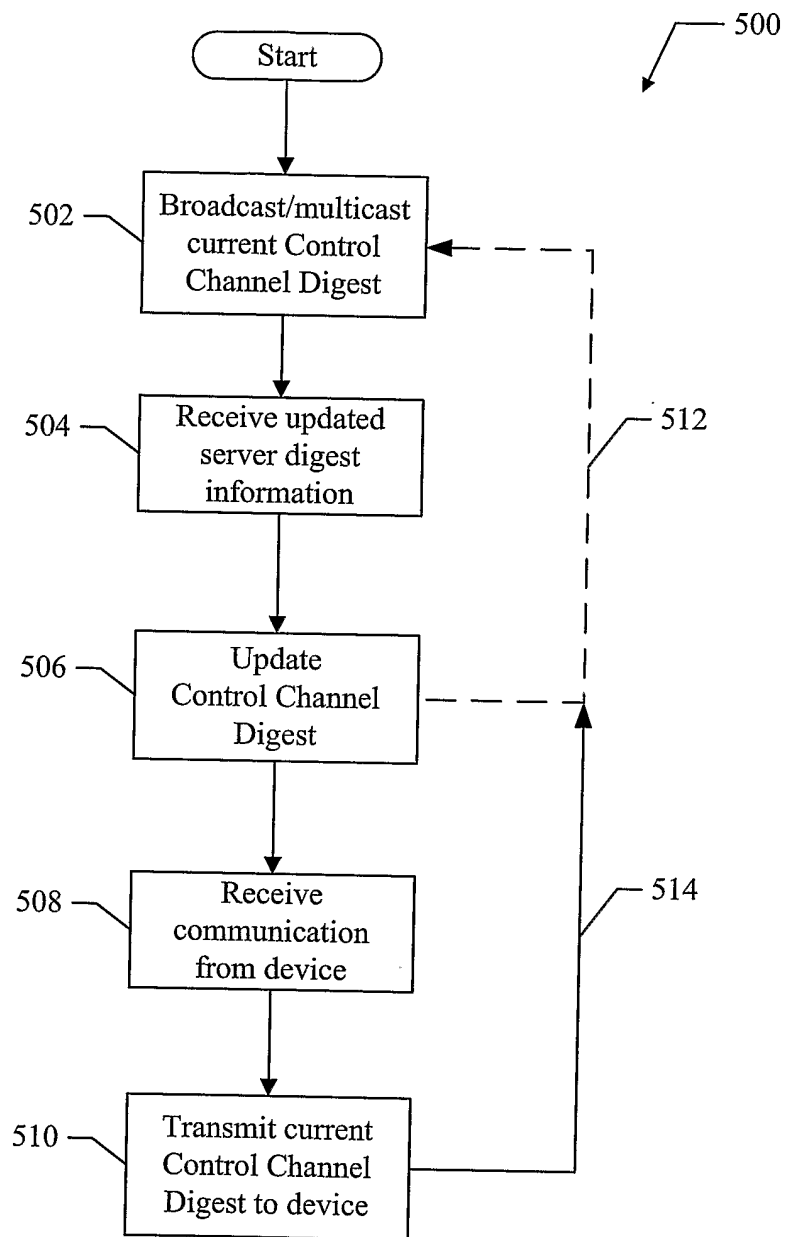


FIG. 5

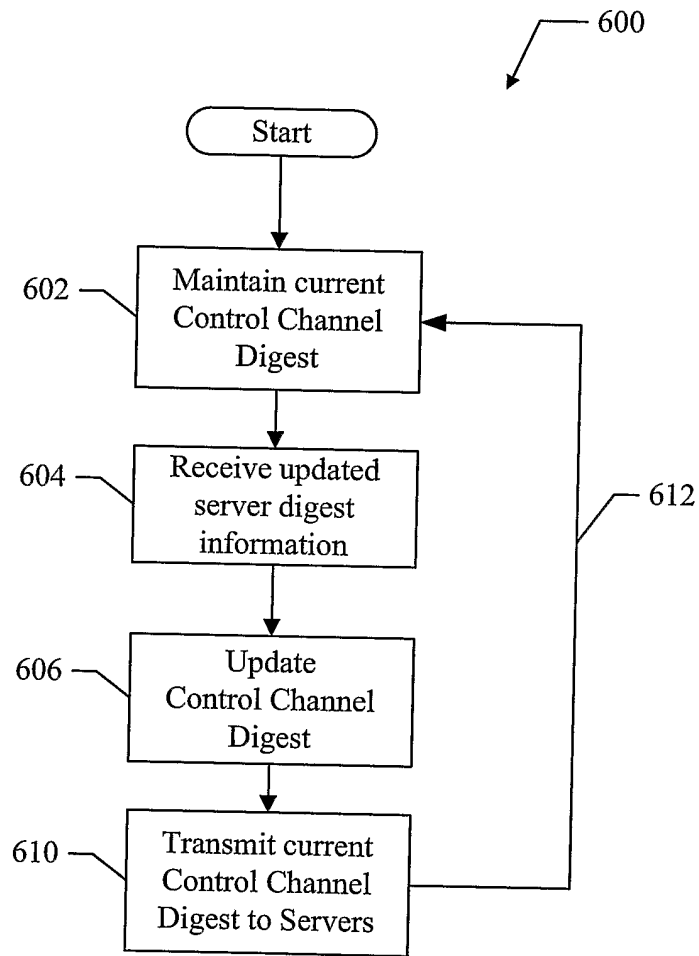


FIG. 6

7/10

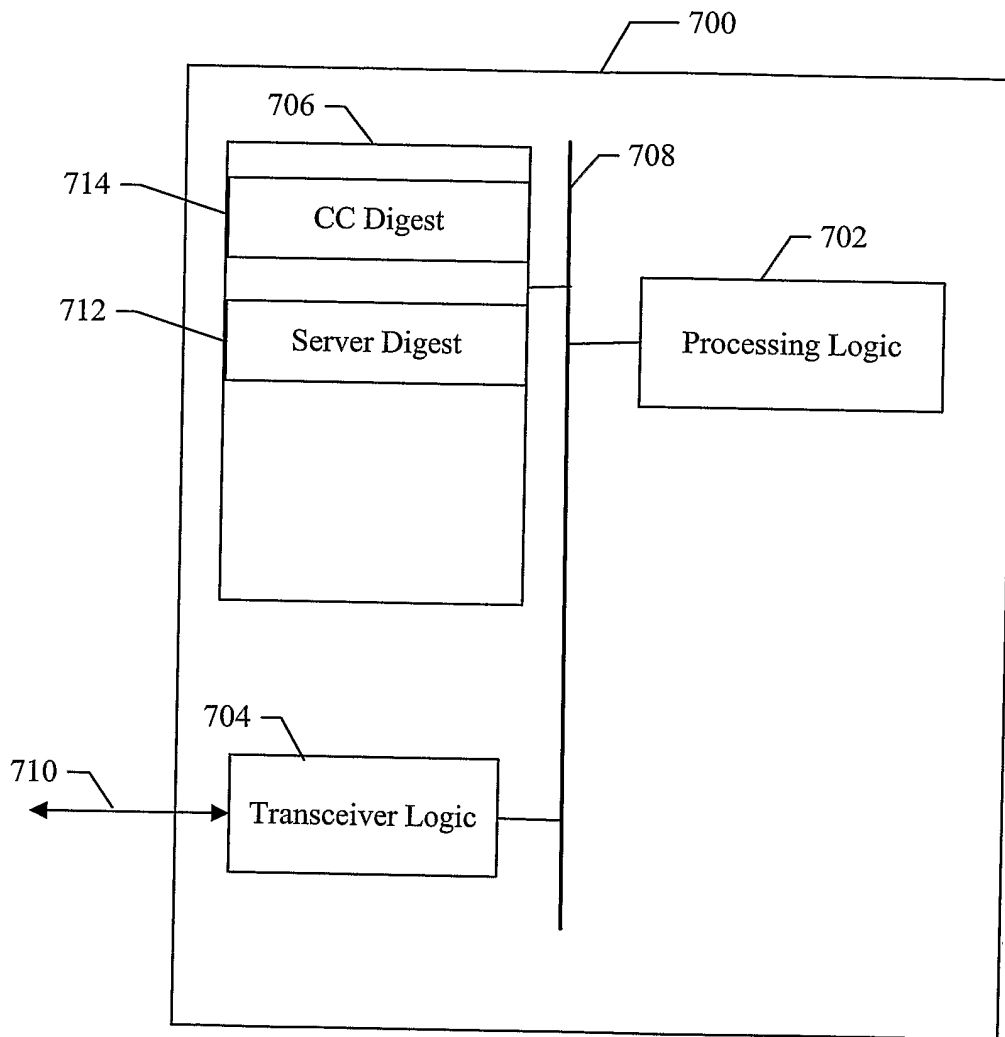


FIG. 7

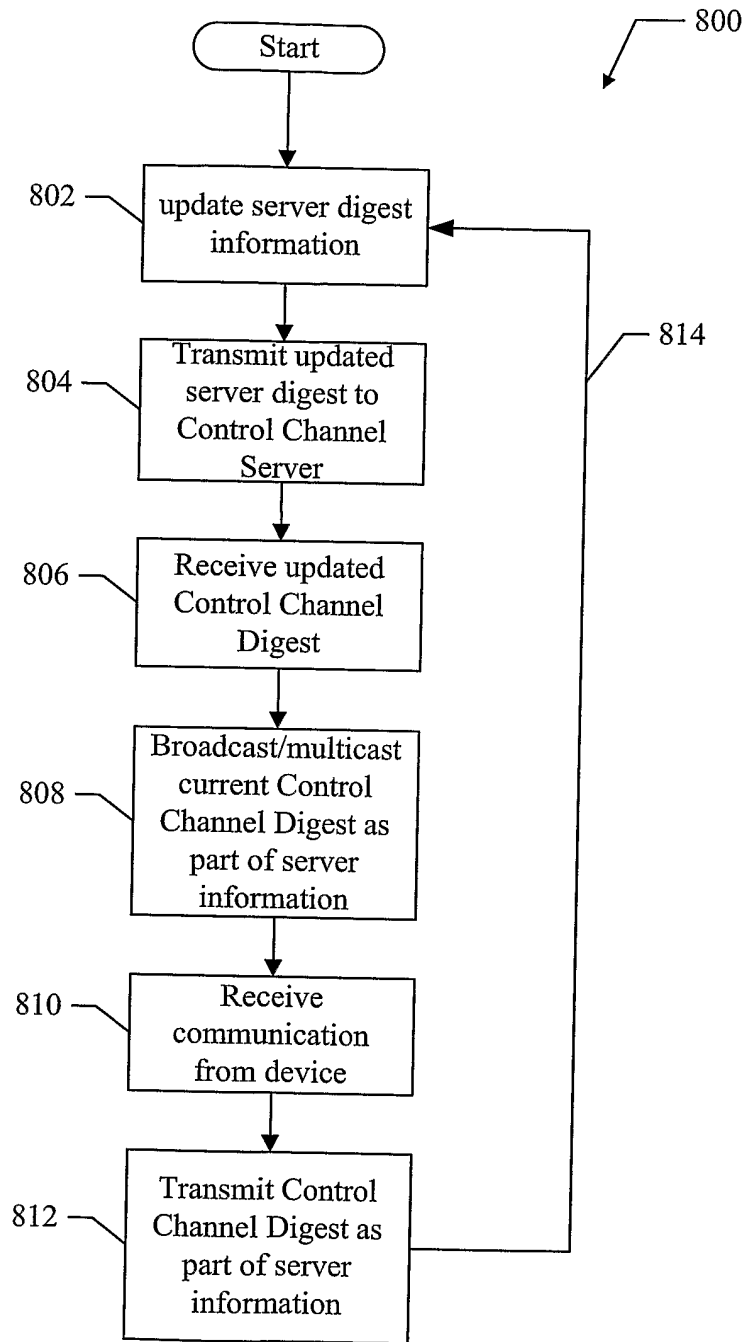


FIG. 8

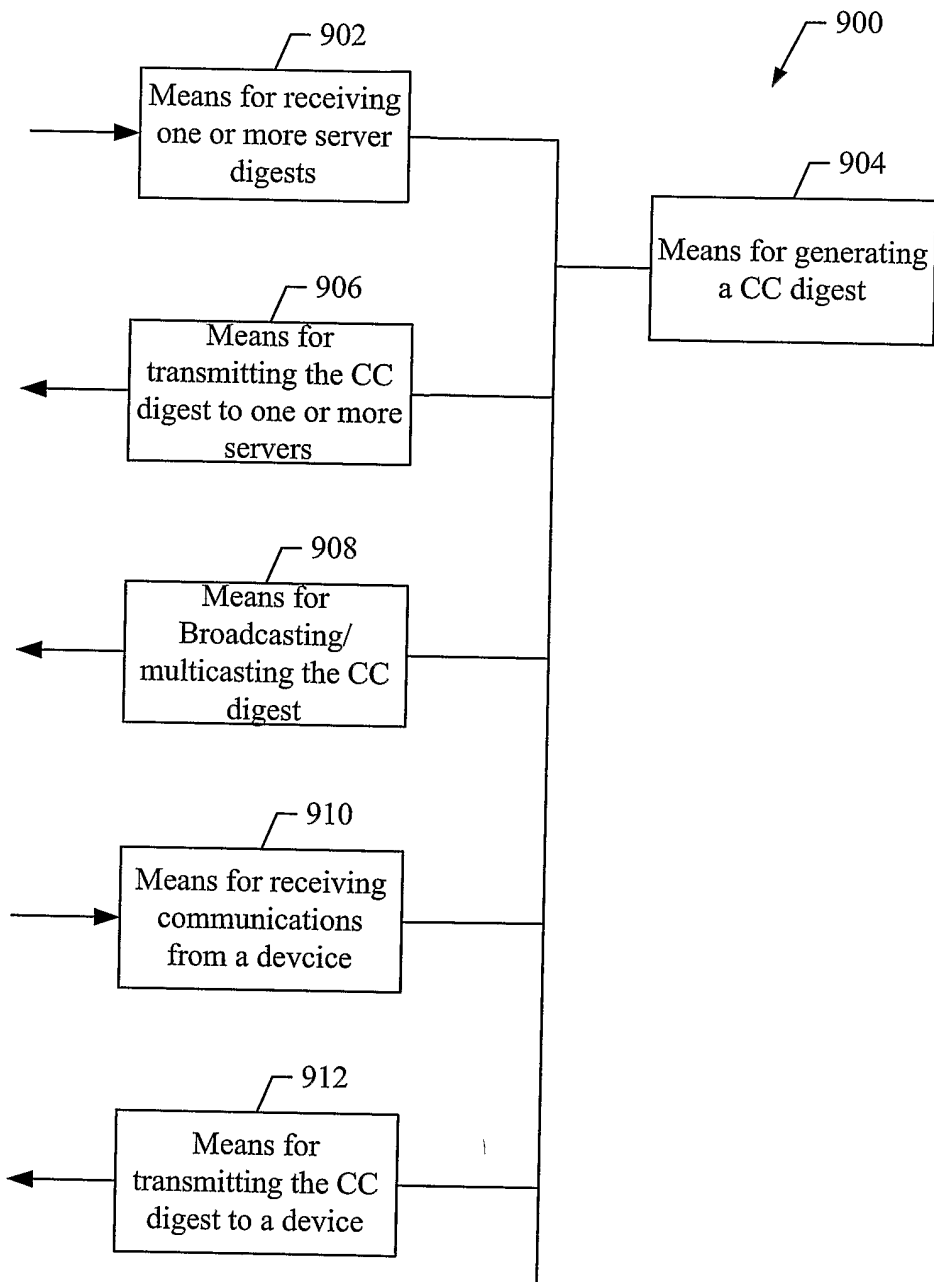


FIG. 9

10/10

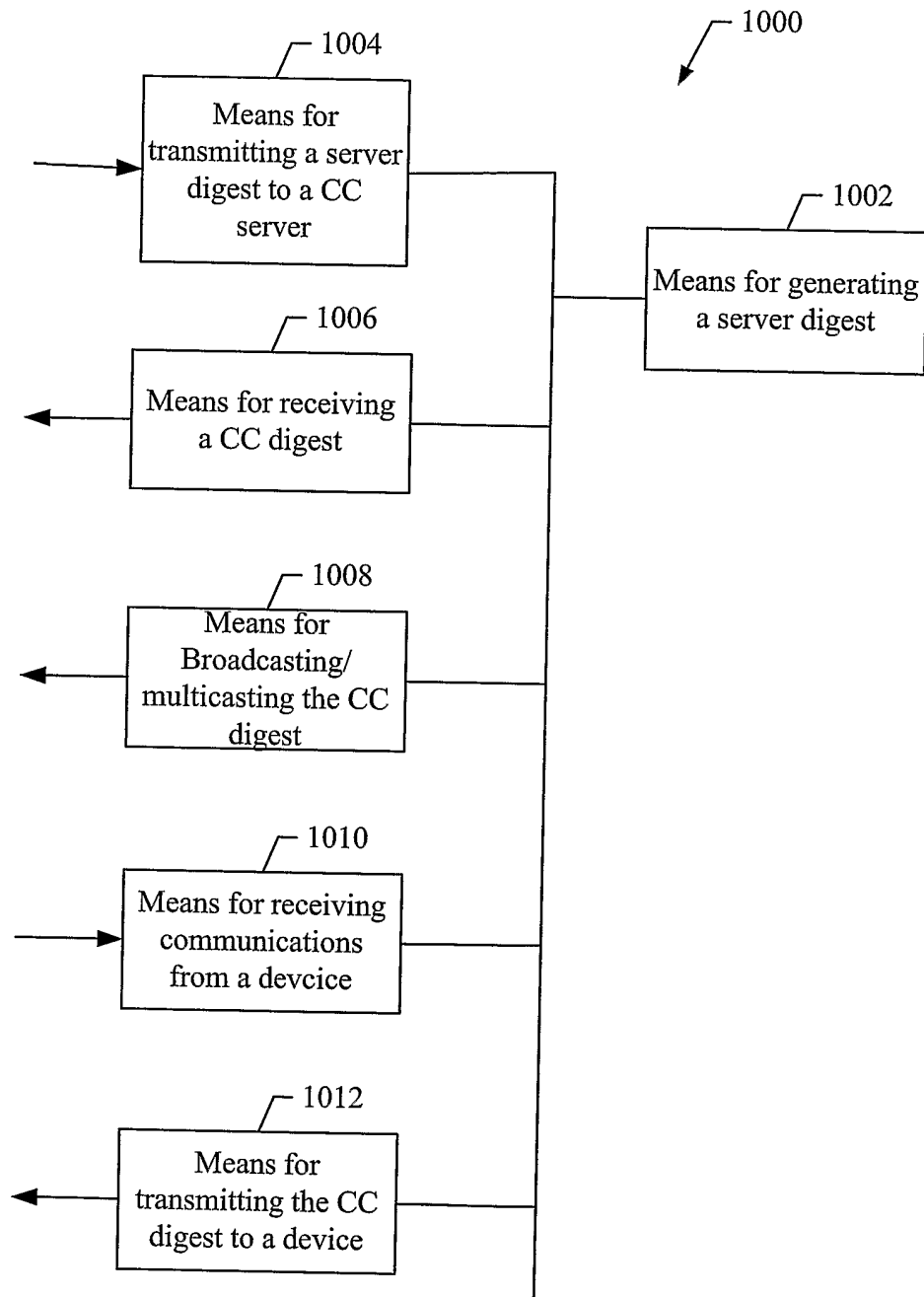


FIG. 10

INTERNATIONAL SEARCH REPORT

International application No
PCT/US2006/007896

A. CLASSIFICATION OF SUBJECT MATTER
INV. H04L29/08

According to International Patent Classification (IPC) or to both national classification and IPC

B. FIELDS SEARCHED

Minimum documentation searched (classification system followed by classification symbols)
H04L H04Q

Documentation searched other than minimum documentation to the extent that such documents are included in the fields searched

Electronic data base consulted during the international search (name of data base and, where practical, search terms used)

EPO-Internal, WPI Data, PAJ

C. DOCUMENTS CONSIDERED TO BE RELEVANT

Category*	Citation of document, with indication, where appropriate, of the relevant passages	Relevant to claim No.
X	WO 2005/015880 A (TPRESENCE, INC) 17 February 2005 (2005-02-17) abstract page 4, line 7 - page 5, line 7 page 17, line 11 - page 17, line 21 page 26, line 2 - page 26, line 14	1-50
A	US 2004/137917 A1 (OHTO YASUNORI ET AL) 15 July 2004 (2004-07-15) the whole document	1-50
A	EP 0 615 364 A (NCR INTERNATIONAL, INC; LUCENT TECHNOLOGIES INC) 14 September 1994 (1994-09-14) the whole document	1-50

Further documents are listed in the continuation of Box C.

See patent family annex.

* Special categories of cited documents :

- *A* document defining the general state of the art which is not considered to be of particular relevance
- *E* earlier document but published on or after the international filing date
- *L* document which may throw doubts on priority claim(s) or which is cited to establish the publication date of another citation or other special reason (as specified)
- *O* document referring to an oral disclosure, use, exhibition or other means
- *P* document published prior to the international filing date but later than the priority date claimed

- *T* later document published after the international filing date or priority date and not in conflict with the application but cited to understand the principle or theory underlying the invention
- *X* document of particular relevance; the claimed invention cannot be considered novel or cannot be considered to involve an inventive step when the document is taken alone
- *Y* document of particular relevance; the claimed invention cannot be considered to involve an inventive step when the document is combined with one or more other such documents, such combination being obvious to a person skilled in the art.
- *&* document member of the same patent family

Date of the actual completion of the international search

24 July 2006

Date of mailing of the international search report

07/08/2006

Name and mailing address of the ISA/
European Patent Office, P.B. 5818 Patentlaan 2
NL - 2280 HV Rijswijk
Tel. (+31-70) 340-2040, Tx. 31 651 epo nl,
Fax: (+31-70) 340-3016

Authorized officer

Pereira, M

INTERNATIONAL SEARCH REPORT

Information on patent family members

International application No

PCT/US2006/007896

Patent document cited in search report	Publication date	Patent family member(s)	Publication date
WO 2005015880	A	17-02-2005	NONE
US 2004137917	A1	15-07-2004	JP 2004221680 A US 2006143266 A1
EP 0615364	A	14-09-1994	DE 69426503 D1 DE 69426503 T2 JP 3145242 B2 JP 7058688 A US 6192230 B1