



US0D1067720S

(12) **United States Design Patent**
Melkonian et al.

(10) **Patent No.:** **US D1,067,720 S**

(45) **Date of Patent:** **** Mar. 25, 2025**

(54) **DRIP TRAY**

D557,547 S 12/2007 Knoell et al.
D573,392 S 7/2008 Smith
D583,609 S 12/2008 Sluijter
D585,692 S 2/2009 Borin
D595,992 S 7/2009 Clark et al.
(Continued)

(71) Applicant: **Brio Water Technology, Inc.**, City of Industry, CA (US)

(72) Inventors: **Arman Melkonian**, La Cañada Flintridge, CA (US); **Mark Melkonian**, Northridge, CA (US); **Lance Hussey**, Simi Valley, CA (US); **Joshua Probst**, Culver City, CA (US); **Craig Steele**, Manhattan Beach, CA (US); **Cary Chow**, Santa Monica, CA (US); **Ravi Sawhney**, Malibu, CA (US)

FOREIGN PATENT DOCUMENTS

CN 301805466 * 11/2010
CN 111772481 A 10/2020
IN 302466 * 2/2018

OTHER PUBLICATIONS

(73) Assignee: **Brio Water Technology, Inc.**, City of Industry, CA (US)

Avalon Water Dispenser, posted at Amazon.com on May 24, 2018, [site visited May 24, 2024]. Available from internet, URL: <https://www.amazon.com/Avalon-Countertop-Bottleless-Dispenser-Temperatures/dp/B079VHRG56/> (Year: 2018).*

(**) Term: **15 Years**

(Continued)

(21) Appl. No.: **29/930,790**

Primary Examiner — Andrew Kerr
Assistant Examiner — Chariton Alexakis

(22) Filed: **Mar. 2, 2024**

(74) *Attorney, Agent, or Firm* — Foundation Law Group LLP

(51) **LOC (15) Cl.** **07-06**

(52) **U.S. Cl.**
USPC **D7/397**

(58) **Field of Classification Search**
USPC D7/213, 300, 304, 305, 306, 307, 308, D7/309, 310, 311, 312, 313, 387, 395, D7/397, 399, 400; D15/79, 81, 89, 91
CPC A47J 31/0605; A47J 31/4425; A47J 31/4428; A47J 37/049; B67D 1/00; B67D 1/0003; B67D 1/0004; B67D 1/0005; B67D 1/16; F25D 23/12; F25D 23/126; F25D 2331/812; F25D 21/14
See application file for complete search history.

(57) **CLAIM**

The ornamental design for a drip tray as shown and described.

DESCRIPTION

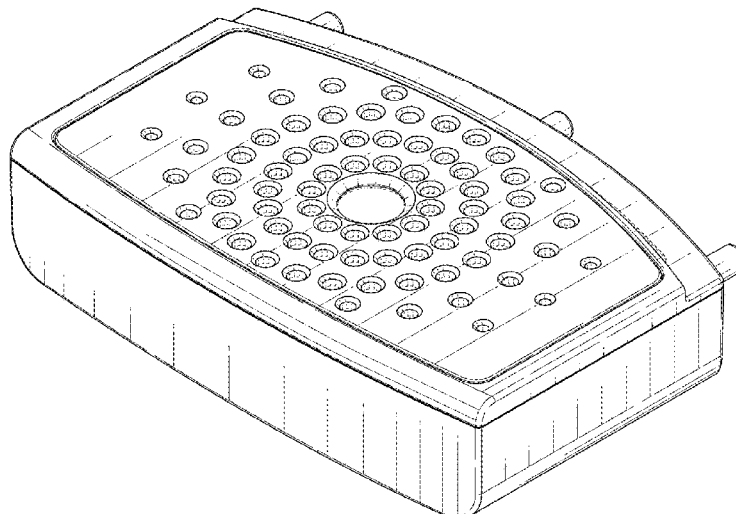
FIG. 1 is a front, top perspective view, showing our new design for a drip tray;
FIG. 2 is a front elevation view thereof;
FIG. 3 is a rear elevation view thereof;
FIG. 4 is a left side elevation view thereof;
FIG. 5 is a right side elevation view thereof;
FIG. 6 is a top plan view thereof; and,
FIG. 7 is a bottom plan view thereof.
The broken lines in the drawings depict portions of the drip tray that form no part of the claimed design.

(56) **References Cited**

U.S. PATENT DOCUMENTS

D473,281 S * 4/2003 Jansson D23/207
D486,880 S * 2/2004 Gracias D23/207
D518,677 S 4/2006 Van Berlo
D538,577 S 3/2007 Glucksman et al.

1 Claim, 4 Drawing Sheets



(56)

References Cited

U.S. PATENT DOCUMENTS

D600,060 S * 9/2009 Fletcher D7/311
 D630,471 S * 1/2011 Wang D7/397
 D638,513 S * 5/2011 Choi D7/307
 D674,240 S * 1/2013 Wilder D7/397
 D682,597 S * 5/2013 Bingul D7/397
 D777,498 S * 1/2017 Bandixen D7/311
 D813,346 S 3/2018 Lee
 D816,797 S * 5/2018 Lim D23/207
 D822,154 S 7/2018 Lee
 D839,036 S * 1/2019 Simani D7/313
 D842,966 S * 3/2019 Shin D23/207
 D876,890 S * 3/2020 Young B67D 1/16
 D893,234 S * 8/2020 Broen D7/397
 D926,285 S 7/2021 Park
 D932,225 S * 10/2021 Gates D7/306
 D947,587 S * 4/2022 Peng D7/311
 D948,268 S 4/2022 Sun et al.
 D966,037 S * 10/2022 Melkonian D7/397
 D996,896 S * 8/2023 Melkonian D7/397
 D998,401 S * 9/2023 Becton D7/311
 11,751,585 B1 9/2023 Anthony et al.
 D1,012,590 S * 1/2024 Spiegel D7/306

12,016,485 B2 * 6/2024 Rijskamp A47J 31/4407
 D1,034,030 S * 7/2024 Melkonian D7/307
 12,024,417 B2 * 7/2024 Cimatti G07F 13/065
 D1,037,751 S * 8/2024 Melkonian D7/311
 D1,043,242 S * 9/2024 Melkonian D7/397
 D1,050,791 S * 11/2024 Zhang D7/306
 D1,052,324 S * 11/2024 Melkonian D7/311
 2021/0186255 A1 * 6/2021 Rijskamp A47J 31/4428

OTHER PUBLICATIONS

Bunn Drip Tray, posted at Amazon.com on Apr. 16, 2019, [site visited May 24, 2024]. Available from internet, URL: <<https://www.amazon.com/Bunn-38765-1000-Drip-Complete-Jdf-2S/dp/B07QS55J3Y/>> (Year: 2019).*

Joyparts Replacement Parts Drip Tray, posted at Amazon.com on Feb. 22, 2022, [site visited May 24, 2024]. Available from internet, URL: <<https://www.amazon.com/Joyparts-Replacement-Compatible-Keurig-Brewing/dp/B09T2YDQKM/>> (Year: 2022).*

SimPure Drip Tray, posted at Amazon.com on Nov. 20, 2023, [site visited May 24, 2024]. Available from internet, URL: <<https://www.amazon.com/SimPure-Y7P-BW-Drip-Tray/dp/B0CNPNNHN2/>> (Year: 2023).*

* cited by examiner

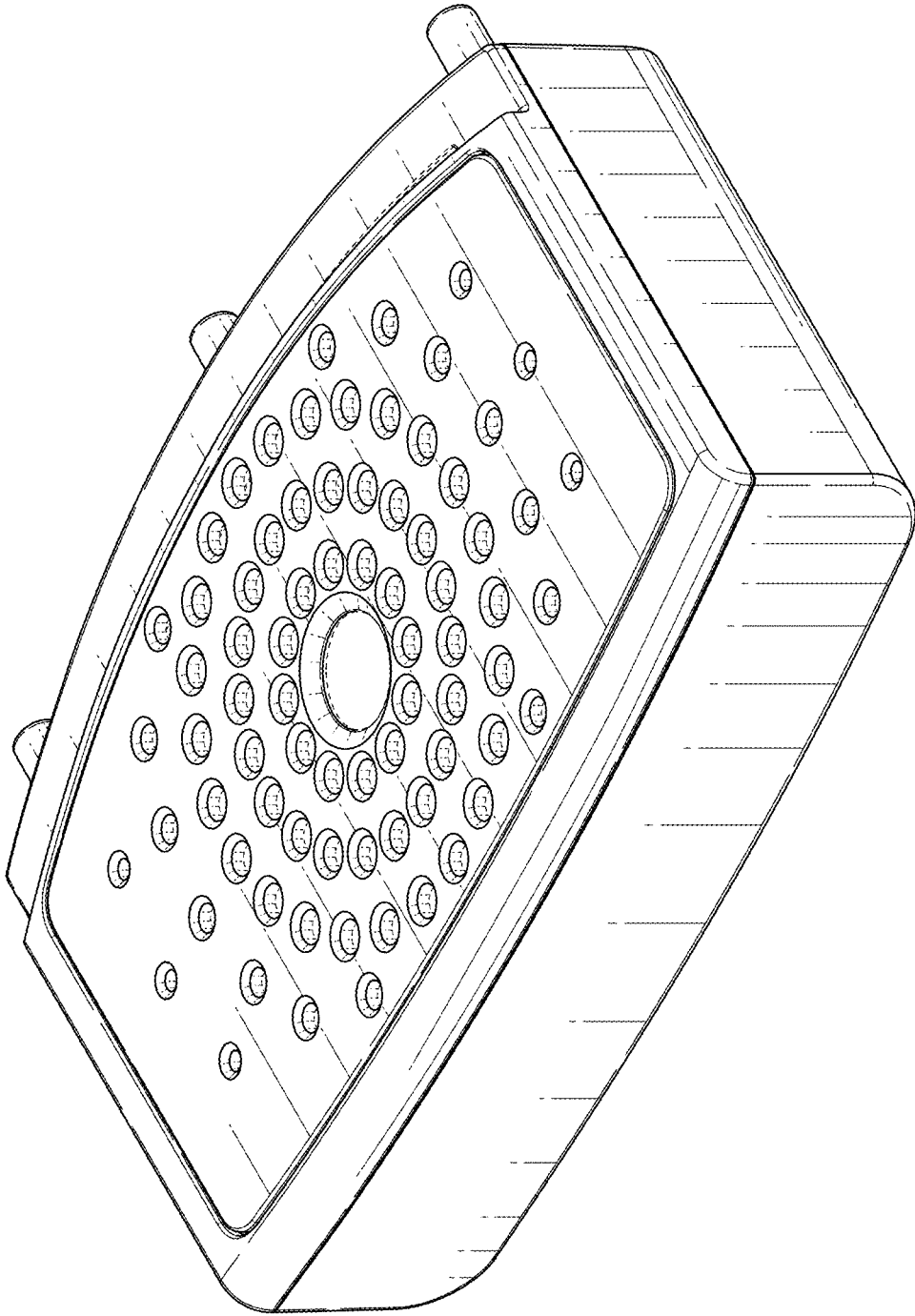


FIG. 1

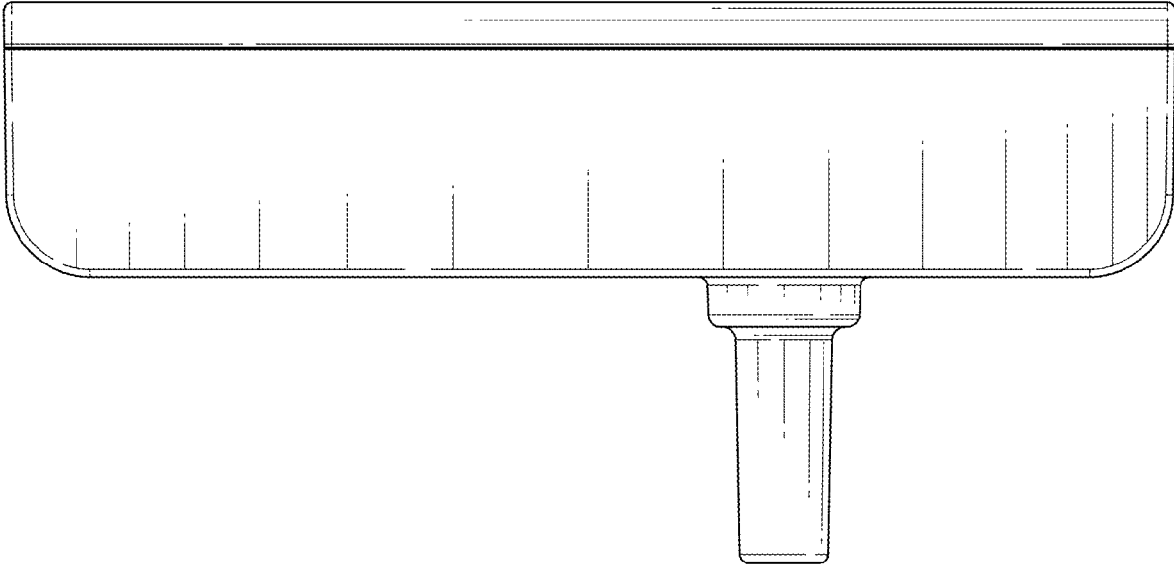


FIG. 2

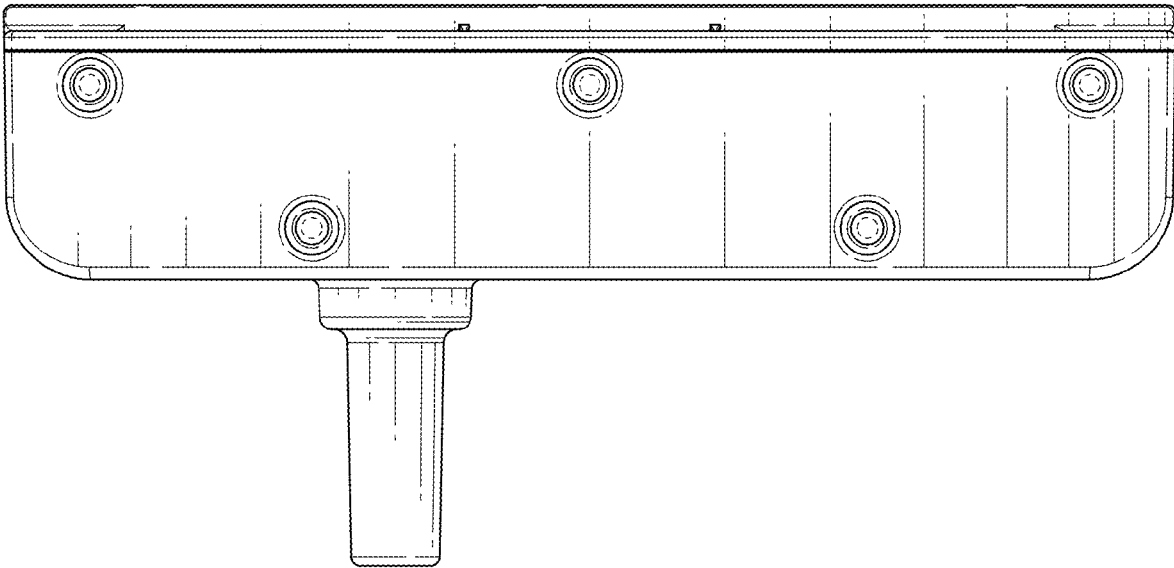


FIG. 3

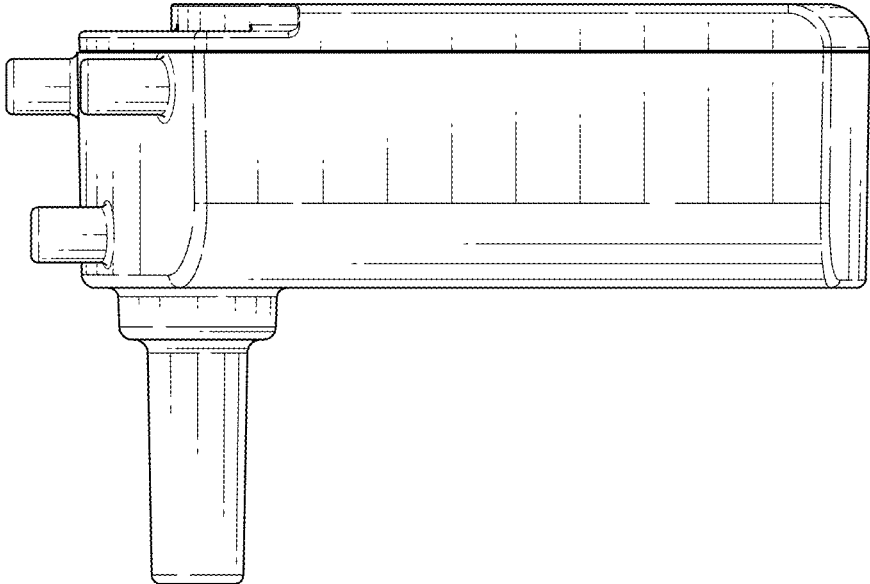


FIG. 4

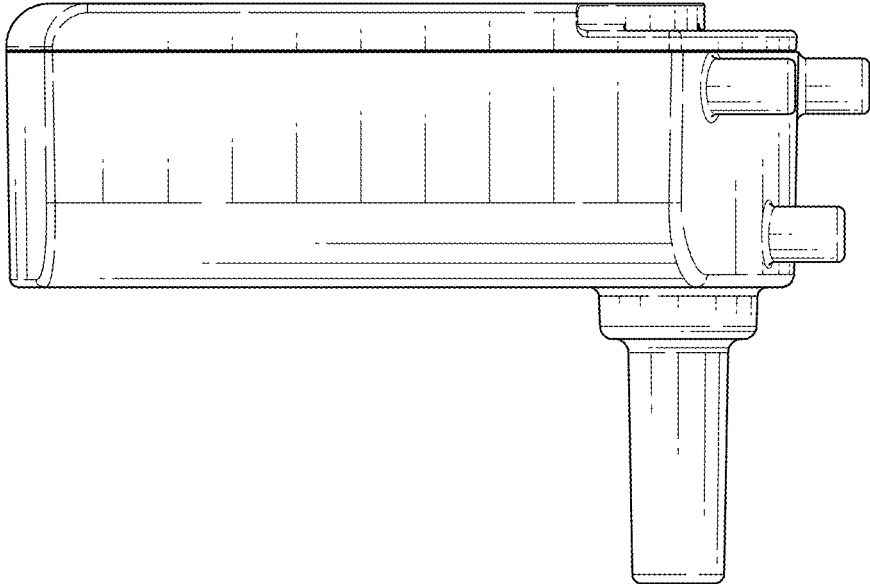


FIG. 5

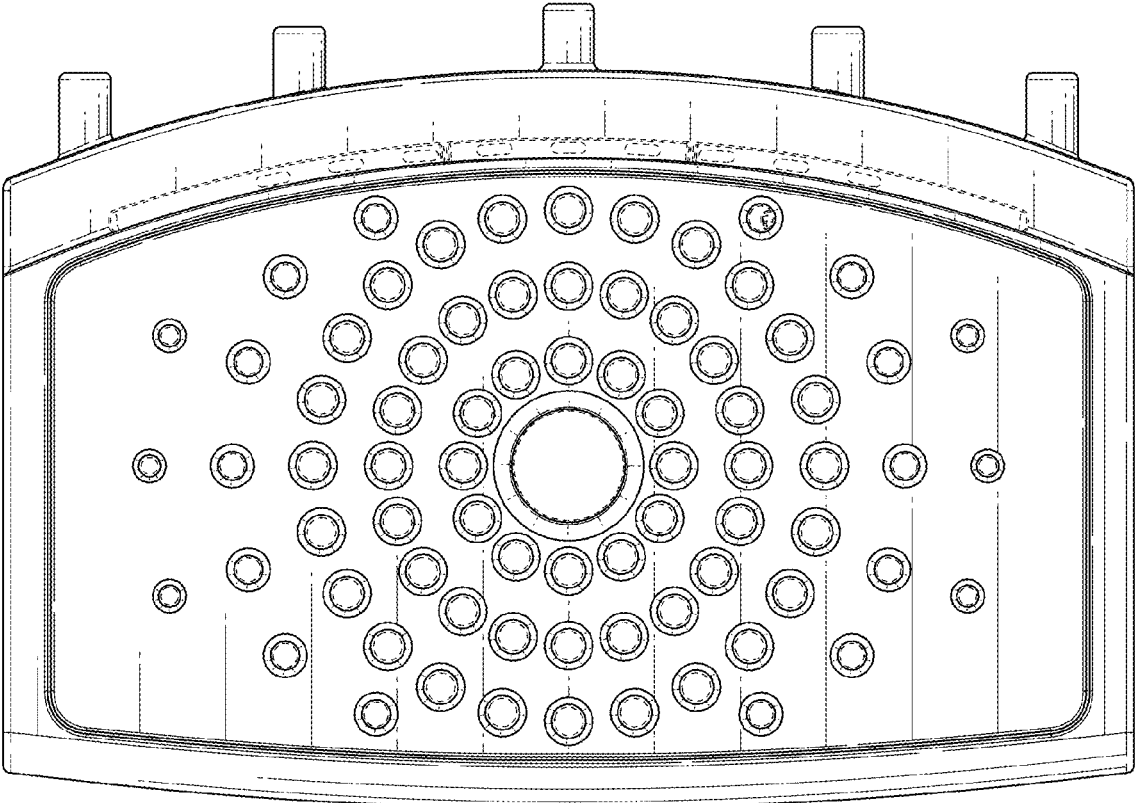


FIG. 6

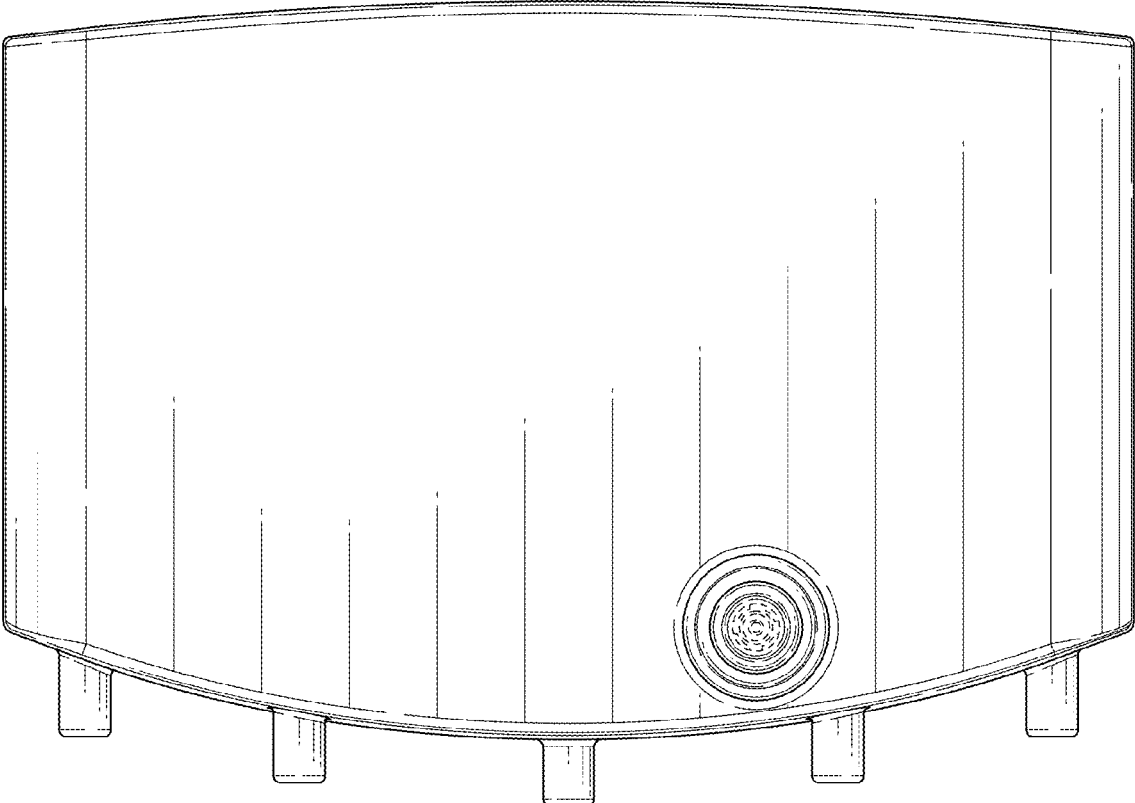


FIG. 7