



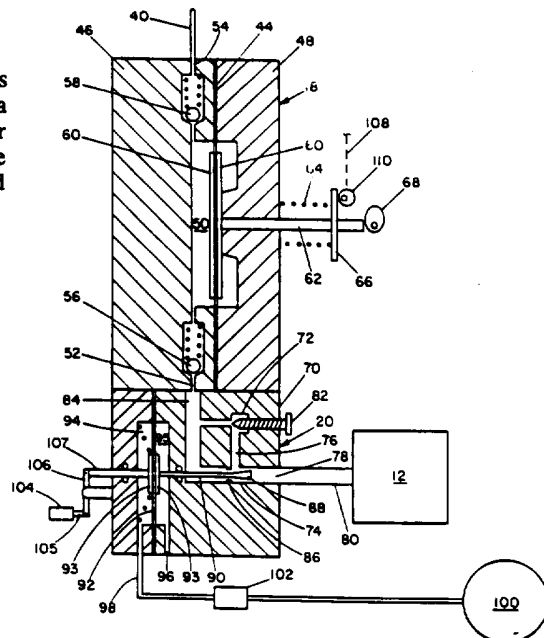
INTERNATIONAL APPLICATION PUBLISHED UNDER THE PATENT COOPERATION TREATY (PCT)

<p>(51) International Patent Classification⁶ : F02M 37/04</p>	<p>A3</p>	<p>(11) International Publication Number: WO 96/12880 (43) International Publication Date: 2 May 1996 (02.05.96)</p>
<p>(21) International Application Number: PCT/US95/13473 (22) International Filing Date: 12 October 1995 (12.10.95) (30) Priority Data: 08/322,922 13 October 1994 (13.10.94) US (71)(72) Applicant and Inventor: PHELPS, Harold, E. [US/US]; 432 Barnes Road, Winston-Salem, NC 27127 (US). (74) Agents: GROH, Irvin, L. et al.; Gifford, Krass, Groh, Sprinkle, Patmore, Anderson & Citkowski, P.C., Suite 400, 280 N. Woodward, Birmingham, MI 48009 (US).</p>		<p>(81) Designated States: CA, JP, European patent (AT, BE, CH, DE, DK, ES, FR, GB, GR, IE, IT, LU, MC, NL, PT, SE). Published <i>With international search report.</i> <i>Before the expiration of the time limit for amending the claims and to be republished in the event of the receipt of amendments.</i> (88) Date of publication of the international search report: 4 July 1996 (04.07.96)</p>

(54) Title: FUEL MANAGEMENT SYSTEM

(57) Abstract

A fuel management system for small internal combustion engines in which metered quantities of fuel are delivered by way of a variable volume, positive displacement pump (18) to a fuel air mixing chamber (32) in pulses timed with the rotation of the engine. Metering is achieved by a fuel control means (20) disposed in the fuel path between the fuel tank (12) and the pump (18).



FOR THE PURPOSES OF INFORMATION ONLY

Codes used to identify States party to the PCT on the front pages of pamphlets publishing international applications under the PCT.

AT	Austria	GB	United Kingdom	MR	Mauritania
AU	Australia	GE	Georgia	MW	Malawi
BB	Barbados	GN	Guinea	NE	Niger
BE	Belgium	GR	Greece	NL	Netherlands
BF	Burkina Faso	HU	Hungary	NO	Norway
BG	Bulgaria	IE	Ireland	NZ	New Zealand
BJ	Benin	IT	Italy	PL	Poland
BR	Brazil	JP	Japan	PT	Portugal
BY	Belarus	KE	Kenya	RO	Romania
CA	Canada	KG	Kyrgystan	RU	Russian Federation
CF	Central African Republic	KP	Democratic People's Republic of Korea	SD	Sudan
CG	Congo	KR	Republic of Korea	SE	Sweden
CH	Switzerland	KZ	Kazakhstan	SI	Slovenia
CI	Côte d'Ivoire	LI	Liechtenstein	SK	Slovakia
CM	Cameroon	LK	Sri Lanka	SN	Senegal
CN	China	LU	Luxembourg	TD	Chad
CS	Czechoslovakia	LV	Latvia	TG	Togo
CZ	Czech Republic	MC	Monaco	TJ	Tajikistan
DE	Germany	MD	Republic of Moldova	TT	Trinidad and Tobago
DK	Denmark	MG	Madagascar	UA	Ukraine
ES	Spain	ML	Mali	US	United States of America
FI	Finland	MN	Mongolia	UZ	Uzbekistan
FR	France			VN	Viet Nam
GA	Gabon				

INTERNATIONAL SEARCH REPORT

International application No.
PCT/US95/13473

A. CLASSIFICATION OF SUBJECT MATTER

IPC(6) : F02M 37/04
US CL : 123/463, 462

According to International Patent Classification (IPC) or to both national classification and IPC

B. FIELDS SEARCHED

Minimum documentation searched (classification system followed by classification symbols)

U.S. : 123/463, 462, 464, 510, 512, 73 AD, 73 B, 73 R

Documentation searched other than minimum documentation to the extent that such documents are included in the fields searched

Electronic data base consulted during the international search (name of data base and, where practicable, search terms used)

C. DOCUMENTS CONSIDERED TO BE RELEVANT

Category*	Citation of document, with indication, where appropriate, of the relevant passages	Relevant to claim No.
Y	US, A, 4,555,221 (DUBOIS) 26 November 1985, Figure 2 and Abstract.	1-4, 6-7, 9-14, 19-20
Y	US, A, 4,976,246 (SCHIERLING ET AL) 11 December 1990, Figures 1 and 2.	1-4, 6-7, 9-14, 19-20
Y	US, A, 4,142,683 (CASEY ET AL) 06 MARCH 1979, col. 12, lines 27-40.	6, 7, 12-14, 19-20
A	US, A, 1,955,037 (VIEL) 17 April 1934.	1-20
A	US, A, 2,305,912 (THOMPSON) 22 December 1942.	1-20
A	US, A, 2,598,202 (WIRTH ET AL) 27 May 1952.	1-20
A	US, A, 2,790,433 (CATFORD) 30 April 1957.	1-20

Further documents are listed in the continuation of Box C. See patent family annex.

* Special categories of cited documents:	"T" later document published after the international filing date or priority date and not in conflict with the application but cited to understand the principle or theory underlying the invention
"A" document defining the general state of the art which is not considered to be of particular relevance	"X" document of particular relevance; the claimed invention cannot be considered novel or cannot be considered to involve an inventive step when the document is taken alone
"E" earlier document published on or after the international filing date	"Y" document of particular relevance; the claimed invention cannot be considered to involve an inventive step when the document is combined with one or more other such documents, such combination being obvious to a person skilled in the art
"L" document which may throw doubts on priority claim(s) or which is cited to establish the publication date of another citation or other special reason (as specified)	"&" document member of the same patent family
"O" document referring to an oral disclosure, use, exhibition or other means	
"P" document published prior to the international filing date but later than the priority date claimed	

Date of the actual completion of the international search

28 APRIL 1996

Date of mailing of the international search report

06 MAY 1996

Name and mailing address of the ISA/US
Commissioner of Patents and Trademarks
Box PCT
Washington, D.C. 20231

Facsimile No. (703) 305-3230

Authorized officer

Donna Ellis
CARL S. MILLER

Telephone No. (703) 308-2653

INTERNATIONAL SEARCH REPORT

International application No.
PCT/US95/13473

C (Continuation). DOCUMENTS CONSIDERED TO BE RELEVANT

Category*	Citation of document, with indication, where appropriate, of the relevant passages	Relevant to claim No.
A	US,A, 2,958,321 (HAASE) 01 November 1960.	1-20
A	US, A, 4,590,896 (WISSMANN ET AL) 27 May 1986.	1-20
A	US, A, 4,617,898 (GAYLER) 21 October 1986.	1-20
A	US, A, 4,694,804 (DeGRAZIA, Jr.) 22 September 1987.	1-20