



HU000029352T2

(19) **HU**(11) Lajstromszám: **E 029 352**(13) **T2****MAGYARORSZÁG**
Szellemi Tulajdon Nemzeti Hivatala**EURÓPAI SZABADALOM**
SZÖVEGÉNEK FORDÍTÁSA(21) Magyar ügyszám: **E 08 851947**(51) Int. Cl.: **E04F 15/02** (2006.01)(22) A bejelentés napja: **2008. 11. 19.**

(86) A nemzetközi (PCT) bejelentési szám:

(96) Az európai bejelentés bejelentési száma:
EP 20080851947**PCT/IB 08/003133**(97) Az európai bejelentés közzétételi adatai:
EP 2217775 A2 **2009. 05. 28.**

(87) A nemzetközi közzétételi szám:

WO 09066153(97) Az európai szabadalom megadásának meghirdetési adatai:
EP 2217775 B1 **2016. 05. 18.**

(30) Elsőbbségi adatok: 200700567 2007. 11. 23. BE 71201 P 2008. 04. 17. US 202008008597 U 2008. 06. 26. DE	(73) Jogosult(ak): Flooring Industries Limited, SARL, 8070 Bertrange (LU)
(72) Feltaláló(k): CAPPELLE, Mark, B-8840 Staden (BE)	(74) Képviselő: SBGK Szabadalmi Ügyvivői Iroda, Budapest

(54)

Padlólap

Az európai szabadalom ellen, megadásának az Európai Szabadalmi Közlönyben való meghirdetésétől számított kilenc hónapon belül, felszólalást lehet benyújtani az Európai Szabadalmi Hivatalnál. (Európai Szabadalmi Egyezmény 99. cikk(1))

A fordítást a szabadalmas az 1995. évi XXXIII. törvény 84/H. §-a szerint nyújtotta be. A fordítás tartalmi helyességét a Szellemi Tulajdon Nemzeti Hivatala nem vizsgálta.



(11) **EP 2 217 775 B1**

(12) **EUROPEAN PATENT SPECIFICATION**

(45) Date of publication and mention
of the grant of the patent:
18.05.2016 Bulletin 2016/20

(21) Application number: **08851947.5**

(22) Date of filing: **19.11.2008**

(51) Int Cl.:
E04F 15/02 (2006.01)

(86) International application number:
PCT/IB2008/003133

(87) International publication number:
WO 2009/066153 (28.05.2009 Gazette 2009/22)

(54) **FLOOR PANEL**

BODENPLATTE

PANNEAU DE PLANCHER

(84) Designated Contracting States:
**AT BE BG CH CY CZ DE DK EE ES FI FR GB GR
HR HU IE IS IT LI LT LU LV MC MT NL NO PL PT
RO SE SI SK TR**

(30) Priority: **23.11.2007 BE 200700567
17.04.2008 US 71201 P
26.06.2008 DE 202008008597 U**

(43) Date of publication of application:
18.08.2010 Bulletin 2010/33

(60) Divisional application:
**14187475.0 / 2 843 154
16161616.4**

(73) Proprietor: **Flooring Industries Limited, SARL
8070 Bertrange (LU)**

(72) Inventor: **CAPPELLE, Mark
B-8840 Staden (BE)**

(74) Representative: **Schacht, Benny Marcel Corneel et
al
Unilin Industries, BVBA
Ooigemstraat 3
8710 Wielsbeke (BE)**

(56) References cited:
**EP-A- 1 420 125 WO-A-2005/054599
WO-A-2006/104436 DE-U1-202007 000 310
US-A1- 2007 006 543**

EP 2 217 775 B1

Note: Within nine months of the publication of the mention of the grant of the European patent in the European Patent Bulletin, any person may give notice to the European Patent Office of opposition to that patent, in accordance with the Implementing Regulations. Notice of opposition shall not be deemed to have been filed until the opposition fee has been paid. (Art. 99(1) European Patent Convention).

Description

[0001] This invention relates to a floor panel.

[0002] More particularly, it relates to a floor panel comprising coupling parts at least at two opposite sides, in the form of a male coupling part and a female coupling part, respectively, which allow to connect two of such floor panels to each other at the aforementioned sides by providing one of these floor panels with the pertaining male coupling part, by means of a downward movement, in the female coupling part of the other floor panel, such that thereby at least a locking in horizontal direction is obtained.

[0003] Couplings allowing to couple two floor panels to each other by joining one floor panel with a downward movement into the other, in practice are subdivided into two kinds, namely a first kind wherein the coupling parts exclusively provide for a horizontal locking, without any presence of a locking in vertical direction, and a second kind wherein a horizontal as well as a vertical locking are provided for.

[0004] The couplings of the first kind are also known as so-called "drop-in" systems. Floor panels equipped with those at two opposite sides are known, amongst others, from CA 991.373 and JP 07-300979. As is evident from these patent documents, such "drop-in" systems often are only applied at a first pair of opposite sides of the floor panels, whereas then at the second pair of opposite sides, coupling parts are applied which, in the coupled condition of two floor panels, provide for a vertical as well as a horizontal locking and which allow that two of such floor panels can be coupled to each other by means of an angling movement. Floor panels with such a combination of coupling parts offer the advantage that they can be easily installed successively in rows, simply by coupling each new floor panel to be installed to the preceding row of floor panels by means of the angling movement and by providing for, when angling it down, that such floor panel simultaneously also engages in an already installed preceding floor panel of the same row. Thus, the installation of such floor panel only requires an angling and putting-down movement, which is a particularly user-friendly installation technique.

[0005] A disadvantage of floor panels with such coupling parts consists in that due to the fact that there is no locking in vertical direction, height differences between the coupled floor panels may arise at the top surface. Thus, for example, such floor panels in a first or last row of a floor covering may turn back upward from their flat position, if they are not held down by a skirting board or the like. Even if such floor panels are provided with a "drop-in" system at only one pair of sides, while being locked in horizontal as well as vertical directions at their other pair of sides in respect to adjacent floor panels, height differences may occur between adjacent floor panels at the sides coupled by the "drop-in" system, amongst others, when two adjacent floor panels are loaded differently, or when one floor panel should warp and bend

somewhat in respect to the other.

[0006] Couplings of said second kind, also named "push-lock" systems, try to remedy the aforementioned disadvantage by also providing a vertical locking. Such so-called "push-lock" systems may be divided into two different categories, namely one-piece embodiments and embodiments comprising a separate locking element, which is made as an insert, whether or not fixedly attached to the actual floor panel.

[0007] One-piece embodiments are known, amongst others, from the patent documents DE 29924454, DE 20008708, DE 20112474, DE 102004001363, DE 102004055951, EP 1.282.752 and EP 1.350.904. The known one-piece embodiments have the disadvantage that they are working relatively stiff and a good joining of two floor panels cannot always be guaranteed.

[0008] Embodiments comprising a separate locking element which assists in a vertical and possibly also horizontal locking between two coupled floor panels, are known, amongst others, from the patent documents DE 202007000310, DE 10200401363, DE 102005002297, EP 1.159.497, EP 1.415.056B1, EP 1.818.478, WO 2004/079130, WO 2005/054599, WO 2006/043893, WO 2006/104436, WO 2007/008139, WO 2007/079845, WO 2007/089186 and SE 515324. The use of a separate locking element offers the advantage that the material thereof is independent of the actual floor panel and thus can be chosen in an optimum manner in function of the application. Thereby, such inserts may be made of synthetic material or metal, whereby relatively sturdy, however, still easily movable locking portions can be realized, which, with a minimum contact surface, can take up relatively large forces.

[0009] The present invention relates to floor panels which are equipped with a "push-lock" system of the last-mentioned category, in other words, which comprise a whether or not fixedly attached, however, separately realized insert. The aim of the invention consists in a further optimization of these "push-lock" systems in floor panels.

[0010] The present invention is specifically connected to floor panels of the type:

- which comprises, at least at two opposite sides, coupling parts with which two of such floor panels can be coupled to each other;
- wherein these coupling parts form a horizontally active locking system and a vertically active locking system;
- wherein the horizontally active locking system comprises a male part and a female part, which allow that two of such floor panels can be connected to each other at the aforementioned sides by providing one of these floor panels with the pertaining male part, by means of a downward movement, in the female part of the other floor panel;
- wherein the vertically active locking system comprises a locking element, which is provided in the form of an insert in one of the sides concerned;

- wherein this locking element comprises at least a pivotable lock-up body; and
- wherein the lock-up body, at one extremity, forms a stop-forming locking portion, which can cooperate with a locking portion of a similar coupled floor panel.

[0011] Floor panels of this type are known, amongst others, from the figures 5-7, 8 and 9-11 of the aforementioned EP 1.415.056B1. In these known embodiments, the locking portion realized in the form of an insert consists of a synthetic material strip with an elastically bendable lip, which, during its bending, functions as a pivotable lock-up body. These known embodiments show the advantage that with a relatively simple construction, a so-called "push-lock" connection can be realized which is active over the entire length of the synthetic material strip. However, practice has shown that this known embodiment is not always functioning smoothly and that tolerances in a realized coupling sometimes are difficult to keep under control.

[0012] From EP 2 034 106 A1, which is part of the state of the art in accordance with Article 54(3) EPC, a device is known for connecting and locking two floor panels in the horizontal and vertical direction through an essentially vertical joining movement. The floor panels are provided on their lateral edges with hook-shaped profiles corresponding to one another, namely a male and a female profile. A locking element with a locking projection is provided in the female profile. The locking projection interacts with a locking depression provided in the male profile, such that the floor panels are automatically locked in the vertical direction with the joining movement. The locking element is embodied in an essentially rigid manner and the locking projection can be brought into the locking depression through a displacement of the locking element.

[0013] The present invention aims at floor panels of the aforementioned specific type, which are further improved in respect to the aforementioned known embodiments.

[0014] To this aim, the invention relates to a floor panel of the above-mentioned specific type, with the characteristic that the pivotable lock-up body, opposite to the extremity forming the locking portion, comprises a support portion, around which the pivotable lock-up body is rotatable and which, in a coupled condition of two of such floor panels, is intended to take up the forces when the coupled floor panels attempt to get away from each other in upward direction; and that the lock-up body, between the locking portion and the support portion, in itself is free from hinge portions and bending sections. As the lock-up body is free from hinge portions and bending sections, possible influences thereof on the shape and length of the lock-up body are excluded and a fixed useful length of the lock-up body can be guaranteed, such that, amongst others, small production tolerances can be maintained, allowing precise couplings. In connection therewith, it is thus preferred that the lock-up body is per-

formed as a rigid element.

[0015] According to a particular embodiment of the invention, the pivotable lock-up body, opposite from the extremity forming the locking portion, comprises a support portion, which is rotatable against a support surface pertaining to the floor panel concerned, and more particularly is rotatable in a seat. As the lock-up body is provided with a support portion which is rotatable against a support surface, and more particularly is rotatable in a seat, the rotational movement of the lock-up body is defined better than in the known embodiments, and a more precise coupling can be provided than, for example, in the case of an embodiment according to figures 5-7, 8 and 9-11 of said EP 1.415.056B1. In this known embodiment, the pivotable lock-up body in fact is realized as a prolongation of an attachment portion, whereby the hinge function occurs in the material of the insert, and the precise rotational movement is difficult to predict, which may lead to a less optimum functioning.

[0016] According to a particular embodiment of the invention, the pivotable lock-up body, opposite to the extremity forming the locking portion, comprises a support portion in the form of a free extremity, which, at least in vertical direction, is positively supported by a support portion pertaining to the floor panel. As the support portion is made as a free extremity, it does not experience influences from adjacent material portions in its support portion, which is beneficial for a smooth hinge motion of the lock-up body. By a free extremity is substantially meant that this simply is made as a protruding leg, without any further parts being attached thereto.

[0017] According to a particular embodiment of the invention, the lock-up body is rotatable around a rotation point, support point, respectively, and that the locking element comprises a press-on portion engaging at the lock-up body at a distance from the rotation point, support point, respectively. Thereby, it is possible to exert a suitable force with the press-on element against the pivotable lock-up body, even if this press-on element as such is relatively weak.

[0018] According to a particular embodiment of the invention, the vertically active locking system comprises a tensioning system which is formed by a cam surface formed at the extremity of the locking portion of the lock-up body, which cam surface, in coupled condition, provides for a wedge effect against the opposite locking portion of the coupled floor panel. Due to such configuration, the lock-up body, in coupled condition, always will settle well under the locking portion of the other floor panel. Due to small movements occurring when the floor panels are being walked on, the lock-up body, due to the wedge effect, will crawl farther under the locking portion of the other floor panel, whereby an even sturdier coupling is obtained. It is noted that this particular embodiment can be applied for all forms of rotatable locking portions, and thus, for example, also for embodiments, such as known from EP 1.415.056B1.

[0019] According to a preferred embodiment of the in-

vention, the locking element consists of a co-extruded synthetic material strip provided in a recess, which strip, viewed in cross-section, is composed of two or more zones consisting of synthetic materials with different features. In other words, there are at least two zones of materials with different material characteristics. However, it is not excluded that certain zones do have the same material characteristics.

[0020] The use of such co-extruded synthetic material strip offers the advantage that the features can be selected depending on the function which certain parts of such strip have to fulfill. For example, certain parts, which have to exert a pressure force or tension force, can be realized in a rather elastic synthetic material, whereas parts which have to take up forces in an immobile manner, then better consist of a hard synthetic material. Preferably, then also use is made of synthetic materials with different flexibility, elasticity, respectively. Also, flexible synthetic materials may be applied in order to realize movable connections among different parts of the strip. According to still another possibility, by means of the co-extrusion zones are realized which can provide for a better sealing, or which offer increased friction resistance. Summarized, it is so that the different synthetic materials are applied in function of the desired movability and/or the desired compressibility and/or the desired sealing effect.

[0021] According to a particular embodiment of the invention, the locking element consists of a synthetic material strip provided in a recess, which strip, in the coupled condition of two floor panels, comes into contact with both floor panels and thereby forms a seal, wherein between the upper side of the floor panel and the synthetic material strip also a seal is present at the panel edges. The importance and advantage of this embodiment will become clear from the following detailed description.

[0022] It is noted that all forms of combinations of the aforementioned particular embodiments are possible.

[0023] Various advantageous dependent characteristics further will be described by means of the embodiments represented in the figures. All these dependent characteristics do not necessarily have to be applied in the mutual combinations as shown in the figures. Each characteristic can be combined as such with any embodiment described in this document; such inasmuch as such dependent characteristic is not inconsistent with the characteristics of the respective embodiment itself.

[0024] It is noted that the present invention preferably is applied for embodiments where the locking element, made as an insert, substantially, and still better exclusively, serves as a locking element assisting in the vertical locking and, thus, not in the horizontal locking. The horizontal locking preferably exclusively is performed by means of parts, such as the aforementioned male part and female part, which are made from the actual panel material, more particularly are mechanically formed therefrom. More particularly, the invention preferably relates to embodiments wherein the insert is produced sep-

arately and then is mounted in an edge of an actual floor panel, whether or not in a fixed manner.

[0025] More particularly, it is noted that the invention preferably is applied in embodiments where said locking element provides exclusively for an upward blockage, which means that this blockage prevents that the male part can come loose from the female element in an upward direction, whereas blockages in the other directions, thus, in downward direction and in horizontal direction, are obtained by the design of the panel edges themselves, in other words, by the coupling parts mechanically formed in the material of the panel.

[0026] Preferably, the invention relates to embodiments wherein at least the lock-up body, and still better even the entire locking element made as an insert, is realized relatively local, which more particularly means that it is only present between a first and a second horizontal level, of which the first horizontal level is situated at a distance beneath the upper side of the coupled floor panels, whereas the second horizontal level is situated lower than the first, however, higher than the lowermost point of the male part. Subsidiary thereto, it is, however, still preferred that said lock-up element extends over a height which is at least 40% and still better at least 50% of the height difference between the upper side of such coupled floor panels and the lowermost point of the male part. Using at least 40%, at least 50%, respectively, of this height in combination with said location between said first and second level offers various advantages. An advantage of embodiments fulfilling this consists in that a good compromise is achieved between sufficient compactness from the point of view of the possibility of a smooth application in the edge of a floor panel and from the point of view of the costs, on the one hand, and sufficient extent in order to optimize construction and shape of the locking element, on the other hand. Still another advantage in respect to the known embodiments of floor panels with a comparable total thickness, however, wherein the height of the lock-up body does not fulfill said ratio of at least 40%, is that, at least in the case of a pivotable lock-up body, a smaller rotation of this lock-up body already results in a relatively large deviation at the free extremity, whereby a good locking can be obtained in a smooth manner. As a consequence thereof, mostly a locked condition can be realized in which the lock-up element is standing relatively upright and extends under an angle with the vertical which is considerably smaller than 45%, whereby the lock-up element offers a particularly solid locking. This also allows working with a lock-up body of which the protruding exterior side is standing relatively upright, whereby this body during coupling can be pushed aside more smoothly by another panel. As the lock-up element in the locked condition is standing very upright, it is also obtained that the contact points of the lock-up body with the connected floor panels are located close to the panel edges, which is beneficial for a good connection.

[0027] The present invention relates to embodiments

wherein said locking element is integrated in the male part, as well as to embodiments wherein said element is integrated in the female part. In the case of integration in the male part, the locking element preferably is situated in the distal side of this part, although integration in another side is not excluded. In the case of integration in the female part, the locking element preferably is situated at the proximal side, although integration in another side is not excluded.

[0028] Preferably, the coupling parts of the floor panels of the invention also are configured such that they can be uncoupled by means of a pivoting movement, irrespectively according to which of the aforementioned embodiments they are realized. According to a particular embodiment, the coupling parts further are configured such that coupling by means of an angling movement is possible, too.

[0029] According to another embodiment, the male and the female part of said floor panels are configured such that said floor panels can be brought into each other at the sides concerned by shifting them towards each other, preferably even such that this is possible by moving them towards each other in a substantially same plane, for example, by shifting a panel towards another over an underlying surface. The locking then preferably takes place by means of a snap-on connection, wherein the hook-shaped part of the female part bends elastically during joining.

[0030] According to still another variant, said floor panels are realized such at the sides concerned that, apart from locking by means of a downward movement, also a locking by shifting the floor panels towards each other, as well as a locking and/or unlocking by angling the floor panels in mutual respect is possible.

[0031] According to a preferred embodiment of the invention, the male part and the female part are configured such that two of such floor panels can be joined into each other at the sides concerned by shifting them with the sides concerned towards each other in the same plane. Hereby, the advantage is created that the installation comfort of such floor panels is considerably increased, as connecting by means of the downward movement allows for a rapid assembly, whereas the possibility of coupling together by shifting the floor panels towards each other offers the advantage that they can also be coupled to each other at locations where no downward movement is possible and solely coupling by shifting is possible, such as, for example, in the case that a floor panel partially must be provided underneath an overhanging element, such as a door frame, and from this position still has to be coupled to another floor panel.

[0032] It is clear that said preferred embodiment may be combined with one or more of the preceding particular embodiments.

[0033] Floor panels according to the above preferred embodiment preferably also show one or more of the following characteristics:

- the coupling parts concerned are performed at the aforementioned sides such, that they allow a locking and/or unlocking of two of such floor panels in mutual respect by mutually angling them into each other, out of each other, respectively;
- in free condition, the lip-shaped lock-up body protrudes outward in an inclined manner;
- the lock-up body is provided in the proximal side of the female part;
- the female part and the male part comprise contact surfaces at their distal extremities, said surfaces being performed upwardly inclined in distal direction;
- the lip-shaped lock-up body is a pivotable body.

[0034] According to a particularly preferred embodiment, the floor panels of the above preferred embodiment relate to rectangular, either oblong or square, panels, and a pair of opposite sides of said coupling parts is provided according to the above preferred embodiment, whereas the other, second pair of opposite sides comprises coupling parts, which also can provide for a vertical and horizontal locking, of which kind whatsoever, however, which still allow that two of such floor panels can be joined into each other at the last-mentioned sides by substantially shifting them with the sides concerned towards each other in the same plane. This combination of possibilities offers an even higher comfort of installation in difficult situations. According to an additional preferred characteristic, the coupling parts at the second pair of opposite sides also are configured such that they allow angling the floor panels in and out of each other. Examples of such coupling parts are widely known from the state of the art, for example, from figure 23 of WO 97/47834.

[0035] According to still another particular embodiment, the coupling parts are applied at both pairs of sides.

[0036] Further, according to a preferred embodiment, the locking element consists of a synthetic material strip which, viewed in cross-section, is composed of at least two zones of materials with different material characteristics. By making use of a separate insert formed of different materials, the advantage is created that the different portions of the insert can be optimized in function of their purpose. So, for example, may the lock-up body be realized relatively rigid in order to be able to adequately withstand occurring forces, whereas one or more other portions, which must provide the movability of the lock-up body, then as such are realized relatively flexible.

[0037] Preferably, the floor panel according to the above preferred embodiment further is characterized in that the lock-up body is attached directly or indirectly to a material part pertaining to the locking element or is made in one piece therewith, which allows an elastic movement of the lock-up body, wherein this material part consists of a material which as such is more flexible and bendable than the material of which the lock-up body basically is formed.

[0038] According to still another preferred characteristic, the aforementioned material part is performed as a local hinge part, with the advantage that a very precisely defined pivoting movement is obtained.

[0039] Herein, it is preferred that said material part forms a connection between the lock-up body and an attachment portion, wherein the lock-up body and the attachment portion consist of material which is less flexible than said material part. In this manner, it is obtained that an adequate locking is created by means of the relatively rigid lock-up body, whereas by means of the relatively rigid attachment portion a stable positioning of the locking element in a recess in the edge of the floor panel concerned is possible.

[0040] In a preferred embodiment of the invention, the above-said attachment portion consists of an attachment body which, viewed in cross-section, extends in a flat or rather flat direction, which means substantially in the plane of the floor panel, which attachment body is provided in a recess. Such attachment portion allows an adequate attachment, also when the invention is applied in relatively thin floor panels. Another advantage is that by somewhat altering the direction with which this attachment portion is applied in the floor panel, different functioning characteristics can be obtained and the engineer in this manner can provide for an optimization.

[0041] Also according to the above preferred embodiment, the floor panel will be characterized in that the lock-up body can be elastically angled out with an extremity; that the lock-up body, globally seen, forms an angle with the attachment portion; that the lock-up body, with the extremity situated opposite to the extremity which can be angled out, protrudes up to beyond the attachment portion; that said material part makes a connection between said extremity protruding beyond the attachment portion and an adjacent portion of the actual attachment portion; and that at the location where the lock-up body passes along the attachment portion, the distance between the lock-up body and the attachment portion is smaller than the distance from the protruding extremity of the lock-up body to the attachment portion. As will become clear from the further description, this offers various advantages.

[0042] In the most preferred embodiment, the locking element of the above preferred embodiment of the invention is formed by means of coextrusion.

[0043] It is clear that the characteristics of the above preferred embodiment also can be combined with the previously described embodiments of the invention.

[0044] With the intention of better showing the characteristics of the invention, hereafter, as an example without any limitative character, several preferred embodiments are described, with reference to the accompanying figures, wherein:

Figure 1 schematically and in top plan view represents a floor panel according to the invention;
Figure 2, at a larger scale, represents a cross-section

according to line II-II in figure 1;

Figure 3 in cross-section represents two floor panels, which are made according to figure 2, in coupled condition;

Figures 4 and 5 represent the floor panels from figure 3 in two different steps during the joining;

Figure 6, at a larger scale, represents the locking element applied in the embodiment of figures 2 to 5; Figure 7, at a larger scale, represents the portion indicated by F7 in figure 2;

Figure 8 schematically represents how the locking element of figure 7 can be mounted in a floor panel; Figure 9 represents the locking element of figure 6 in cross-section and at a strongly enlarged scale; Figure 10, at a still larger scale, represents the uppermost extremity of the locking element of figure 9, together with a locking portion with which it comes into contact;

Figures 11 and 12 represent two variants;

Figures 13 and 14 represent two practical embodiments;

Figures 15 and 16 represent a particular embodiment;

Figure 17 represents still another embodiment of the invention;

Figures 18 and 19, at a larger scale, represent the portions indicated by F18 and F19 in figure 17;

Figure 20 represents a particular fashion of coupling together two floor panels made according to figure 17;

Figures 21 to 24 represent another four embodiments of the invention;

Figure 25 represents a number of floor panels which are realized according to the invention;

Figure 26, at a larger scale, represents the portion indicated by F26 in figure 25;

Figures 27 in cross-section represents another particular embodiment of the invention;

Figure 28 does not relate to the presently claimed invention;

Figures 29 and 30 represent another two embodiments of the invention;

Figure 31 represents a schematic top view of floor panels, which are coupled to each other according to figure 25;

Figure 32, in cross-section, represents still another embodiment of the invention;

Figure 33 in cross-section represents still another embodiment of the invention;

Figure 34, at a larger scale, represents the portion indicated by F34 in figure 33;

Figures 35 to 37 represent the part from figure 34 for various conditions during coupling of two floor panels;

Figure 38 schematically represents how a locking element, made as an insert, according to the invention can be attached in the edge of a floor panel;

Figures 39 to 41, at a larger scale, represent cross-

sections according to lines XXXIX-XXXIX, XL-XL and XLI-XLI, respectively, in figure 38;

Figure 42 in cross-section represents still another embodiment of a technique according to the invention, according to which a locking element made as an insert can be attached in the edge of a floor panel; Figure 43 represents a schematized cross-section according to line XLIII-XLIII in figure 42.

[0045] As represented in figures 1 to 5, the invention relates to a floor panel 1 comprising, at least at two opposite sides 2-3, coupling parts 4-5, with which two of such floor panels 1 can be coupled to each other.

[0046] As becomes clear from the coupled condition of figure 3, these coupling parts 4-5 comprise a horizontally active locking system 6 and a vertically active locking system 7. The horizontally active locking system 6 comprises a male part 8 and a female part 9, which allow to connect two of such floor panels 1 to each other at the aforementioned sides 2-3 by providing one of these floor panels 1 with the pertaining male part 8, by means of a downward movement M, in the female part 9 of the other floor panel, which movement M is illustrated by means of two different positions in the figures 4 and 5.

[0047] The male part 8 is formed by a downward-directed extremity of a hook-shaped part 10, whereas the female part 9 consists of a seat formed by means of an upward-directed hook-shaped part 11.

[0048] The vertically active locking system 7 comprises a locking element 12, which, in the form of an insert, is provided in one of the sides concerned, in this case, the side 2, more particularly in a recess 13 provided to this aim. For clarification, the locking element 12, or in other words, thus, the insert, is illustrated in separate condition in figure 6. As can be seen in this figure, this locking element 12 preferably is made as a strip. It is clear that this strip preferably extends over the entire or almost entire length of the side 2.

[0049] Preferably, this strip consists of synthetic material, however, the use of other materials to this aim is not excluded. Further, it is preferred that the strip has a continuous cross-section over its entire length, which renders it simple to manufacture. In the case of a synthetic material strip, preferably use is made of PVC.

[0050] The enlarged view of figure 7 shows in greater detail how the strip is attached in the recess 13, which will be discussed further on.

[0051] In the represented example, the locking element 12 is composed at least of a pivotable lock-up body 14 and a press-on portion 15. In the embodiment of figure 6, the lock-up body 14 consists of the entire upright part, whereas the press-on portion 15 is formed by the portion inclinedly directed away.

[0052] The extremity 16 of the lock-up body 14, which can be rotated out, functions as a stop-forming locking portion 17, which can cooperate with a locking portion 18 of a similar coupled floor panel 1. Herein, the locking portion 18 preferably is formed by a portion defining a

stop-forming surface 19, which for this purpose is present in the side 3 and preferably is mechanically provided in the core of the floor panel 1. The functioning of the vertically active locking system can simply be deduced from the figures and relies on the principle that, as represented in figures 4 and 5, when moving the floor panel concerned downward, the lock-up body 14 is elastically folded inward by the contact with the edge of the other floor panel, after which, as soon as the floor panels have arrived in the same plane, the lock-up element rotates back outward in order to position itself beneath the locking portion 18, such that the coupled condition of figure 3 is created.

[0053] In accordance with a particular aspect of the invention, the pivotable lock-up body 14, opposite from the extremity 16 forming the locking portion 17, comprises a support portion 20, which is rotatable against a support surface 21 pertaining to the floor panel 1 concerned, and more particularly in a seat 22. By the support portion 20 in the embodiment of figures 2 to 10 thus the lowermost extremity 23 of the lock-up body 14 is meant.

[0054] Further, the lock-up body 14 as such, between the locking portion 17 and the support portion 20, in other words, between its extremities 16 and 23, is free from hinge portions and bending sections, such in accordance with the claimed invention. To this aim, thus, the lock-up body 14 is made relatively thick and preferably forms a rigid body, which means that the lock-up body 14 cannot undergo noticeable deformations between its extremities when pressures are exerted hereupon, which usually may arise with "push-lock" couplings.

[0055] In accordance with still an aspect of the invention, the support portion 20 in the represented embodiment is made as a free extremity, which is positively supported at least in vertical direction by a support portion 24, more particularly support surface 21, pertaining to the floor panel 1.

[0056] As can be clearly seen in figures 3 and 7, the support portion 20 of the lock-up body 14 preferably even is supported in two directions, at least in a coupled condition of two floor panels 1, namely in vertical direction V, in this case, thus, downward, as well as in proximal direction P in respect to the floor panel 1, this latter by means of the lateral wall 25 of the seat 22.

[0057] In the represented example of figures 1 to 10, the floor panel 1 also comprises a stop-forming part 26, which, in a distal direction D in respect to the floor panel 1, forms a blockage for the support portion 20 or, thus, for the extremity 23 of the lock-up body 14. Thereby, a proper seat 22 can be formed, as a result of which the support portion 20 is sitting enclosed at three sides. In this manner, the seat can function as a rather precisely defined hinge point.

[0058] Generally, it can be stated that the locking element 12 preferably consists of a strip which is attached in a recess, in the represented example, thus, the recess 13, in the floor panel 1 and that attachment provisions are present therein, retaining the strip in the recess. More particularly, it is preferred that the strip is snap-fitted in

the recess and/or is sitting enclosed therein due to the design, which principle also has been applied in the embodiment of figures 1 to 10. As indicated in figure 7, the opening A of the recess is smaller than the largest dimension B of the strip, with the consequence that the latter automatically is retained in the recess 13.

[0059] It is noted that other techniques for attaching or retaining such strip in the recess are possible, for example, by gluing, clamping or the like. A number of advantages are described in the following.

[0060] As schematically illustrated in figure 8, the strip or, thus, the locking element 12 simply can be provided at a floor panel 1 by pressing it into the recess 13, for example, by means of a press-on portion or sliding block 27. Due to the exerted pressure, the strip is deformed and fits through opening A, after which it regains its original shape and becomes enclosed in the recess. More particularly, hereby the press-on portion 15 is bent in the manner as represented, in order to finally bounce into place.

[0061] The embodiment of figures 1 to 10 also show, according to an aspect of the invention, that the lock-up body 14 is rotatable around a rotation point, support point, respectively, and the press-on portion 15, at a distance from the rotation point, and more particularly at a distance D1 from the actual support point, engages at the lock-up body 14. It is noted that by a "point", also a "zone" can be intended. Thus, a "support point" also may extend over a "zone".

[0062] As represented, the press-on portion 15 preferably consists at least, viewed in cross-section, of a leg adjoining to the rear side of the lock-up body 14, which leg, in free condition, extends obliquely in respect to the lock-up body 14, such from a location P1 situated between the two extremities of the lock-up body. Preferably, this leg also globally extends under an angle A1 of less than 70 degrees in respect to the portion 28 of the lock-up body 14, which portion extends from said location P1 towards the locking portion 17.

[0063] The press-on portion 15 preferably consists of an elastic material, and more particularly a material, which as such is more flexible than the material of the lock-up body 14. Preferably, this is also synthetic material, and in the most preferred embodiment, the press-on portion 15 is made in one piece with the lock-up body 14 by means of coextrusion. In the enlarged views of figures 6 and 9, the co-extruded materials are represented with different shading.

[0064] Generally, it is noted that a locking element 12 in cross-section can only be of small dimensions, in view of the fact that it must be integrated in the edge of floor panels having in practice a thickness which usually is less than 2 cm and in many cases is even less than 1 cm. Thus, the space then available for the locking element 12 often only lies in the order of magnitude of 5 millimeters or less. When with such small dimensions different flexibilities must be incorporated into the locking element, the possibilities thus also are limited when one

desires to perform this in a traditional manner by working with different thicknesses. By now using coextrusion according to the invention, a broader range of possibilities is created for incorporating different flexibilities, and thus also a different elasticity, depending on the intended effect.

[0065] The co-extruded materials may consist of the same or similar basic material and, for example, differ from each other only in that certain components are added to the one material, or certain components are present to a larger extent. In a practical embodiment, the entire strip will consist of PVC, however, the more flexible portion will be formed of PVC to which a larger quantity of plasticizer is added.

[0066] Also the location of the transition T between the co-extruded materials is of importance. So, for example, this transition T, in the embodiment of figures 1 to 10, preferably is situated at a distance X from the lock-up body. Thereby, a more rigid guiding portion remains present at the basis of the press-on portion 1, which promotes the snap-on effect represented in figure 8.

[0067] In the embodiment of figures 1 to 10, the press-on portion 15, viewed in cross-section, consists of only one leg.

[0068] In the embodiment of figures 1 to 10, a tensioning system 29 is integrated in the vertically active locking system, which tensioning system provides for that a good locking is created when the lock-up body 14 is angled out. By a tensioning system, here a system is intended which, when angling out the lock-up body 14, additionally effects the approach among the locking portions 17 and 18.

[0069] As made clear in the larger representations of figures 9 and 10, in the embodiment of figures 1 to 10 to this aim use is made of a cam surface 30 formed at the extremity 16 of the lock-up body 14, which cam surface, in coupled condition, provides a wedge effect against the opposite locking portion 18 of the coupled floor panel 1.

[0070] As indicated in figure 9, the cam surface 30, which consists at least of an effective contact zone 31 and possibly an entry zone 32, preferably extends over a width B1 of at least 60% of the total width B2 of the lock-up body 14, which allows providing a gradual transition, which promotes a good wedge effect. Indeed, the entry zone 32 preferably is somewhat steeper than the contact zone 31 and is intended to provide for that the lock-up body 14 initially always will get smoothly beneath the surface 19.

[0071] Herein, the cam surface 30 preferably extends such that, as represented in figures 9 and 10, according to a direction R, from the most outwardly situated edge 33 to the most inwardly situated edge 34, the cam surface 30 shows an increasing elevation E, such that the effective length of the lock-up body 14 increases for the successive points of the cam surface according to the direction R. Herein, the effective length is the distance between the locations where the lock-up body comes into contact at the top and at the bottom.

[0072] The cam surface 30 and the surface 19 situated opposite thereof preferably are performed such that a displacement of the lock-up body 14 as a consequence of tolerance differences results in a smaller or no displacement of the contact zone, more particularly the contact point, between both locking portions 17 and 18. Preferably, therein the amount of the displacement of the contact zone or the contact point is less than 50% of the size of the displacement of the cam surface 30. This is illustrated in the following by means of figure 10. Herein, a first condition with a contact point in position C1 is represented in solid line. When, due to settling, the surface 19 comes to lie somewhat higher, a condition is created such as represented in dashed line, wherein the contact point is displaced from a position C1 to C2, and such according to the invention with a displacement V1, which is noticeably smaller than the displacement V2 of the lock-up body 14. The advantage herein is that at all times, the displacement V2 is small, and it can be guaranteed that the contact always takes place within a certain distance D2 from the upper edges of the floor panels 1 and a too far outward rotation, which might lead to a weak connection, is excluded. With tolerance differences, too, the same effect occurs. A first pair of floor panels may come into contact, for example, as represented in solid line, whereas another pair, due to tolerance differences, comes into contact as represented in dashed line. Due to a cam shape according to the invention, it is then prevented that in the second case the contact point C2 would be situated too far from the edges of the floor panels.

[0073] It is noted that, as represented in the figures, the locking portion 17 of the lock-up body 14 preferably is performed in the form of a broadened extremity of the lock-up body 14, due to which more space is offered for realizing a desired cam surface 30.

[0074] The inclinations of the cam surface 30 and the surface 19 cooperating therewith preferably are realized such that they always define a tangent line L1-L2 in their contact zone, contact point C1-C2, respectively, the inclination angles of which with the horizontal, of which solely one is indicated in figure 10 by A2, are less than 35 degrees.

[0075] Figures 11 and 12 show that the contact point C can also be displaced by the selection of the shape of the surface 19 with which the lock-up body 14 cooperates in coupled condition. It is noted that in coupled condition the connection line L3 between the contact point C, or the middle of the contact zone when the contact is wider than a point, and a point where the lock-up body 14 is supported, is as vertical as possible, as then, amongst others, horizontal force components, which might force the lock-up body back, remain limited. In this respect, it is also preferred that the distance D3, at which the contact C, the center of the contact zone, respectively, is situated from the plane where the floor panels 1 fit against each other, is smaller than 1 mm and still better is smaller than 0.8 mm.

[0076] As represented in figures 2 and 7, the locking

element 12 and the recess 13 are performed such that this locking element 12, in the free, uncoupled condition of the floor panel 1 concerned, is sitting at least partially with its locking portion 17 within the recess 13. This offers, amongst others, the advantage that the strip, of which this locking element consists, when two floor panels 1 are joined into each other by means of a downward movement, in principle never can be pulled out of its seat by friction forces or for any other cause, due to which the good functioning might be disturbed.

[0077] It is clear that the coupling according to the invention can be applied in combination with any floor panel 1.

[0078] Figure 13 shows the application of the embodiment represented in figures 1 to 10 in so-called prefabricated parquet, more particularly in so-called "engineered wood". In this example, this relates to floor panels 1 which are constructed from a core 38 composed of strips 35-36-37, a top layer 39 of wood, as well as a backing layer 40 of wood. The top layer 39 consists of wood of a good quality, which functions as a visible decorative layer. The backing layer 39 may consist of a cheaper kind of wood. The strips 35 preferably also consist of a cheaper, for example, soft kind of wood. However, it is preferred that at the extremities of the floor panels 1 strips 37-38 of a material are applied which is relatively sturdy and suited for providing the desired profile shapes therein, for example, milling them therein. In a practical embodiment, these strips 37-38 consist of MDF (Medium Density Fiberboard) or HDF (High Density Fiberboard). It is clear that the invention can also be applied in combination with other forms of "engineered wood", for example, wherein the core consists of a single continuous MDF/HDF board or of a plywood board.

[0079] Figure 14 represents an application in a laminate floor panel, in this case a so-called DPL (Direct Pressure Laminate), which, in a known manner, consists of a core 41, for example, of MDF or HDF, a top layer 42 on the basis of one or more resin-impregnated layers, for example, a printed decor layer 43 and a so-called overlay 44, as well as a backing layer 45, which also consists of one or more resin-impregnated layers, wherein the whole is consolidated under heat and pressure.

[0080] Applications in other floor panels 1 are not excluded.

[0081] Figures 15 and 16 represent a particular embodiment, wherein in the side of the floor panel 1 situated opposite to the lock-up body 14, a recess 46 is provided, wherein, as can be seen in figure 16, in the longitudinal direction of the edges a rod 47 or the like can be introduced between the floor panels 1, in such a manner that the lock-up body 14 is pushed back and the floor panel concerned can be lifted and thus can be uncoupled.

[0082] Figure 17 represents a variant of the invention, which differs from the above-described embodiment in a number of ways. So, for example, does the pivotable lock-up body 14, next to the extremity 23 along which it is pivotable, comprise a tensioning system 48, which in this

example, as illustrated in the enlarged view of figure 18, substantially consists of a cam 49 realized at said extremity 23, which cam, when the lock-up body 14 is being pivoted outward, also subjects this lock-up body 14 to an axial displacement V3 in the direction of the locking portion 17. It is clear that the cam 49 to this aim must be realized with a suitable elevation, which can be determined by those skilled in art in function of the desired effect. In figure 18, the elevation is illustrated by the distances D4 and D5, wherein D5 is larger than D4. The axial displacement V3 contributes to that the lock-up body 14, during coupling, initially can pivot outward in a smooth manner, however, as soon as it is partially pivoted out, rather quickly is seeking contact with the other floor panel 1 before it can pivot outward too far.

[0083] In the embodiment of figure 17, also no distal stop-forming portion is present, as a result of which the locking element can be pressed into the recess 13 more smoothly. As can be seen in figure 18, the lock-up body 14, instead of a purely pivoting movement, then possibly also may perform a rolling movement, whereby it possibly distances itself somewhat from the proximal lateral wall 25, however, due to settling of the whole when the floor is walked upon, or under the influence of other forces, indeed can take place against this wall again.

[0084] In the embodiment of figure 17, the locking element also is provided with an attachment portion 50 especially provided for this purpose, which portion in this case is performed as a clamped part. As clearly represented in figure 19, the clamping action herein is obtained by an elastic bending and/or deformation of the attachment portion 50.

[0085] Figure 17 also shows that the female part 9 can be performed with a relatively low hook-shaped part 10 and further may have such a shape that two of such floor panels 1 can be brought into each other at the respective edges also by sliding them towards each other, whether or not assisted by the fact that the hook-shaped part 11 possibly is elastically bendable. This manner of joining is illustrated in figure 20. Herein, two possibilities can occur. When the floor panels 1 are held in the same plane and are moved towards each other in this manner, such as indicated by arrow S1, the hook-shaped part 11 is forced to bend out elastically downward. When the floor panels 1 have been slid with their upper edges against each other, the lock-up body 14 automatically comes into the locking position, whereas the bent-out hook-shaped part 11 also bounces back and comes to sit behind the male part 8. When the floor panel 1 comprising the lock-up body 14 at its edge to be coupled is freely movable in height, then during joining a movement according to arrow S2 will take place, wherein the male part 8 arcuately slides over the hook-shaped part 11 in order to finally drop until a locking is obtained. Of course, also combinations of both movements may take place.

[0086] As schematically indicated in figure 17 by arrow S3, the represented coupling parts also allow that two of such panels can be coupled and/or uncoupled by an an-

gling movement, such by applying a suitable height of the hook-shaped part 11 and/or a suitable inclination of the contact surfaces 51-52.

[0087] It is clear that all characteristics described above by means of figures 17 to 20 optionally can also be integrated into other embodiments of the invention.

[0088] It is noted that the locking element 12 according to the invention can be taken up into the sides 2-3 to be coupled at various locations. For example, figures 21 to 23 represent three embodiments, wherein this element is provided at the female part 9 instead of the male part 8, whereas figure 24 represents an embodiment, wherein the locking element 12 is provided in the edge region and thus not in the actual seat where the male part fits into the female part.

[0089] The embodiment of figure 22 shows that the press-on portion 15 also may have a bent or folded-over shape.

[0090] Figure 23 represents that the locking element can also be attached in the recess 13 by means of glue 53, possibly by means of a portion especially provided for this purpose, such as an attachment lip 54, which, for example, is in connection with the press-on portion 15.

[0091] It is noted that the locking element 12, or, thus, the strip, as such can be provided with one or more elastic bending zones, which either form a connection between the actual press-on portion 15 and the lock-up body 14, or a connection between several portions of the press-on portion 15, or still between other portions. Such bending zones allow obtaining the desired mutual movability among the composing parts. The embodiment of figure 23 is an example thereof, wherein two flexible bending zones 15A are provided, between the attachment lip 54 and the press-on part 15 on the one hand and the press-on part 15 and the lock-up body 14 on the other hand.

[0092] Preferably, such bending zones 15A are formed by coextrusion during the manufacture of the locking element 12.

[0093] In general, it is preferred that a locking element according to the invention provides for a stable support in vertical direction, whereas in horizontal direction, thus, in the pivoting direction, a flexible movability is effected. The application of co-extruded parts assists therein.

[0094] In the case of rectangular floor panels, either oblong or square, it is clear that coupling parts can also be provided at the second pair of opposite sides, which coupling parts, in coupled condition, preferably also offer a horizontal as well as a vertical locking. These coupling parts at the second pair of sides also can be performed as a "push-lock" coupling, whether or not in accordance with the present invention. Preferably, however, at the second pair of sides coupling means will be applied allowing a mutual coupling by means of a pivoting movement between two floor panels to be coupled and/or by means of a shifting movement resulting in a snap-on connection. Such coupling parts are widely known from the state of the art and are described, for example, in WO 97/47834.

[0095] In the most preferred embodiment, at the second pair of sides 55-56 coupling parts 57-58 will be applied allowing at least a connection by means of a pivoting movement, as this allows installing the floor panels, as illustrated in figures 25 and 26, in a simple manner. A new floor panel 1C to be installed then can be simply angled at its side 55 into the preceding row of floor panels 1A, and such just next to a preceding floor panel 1B in the same row. When being angled down, the male part of the new floor panel 1C to be installed then automatically engages in the female part of the preceding floor panel 1B, without the necessity of performing another operation. In the case of oblong floor panels 1, thus, it is preferred that the so-called "push-lock" connection then is situated at the short sides.

[0096] Figure 27 represents an example of a particular aspect of the invention. According to this aspect, the locking element 12 consists of a synthetic material strip provided in a recess 13, which strip, in the coupled condition of two floor panels 1, comes into contact with both floor panels 1 and thereby forms a seal, wherein between the upper side 59 of the floor panel 1 and the synthetic material strip also a seal 60-61 is present at the panel edges 62-63. The intention herein is that the synthetic material strip is applied as a seal against the infiltration of water and thereby offers at least a barrier which at least decelerates and preferably completely blocks the possible infiltration of water in between the coupling parts 4-5, whereas the seal 60, 61, respectively, at the panel edges is intended for protecting the panel material 64, which mostly is based on wood, as such against the penetration of water. Possible water which might infiltrate in between two floor panels 1 then cannot or only with difficulty infiltrate up to beneath the floor panels 1, whereby the risk of rotting and mould formation beneath the floor panels 1 is restricted, whereas this water also cannot penetrate into the floor panels 1 themselves and thus a damage at the floor panels 1 themselves, for example, by swelling, is excluded. The moisture present above the synthetic material strip can evaporate in due course.

[0097] In the represented example, the seal against moisture penetration is formed at one side 3 by the contact 65 and at the other side 2 by one or more of the contacts 66, 67 or 68. In order to guarantee a better sealing, the locking element can be provided with one or more sealing material portions 69, for example, of a relatively soft synthetic material or rubber, which are present at the location of the contacts 65-66-67-68 at the locking element 12. These sealing material portions can be provided at the synthetic material strip in any manner. In a practical embodiment, this will be performed by means of co-extrusion.

[0098] The seals 60-61 at the panel edges 62-63 may have any form. As represented, they are formed, for example, by an impregnation layer or a covering layer, such as a lacquer or varnish layer. They extend from at the top layer downward, each time at least up to one of the locations where said contacts are realized. According to

a not represented variant, such seal also may consist in that the top layer extends up to a location where one of the contacts is realized, for example, by applying a top layer which extends over the upper edges downward.

[0099] According to the above last-named aspect, it is intended that the top layer also is waterproof. Moreover, it then may consist of any material, such as a laminate, a film, a lacquer layer, a water-repellent or waterproof print, a varnish or the like.

[0100] It is clear that in this manner both the infiltration of water as well as the penetration of water into the panel edges is avoided.

[0101] It is noted that floor panels which are installed in rows, and then in particular oblong floor panels, show the feature that the floor panels will align in the longitudinal direction of the rows and mostly will adjoin well with their sides against each other, whereas at the sides directed perpendicularly to the rows then openings will occur more easily, due to the fact that such floor panels, as a result of production tolerances, often do not have perfectly perpendicularly aligned sides. At the location of such openings, a fast infiltration is possible, and a sealing by means of somewhat elastic coatings on the upper edges of the floor panels mostly is not effective, as the openings are too large to be bridged thereby. Thus, in particular at the location of these sides a sealing principle according to the above last-named aspect of the invention will show its benefits. In view of the fact that the sides 55-56 of the floor panels, which are intended to extend in the longitudinal direction of the rows, due to the automatic alignment, adjoin to each other rather well, the problem of infiltration at these sides is little or not at all present and, if one wishes to provide a sealing at all four sides, it may suffice that at these sides exclusively a coating or impregnation is provided on the panel edges, as indicated by reference numbers 71-72 in figure 26.

[0102] When, as in figure 27, use is made of a press-on portion 15 which is clamped, and which is formed by co-extrusion, then it is preferred that the transition T is situated closer to the lock-up body 15 than in the embodiment of figure 6. With suitable dimensions in free condition, it may then be obtained that in the mounted condition a force is generated holding the locking element 12 in permanent contact with the support surface 21.

[0103] Figure 28 represents a variant, which is not according to the presently claimed invention, and which makes clear that the inventive idea of the use of a co-extruded locking element 12 in a so-called "push-lock" system is not restricted to embodiments with a pivotable lock-up body. According to figure 28, the lock-up body 14 is displaceable and consists of a relatively hard synthetic material, whereas the press-on portion 15 consists of flexible and elastic synthetic material. Herein, the co-extruded press-on portion 15 functions as an elastic mass situated behind the lock-up body 14 in a spring-like fashion.

[0104] Figure 29 represents another variant, which is comparable to that of figure 17. Herein, the difference

consists in that the hook-shaped part 11 of figure 29 is realized considerably higher than in the embodiment of figure 17, such that the contact surfaces 51-52 at least partially are situated higher than the support surface 21 of the lock-up body.

[0105] Figure 30 represents a preferred variant of an embodiment according to the invention, wherein the locking element 12 is provided in the proximal side of the female part. In respect to the embodiment of figure 29, this offers an important advantage. In figure 29, the edge 73 is made relatively sharp and straight in order to obtain that the lock-up body 14 in free condition still is seated beneath the edge 73. When, during lowering of a floor panel 1 in a manner as depicted in figure 25, the sides 2-3 to be coupled to each other do not perfectly correspond, for example, because the floor panels 1B-1C, seen in top view, are overlapping somewhat, for example, as a result of the warping of floor panels in the preceding row, or as a result of un-squareness of the panels, a condition is created as depicted in figure 31, wherein then the edge 73 scrapes along the upper edge 74. In the embodiment of figure 30, this can easily be counteracted in that the edge 73 can be performed with an adequate chamfer, as a consequence of which a possible contact between edge 73 and upper edge 74 rather results in a sliding movement along each other than in a scraping effect.

[0106] Also, in an embodiment according to figure 29, the locking element 12, when the right-hand floor panel is moved downward, comes into contact with the sharp upper edge 74 of the left-hand floor panel, whereby also a scraping effect may be created, which can impede the installation. In contrast, the embodiment of figure 30 does not show this disadvantage, in view of the fact that the rounded underside of the male part then will slide smoothly along the locking element.

[0107] Figure 30 also relates to an embodiment showing the feature that the floor panels 1 can be joined into each other by a shifting movement S1.

[0108] Moreover, the embodiment of figure 30 shows the following characteristics:

- the coupling parts 4-5 concerned are realized such at the aforementioned sides, that they allow a locking and/or unlocking of two of such floor panels in mutual respect by mutually angling them into each other, out of each other, respectively;
- in free condition, the lip-shaped lock-up body 14 protrudes outward in an inclined manner;
- the lock-up body 14 is provided in the proximal side of the female part 9;
- the female part 9 and the male part 8 comprise contact surfaces 52-51 at their distal extremities, said surfaces being performed upwardly inclined in distal direction;
- the lip-shaped lock-up body 14 is a pivotable body.

[0109] In figure 30, it is also represented that the lock-

up body 14, and still better the entire locking element 12 realized as an insert, is made relatively local, by which in particular is meant that it is only present between a first and a second horizontal level, the first horizontal level N1 of which is situated at a distance beneath the upper side of the coupled floor panels, whereas the second horizontal level N2 is situated lower than the first, however, higher than the lowermost point of the male part. Further, figure 3 also shows that said lock-up body 14 extends over a height H which is at least 40% and still better at least 50% of the height difference between the upper side of such coupled floor panels and the lowermost point of the male part, i.e., D7. It is clear that these characteristics are not limited to the embodiment of figure 30.

[0110] In the case of a pivotable embodiment, wherein one floor panel can be angled into the other or out of it, it is preferred that, as indicated in figure 30, the horizontal distance D6, as measured from the upper edges of the floor panels up to the cooperating point of the contact surfaces 51-52, which is situated farthest away from these upper edges, is at least 1.3 times the distance D7 between the upper side of the floor panels and the underside of the male part, which allows a smooth angling movement.

[0111] In order to allow a smooth angling in and out and/or shifting together, the highest point 75 preferably is situated at a level N3, which is lower than the lowermost point of the lock-up body 14.

[0112] Figure 30 represents a particular construction of a press-on portion 15, wherein it is clear that this construction also can be applied in other embodiments of floor panels according to the invention. This press-on portion, more particularly the construction thereof, shows the following characteristics:

- that the press-on portion 15, viewed in cross-section, is realized as a pivot arm, which is supported or held next to one extremity and adjoins at the other extremity, by means of a hinge and/or bending zone 76, to the rear side of the lock-up body 14;
- that said pivot arm has a hinge and/or bending zone 76-77, respectively, at both extremities, in this case formed by thinner parts in the material; moreover, the zone 77 preferably is situated such in respect to an underlying support surface that an upward-directed pivoting movement is possible in a smoother manner than a downward-directed one;
- that the press-on portion 15 is realized as a mechanism which, when the lock-up body is compressed, will provide for that this lock-up body becomes positioned with one extremity against a support surface 21; more particularly, a compression K1 results in a pivoting movement K2, as a result of which the lock-up element 14 is pressed upwards according to arrow K3 against the support surface 21;
- that the above-mentioned mechanism consists of a pivot arm connecting, one the one hand, to the rear

side of the lock-up body and, on the other hand, is supported by means of a support portion, such as a support collar 78.

[0113] Finally, it is noted that the floor panels according to the invention in general can be realized such that in coupled condition a so-called "pre-tension" is created, which means that the floor panels at their coupled sides are pressed towards each other by means of a tension force. Herein, the tension force can be supplied in any manner. For example, it may be generated by the elastic bending of the lip bordering the underside of the female part. Herein, the principle can be applied which is known from WO 97/47834, more particularly from figure 23 of said WO 97/47834.

[0114] It is also clear that floor panels of the present invention can also be equipped with an anti-creak system, more particularly by application of the principle described in WO 2006/032398.

[0115] Figure 32 shows another embodiment wherein the lock-up body 14 and the attachment portion 50 consist of a relatively rigid material and are connected to each other by coextrusion by means of a material part 79 made as a hinge part, which material part consists of a more flexible and elastic material.

[0116] The lock-up body 14 globally forms an angle with the attachment portion 50 and reaches with the extremity functioning as a support portion 20 up to beyond the actual attachment portion 50, in such a manner that at the location 80, where the lock-up body 14 passes along the attachment portion 50, the distance between the lock-up body 14 and the attachment portion 50 is smaller than the distance from the - in this case upwardly protruding - extremity of the lock-up body 14 to the attachment portion 50.

[0117] The material part 79 is situated between the actual attachment portion 50 and said protruding beyond it extremity of the lock-up body 14. This design has the advantage that the lock-up body 14, due to the small material quantity at the location 80, can hardly be displaced in respect to the attachment portion 50, with the exception of an angling movement, whereas in upward direction sufficient flexible material of the material part 79 is present in order to hold the lock-up body 14 in a certain position and to allow the desired elastic movement thereof. Still another advantage is that, when the lock-up body 14 is angled in, the material on the location 80 is compressed and the lock-up body 14 also is pushed upward, as a consequence of which it remains in contact with the support surface 21.

[0118] In mounted condition, the locking element 12 preferably is supported at least on three locations, on the one hand, at the bottom at the height of the support collar 78, at the top by the upper side 81 of the material part 79, as well as at the height of the represented ribs 82.

[0119] Figure 32 also shows that the attachment portion 60 is provided substantially flat in the recess 13, in other words, that the direction 83 in which this attachment

direction 50 extends, deviates little or not at all from the plane of the floor panels. By altering this direction 83, which a manufacturer of floor panels can do in a simple manner by positioning the recess 13 somewhat differently, different functioning characteristics in respect to angling the lock-up body in and out can be obtained, such that an optimization is possible.

[0120] Figures 33 to 37 represent another variant of the invention. A number of differences in respect to the embodiment of figure 32 will be discussed in the following.

[0121] A first difference consists in that the locking element 12 in vertical direction is supported in the recess 13 by means of only three support portions, or at least substantially by only three support portions, one support portion of which is formed by the aforementioned support portion 20 of the lock-up body 14. The other two support portions, 84 and 85, respectively, preferably are situated at the upper side and underside of the actual attachment portion 50. More particularly, it is preferred that the support portion 84 situated at the top is located in respect to the floor panel more proximally than the support portion 85 situated at the bottom. Still more particularly, it is preferred that the support portion 84 of the upper side is located at the - situated proximally in respect to the floor panel 1 - extremity of the actual attachment portion 50, whereas the support portion 85 is located at the distally situated extremity. A considerable difference from the embodiment of figure 32 thus is that the material part 79, at least in the free condition, does not form a support point. It is clear that one and the same support portion as such may comprise several contact points, for example, if it should have a ribbed surface.

[0122] In this embodiment, the locking element 12 is configured such that in the mounted, however, not impressed condition, namely the one from figure 33, a certain clamping thereof in the recess 13 is created. This is obtained, for example, by the elastic deformation of the actual body of the attachment portion 50 from the position represented in dashed line in figure 33 to the position represented in solid line, which deformation is achieved during clamping of the locking element 12 in the recess 13.

[0123] A second difference consists in that the actual attachment portion 50 is configured and attached in the recess 13 such, that during joining of two floor panels 1 a certain movability of the actual attachment portion 50 is possible. In the represented example, the support portion 85 to this aim is provided with a guiding surface 86, which can cooperate with an inclined guiding surface 87 at the floor panel, whereby a small displacement 88 of the attachment portion 50 is possible, such as will be described in the following by means of figures 34 to 37.

[0124] Figures 34 to 37 represent successive conditions of the locking element 12 during joining of two floor panels 1. Figure 34 shows the rest position. Due to the tension force in this entity, the support portion 85 has the tendency to slide downward along the guiding surface 8

until it reaches the represented position. Figures 35 and 36 represent successive conditions, wherein the right-hand panel is angled down and the lock-up body 14 is pushed aside. Due to the fact that on the location 80 very little material of the material portion 79 is present between the lock-up body 14 and the actual attachment portion 50, this latter, starting from a certain moment, is also forced somewhat inward, wherein it moves with its guiding surface 86 along the guiding surface 87, until it reaches a condition, as depicted in figure 36. Herein, the attachment portion 50, so to speak, makes room for the movement of the lock-up body 14 and thereby performs a more or less rotating displacement 88, such, for example, until it comes with its extremity 89 into contact with the deepest point of the recess 13. Hereby is obtained, amongst others, that the support portion 20 rotates practically exclusively at its place along its highest point and performs little or no rolling movement along the floor panel. Further, the whole may be designed such that the actual attachment portion 50, after the locking of the floor panels, also more or less arrives back at its initial location, as depicted in figure 37. The downward-protruding support portion 85 thus indeed provides for a blocking function, which determines the normal position of the locking element 12 in the recess, however, with a certain load in fact will allow an extra movement 88.

[0125] As represented in figure 36, the locking element 12 according to the invention may also be configured such that in the most impressed condition, a free space 90 is created between the support portion 20 and the wall of the recess 13. The proper configuration for this purpose can be determined by tests. An advantage thereof is that during the initial backward movement of the lock-up body 14, there is no friction present between the support portion 20 and the wall of the recess 13, which might prevent the smooth pivoting outward of the lock-up body 14.

[0126] As is represented in figure 34 by dashed line 91, according to a variant a deformation may be provided in the wall of the recess 13, which deformation cooperates with a deformation in the attachment portion 50, as a result of which the locking element 12, so to speak, can be fixedly attached in the recess 13 by means of a snap-connection.

[0127] It is clear that the essential characteristics of the embodiments of the figures 32 and 33-37 consist in that the locking element 12, viewed in cross-section, consists at least of an actual attachment portion 50, a lock-up body 14, which can perform at least an angling movement, and a material part 79, which is present between the attachment portion 50 and the lock-up body 14, which material part consists of a material which is more flexible and elastic than the material of the lock-up body 14 and which thereby functions at least as a hinge part. From the above, it is clear that all other characteristics described by means of figures 33 to 37 are facultative and that all these facultative characteristics can be mutually combined at random. Herein, the most important pre-

ferred characteristic consists in that the attachment portion 50, the material part 79 and the lock-up body 40 by means of coextrusion are realized as a one-piece strip. Herein, it is preferred that the actual attachment portion 50 and the lock-up body 14 are manufactured of one and the same material, whereas the material part 79 consists of a more flexible material. In principle, the same basic substances can be applied for both materials, however, they may differ from each other by the addition of additives, such as plasticizers. The material of the material part 79 preferably behaves like a relatively soft rubber, whereas the material of the actual attachment portion 50 and of the lock-up body 40 preferably behaves like a classic synthetic material, such as common PVC, and thus, in view of the small dimensions in cross-sections, also behaves in a relatively rigid manner.

[0128] It is clear that the embodiment according to figures 33 to 37 also allows that two of such floor panels can be brought into each other at the represented edges not only by means of a downward movement, but also by means of an angling movement or by shifting towards each other. Unlocking may take place, for example, by angling the floor panels out of each other. Also, it is not excluded to provide a recess in this embodiment, analogous to the recess 46 in figures 15 and 16, such that unlocking by means of a rod 47 is possible.

[0129] In general, it is noted that by the characteristic that "the support portion, for example, 20, is rotatable against a support surface, for example, 21", it is intended that there is a contact at least during part of the rotation and that it thus is not excluded that there is no contact for a part of the rotation, as becomes clear from the example of figure 36, wherein in a certain position indeed a free space 90 is present. The contact will normally be present indeed from a certain angling-out of the lock-up body.

[0130] The fact that such support portion 20 is rotatable against a support surface 21, must be interpreted in the broadest sense. The rotation can provide for a local rotation of the support portion 20, as well as a rolling movement along the support surface, as well as a combination of both. Also, it is not excluded that the turning movement is combined with shifting. A local rotation, or "pivoting against a support or rotation point", may concern a turning around a point or zone which is, are, respectively, situated in the support surface 21, as well as a rotation point or rotation zone at a distance from the support surface.

[0131] In the production of floor panels according to the invention, the recess 13 can be realized in any manner. According to a preferred characteristic, this takes place by means of a milling treatment, which is performed when realizing said female coupling part.

[0132] The application of the strip-shaped locking element 12 in the recess 13 may also be performed in any manner. In the following, two non-restrictive embodiments of methods for this purpose are described, which can be applied within the scope of the present invention.

[0133] According to a first technique, the strip-shaped locking element 12 systematically is fixedly pressed on in the recess 13, preferably is rolled into it. Preferably, this takes place, as represented in figure 38, by displacing the floor panels 1, which mostly are lying upside down, by means of a conveyor 92, supplying thereto a strip 93 from which the strip-shaped locking elements 12 have to be cut off, and fixedly pressing on this strip 93, the locking elements 12 cut off therefrom, respectively, in the recesses 13 of the successive floor panels 1 by means of a locally installed rotating press-on roll 94. Figures 39 to 41 show, how the strip is pressed on in the recess 13 by means of the press-on roll 94, which to this aim can be provided with a profiled surface 95.

[0134] It is clear that the strip 93 can be supplied from a stock, for example, a wound stock. Further, a cutting device 96 is present for separating the locking elements 12 at a suitable length from the strip 93, which device is illustrated schematically only. It is clear that in practice the necessary guiding elements will be present in order to have the strip 93 and the locking element 12 follow the correct course, of which the guiding element 97 in figures 40 and 41 is an example.

[0135] Figure 42 shows a variant, wherein a method is applied wherein a cut to length strip-shaped locking element 12 over its entire length simultaneously is pressed into the recess 13. As represented in figure 42, this preferably is performed by means of a device with a slider or plunger 98, with which the locking element 12 laterally is pushed over its entire length at one go into the recess 13. As represented, the device preferably comprises a holder 99, in which a space 100 is defined, in which a locking element 12 to be applied can be taken up and wherein the plunger 98 can be shifted. Then, the holder 99, together with the plunger 98 present therein and the locking element 12 present therein, is positioned opposite to the edge of a floor panel concerned, as illustrated in figure 42, after which, by displacing the plunger 98 to and fro to the right, the locking element 12 is brought from the position represented in solid line to this position represented in dashed line, after which it remains in the recess 13.

[0136] Figure 43 schematically shows how the device from figure 42 can be applied in practice. In this example, the floor panels 1 are displaced along a conveyor 92. The holder 99, too, can perform various displacements, as will become clear from the function sequence described in the following.

[0137] Initially, the holder 99 is situated in a position 101. First, a strip 93 is supplied to the holder, which strip is provided in the space 100. As represented, this may be realized, for example, by displacing the holder 99 along a press-on roll 103 with which the strip 93, which is supplied from a not represented stock, is directed into the space 100 of the holder 99, as illustrated for the position 102 of the holder 99. The length necessary for forming the locking element 12 is then cut off by means of the schematically represented cutting device 104. In the

meantime, a floor panel has arrived in a position 105. Subsequently, the holder 99 can follow the movement of a passing floor panel 1, as a result of which they come into positions 106 and 107, respectively. During this movement, the holder 99 and the floor panel concerned can be presented to each other, for example, by laterally displacing the holder 99 until it reaches position 108. Hereby then the condition of figure 42 is obtained, after which it suffices to activate the plunger 98 in order to bring the locking element 12 into the recess 13. As described above, all this can take place during the continuous conveyance of the floor panels, for example, after they exit the milling device and before they are packaged. The holder 99, or possibly several applied holders 99, then can be displaced to and fro through all abovementioned positions. Also, multiple holders on a conveyor belt might be used, wherein a holder then is brought from position 108 back to position 101, while already one or more other holders pass through the same trajectory. According to a variant, panels also may be supplied stepwise instead of continuously to an insertion device for locking elements 12.

[0138] It is clear that by a lock-up body 14 which can be pivoted or bent out, it is intended that it can be pivoted or can be bent out in the plane of a cross-section.

[0139] According to the invention, it is noted that the support portion of the lock-up body, around which it is rotatable, is a support portion which is intended to take up the forces when the floor panels attempt to get away from each other in upward direction. From US2007/0006543, which corresponds to WO2007/008139, also a rotatable locking element is known, which, however, contrary to the invention, does not rotate around a support point which, as above, is intended to provide for a lock-up support function which counteracts the unlocking of the floor panels.

[0140] By a "rigid" lock-up body, it is meant that this rigidity exists at least in a plane according to the cross-section.

[0141] The present invention is in no way limited to the embodiments described by way of example and represented in the figures, on the contrary may such floor panels be realized in various forms and dimensions, without leaving the scope of the invention.

[0142] From the above, it is clear that the invention, and in particular the locking element according to the invention, can be employed in various floor panels, amongst others, in laminate floor panels, prefabricated floor panels, such as so-called "engineered wood", solid parquet, veneer parquet, as well as floor panels which are provided with any top layer, for example, vinyl, linoleum, stone, metal and the like.

[0143] It is noted that the core of such floor panel not necessary has to consist of wood or a product on the basis of wood and in principle may consist of any material, thus, for example, also synthetic material.

Claims

1. Floor panel comprising, at least at two opposite sides (2-3), coupling parts (4-5) with which two of such floor panels (1) can be coupled to each other; wherein these coupling parts (4-5) form a horizontally active locking system (6) and a vertically active locking system (7); wherein the horizontally active locking system (6) has a male part (8) and a female part (9), which allow to connect two of such floor panels (1) to each other at the aforementioned sides (2-3) by providing one of these floor panels (1) with the pertaining male part (8), by means of a downward movement (M), in the female part (9) of the other floor panel (1); wherein the vertically active locking system (7) comprises a locking element (12), which is provided in the form of an insert in one of the sides (2-3) concerned; wherein this locking element (12) comprises at least a pivotable lock-up body (14); and wherein the lock-up body (14) at one extremity forms a stop-forming locking portion (17), which can cooperate with a locking portion (18) of a similar coupled floor panel (1); **characterized in that** the pivotable lock-up body (14), opposite from the extremity forming the locking portion (17), comprises a support portion (20), around which the pivotable lock-up body (14) is rotatable and which, in a coupled condition of two of such floor panels (1), is intended to take up the forces when the coupled floor panels (1) attempt to get away from each other in upward direction; and that the lock-up body (14), between the locking portion (17) and the support portion (20), in itself is free from hinge portions and bending sections.
2. Floor panel according to claim 1, **characterized in that** the support portion (20) at the local pivot zone is rotatable against a support surface (21) pertaining to the floor panel concerned, and more particularly is rotatable in a seat (22).
3. Floor panel according to claim 1 or 2, **characterized in that** the pivotable lock-up body (14), opposite from the locking portion (17), comprises a support portion (20) in the form of a free extremity, which, at least in vertical direction (V), is positively supported by a support portion (24) pertaining to the floor panel (1).
4. Floor panel according to any of the preceding claims, **characterized in that** the lock-up body (14) is rotatable around a rotation point, support point, respectively, and that the locking element (12) comprises a press-on portion (15) which engages with the pivotable lock-up body at a location in between the outer extremities of the lock-up body.
5. Floor panel according to any of the preceding claims, **characterized in that** the vertically active locking system (7) comprises a tensioning system (29-48), which is formed by a cam surface (30) formed at the free extremity of the lock-up body (14), which cam surface, in coupled condition, provides a wedge effect against the opposite locking portion of the coupled floor panel (1).
6. Floor panel according to any of the preceding claims, **characterized in that** said locking element (12) is provided at said male part (8).
7. Floor panel according to any of the preceding claims, **characterized in that** the pivotable lock-up body (14), opposite from the extremity forming the locking portion (17), comprises a support portion (20) in the form of a free extremity, wherein this support portion (20), in the coupled condition of two floor panels (1), is supported in vertical as well as in proximal direction in respect to the floor panel (1).
8. Floor panel according to claim 7, **characterized in that** it comprises a stop-forming part (26), which, in a distal direction in respect to the floor panel (1), forms a blockage for the support portion (20).
9. Floor panel according to any of the preceding claims, **characterized in that** the lock-up body (14) is performed as a rigid body.
10. Floor panel according to any of the preceding claims, **characterized in that** the pivotable lock-up body (14), next to the extremity along which it is rotatable, comprises a tensioning system (48).
11. Floor panel according to claim 10, **characterized in that** the tensioning system (48) consists of a cam realized at said extremity, which cam, when the lock-up body (14) is rotated outward, also subjects this lock-up body (14) to an axial displacement in the direction of the locking portion (17).
12. Floor panel according to any of the preceding claims, **characterized in that** the locking element (12) is provided in a recess (13) and that, in the free non-coupled condition, it is still seated with its locking portion (17) at least partially within the recess (13).
13. Floor panel according to any of the preceding claims, **characterized in that** it comprises a press-on portion (15) effecting laterally on the lock-up body (14).
14. Floor panel according to claim 4 or 13, **characterized in that** the press-on portion (15) shows one or more of the following features:
 - that it consists of an elastic material;
 - that it consists of an elastic material which as such is more flexible than the material of the lock-up body (14), which, preferably by means

- of coextrusion, is made in one piece with the lock-up body (14);
- that it consists of a foldable or bendable portion;
 - that it is provided with an attachment portion (50);
 - that it is provided with an attachment portion (50) in the form of a clamped part;
 - that it is provided with a portion with which it is glued to the floor panel (1);
 - that it consists, viewed in cross-section, of an elastically bendable leg;
 - that it is provided with one or more elastic bending zones, which either form a connection between the actual press-on portion (15) and the lock-up body (14), or a connection between several portions of the press-on portion (15);
 - that the press-on portion (15), viewed in cross-section, is realized as a pivot arm which, next to one extremity, is supported or held and, at the opposite extremity, adjoins to the rear side of the lock-up body (14) by means of a hinge and/or bending zone (76);
 - that said pivot arm comprises a hinge and/or bending zone (76-77) at both extremities;
 - that the press-on portion (15) is realized as a mechanism which, when the lock-up body is compressed, provides for that this lock-up body is positioned with one extremity against a support surface (21);
 - that the aforementioned mechanism consists of a pivot arm connected, on the one hand, to the rear side of the lock-up body, and, on the other hand, is supported by means of a support portion, such as a support collar (78).
15. Floor panel according to claim 13, **characterized in that** the press-on portion (15) consists at least of, viewed in cross-section, a leg adjoining to the rear side of the lock-up body (14), which leg in free condition extends in an inclined manner in respect to the lock-up body (14), starting from a location situated between the two extremities of the lock-up body (14) and under an angle of less than 70 degrees with the portion of the lock-up body (14) extending from said location to the locking portion (17).
16. Floor panel according to any of the preceding claims, **characterized in that** the insert consists of a strip of synthetic material.
17. Floor panel according to any of the preceding claims, **characterized in that** the locking element (12) consists of a strip which is attached in a recess (13) in the floor panel (1) and that hereby attachment provisions are present, which retain the strip in the recess (13).
18. Floor panel according to claim 17, **characterized in**

that the strip is snap-fitted in place in the recess (13).

19. Floor panel according to any of the claims 16 to 18, **characterized in that** the locking element (12) consists of a co-extruded synthetic material strip with, viewed in cross-section, zones of synthetic material with different features, more particularly different flexibility.
20. Floor panel according to claim 19, **characterized in that** the lock-up body (14) is made in one piece with a material part (79) pertaining to the locking element (12), which allows an elastic movement of the lock-up body (14), wherein this material part consists of a material, which as such is more flexible and bendable than the material from which the lock-up body (14) basically is formed; **in that** said material part is realized as a local hinge part; and **in that** said material part forms a connection between the lock-up body (14) and an attachment portion (50), wherein the lock-up body (14) and the attachment portion (50) consist of material which is less flexible than the aforementioned material part.

Patentansprüche

1. Fußbodenpaneel, das an mindestens an zwei gegenüberliegenden Seiten (2-3) Kupplungsteile (4-5) umfasst, womit zwei solche Fußbodenpaneele (1) aneinandergeschlossen werden können; wobei diese Kupplungsteile (4-5) ein horizontal aktives Verriegelungssystem (6) und ein vertikal aktives Verriegelungssystem (7) bilden; wobei das horizontal aktive Verriegelungssystem (6) ein männliches Teil (8) und ein weibliches Teil (9) besitzt, die gestatten, dass zwei solche Fußbodenpaneele (1) an den vorgeannten Seiten (2-3) miteinander verbunden werden können, indem eines dieser Fußbodenpaneele (1) mit dem zugehörigen männlichen Teil (8) mittels einer Abwärtsbewegung (M) in dem weiblichen Teil (9) des anderen Fußbodenpaneels (1) angebracht wird; wobei das vertikal aktive Verriegelungssystem (7) ein Verriegelungselement (12) umfasst, das in Form eines Einsatzstücks in einer der betreffenden Seiten (2-3) angebracht ist; wobei dieses Verriegelungselement (12) mindestens einen schwenkbaren Blockierkörper (14) umfasst; und wobei der Blockierkörper (14) an einem Ende ein anschlagbildendes Verriegelungsteil (17) bildet, das mit einem Verriegelungsteil (18) eines gleichartigen gekoppelten Fußbodenpaneels (1) zusammenwirken kann; **dadurch gekennzeichnet, dass** der schwenkbare Blockierkörper (14), gegenüber dem Ende, das das Verriegelungsteil (17) bildet, ein Stützteil (20) umfasst, um welches der schwenkbare Blockierkörper (14) rotierbar ist und welches, in einem gekoppelten Zustand zweier solcher Fußbodenpaneele (1), dazu

- bestimmt ist, die Kräfte aufzunehmen, wenn die gekoppelten Fußbodenpaneele (1) versuchen, sich in Aufwärtsrichtung voneinander zu lösen; und dass der Blockierkörper (14), zwischen dem Verriegelungsteil (17) und dem Stützteil (20), an sich frei von Scharnierteilen und Biegeabschnitten ist.
2. Fußbodenpaneel nach Anspruch 1, **dadurch gekennzeichnet, dass** das Stützteil (20) an der örtlichen Schwenkzone gegen eine zu dem betreffenden Fußbodenpaneel gehörende Stützfläche (21) verdrehbar ist und spezieller in einem Sitz (22) verdrehbar ist.
 3. Fußbodenpaneel nach Anspruch 1 oder 2, **dadurch gekennzeichnet, dass** der schwenkbare Blockierkörper (14), entgegengesetzt zu dem Verriegelungsteil (17), ein Stützteil (20) in Form eines freien Endes umfasst, das mindestens in vertikaler Richtung (V) durch ein zu dem Fußbodenpaneel (1) gehörendes Stützteil (24) positiv unterstützt ist.
 4. Fußbodenpaneel nach einem der vorhergehenden Ansprüche, **dadurch gekennzeichnet, dass** der Blockierkörper (14) um einen Drehpunkt, beziehungsweise Stützpunkt, schwenkbar ist und dass das Verriegelungselement (12) ein Andrückteil (15) umfasst, das an einer Stelle zwischen den äußeren Enden des Blockierkörpers an dem schwenkbaren Blockierkörper angreift.
 5. Fußbodenpaneel nach einem der vorhergehenden Ansprüche, **dadurch gekennzeichnet, dass** das vertikal aktive Verriegelungssystem (7) ein Spannsystem (29-48) umfasst, das durch eine an dem freien Ende des Blockierkörpers (14) gebildete Nockenfläche (30) gebildet ist, welche Nockenfläche in gekoppeltem Zustand eine Keilwirkung gegen das gegenüberliegende Verriegelungsteil des gekoppelten Fußbodenpaneels (1) bereitstellt.
 6. Fußbodenpaneel nach einem der vorhergehenden Ansprüche, **dadurch gekennzeichnet, dass** besagtes Verriegelungselement (12) an besagtem männlichen Teil (8) vorgesehen ist.
 7. Fußbodenpaneel nach einem der vorhergehenden Ansprüche, **dadurch gekennzeichnet, dass** der schwenkbare Blockierkörper (14), gegenüber von dem Ende, das das Verriegelungsteil (17) bildet, ein Stützteil (20) in Form eines freien Endes umfasst, wobei dieses Stützteil (20) im gekoppelten Zustand zweier Fußbodenpaneele (1) sowohl in vertikaler als auch in proximaler Richtung bezüglich des Fußbodenpaneels (1) unterstützt ist.
 8. Fußbodenpaneel nach Anspruch 7, **dadurch gekennzeichnet, dass** es ein anschlagbildendes Teil (26) umfasst, das in einer distalen Richtung bezüglich des Fußbodenpaneels (1) eine Blockierung für das Stützteil (20) bildet.
 9. Fußbodenpaneel nach einem der vorhergehenden Ansprüche, **dadurch gekennzeichnet, dass** der Blockierkörper (14) als starrer Körper ausgeführt ist.
 10. Fußbodenpaneel nach einem der vorhergehenden Ansprüche, **dadurch gekennzeichnet, dass** der schwenkbare Blockierkörper (14) in der Nähe des Endes, an dem entlang er schwenkbar ist, ein Spannsystem (48) umfasst.
 11. Fußbodenpaneel nach Anspruch 10, **dadurch gekennzeichnet, dass** das Spannsystem (48) aus einer an dem besagten Ende verwirklichten Nocke besteht, die bei dem nach außen Schwenken des Blockierkörpers (14) diesen Blockierkörper (14) auch einer axialen Verschiebung in die Richtung des Verriegelungsteils (17) unterzieht.
 12. Fußbodenpaneel nach einem der vorhergehenden Ansprüche, **dadurch gekennzeichnet, dass** das Verriegelungselement (12) in einer Aussparung (13) angebracht ist und dass es in dem freien, nicht gekoppelten Zustand mit seinem Verriegelungsteil (17) noch mindestens teilweise in der Aussparung (13) sitzt.
 13. Fußbodenpaneel nach einem der vorhergehenden Ansprüche, **dadurch gekennzeichnet, dass** es ein Andrückteil (15) umfasst, das seitlich auf den Blockierkörper (14) einwirkt.
 14. Fußbodenpaneel nach Anspruch 4 oder 13, **dadurch gekennzeichnet, dass** das Andrückteil (15) eine oder mehrere der folgenden Eigenschaften aufweist:
 - dass es aus einem elastischen Material besteht;
 - dass es aus einem elastischen Material besteht, das an sich flexibler ist als das Material des Blockierkörpers (14), das bevorzugt mittels Coextrusion einteilig mit dem Blockierkörper (14) ausgeführt ist;
 - dass es aus einem knickbaren oder biegbaren Teil besteht;
 - dass es mit einem Befestigungsteil (50) versehen ist;
 - dass es mit einem Befestigungsteil (50) in Form eines eingeklemmten Teils versehen ist;
 - dass es mit einem Teil versehen ist, womit es an das Fußbodenpaneel (1) geleimt ist;
 - dass es, im Querschnitt gesehen, aus einem elastisch verbiegbaren Bein besteht;
 - dass es mit einer oder mehreren elastischen

Biegezone versehen ist, die entweder eine Verbindung zwischen dem eigentlichen Andrückteil (15) und dem Blockierkörper (14), oder eine Verbindung zwischen mehreren Teilen des Andrückteils (15) bilden;

- dass das Andrückteil (15), im Querschnitt gesehen, als Schwenkarm ausgeführt ist, der in Nähe eines Endes gestützt oder festgehalten wird und an dem gegenüberliegenden Ende mittels einer Scharnier- und/oder Biegezone (76) an die Rückseite des Blockierkörpers (14) anschließt;

- dass der vorgenannte Schwenkarm an beiden Enden eine Scharnier- und/oder Biegezone (76-77) besitzt;

- dass das Andrückteil (15) als ein Mechanismus ausgeführt ist, der bei einem Eindrücken des Blockierkörpers dafür sorgt, dass dieser Blockierkörper mit einem Ende gegen eine Stützfläche (21) positioniert wird;

- dass der vorgenannte Mechanismus aus einem Schwenkarm besteht, der einerseits an der Rückseite des Blockierkörpers anschließt und andererseits mittels eines Stützteils, wie etwa eines Stützkragens (78), unterstützt wird.

15. Fußbodenpaneel nach Anspruch 13, **dadurch gekennzeichnet, dass** das Andrückteil mindestens besteht aus, im Querschnitt gesehen, einem an der Rückseite des Blockierkörpers (14) anschließenden Bein, das sich in freiem Zustand schräg bezüglich des Blockierkörpers (14) erstreckt, ab einer Stelle, die sich zwischen den zwei Enden des Blockierkörpers (14) befindet, und unter einem Winkel von weniger als 70 Grad mit dem Teil des Blockierkörpers (14), der sich ab der vorgenannten Stelle zu dem Verriegelungsteil (17) erstreckt.

16. Fußbodenpaneel nach einem der vorhergehenden Ansprüche, **dadurch gekennzeichnet, dass** das Einsatzstück aus einem Streifen aus Kunststoff besteht.

17. Fußbodenpaneel nach einem der vorhergehenden Ansprüche, **dadurch gekennzeichnet, dass** das Verriegelungselement (12) aus einem Streifen besteht, der in einer Aussparung (13) in dem Fußbodenpaneel (1) befestigt ist und dass hierbei Befestigungsvorrichtungen vorhanden sind, die den Streifen in der Aussparung (13) festhalten.

18. Fußbodenpaneel nach Anspruch 17, **dadurch gekennzeichnet, dass** der Streifen in der Aussparung (13) eingerastet ist.

19. Fußbodenpaneel nach einem der vorhergehenden Ansprüche, **dadurch gekennzeichnet, dass** das Verriegelungselement (12) aus einem coextrudier-

ten Kunststoffstreifen mit, im Querschnitt gesehen, Zonen aus Kunststoff mit unterschiedlichen Eigenschaften, speziell unterschiedlicher Flexibilität, besteht.

20. Fußbodenpaneel nach Anspruch 19, **dadurch gekennzeichnet, dass** der Blockierkörper (14) einteilig mit einem zu dem Verriegelungselement (12) gehörenden Materialteil (79) ausgeführt ist, das eine elastische Bewegung des Blockierkörpers (14) gestattet, wobei dieses Materialteil aus einem Material besteht, das an sich flexibler und biegsamer als das Material ist, woraus der Blockierkörper (14) im Wesentlichen geformt ist; dass das vorgenannte Materialteil als ein örtliches Scharnierteil ausgeführt ist; und dass das vorgenannte Materialteil eine Verbindung zwischen dem Blockierkörper (14) und einem Befestigungsteil (50) bildet, wobei der Blockierkörper (14) und das Befestigungsteil (50) aus Material bestehen, das weniger flexibel als das vorgenannte Materialteil ist.

Revendications

1. Panneau de sol comprenant, au moins à deux côtés opposés (2-3), des éléments d'accouplement (4-5) avec lesquels deux desdits panneaux de sol (1) peuvent être accouplés l'un à l'autre ; dans lequel ces éléments d'accouplement (4-5) forment un système de verrouillage (6) actif en direction horizontale et un système de verrouillage (7) actif en direction verticale ; dans lequel le système de verrouillage (6) actif en direction horizontale possède une partie mâle (8) et une partie femelle (9) qui permettent de relier deux desdits panneaux de sol (1) l'un à l'autre aux côtés susmentionnés (2-3) en insérant un de ces panneaux de sol (1) avec la partie mâle afférente (8), au moyen d'un mouvement descendant (M), dans la partie femelle (9) de l'autre panneau de sol (1) ; dans lequel le système de verrouillage (7) actif en direction verticale comprend un élément de verrouillage (12) qui est prévu sous la forme d'un insert dans un des côtés (2-3) concerné ; dans lequel cet élément de verrouillage (12) comprend au moins un corps de blocage pivotant (14) ; et dans lequel le corps de blocage (14), à une extrémité, forme une portion de verrouillage faisant office d'arrêt (17) qui peut coopérer avec une portion de verrouillage (18) d'un panneau de sol accouplé similaire (1) ; **caractérisé en ce que** le corps de blocage pivotant (14), à l'opposé de l'extrémité faisant office de portion de verrouillage (17), comprend une portion de support (20), autour de laquelle le corps de blocage pivotant (14) est rotatif et qui, en état accouplé de deux desdits panneaux de sol (1), est destiné d'absorber les forces quand les panneaux de sol (1) accouplés tentent de sortir l'un de l'autre dans la direction vers le

- haut ; et **en ce que** le corps de blocage (14), entre la portion de verrouillage (17) et la portion de support (20), en soi, est exempt de portions articulées et de tronçons flexibles.
2. Panneau de sol selon la revendication 1, **caractérisé en ce que** la portion de support (20), dans la zone de pivotement local, est rotative par rapport à une surface de support (21) afférente au panneau de sol concerné, et plus particulièrement est rotative dans un siège (22).
 3. Panneau de sol selon la revendication 1 ou 2, **caractérisé en ce que** le corps de blocage pivotant (14), à l'opposé de la portion de verrouillage (17), comprend une portion de support (20) sous la forme d'une extrémité libre qui, au moins en direction verticale (V), est supportée de manière positive par une portion de support (24) afférente au panneau de sol (1).
 4. Panneau de sol selon l'une quelconque des revendications précédentes, **caractérisé en ce que** le corps de blocage (14) est rotatif autour d'un point de rotation, d'un point de support, respectivement, et **en ce que** l'élément de verrouillage (12) comprend une portion de pression (15) qui raccorde avec le corps de blocage pivotant à un endroit situé entre les extrémités externes du corps de blocage.
 5. Panneau de sol selon l'une quelconque des revendications précédentes, **caractérisé en ce que** le système de verrouillage (7) actif en direction verticale comprend un système de mise sous tension (29-48) qui est formé par une surface de came (30) formée à l'extrémité libre du corps de blocage (14), ladite surface de came, à l'état accouplé, déployant un effet de coin sur la portion de verrouillage opposée du panneau de sol accouplé (1).
 6. Panneau de sol selon l'une quelconque des revendications précédentes, **caractérisé en ce que** ledit élément de verrouillage (12) est prévu à ladite partie mâle (8).
 7. Panneau de sol selon l'une quelconque des revendications précédentes, **caractérisé en ce que** le corps de blocage pivotant (14), à l'opposé de l'extrémité formant la portion de verrouillage (17), comprend une portion de support (20) sous la forme d'une extrémité libre, dans lequel cette portion de support (20), à l'état accouplé de deux panneaux de sol (1), est supportée aussi bien en direction verticale qu'en direction proximale par rapport au panneau de sol (1).
 8. Panneau de sol selon la revendication 7, **caractérisé en ce qu'il** comprend une partie faisant office d'arrêt (26) qui, en direction distale par rapport au panneau de sol (1), forme un blocage pour la portion de support (20).
 9. Panneau de sol selon l'une quelconque des revendications précédentes, **caractérisé en ce que** le corps de blocage (14) est réalisé sous la forme d'un corps rigide.
 10. Panneau de sol selon l'une quelconque des revendications précédentes, **caractérisé en ce que** le corps de blocage pivotant (14), à côté de l'extrémité le long de laquelle il est rotatif, comprend un système de mise sous tension (48).
 11. Panneau de sol selon la revendication 10, **caractérisé en ce que** le système de mise sous tension (48) est constitué par une came réalisée à ladite extrémité, ladite came, lorsque le corps de blocage (14) effectue une rotation vers l'extérieur, soumet également ce corps de blocage (14) à un déplacement axial dans la direction de la portion de verrouillage (17).
 12. Panneau de sol selon l'une quelconque des revendications précédentes, **caractérisé en ce que** l'élément de verrouillage (12) est prévu dans un évidement (13) et **en ce que**, à l'état libre non accouplé, il est toujours logé avec sa portion de verrouillage (17) au moins en partie dans l'évidement (13).
 13. Panneau de sol selon l'une quelconque des revendications précédentes, **caractérisé en ce qu'il** comprend une portion de pression (15) qui agit latéralement sur le corps de blocage (14).
 14. Panneau de sol selon la revendication 4 ou 13, **caractérisé en ce que** la portion de pression (15) présente une ou plusieurs des caractéristiques indiquées ci-après :
 - le fait qu'elle est constituée par une matière élastique ;
 - le fait qu'elle est constituée par une matière élastique qui comme telle est plus flexible que la matière du corps de blocage (14), qui est réalisée de préférence par coextrusion en une seule pièce avec le corps de blocage (14) ;
 - le fait qu'elle est constituée par une portion pliable ou flexible ;
 - le fait qu'elle est munie d'une portion de fixation (50) ;
 - le fait qu'elle est munie d'une portion de fixation (50) sous la forme d'un élément fixé par pincement ;
 - le fait qu'elle est munie d'une portion avec laquelle elle est collée au panneau de sol (1) ;
 - le fait qu'elle est constituée, lorsqu'on laregar-

- de dans une vue en coupe transversale, d'une patte manifestant une aptitude au fléchissement élastique ;
- le fait qu'elle est munie d'une ou de plusieurs zones de fléchissement élastique, qui forment, soit une liaison entre la portion de pression proprement dite (15) et le corps de blocage (14), soit une liaison entre plusieurs portions de la portion de pression (15) ;
 - le fait que la portion de pression (15), lorsqu'on la regarde dans une vue en coupe transversale, est réalisée sous la forme d'un bras pivotant qui, à côté d'une extrémité, est supporté ou maintenu et, à l'autre extrémité, vient se disposer en position adjacente au côté arrière du corps de blocage (14) au moyen d'une articulation et/ou d'une zone flexible (76) ;
 - le fait que ledit bras pivotant comprend une articulation et/ou une zone flexible (76-77) à ses deux extrémités ;
 - le fait que la portion de pression (15) est réalisée sous la forme d'un mécanisme qui, lorsque le corps de blocage est comprimé, fait en sorte que ce corps de blocage vient se disposer avec une de ses extrémités, contre une surface de support (21) ;
 - le fait que le mécanisme susmentionné est constitué par un bras pivotant qui d'une part est relié au côté arrière du corps de blocage et d'autre part est supporté au moyen d'une portion de support, telle qu'une bague de support (78).
15. Panneau de sol selon la revendication 13, **caractérisé en ce que** la portion de pression (15) est constituée au moins, lorsqu'on la regarde dans une vue en coupe transversale, d'une branche qui vient se disposer en position adjacente au côté arrière du corps de blocage (14), ladite branche, à l'état libre, s'étendant en inclinaison par rapport au corps de blocage (14), à partir d'un endroit situé entre les deux extrémités du corps de blocage (14) et en formant un angle inférieur à 70 degrés avec la portion du corps de blocage (14) qui s'étend à partir dudit endroit jusqu'à la portion de verrouillage (17).
16. Panneau de sol selon l'une quelconque des revendications précédentes, **caractérisé en ce que** l'insert est constitué par une bande de matière synthétique.
17. Panneau de sol selon l'une quelconque des revendications précédentes, **caractérisé en ce que** l'élément de verrouillage (12) est constitué par une bande qui est fixée dans un évidement (13) dans le panneau de sol (1) et **en ce que**, en l'occurrence, des systèmes de fixation sont présents qui retiennent la bande dans l'évidement (13).
18. Panneau de sol selon la revendication 17, **caractérisé en ce que** la bande vient se mettre en place dans l'évidement (13) via un encliquetage.
19. Panneau de sol selon l'une quelconque des revendications 16 à 18, **caractérisé en ce que** l'élément de verrouillage (12) est constitué par une bande de matière synthétique coextrudée comprenant, lorsqu'on la regarde dans une vue en coupe transversale, des zones de matière synthétique comportant des caractéristiques différentes, plus particulièrement une flexibilité différente.
20. Panneau de sol selon la revendication 19, **caractérisé en ce que** le corps de blocage (14) est réalisé en une seule pièce avec une partie de matière (79) afférente à l'élément de verrouillage (12), qui permet un mouvement élastique du corps de blocage (14), dans lequel cette partie de matière est constituée par une matière qui comme telle, est plus flexible et pliable que la matière formant à titre principal le corps de blocage (14) ; **en ce que** ladite partie de matière est réalisée sous la forme d'une partie faisant office d'articulation locale ; et **en ce que** ladite partie de matière forme une liaison entre le corps de blocage (14) et une portion de fixation (50), le corps de blocage (14) et la portion de fixation (50) étant constitués par une matière qui est moins flexible que la partie de matière susmentionnée.

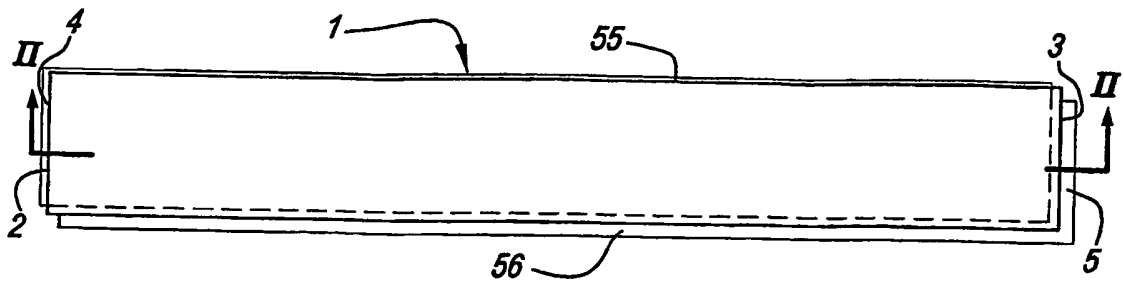


Fig. 1

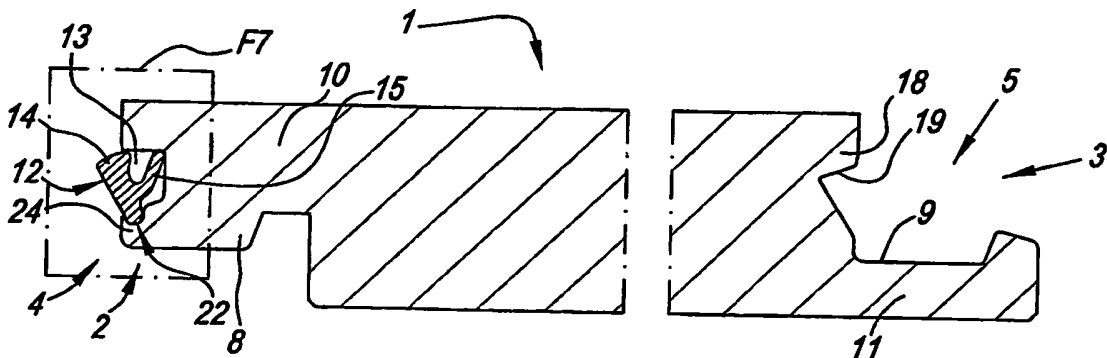


Fig. 2

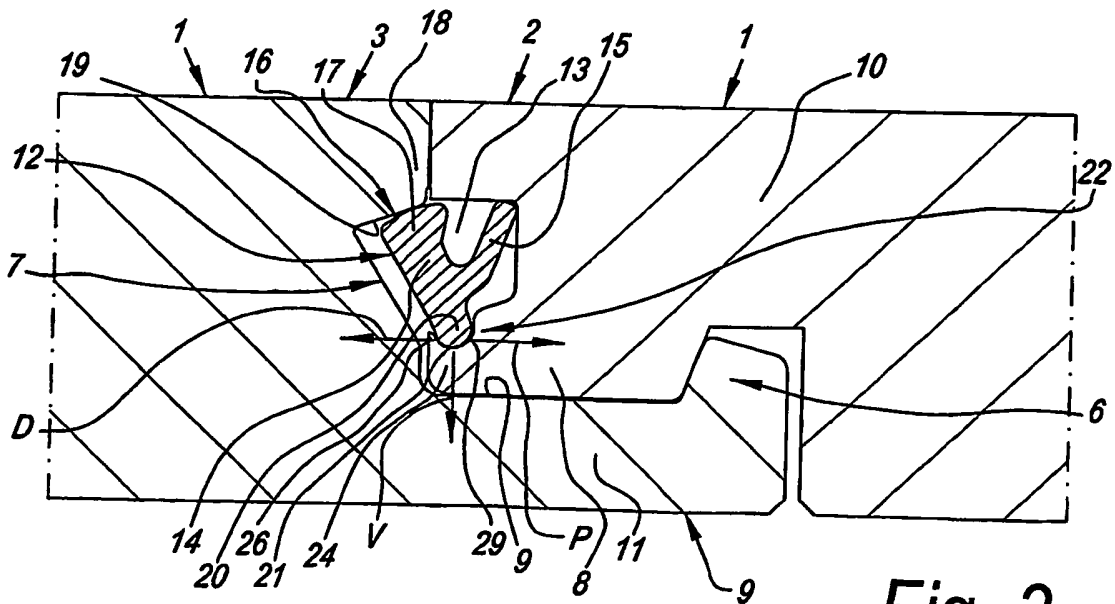


Fig. 3

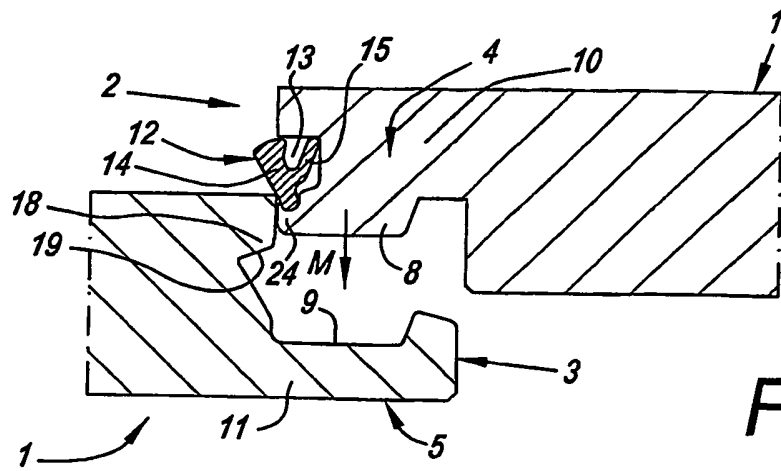


Fig. 4

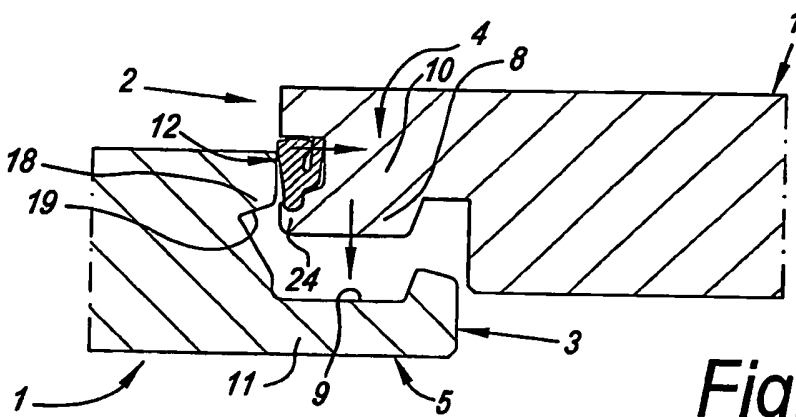


Fig. 5

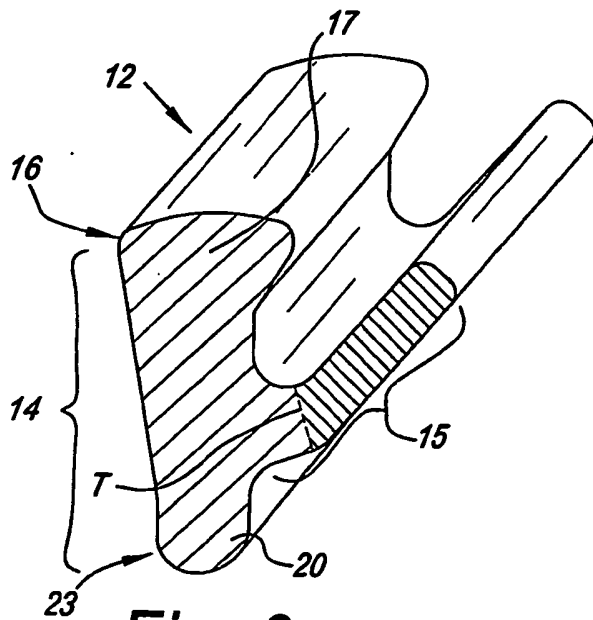


Fig. 6

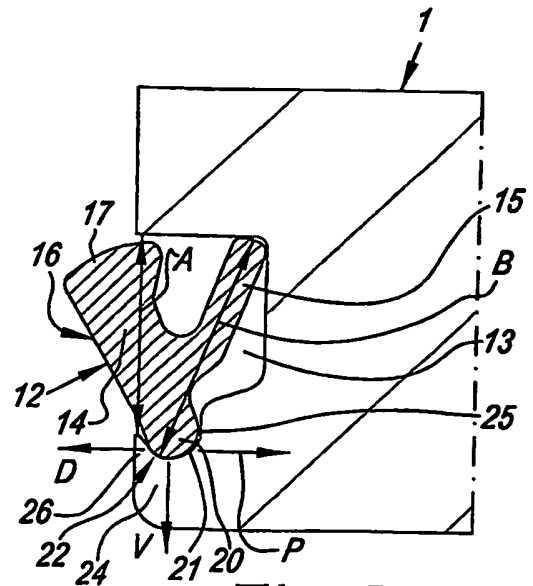


Fig. 7

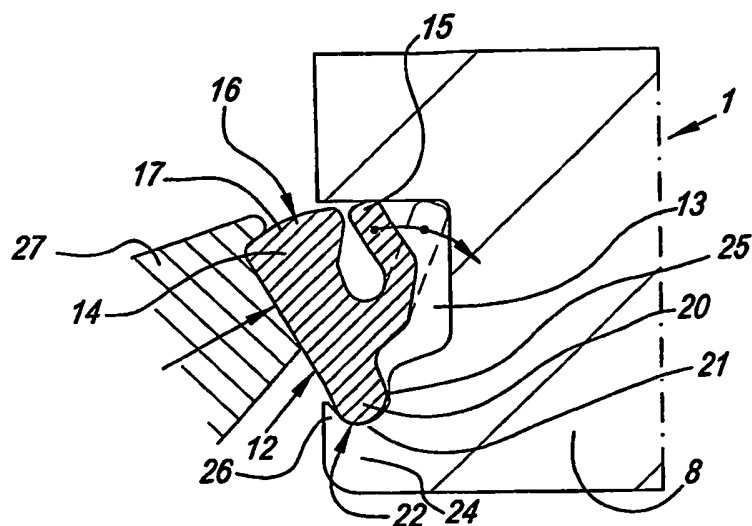


Fig. 8

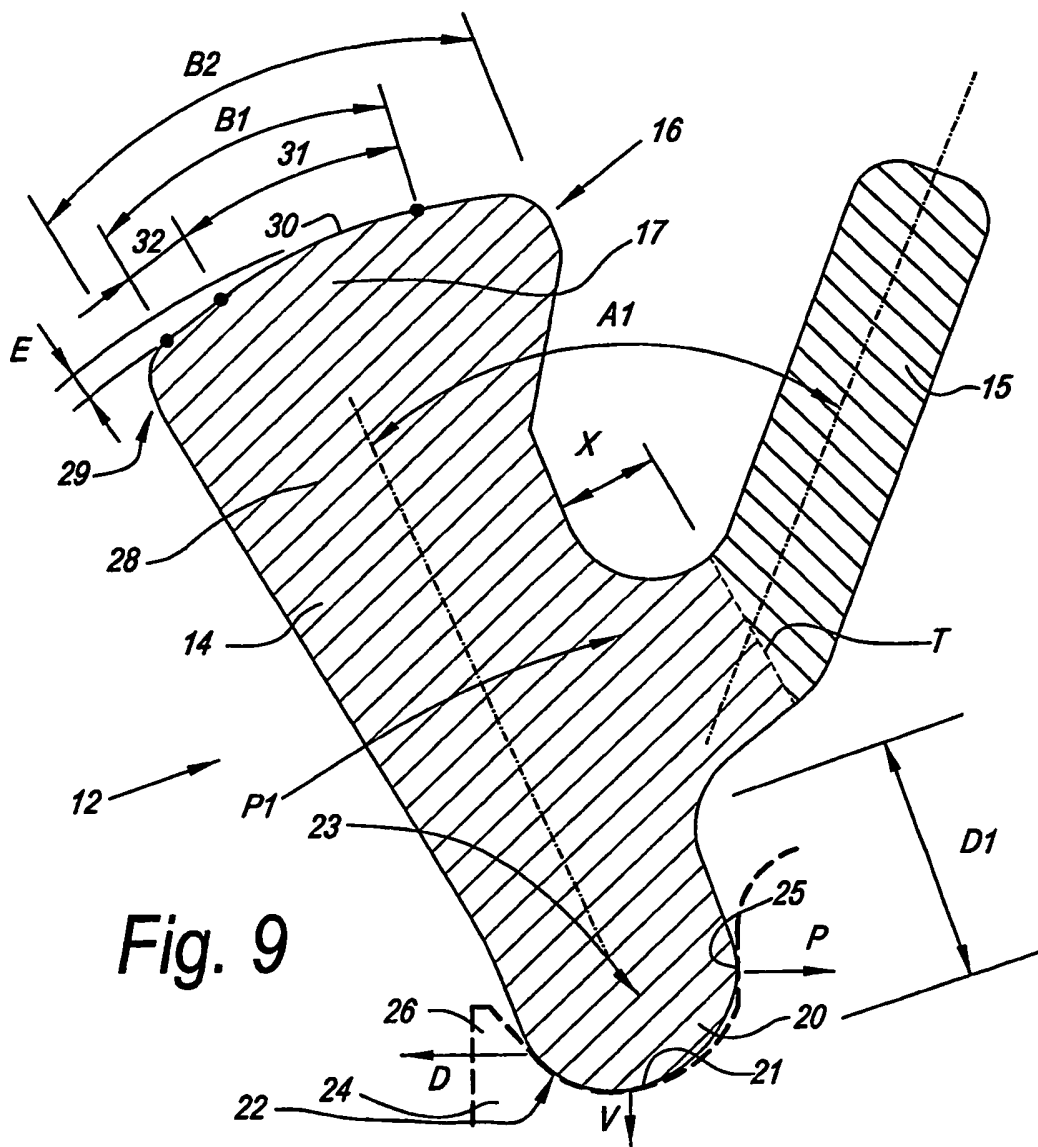


Fig. 9

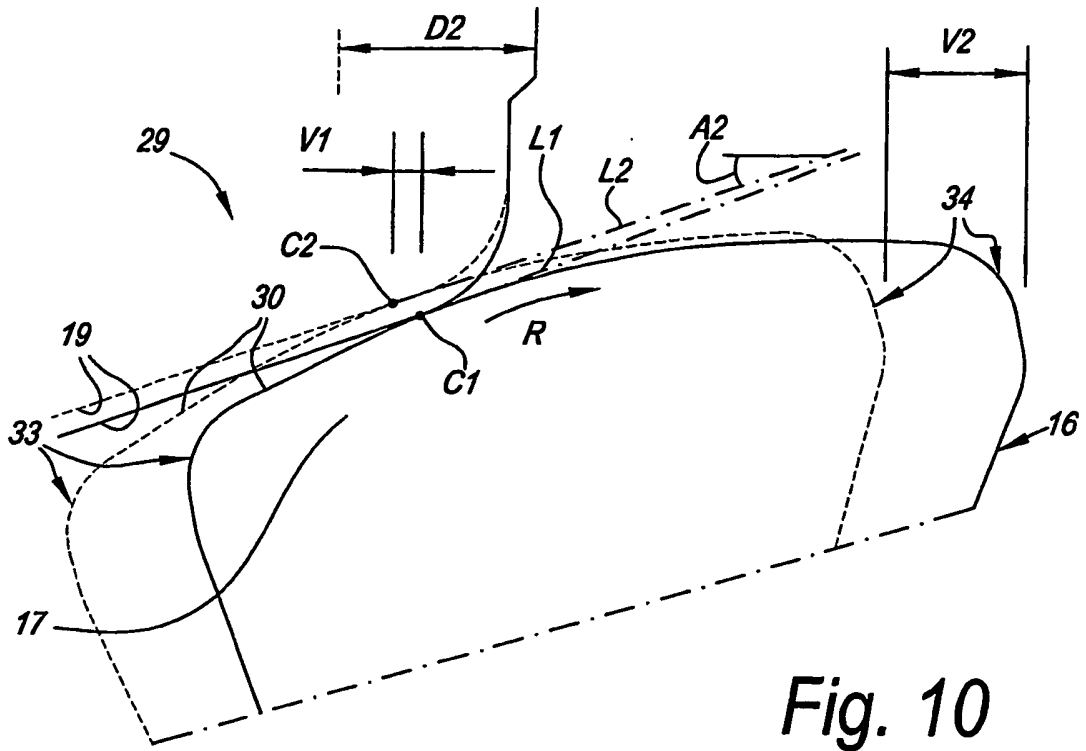


Fig. 10

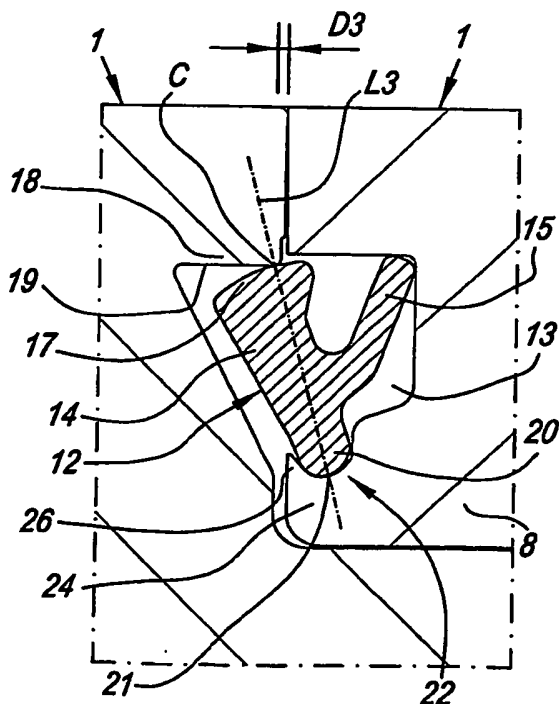


Fig. 11

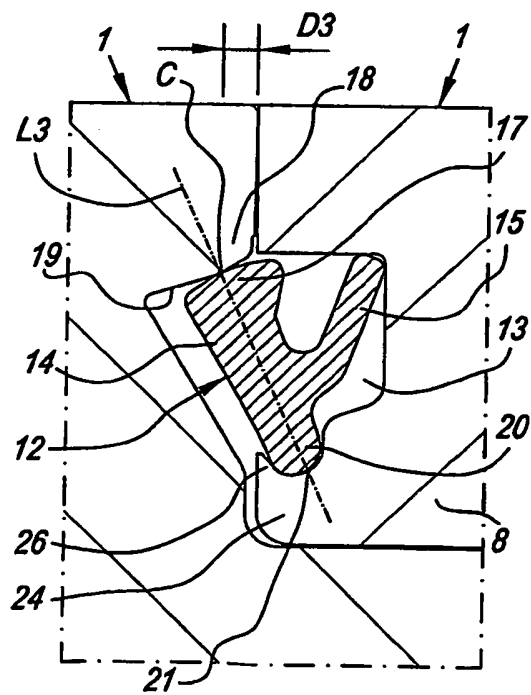


Fig. 12

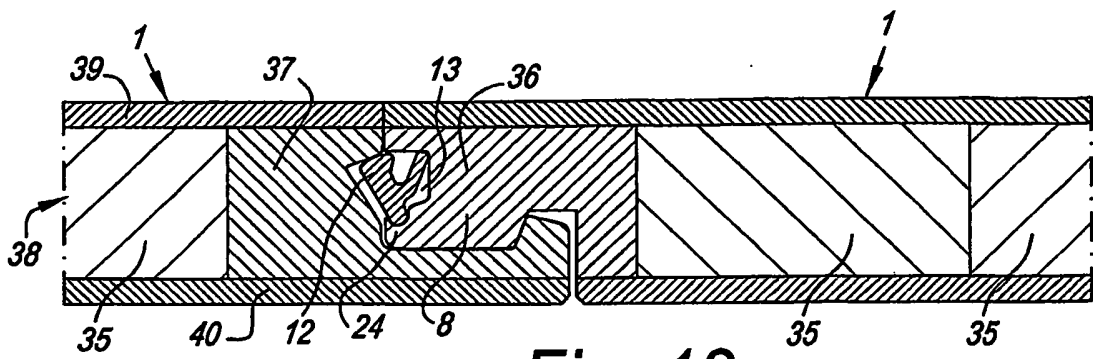


Fig. 13

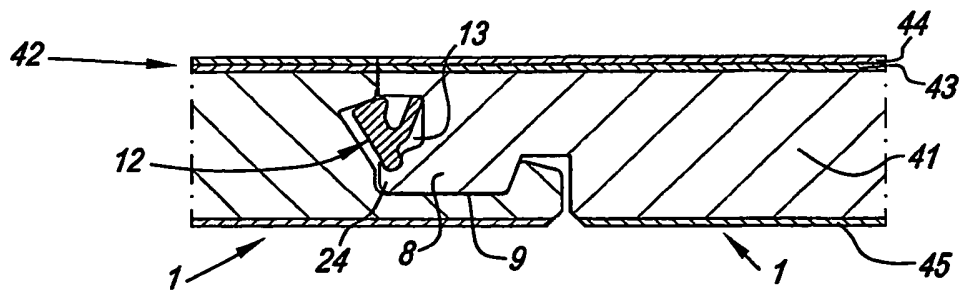


Fig. 14

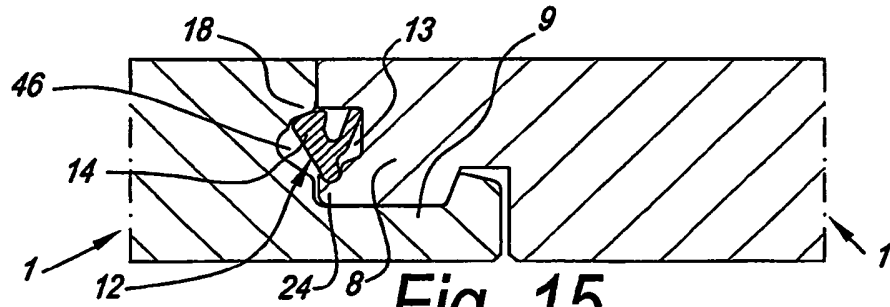


Fig. 15

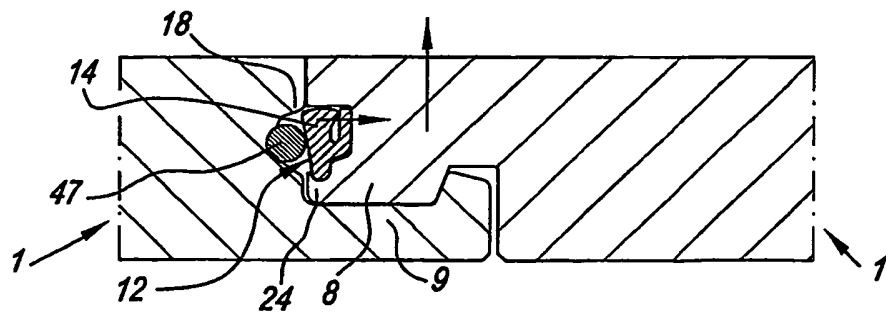


Fig. 16

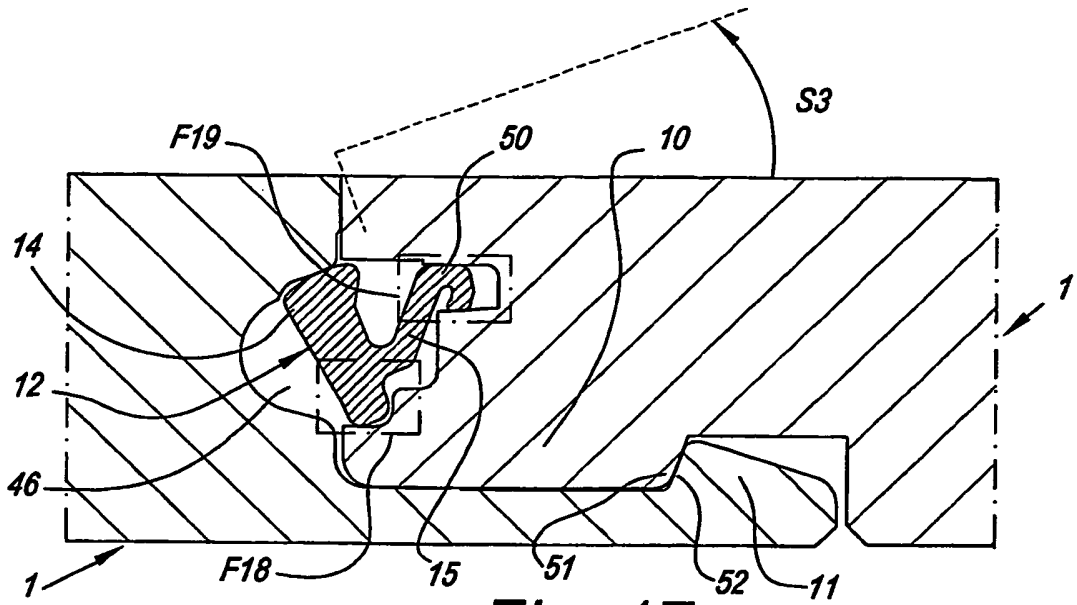


Fig. 17

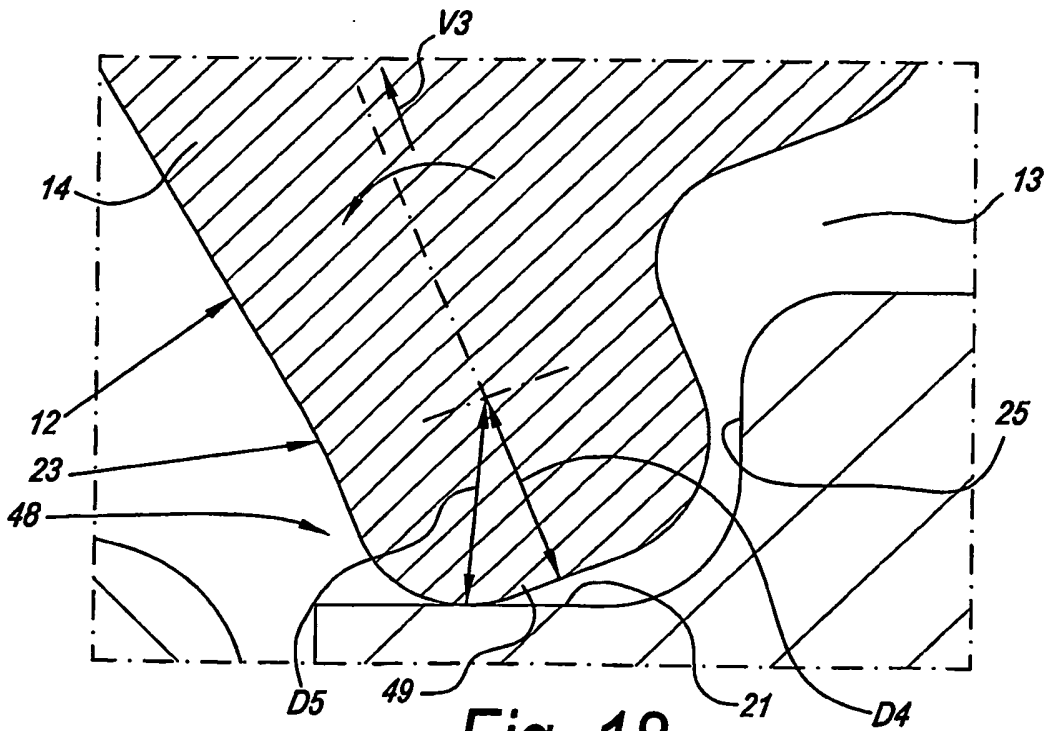


Fig. 18

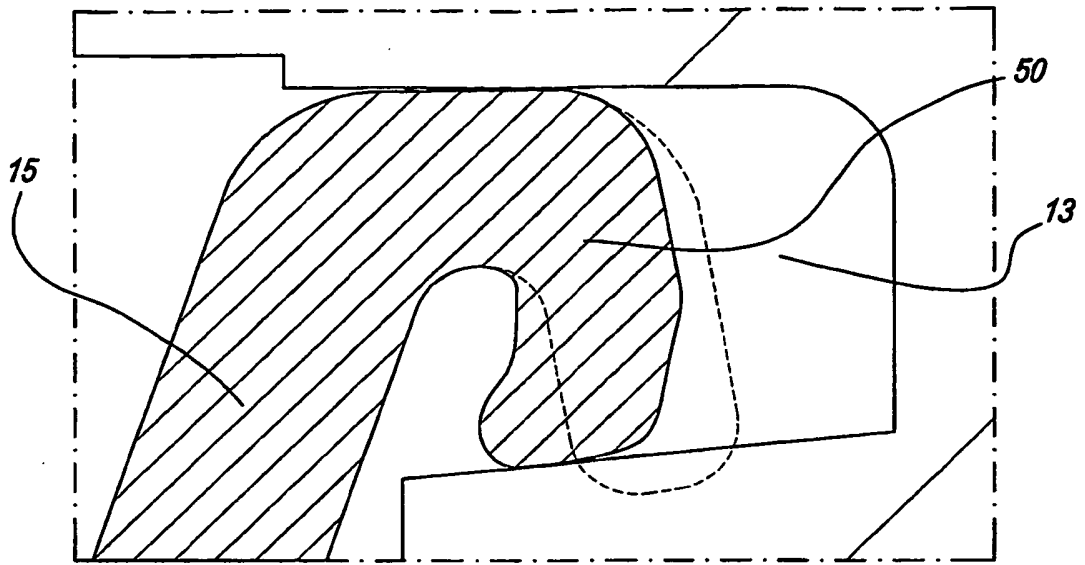


Fig. 19

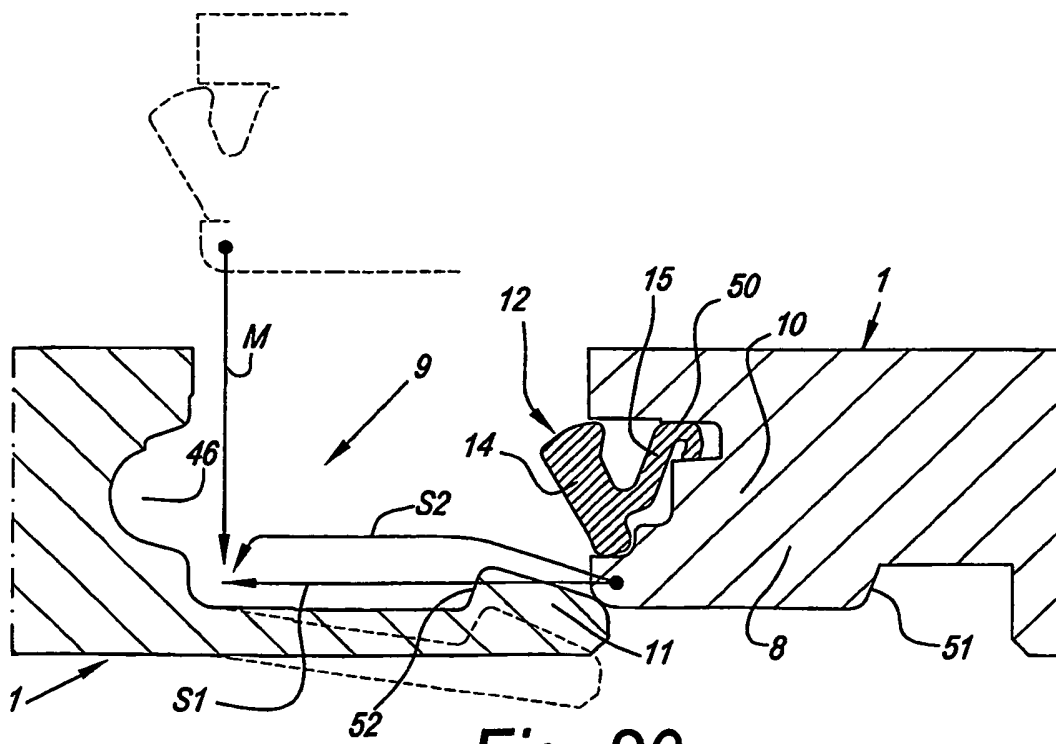
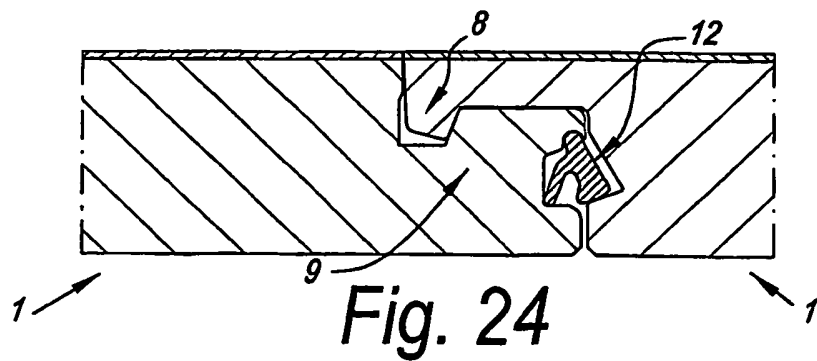
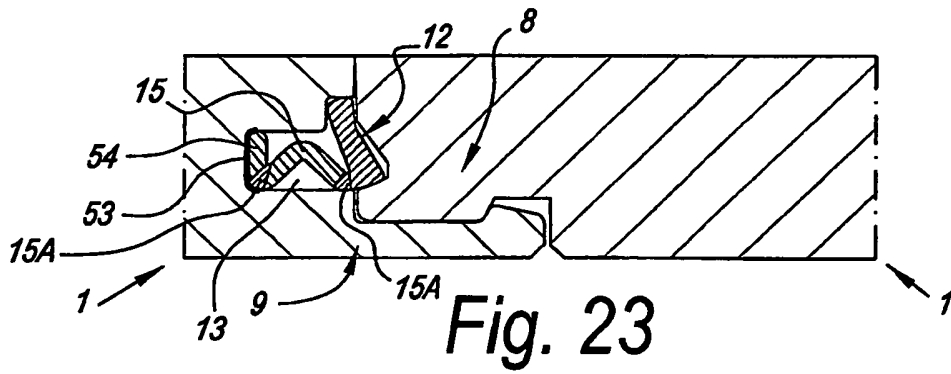
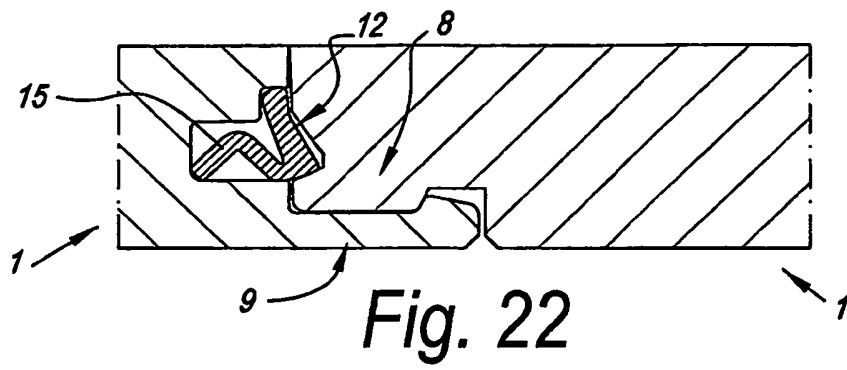
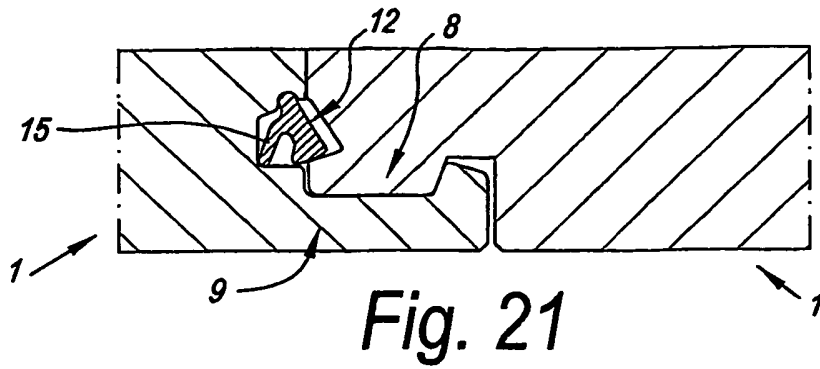


Fig. 20



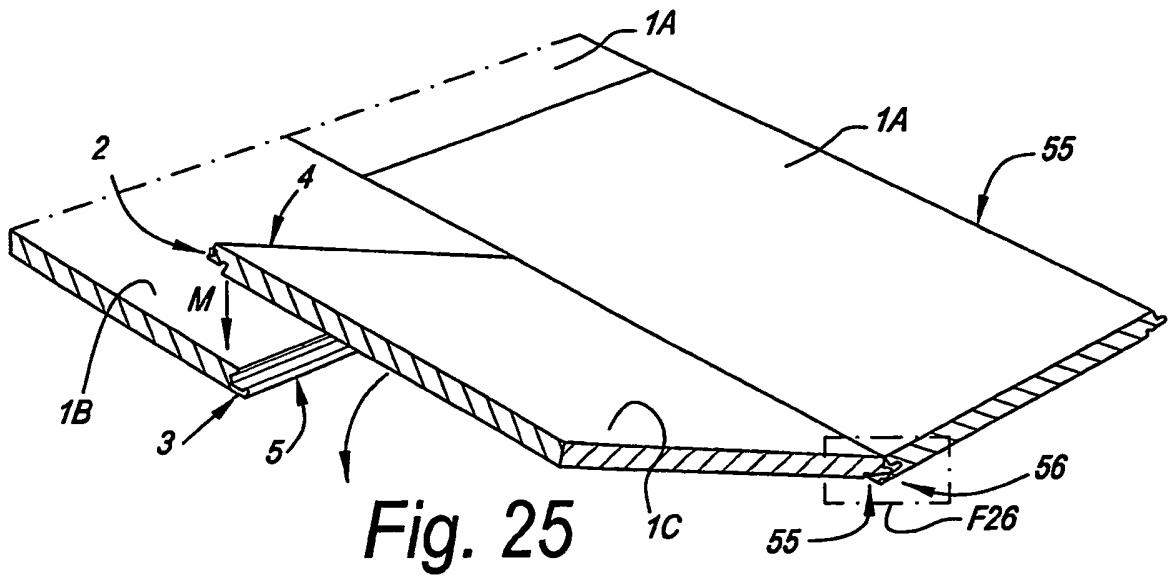


Fig. 25

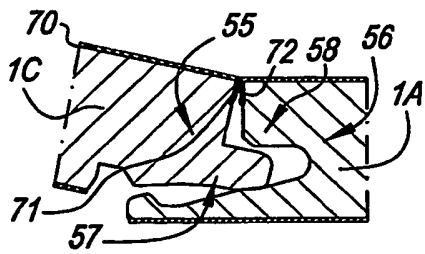


Fig. 26

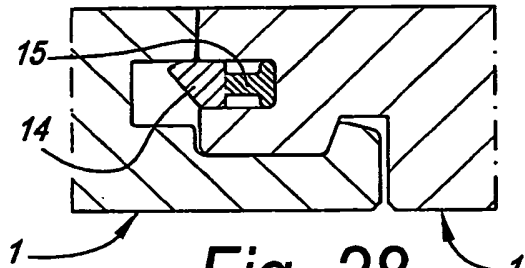


Fig. 28

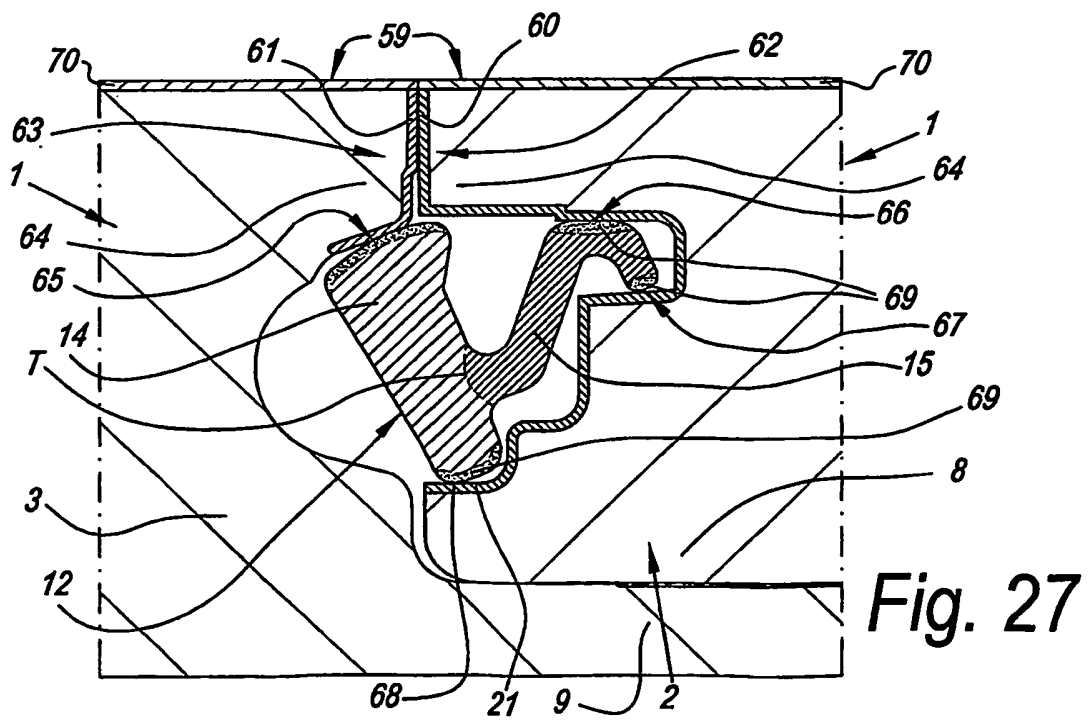


Fig. 27

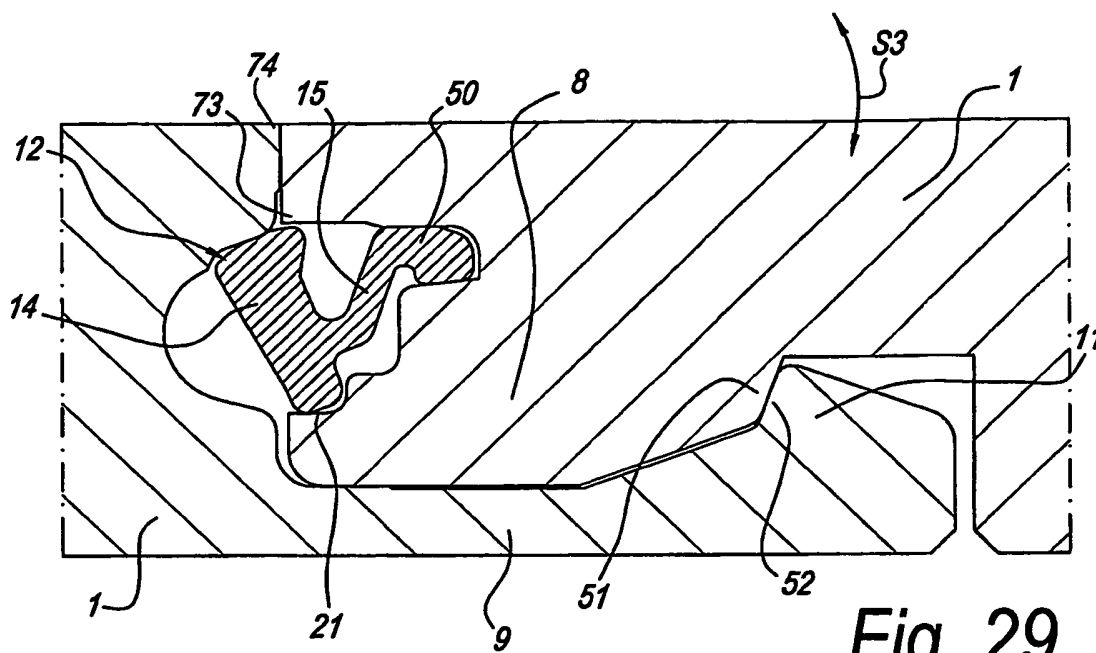


Fig. 29

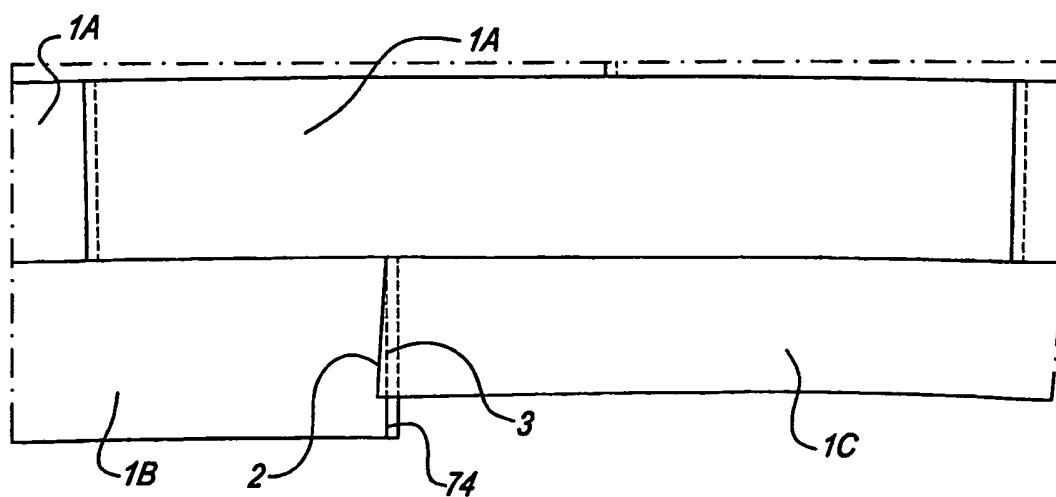


Fig. 31

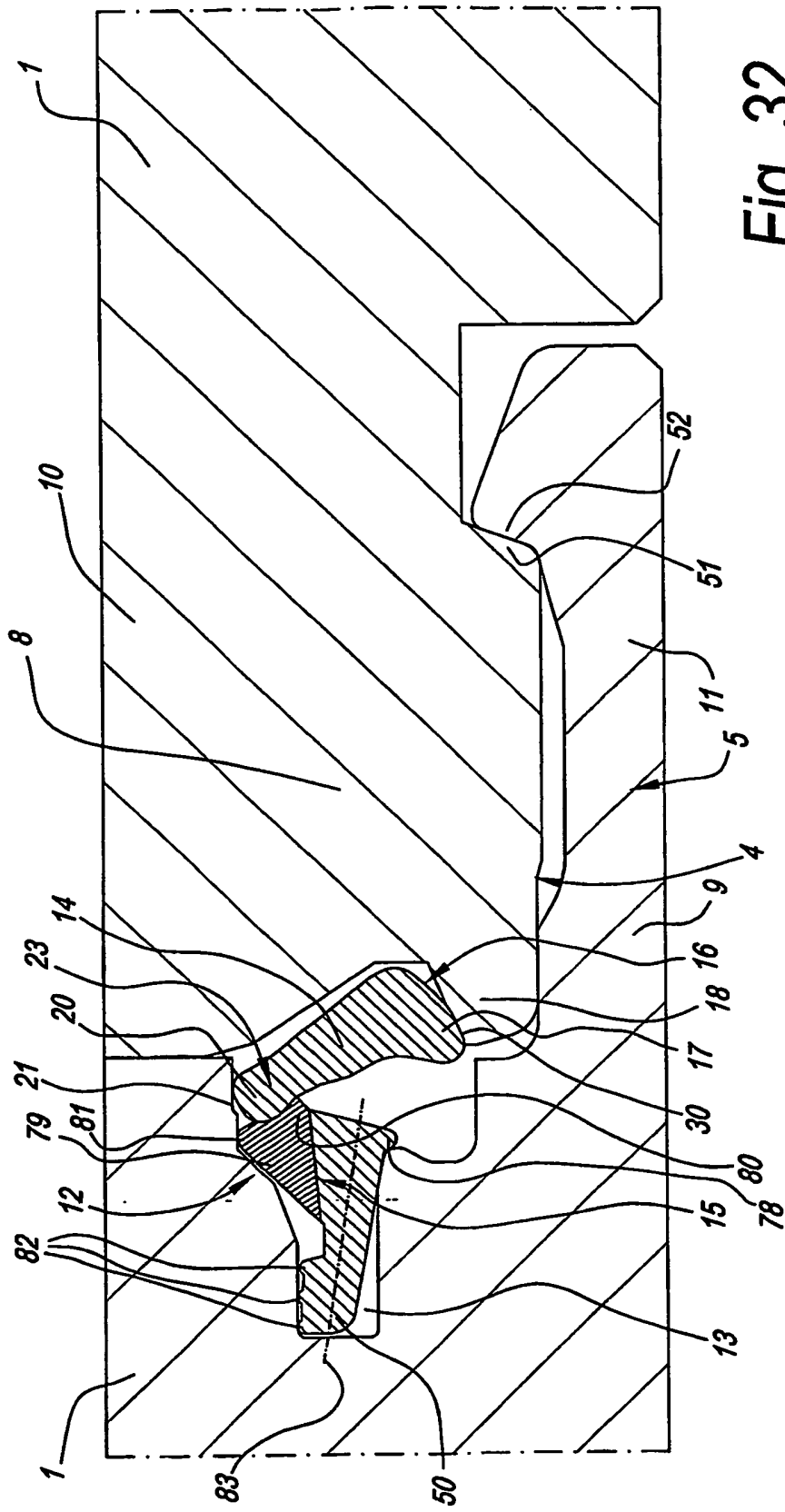


Fig. 32

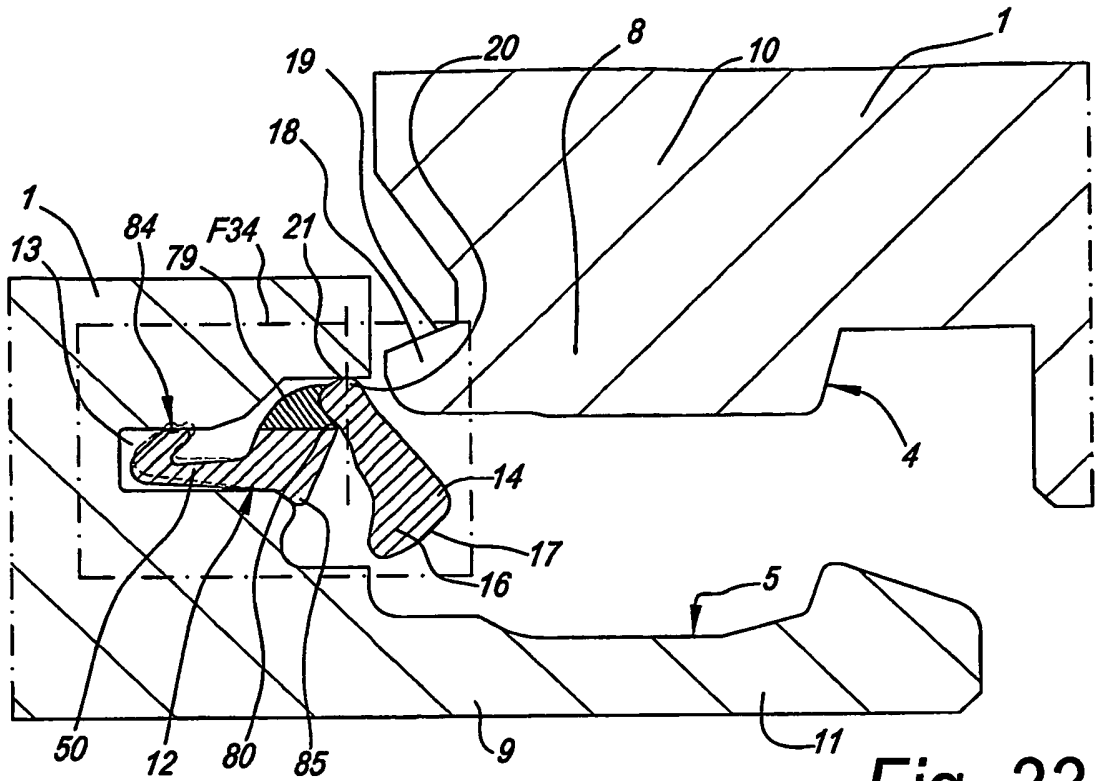


Fig. 33

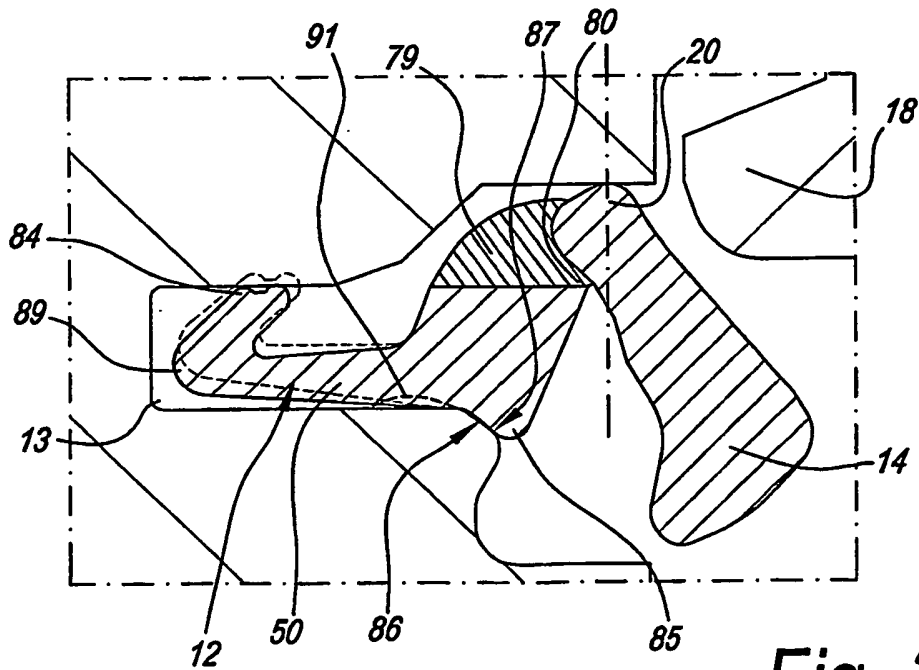


Fig. 34

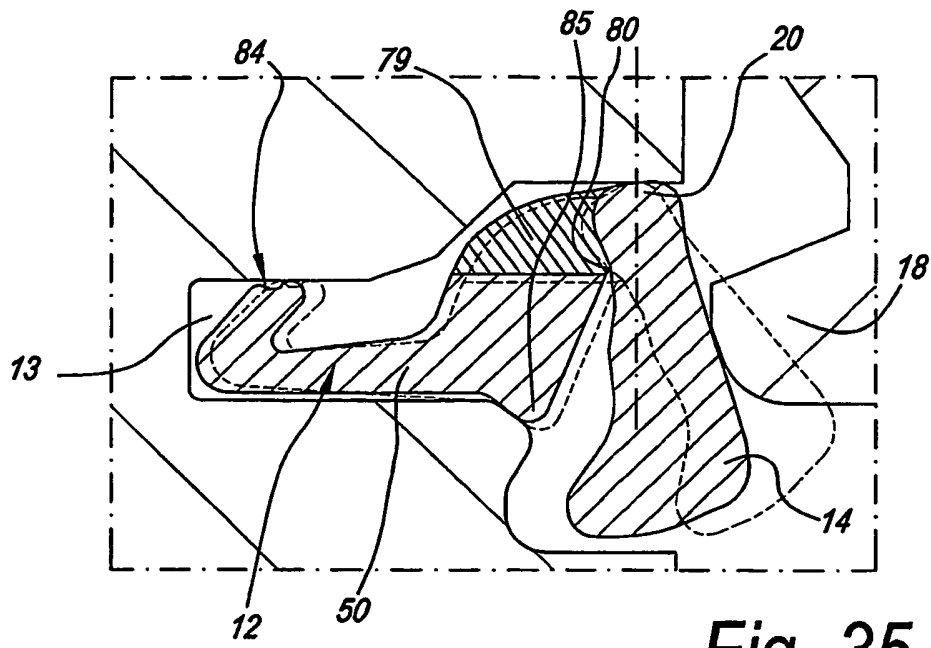


Fig. 35

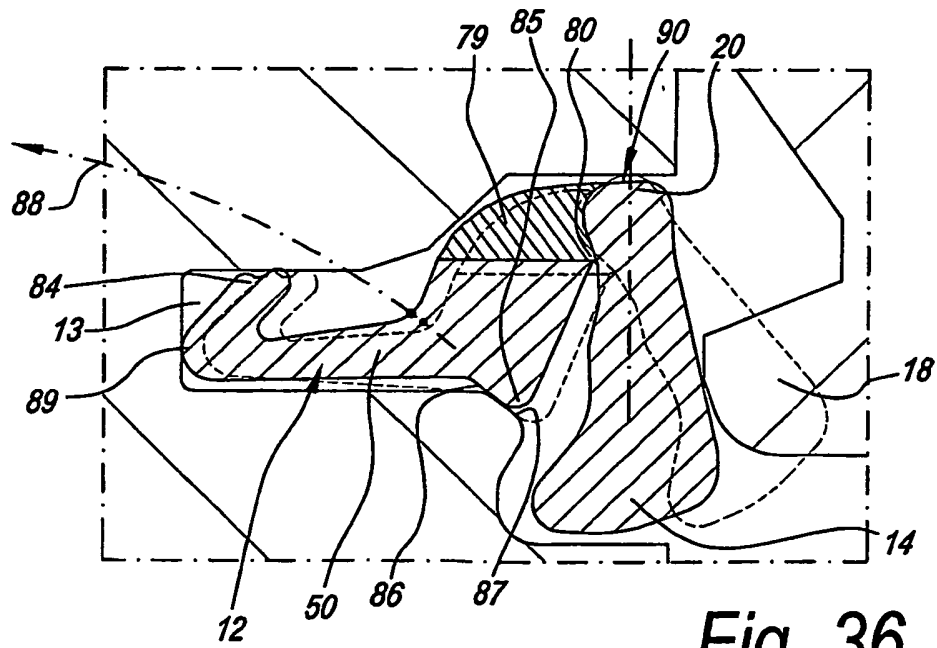


Fig. 36

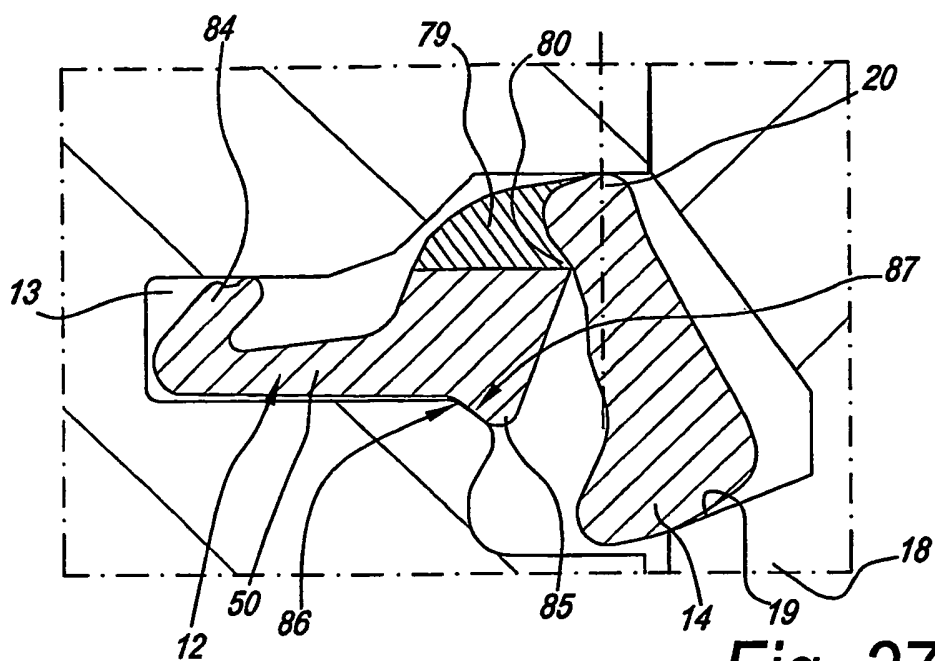


Fig. 37

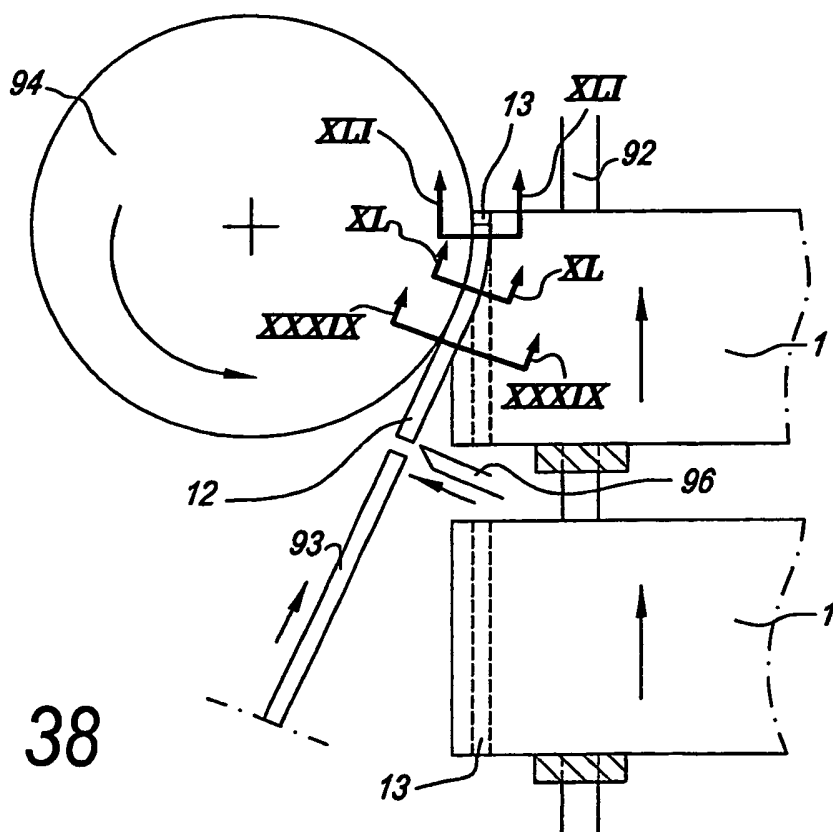


Fig. 38

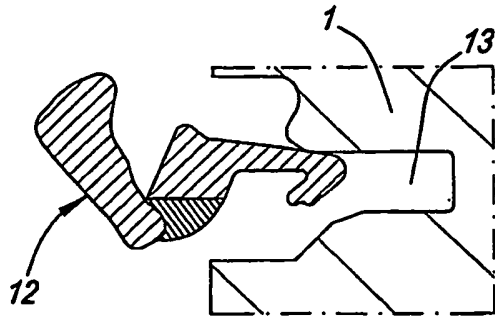


Fig. 39

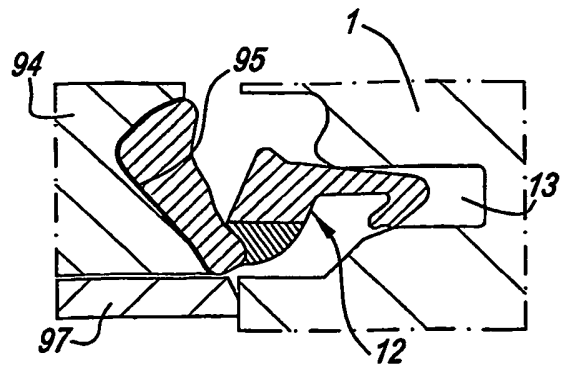


Fig. 40

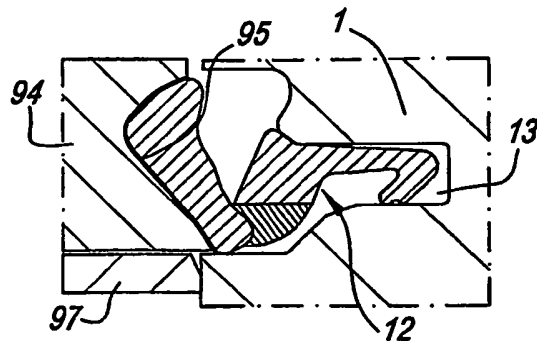


Fig. 41

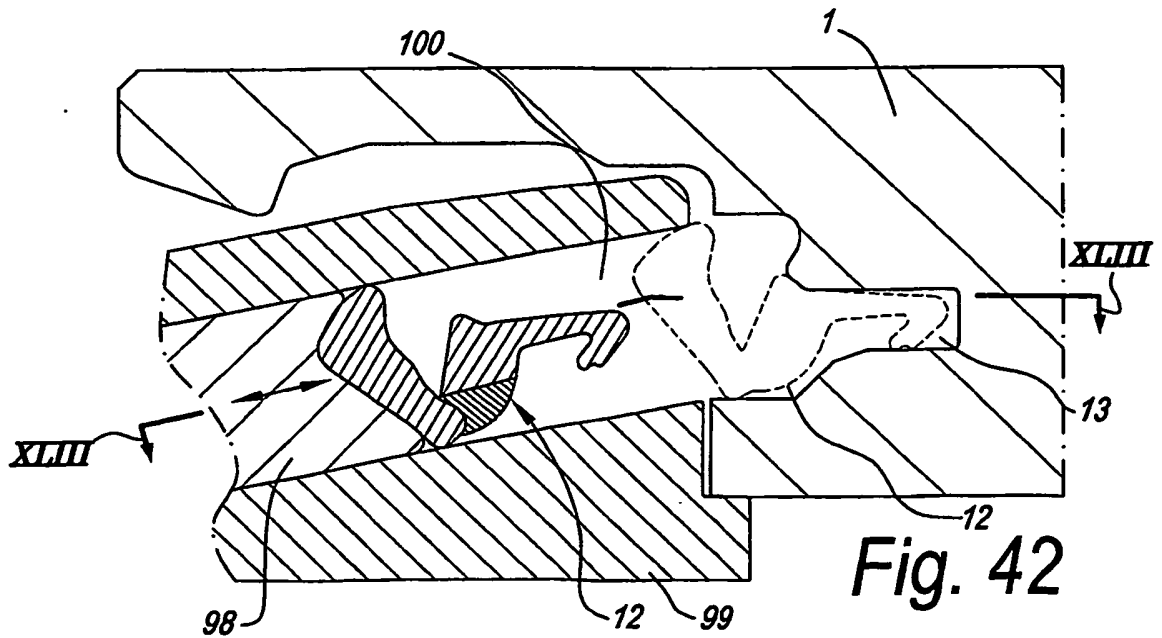


Fig. 42

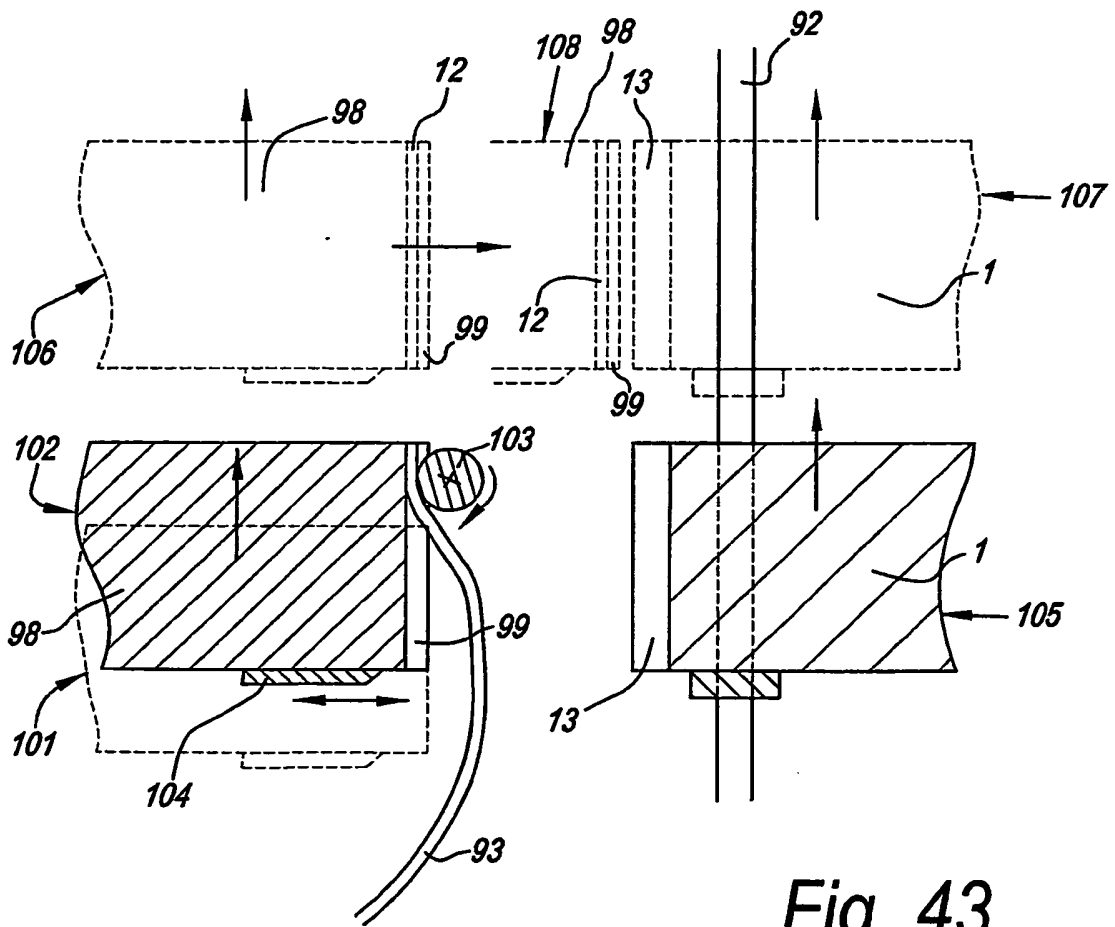


Fig. 43

REFERENCES CITED IN THE DESCRIPTION

This list of references cited by the applicant is for the reader's convenience only. It does not form part of the European patent document. Even though great care has been taken in compiling the references, errors or omissions cannot be excluded and the EPO disclaims all liability in this regard.

Patent documents cited in the description

- CA 991373 [0004]
- JP 7300979 A [0004]
- DE 29924454 [0007]
- DE 20008708 [0007]
- DE 20112474 [0007]
- DE 102004001363 [0007]
- DE 102004055951 [0007]
- EP 1282752 A [0007]
- EP 1350904 A [0007]
- DE 202007000310 [0008]
- DE 10200401363 [0008]
- DE 102005002297 [0008]
- EP 1159497 A [0008]
- EP 1415056 B1 [0008] [0011] [0015] [0018]
- EP 1818478 A [0008]
- WO 2004079130 A [0008]
- WO 2005054599 A [0008]
- WO 2006043893 A [0008]
- WO 2006104436 A [0008]
- WO 2007008139 A [0008] [0139]
- WO 2007079845 A [0008]
- WO 2007089186 A [0008]
- SE 515324 [0008]
- EP 2034106 A1 [0012]
- WO 9747834 A [0034] [0094] [0113]
- WO 2006032398 A [0114]
- US 20070006543 A [0139]

714996/DO

PADLÓLAP

SZABADALMI IGÉNYPONTOK

1. Padlólap, amely legalább két szemközti oldalánál (2-3) magában foglal csatlakoztatódarabokat (4-5), amikkel két ilyen padlólapot (1) egymáshoz lehet csatlakoztatni; ahol ezen csatlakoztatódarabok (4-5) vízszintesen működő reteszelőrendszert (6) és függőlegesen működő reteszelőrendszert (7) képeznek; ahol a vízszintesen működő reteszelőrendszernek (6) egy dugós darabja (8) és egy üreges darabja (9) van, amik lehetővé teszik két ilyen padlólap (1) egymáshoz kapcsolását a nevezett oldalaknál (2-3), azáltal hogy a padlólapok (1) egyike a hozzá tartozó dugós darabnál (8) fogva lefelé mozgatással (M) be van helyezve a másik padlólap (1) üreges darabjába (9); ahol a függőlegesen működő reteszelőrendszer (7) magában foglal egy reteszelőelemet (12), amit a két vonatkozó oldal (2-3) egyikébe behelyezett betét testesít meg; ahol ezen reteszelőelem (12) magában foglal legalább egy elfordítható zárótestet (14); és ahol a zárótest (14) az egyik végrészén ütközőt képező reteszelőrészt (17) képez, ami együtt tud működni egy hasonló csatlakoztatott padlólap (1) reteszelőrészével (18); **azzal jellemezve**, hogy az elfordítható zárótest (14) a reteszelőrészt (17) képező végrészével átellenben magában foglal egy támasztórészt (20), amely körül az elfordítható zárótest (14) elforgatható, és amely arra van tervezve, hogy két ilyen padlólap (1) csatlakoztatott állapotában felvegye az erőket, amikor a csatlakoztatott padlólapok (1) felfelé irányban megpróbálnak eltávolodni egymástól; és hogy önmagában a zárótest (14) a reteszelőrész (17) és a támasztórész (20) között csuklózási részekről és hajlítási szakaszokról mentes.

2. Az 1. igénypont szerinti padlólap, **azzal jellemezve**, hogy a támasztórész (20) a helyi elfordítási zónánál nekiforgatható a vonatkozó padlólaphoz tartozó támasztófelületnek (21), és konkrétan elforgatható egy fészekben (22).

3. Az 1. vagy 2. igénypont szerinti padlólap, **azzal jellemezve**, hogy az elfordítható zárótest (14) a reteszelőrésszel (17) átellenben magában foglal egy szabad végrész megtestesítette támasztórészt (20), amit a padlólap (1) tartozó támasztórész (24) legalábbis függőleges irányban (V) alakzáróan megtámaszt.

4. Az előző igénypontok bármelyike szerinti padlólap, **azzal jellemezve**, hogy a zárótest (14) elforgatható egy forgáspont, illetve támasztópont körül, és hogy a reteszelőelem (12)

magában foglal egy nekinyomódó részt (15), ami a zárótest külső végrészei közötti helyen kapcsolódik az elfordítható zárótesttel.

5. Az előző igénypontok bármelyike szerinti padlólap, **azzal jellemezve**, hogy a függőlegesen működő reteszelőrendszer (7) magában foglal egy feszítőrendszert (29-48), amit a zárótest (14) szabad végrésznél kialakított bütyökgelület (30) testesít meg, amely bütyökgelület csatlakoztatott állapotban a csatlakoztatott padlólap (1) szemközti reteszelőrésze ellenében ékhatást fejt ki.

6. Az előző igénypontok bármelyike szerinti padlólap, **azzal jellemezve**, hogy a reteszelőelem (12) a dugós darabnál (8) van elhelyezve.

7. Az előző igénypontok bármelyike szerinti padlólap, **azzal jellemezve**, hogy az elfordítható zárótest (14) a reteszelőrészt (17) képező végrészával átellenben magában foglal egy szabad végrész megtestesítette támasztórészt (20), és ez a támasztórész (20) a két padlólap (1) csatlakoztatott állapotában mind függőleges irányban, mind a padlólap (1) közelítő irányban meg van támasztva.

8. A 7. igénypont szerinti padlólap, **azzal jellemezve**, hogy magában foglal egy ütközőt képező darabot (26), ami a támasztórész (20) számára a padlólap (1) távolító irányban akadályt képez.

9. Az előző igénypontok bármelyike szerinti padlólap, **azzal jellemezve**, hogy a zárótest (14) merev testként van kialakítva.

10. Az előző igénypontok bármelyike szerinti padlólap, **azzal jellemezve**, hogy az elfordítható zárótest (14) annak a végrésznél szomszédságában, amely mentén a zárótest elforgatható, magában foglal egy feszítőrendszert (48).

11. A 10. igénypont szerinti padlólap, **azzal jellemezve**, hogy a feszítőrendszer (48) a nevezett végrésznél megvalósított bütyökből áll, amely bütyök a zárótestet (14) a reteszelőrészt (17) irányába eső tengelyirányú eltolásnak is aláveti, amikor a zárótest (14) kifelé el van forgatva.

12. Az előző igénypontok bármelyike szerinti padlólap, **azzal jellemezve**, hogy a reteszelőelem (12) egy üregben (13) van elhelyezve, és hogy szabad, nem csatlakoztatott állapotban a reteszelőrésznél (17) legalábbis részben még az üregben (13) helyezkedik el.

13. Az előző igénypontok bármelyike szerinti padlólap, **azzal jellemezve**, hogy egy, a zárótestre (14) oldalirányban ható nekinyomódó részt (16) foglal magába.

14. A 4. vagy 13. igénypont szerinti padlólap, **azzal jellemezve**, hogy a nekinyomódó rész (15) a következő jellemzők közül eggyel vagy többel rendelkezik:

hogy rugalmas anyagból van;

hogy olyan rugalmas anyagból van, amely mint anyag rugalmasabb a zárótest (14) anyagánál, és a zárótesttel (14) egy darabban van előállítva, előnyös módon koextrudálással;

hogy egy hajtogatható vagy hajlítható részből áll;

hogy el van látva egy fixálórészsel (50);

hogy el van látva egy beszorított darab megtestesítette fixálórészsel (50);

hogy el van látva egy résszel, amivel a padlólap (1) van ragasztva;

hogy keresztmetszetben nézve rugalmasan hajlítható lábból áll;

hogy el van látva egy vagy több rugalmas hajlítási zónával, amely összekapcsolást képez vagy az adott nekinyomódó rész (15) és a zárótest (14) között, vagy a nekinyomódó rész (15) különböző részei között;

hogy a nekinyomódó rész (15) keresztmetszetben nézve elfordulókarként van kialakítva, ami az egyik végrésze szomszédságában meg van támasztva vagy tartva van, az átellenes végrésznél pedig egy csuklózási és/vagy hajlítási zónán (76) keresztül a zárótest (14) hátsó oldalához csatlakozik;

hogy a nevezett elfordulókar mindkét végrésznél egy csuklózási és/vagy hajlítási zónát (76-77) foglal magába;

hogy a nekinyomódó rész (15) olyan mechanizmusként van megvalósítva, amely biztosítja, hogy amikor a zárótest össze van nyomva, akkor a zárótest az egyik végrészevel egy támasztófelületnek (21) legyen nekihelyezve;

hogy a nevezett mechanizmus olyan elfordulókarból áll, ami egyfelől a zárótest hátsó oldalához van kapcsolva, másfelől egy támasztórészsel, például támasztóperemmel (78) meg van támasztva.

15. A 13. igénypont szerinti padlólap, **azzal jellemezve**, hogy a nekinyomódó rész (15) keresztmetszetben nézve legalább egy lábból áll, amely láb a zárótest (14) hátsó oldalához csatlakozik, és amely láb szabad állapotban a zárótesthez (14) képest ferdén helyezkedik el, és pedig a zárótest (14) két végrésze közötti helytől kiindulva és a zárótestnek (14) a nevezett helytől a reteszelőrésszig (17) terjedő részével 70 foknál kisebb szöget bezárva.

16. Az előző igénypontok bármelyike szerinti padlólap, **azzal jellemezve**, hogy a betét műanyag csikból van.

17. Az előző igénypontok bármelyike szerinti padlólap, **azzal jellemezve**, hogy a reteszelőelem (12) csikból van, amely a padlólapban (1) lévő üregben (13) van rögzítve, és hogy ezáltal fixálóintézkedések vannak alkalmazva, amik a csíkot az üregben (13) tartják.

18. A 17. igénypont szerinti padlólap, **azzal jellemezve**, hogy a csík bepattanó illesztéssel van az üregbe (13) behelyezve.

19. A 16–18. igénypont bármelyike szerinti padlólap, **azzal jellemezve**, hogy a reteszelőelem (12) koextrudált műanyag csikból van, aminek keresztmetszetben nézve eltérő tulajdonságokkal, konkrétan eltérő rugalmassággal rendelkező műanyagból lévő zónái vannak.

20. A 19. igénypont szerinti padlólap, **azzal jellemezve**, hogy a zárótest (14) egy anyagdarabbal (79) egy darabban van előállítva, amely a reteszelőelemhez (12) tartozik, ami lehetővé teszi a zárótest (14) rugalmas mozgását, ahol ezen anyagdarab olyan anyagból van, amely mint anyag rugalmasabb és hajlíthatóbb, mint az az anyag, amelyből a zárótest (14) alapvetően ki van alakítva; hogy az anyagdarab helyi csuklózási darabként van megvalósítva; és hogy az anyagdarab a zárótest (14) és egy fixálórész (50) között összekapcsolást képez, és a zárótest (14) és a fixálórész (50) az említett anyagdarabnál kevésbé rugalmas anyagból van.

A meghatalmazott:

Magyarországi Szociális Munka Minisztérium
Köznevelési Főosztály
Szociális Szakmai Képzési Igazgatósági Iroda
1051 Budapest, Széchenyi utca 112.
Tel.: +36 1 479 1000
E-mail: szoci@mmk.gov.hu

