

(19) World Intellectual Property Organization
International Bureau



(43) International Publication Date
5 April 2007 (05.04.2007)

PCT

(10) International Publication Number
WO 2007/038235 A3

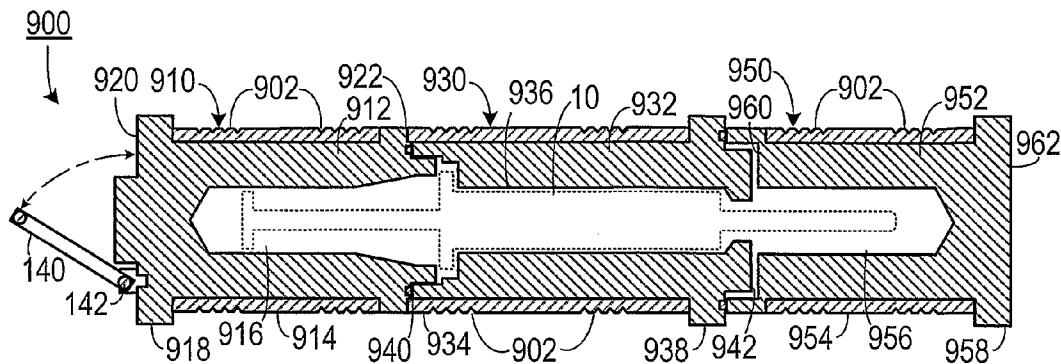
- (51) International Patent Classification:
G21F 5/00 (2006.01)
- (21) International Application Number:
PCT/US2006/036914
- (22) International Filing Date:
22 September 2006 (22.09.2006)
- (25) Filing Language: English
- (26) Publication Language: English
- (30) Priority Data:
11/234,403 23 September 2005 (23.09.2005) US
- (71) Applicant (for all designated States except US): UNITED PHARMACY PARTNERS, INC. [US/US]; 5400 Laurel Springs Parkway, suite 405, Suwanee, GA 30024 (US).
- (72) Inventors; and
- (75) Inventors/Applicants (for US only): POLSINELLI, Perry [US/US]; 4150 Waterford Drive, Suwanee, GA 30024 (US). D'ALONZO, Jeff, D. [US/US]; 849 Pathview Court, Dacula, GA 30019 (US). WEST, Steven, B. [US/US]; 12500 East Cherokee Dr., Ball Ground, GA 30107 (US).
- (74) Agent: BOCKHOP, Bryan, W.; 2375 Mossy Branch Dr., Snellville, GA 30078 (US).

- (81) Designated States (unless otherwise indicated, for every kind of national protection available): AE, AG, AL, AM, AT, AU, AZ, BA, BB, BG, BR, BW, BY, BZ, CA, CH, CN, CO, CR, CU, CZ, DE, DK, DM, DZ, EC, EE, EG, ES, FI, GB, GD, GE, GH, GM, HN, HR, HU, ID, IL, IN, IS, JP, KE, KG, KM, KN, KP, KR, KZ, LA, LC, LK, LR, LS, LT, LU, LV, LY, MA, MD, MG, MK, MN, MW, MX, MY, MZ, NA, NG, NI, NO, NZ, OM, PG, PH, PL, PT, RO, RS, RU, SC, SD, SE, SG, SK, SL, SM, SV, SY, TJ, TM, TN, TR, TT, TZ, UA, UG, US, UZ, VC, VN, ZA, ZM, ZW.
- (84) Designated States (unless otherwise indicated, for every kind of regional protection available): ARIPO (BW, GH, GM, KE, LS, MW, MZ, NA, SD, SL, SZ, TZ, UG, ZM, ZW), Eurasian (AM, AZ, BY, KG, KZ, MD, RU, TJ, TM), European (AT, BE, BG, CH, CY, CZ, DE, DK, EE, ES, FI, FR, GB, GR, HU, IE, IS, IT, LT, LU, LV, MC, NL, PL, PT, RO, SE, SI, SK, TR), OAPI (BF, BJ, CF, CG, CI, CM, GA, GN, GQ, GW, ML, MR, NE, SN, TD, TG).

- Published:**
- with international search report
 - before the expiration of the time limit for amending the claims and to be republished in the event of receipt of amendments
- (88) Date of publication of the international search report:
20 September 2007

For two-letter codes and other abbreviations, refer to the "Guidance Notes on Codes and Abbreviations" appearing at the beginning of each regular issue of the PCT Gazette.

(54) Title: THREE SECTION PIG FOR RADIO-PHARMACEUTICALS



(57) Abstract: A radio-pharmaceutical pig (900) for transporting a syringe containing a radio-pharmaceutical includes a first cylindrical member (910) having a first tungsten body (912) defining a first cavity (916) therein. A second cylindrical member (930) has a second tungsten body (932) defining a second cavity (936) therethrough and is capable of engagement with the first cylindrical member (910) so that the first cavity (916) is in substantial alignment with the second cavity (936). A third cylindrical member (950) includes a third tungsten body (952) defining a third cavity (956) and is capable of engagement with the second cylindrical member (930) so that the third cavity (956) is in substantial alignment with the second cavity (936). The first cavity (916), the second cavity (936) and the third cavity (956) are shaped so as to be complimentary in shape of the syringe (10).

WO 2007/038235 A3

INTERNATIONAL SEARCH REPORT

International application No.

PCT/US06/36914

A. CLASSIFICATION OF SUBJECT MATTER
 IPC: **G21F 5/00(2006.01)**

USPC: 250/506.1,507.1,515.1
 According to International Patent Classification (IPC) or to both national classification and IPC

B. FIELDS SEARCHED

Minimum documentation searched (classification system followed by classification symbols)
 U.S. : 250/506.1, 507.1, 515.1

Documentation searched other than minimum documentation to the extent that such documents are included in the fields searched

Electronic data base consulted during the international search (name of data base and, where practicable, search terms used)

C. DOCUMENTS CONSIDERED TO BE RELEVANT

Category *	Citation of document, with indication, where appropriate, of the relevant passages	Relevant to claim No.
X --- A	US 6,614,040 B1 (ZENS) 02 September 2003 (02.09.1978), columns 8-9 and figure 7.	11 ----- 1-10

Further documents are listed in the continuation of Box C. See patent family annex.

<p>* Special categories of cited documents:</p> <p>"A" document defining the general state of the art which is not considered to be of particular relevance</p> <p>"E" earlier application or patent published on or after the international filing date</p> <p>"L" document which may throw doubts on priority claim(s) or which is cited to establish the publication date of another citation or other special reason (as specified)</p> <p>"O" document referring to an oral disclosure, use, exhibition or other means</p> <p>"P" document published prior to the international filing date but later than the priority date claimed</p>	<p>"T" later document published after the international filing date or priority date and not in conflict with the application but cited to understand the principle or theory underlying the invention</p> <p>"X" document of particular relevance; the claimed invention cannot be considered novel or cannot be considered to involve an inventive step when the document is taken alone</p> <p>"Y" document of particular relevance; the claimed invention cannot be considered to involve an inventive step when the document is combined with one or more other such documents, such combination being obvious to a person skilled in the art</p> <p>"&" document member of the same patent family</p>
---	---

Date of the actual completion of the international search 09 July 2007 (09.07.2007)	Date of mailing of the international search report 31 JUL 2007
--	--

Name and mailing address of the ISA/US Mail Stop PCT, Attn: ISA/US Commissioner for Patents P.O. Box 1450 Alexandria, Virginia 22313-1450 Facsimile No. (571) 273-3201	Authorized officer David A. Vanore <i>David A. Vanore</i> Telephone No. 571-272-2483
---	--