



(51) International Patent Classification:

F41A 27/08 (2006.01) F41C 33/02 (2006.01)
F41A 35/00 (2006.01) F41C 33/04 (2006.01)
F41C 27/00 (2006.01)

(21) International Application Number:

PCT/US2017/023631

(22) International Filing Date:

22 March 2017 (22.03.2017)

(25) Filing Language:

English

(26) Publication Language:

English

(30) Priority Data:

15/077,583 22 March 2016 (22.03.2016) US
62/355,115 27 June 2016 (27.06.2016) US

(71) Applicant: VISTA OUTDOOR OPERATIONS LLC [US/US]; 262 North University Drive, Farmington, UT 84025 (US).

(72) Inventors: LANCE, Troy, E.; 629 North Main Street, Livingston, MT 59047 (US). YARBROUGH, Liam; 5806 East Orchard Avenue, Nampa, ID 83687 (US). KINCAID, Robert; 7845 Churchill Road, Manhattan, MT 59741 (US). SMITH, Paul, N.; 364 Stafford Avenue, Bozeman, MT 59718 (US). MICHAEL, Christopher, J.; 79 East Dooley Lane, Belgrade, MT 59714 (US).

(74) Agents: CHRISTENSEN, Douglas, J. et al.; Christensen Fonder Dardi Herbert PLLC, 33 South Sixth Street, Suite 3950, Minneapolis, MN 55402 (US).

(81) Designated States (unless otherwise indicated, for every kind of national protection available): AE, AG, AL, AM, AO, AT, AU, AZ, BA, BB, BG, BH, BN, BR, BW, BY, BZ, CA, CH, CL, CN, CO, CR, CU, CZ, DE, DJ, DK, DM, DO, DZ, EC, EE, EG, ES, FI, GB, GD, GE, GH, GM, GT, HN, HR, HU, ID, IL, IN, IR, IS, JP, KE, KG, KH, KN, KP, KR, KW, KZ, LA, LC, LK, LR, LS, LU, LY, MA, MD, ME, MG, MK, MN, MW, MX, MY, MZ, NA, NG, NI, NO, NZ, OM, PA, PE, PG, PH, PL, PT, QA, RO, RS, RU, RW, SA, SC, SD, SE, SG, SK, SL, SM, ST, SV, SY, TH, TJ, TM, TN, TR, TT, TZ, UA, UG, US, UZ, VC, VN, ZA, ZM, ZW.

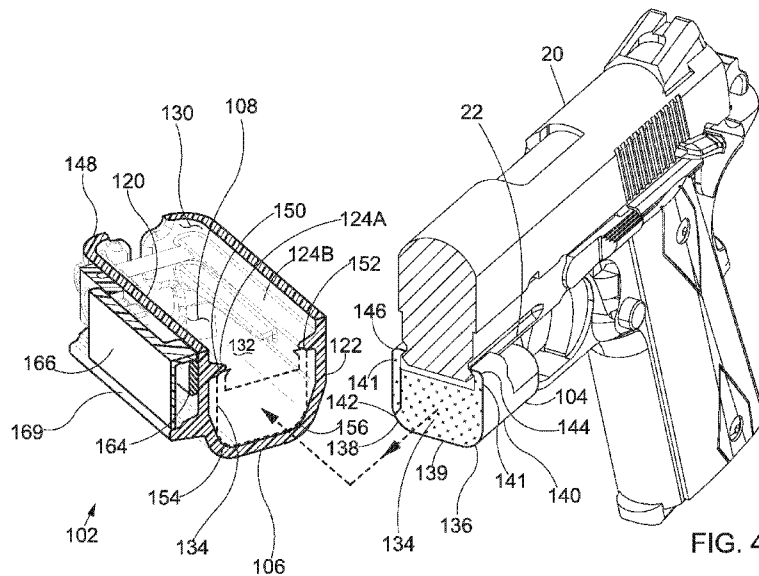
(84) Designated States (unless otherwise indicated, for every kind of regional protection available): ARIPO (BW, GH, GM, KE, LR, LS, MW, MZ, NA, RW, SD, SL, ST, SZ, TZ, UG, ZM, ZW), Eurasian (AM, AZ, BY, KG, KZ, RU, TJ, TM), European (AL, AT, BE, BG, CH, CY, CZ, DE, DK, EE, ES, FI, FR, GB, GR, HR, HU, IE, IS, IT, LT, LU, LV, MC, MK, MT, NL, NO, PL, PT, RO, RS, SE, SI, SK, SM, TR), OAPI (BF, BJ, CF, CG, CI, CM, GA, GN, GQ, GW, KM, ML, MR, NE, SN, TD, TG).

Published:

— with international search report (Art. 21(3))

[Continued on next page]

(54) Title: HOLSTER



(57) Abstract: A holster system that comprises a holster and an accessory configured to be fixed to a mounting rail of a handgun. The holster has a holster body with a pair of opposing wall portions defining a cavity. A retention mechanism of the system has a blocking portion movable between a blocking position and a non-blocking position. The blocking member at least inhibits removal of the handgun and accessory if the handgun and accessory are urged rearwardly before a thumb receiving portion is depressed. The blocking portion is on a spring member that is deflected by an elongate exteriorly extending sliding member that has a cam surface that selectively deflects the spring member from the blocking position.

WO 2017/165547 A1

- *before the expiration of the time limit for amending the claims and to be republished in the event of receipt of amendments (Rule 48.2(h))*

HOLSTER

BACKGROUND OF THE DISCLOSURE

Weapon-mounted firearm accessories have become an important tool for military, police,
5 militia, and civilian firearm users. Examples of popular firearm accessories include targeting
devices, such as LASER sighting devices, and target illuminators, such as flashlights. Many
handgun designs incorporate mounting rails for supporting these accessories. Using an accessory
rail interface, a given accessory may be mounted to a variety of firearms or firearms platforms.
Likewise, if a particular firearm includes a rail interface, a variety of accessories may be
10 interchangeably mounted to the firearm. The interchangeability of accessories is of particular
importance to military and law enforcement personnel attached to special operations units, as this
allows a single firearm to be reconfigured to meet certain mission specific needs.

One accessory that is becoming rather ubiquitous is a handgun-mounted light or flashlight.
These handgun-mounted lights typically attached to a mounting rail located forward of the trigger
15 guard and are centered along the bore axis of the handgun. A weapon-mounted flashlight is useful
to light both the surrounding environment as well as possible assailants using only a single hand.
This frees the other hand to call the police or fend off an attacker, or alternatively allows a user to
keep both hands on the gun for a more secure grip.

Handgun-mounted lasers may similarly be attached to an accessory rail parallel to the bore
20 axis of a handgun. A weapon-mounted laser sighting system has several advantages. First, a laser
can aid in shooting accuracy and speed, particularly in high pressure situations. Further, lasers can
aid in shooting at night or indoors in poorly lit environments. Lasers can also be used to safely

practice trigger control. Finally, lasers may work as an intimidating deterrent for would-be assailants.

SUMMARY

In an embodiment of the invention, holster system comprises a holster and an accessory
5 configured to be fixed to a mounting rail of a handgun. The accessory having a lower downwardly facing surface and a pair of upwardly facing shoulders with lands positioned adjacent grooves of the mounting rail. The holster having a holster body having a pair of opposing wall portions defining an interior or cavity. Each wall portion having an inwardly projecting rib dividing the interior of the holster body into an upper first cavity portion and a lower second cavity portion, the
10 second cavity configured as a form fitting accessory pocket. In embodiments, the first cavity portion dimensioned to universally receive slides and the body of various handgun makes and models in a spaced relationship from two sides and the top of the firearm. The holster body configured such that the second cavity portion receives the accessory so that a conforming engagement is formed between the accessory and the holster body. When a handgun with the
15 accessory mounted thereto is inserted into the holster body, the accessory is engaged by the pair of inwardly projecting ribs and an upwardly facing surface of a bottom of the holster body engages the lower downwardly facing surface of the accessory. A stop surface fixed with respect to, or part of the holster body engages a forward facing surface of the accessory upon insertion of the handgun with accessory into the holster body thereby providing a seating position of the handgun and
20 accessory in the holster body whereby the accessory and thus the handgun is constrained forwardly, upwardly, downwardly, to the port side, and to the starboard side.

In embodiments, a retention mechanism may be supported by the wall of the holster body. The retention mechanism having a blocking portion movable between a blocking position and a

non-blocking position so that the retention mechanism either prevents or allows the accessory attached to the handgun from being withdrawn from the interior of the holster body thus retaining the handgun in the holster. The blocking portion may be on a spring member biased to a blocking position and positioned to engage and block a rearward facing surface of the accessory. A sliding member configured as a flat thin bar or elongate thin plate on the port side of the holster has a thumb receiving portion and a cam surface configured as a ramp that engages cam follower surfaces on the spring member to move the spring member and blocking portion to the non-blocking position. A cam surface may alternatively engage a cam follower surface on the blocking portion. In embodiments, the blocking portion may also be urged to and/or locked in the blocking position when the handgun is pulled rearwardly, that is, in an outward or removal direction with respect to the holster. This may preclude the depression of the thumb receiving portion when the handgun is being pulled and at least inhibits the removal of the handgun from the holster when being so pulled rearwardly. Thus, a feature of embodiments is a handgun withdrawal inhibitor device that is effective to lock the release actuation mechanism in the blocking position upon a force urging the handgun rearwardly when the release actuation mechanism has not been manually actuated. In an embodiment, this feature is accomplished with a blocking member that is movable forwardly and rearwardly and that has a locking portion that engages a fixed surface to immobilize the blocking member when the firearm and/or accessory pushes the locking portion rearwardly before the locking portion has been moved out of the way of the firearm and/or accessory. The locking portion may be a ramped surface or a recess on the blocking portion. In embodiments the locking portion may be displaced from the blocking portion, for example disposed on the spring member to which the blocking portion is attached. In embodiments, the blocking member may engage conventional retention features on the holstered handgun such as the ejection port or trigger

guard rather than an accessory. In embodiments, a depressing of the thumb release portion when the handgun is being pulled rearwardly will cause a bowing of the elongate spring member without causing movement of the blocking portion from the blocking position to the non-blocking position.

A feature and advantage of embodiments is the locking out of the release actuation mechanism where the handgun has been rearwardly displaced from a seating position before the release actuation mechanism is actuated.

A feature and advantage of embodiments is that thumb actuating release actuation mechanism is biased, such as by a spring, to a preactuation position and is automatically reset after withdrawal of the handgun. The handgun can be reholstered without manual reset of the retention mechanism or the release actuation mechanism.

In an embodiment, the accessory has a width less than or equal to the maximum width of the handgun. In an embodiment, the accessory has a height less than or equal to the height of the trigger guard of the handgun.

A feature and advantage of embodiments include providing a universal holster system that allows a single holster to be utilized with various makes and models of handgun. In these embodiments, a weapon mounted accessory, such as a camera and/or a light, is used as the sole or primary interface with the holster. The holster partially encloses the handgun while leaving a predetermined clearance around the handgun. In embodiments, the clearance around the handgun allows a single holster system to be utilized with various makes and models of handguns.

A feature and advantage of embodiments involves reducing or eliminating wear and tear on handgun surface finishes due to the fact that the holster cavity leaves clearance around the handgun.

A feature and advantage of embodiments is a thumb-actuated release actuation mechanism that selectively releases the retention mechanism when the user wishes to draw his or her weapon. The release actuation mechanism includes an elongate substantially flat plate sliding member and a blocking portion with cooperating sloped surfaces configured to cause deflection of the blocking
5 portion when a thumb receiving portion on the sliding member is pressed downward.

A feature and advantage of embodiments is a thin, thumb-actuated release actuation mechanism that fits between the holster and a mounting plate defining one or more slots for receiving belts, straps, and the like.

A feature and advantage of embodiments is that the actuation receiving portion is in a
10 position that is not readily accessible or visible to potential attackers.

A feature and advantage of embodiments is a thin, thumb-actuated release actuation mechanism configured such that pressing downward on a thumb receiving portion moves a blocking portion from a blocking position in which the blocking portion prevents the accessory from being withdrawn from the first cavity defined by the holster body to a non-blocking position
15 in which the retention mechanism allows the accessory to be withdrawn from the first cavity.

A feature and advantage of embodiments is a holster with a capture mechanism with an elongate sliding planar bar extending from the thumb push button to the end of the bar with no motion transfer mechanisms or bends in the bar. Pressure from the thumb actuation is efficiently transferred to the cam surface to deflect the spring member and blocking portion. An integral cam
20 surface positioned on the middle of the bar deflects the spring member for releasing the handgun.

In embodiments of the invention, the holster captures the accessory when the handgun with accessory is inserted into the holster to capture the accessory and handgun, the holster and accessory engagement constraining all freedom of motion of the accessory except freedom of

motion in the insertion and withdrawal direction along a forward rearward axis of the handgun. The holster further providing a stop portion whereby the accessory seats in the slot and abuts the stop portion, the only freedom of motion of the accessory with respect to the holster is a linear withdrawal motion. A spring member configured as a leaf spring, is deflected by the accessory upon insertion of the handgun as it is seated; when the handgun is seated in the holster, a blocking portion of the spring member blocks the handgun from withdrawal there restricting any movement of the handgun with respect to the holster.

In embodiments of the invention, a slot defined by the holster structure captures the accessory when the handgun with accessory is inserted into the holster to capture the accessory and constrain all freedom of motion of the accessory and attached handgun. The slot defined by holster structure to engage a combination of corners and surfaces of the accessory to limit any freedom of motion of the accessory. The holster is form fit to the accessory to capture and constrains the holster accessory combination by exclusively or primarily capturing the accessory. The holster structure defining the slot may be part of side wall portions of the holster, with the side wall portions joined and unitary at the top and bottom of the holster thereby providing the sufficient strength and structural stability to the slot defined by the side wall portions to secure the holster accessory combination in the holster.

An advantage and feature of embodiments is an holster system having an accessory that is attachable to a multiplicity of different shaped handguns at the respective rails of the handguns, the accessory form fit to a holster, the holster not form fit to the multiplicity of different shaped handguns, and the holster being sized sufficient to have clearances with the multiplicity of different sized handguns whereby each of the handguns with the accessory attached receives and secures each handgun therein.

In embodiments of the invention, an accessory clamped to the handgun rail has a singular function of interfacing with the holster while maintaining a reduced profile. In particular, the “interface-only” accessory has the interface features of other accessories (e.g., camera, flashlight and/or laser that clamps to a rail but is of reduced size and/or weight. A holster that accommodates
5 a specific flashlight design can accommodate the interface-only accessory attached to a handgun with an additional insert adaptor that seats into and is fixed within the accessory pocket of the holster body. The lower downwardly facing surface of the interface-only accessory slidingly engages the insert adaptor upon insertion and withdrawal of the handgun and seats on the insert adaptor when the firearm is fully holstered. In embodiments of the invention the holster body can
10 be configured for the interface only accessory whereby the adaptor is not needed. In such a case the secondary pocket for the accessory will be reduced in size with pocket defined as extending from the bottom inside upwardly facing surface of the pocket to the inwardly projecting ribs that engage an upwardly facing surface of the clamp portion of the interface only accessory. The height of the pocket corresponding to the height of the accessory and in embodiments will be less than
15 one half the height of the trigger guard. In embodiments, the height of the pocket will be less than .5 inches.

A feature and advantage of embodiments is automatic retention of the accessory (and therefore the handgun) upon insertion of the handgun/accessory combination into the holster. The system includes a blocking portion with a protrusion that engages a surface of the accessory. The
20 protrusion extends through an aperture defined by the wall of the holster. The blocking portion includes a rearwardly facing face with a sloped surface configured to cause deflection of a cantilevered portion of the blocking portion member upon insertion of the handgun/accessory combination into the holster.

A feature and advantage of embodiments is a locking action which resists or prevents actuation of the release actuation mechanism while rearward forces are being applied to the handgun; for example, when an attacker is attempting to draw the user's weapon or when the user is running and jostling the holster and firearm. The blocking member of the system include a rearward facing ramp oriented such that the ramp engages a portion of the holster body at the aperture when the blocking portion is forced rearwardly such as when the handgun is pulled without the blocking member being moved out of position. The ramp engaging surface of the holster body applies a reaction force to the distal ramp. The reaction force has a lateral force component securing the blocking portion in the blocking position such that depression of the thumb receiving portion is resisted or prevented. The spring member and blocking portion may be attached to the holster body with some minimal forward backward movement, with respect to the holster body for example, less than .25 inches. In other embodiments the forward backward movement may be less than .125 inches. In embodiments the blocking portion may be slidably moveable on the spring member. The blocking portion may be biased toward a non-locking position.

A feature and advantage of embodiments involves providing a holster that is capable of receiving handguns of various makes and models without requiring a user to make adjustments to the holster. The holster has sufficient clearance around each handgun to provide a multi-handgun fit. For example, a user can switch handguns in the middle of a three gun competition without removing the holster from his or her body so long as a predetermined accessory for which the holster is configured to receive and retain is attached to each handgun on the handgun rail.

A feature and advantage of embodiments involves providing a holster capable of receiving a first handgun with a slide portion having a first shape and a second handgun with a slide portion

having a second shape that is different from the first shape so long as the first and second handguns have an accessory with predetermined form that conforms to an accessory pocket in the holster.

A feature and advantage of embodiments is that the release actuation mechanism is actuated by the user's thumb rather than the user's index finger and that the actuation portion is
5 narrow having the height and width of the elongate sliding member.

A feature and advantage of embodiments is that certain retention mechanism components are housed in a cavity defined by the elongate sliding member that actuates the retention mechanism and a wall portion of the holster. Specifically, the elongate spring member with the blocking portion and the spring that biases the elongate sliding member, are in said cavity. The
10 cavity may be open downwardly to allow debris to exit the cavity. Moreover, the elongate sliding member is secured in a recess defined by a pair of guides or tracks extending forwardly and backwardly on the wall portion and is retained in position by a mounting plate or belt attachment member.

In an embodiment, a holster system is configured for receiving and releasably retaining
15 differently configured handguns, each of the differently configured handguns having a mounting rail positioned below barrels of the differently configured handgun. The holster system comprises an accessory configured to be fixed to the mounting rail of the differently configured handguns. The accessory has a body with an upper clamp sized to grip the mounting rail, the upper clamp having a pair of shoulders, and each shoulder having an upwardly facing surface. The body further
20 having a lower most downwardly facing surface below the shoulders. the holster system further including a holster body having a forward end and a rearward end, the holster body comprising a pair of opposing side wall portions 120, 122 defining a cavity with an open rearward end. The holster body having a handgun receiving and withdrawal axis extending forwardly and rearwardly.

The holster body further having a pair of opposing ribs projecting inwardly from each of the opposing side wall portions. The ribs extending forwardly and rearwardly and defining a lower accessory receiving pocket in the cavity. The lower accessory receiving pocket being sized for a conforming fit with the accessory including engagement of the holster body with the pair of
5 shoulders with the pair of ribs. The holster system further including a cover attached to one of the opposing sidewall portions, the cover defining a chamber having an opening that is covered by the one of the opposing sidewall portions. The holster system further including a retention mechanism supported by the wall of the holster body. The retention mechanism comprising an elongate spring member disposed inside the chamber defined by the cover. The elongate spring member extending
10 rearwardly and having a blocking portion at the rearward end of the elongate spring member. The blocking portion swingable in a direction transverse to the handgun receiving and withdrawal axis between a blocking position and a non-blocking position with respect to the accessory such that when the accessory is mounted on one of the differently configured handguns the accessory and handgun attached thereto is retained in the accessory receiving pocket when the blocking portion
15 is in the blocking position and the accessory and handgun attached thereto may be withdrawn from accessory receiving pocket when the blocking portion is in the non-blocking position. The blocking portion being biased toward the blocking position and engageable with the accessory at one of the pair of shoulders of the accessory. The spring member and blocking portion being movable rearwardly with respect to the holster body when a holstered accessory and handgun
20 attached thereto is moved rearwardly in a withdrawal motion with respect to the holster body and the blocking portion is in the blocking position whereby a rearward face of the blocking portion engages a portion of the holster body to at least inhibit the blocking portion from moving to the non-blocking position thereby retaining the handgun in the holster.

In an embodiment, the retention mechanism of the holster system further comprises a thumb actuated release actuation mechanism including an elongate sliding member extending along an exterior surface of one of the side wall portions. The elongate member having opposing ends with a thumb receiving portion at a rearward end thereof and having a protrusion that engages
5 structure on the spring member positioned intermediate a forward end and the rearward end. In an embodiment, the protrusion and structure are configured to produce cantilevered bending of the spring member when the elongate member is slid forwardly and the blocking member is unconstrained thereby moving the blocking member in a direction outwardly with respect to the holster body from the blocking position to the non-blocking position. In an embodiment elongate
10 sliding member engages the spring member forwardly of the blocking portion and when the handgun is moved rearwardly in a withdrawal motion with respect to the holster body and the blocking portion is in the blocking position depressing of the thumb receiving portion causes a bowing of the spring member while retaining the blocking portion in the blocking position.

In an embodiment, a holster system is configured for receiving a handgun having a forward
15 rail below the barrel with an accessory secured thereto. The holster system comprising a holster body having a pair of opposing side wall portions defining an interior with an upper first cavity portion and a lower second cavity portion. In an embodiment, the first cavity portion is sized to receive a slide of the handgun and the second cavity portion is dimensioned to form fit the particular form of the accessory secured to the mounting rail of the handgun. In an embodiment,
20 each of the first and second cavities are open at a rearward end for receiving and withdrawing the handgun and attached accessory in a forward and rearward direction. The holster system further including a cover attached to one of the opposing sidewall portions. The cover defining a chamber having an opening that is covered by the one of the opposing sidewall portions. The holster system

further including a retention mechanism supported by the wall of the holster body. The retention mechanism comprising a spring member disposed inside the chamber defined by the cover. The spring member being secured with respect to the one of the opposing sidewall portions at a first end thereof and the spring member extending rearwardly along an exterior surface of the one of the opposing sidewall portions. The second end of the spring member being fixed to a blocking portion. The blocking portion being positioned at an aperture in the one of the opposing sidewall portions and movable between a blocking position and a non-blocking position with respect to the accessory when the accessory is in the second cavity portion. The retention mechanism further comprising an elongate sliding member extending along an exterior surface of the one of the side wall portions and slidable therealong. A first portion of the elongate member extending into the chamber defined by the cover. The first portion of the elongate member being sandwiched between the cover and the one of the side wall portions. The elongate member having opposing ends with a thumb receiving portion at a rearward end thereof and a protrusion that engages structure on the spring member positioned intermediate a forward end and the rearward end. The protrusion and structure producing cantilevered bending of the spring member when the elongate member is slid forwardly thereby moving the blocking member in a direction outwardly with respect to the holster body from the blocking position to the non-blocking position.

In an embodiment, a holster system is configured for receiving and releasably retaining differently configured handguns, each of the differently configured handgun having a mounting rail positioned below a barrel of the differently configured handgun with a predetermined accessory attached to the rail. The accessory having a vertical distance from the bottom surface of the accessory to the top surface of a pair of clamp portions. The holster system comprising a holster body having a forward end and a rearward end. The holster body comprising a pair of

opposing side wall portions defining an interior with an open rearward end. The holster body having a handgun receiving and withdrawal axis extending forwardly and rearwardly. The holster body further having a pair of opposing ribs extending linearly forwardly and backwardly and projecting inwardly from each of the opposing side wall portions. The ribs being spaced from an upwardly facing bottom surface of the holster body a distance substantially equal to the vertical distance so that the pair of opposing side walls and the ribs defining a lower accessory receiving pocket in the interior. The holster system further comprising a cover attached to one of the opposing sidewall portions. The cover defining a chamber having an opening that is covered by the one of the opposing sidewall portions. The holster system further comprising a retention mechanism supported by the wall of the holster body. The retention mechanism comprising an elongate spring member connecting to a blocking portion. The elongate spring member being disposed in the chamber defined by the cover. The blocking portion movable in a direction transverse to the handgun receiving and withdrawal axis between a blocking position and a non-blocking position with respect to the accessory such that when the accessory is mounted on one of the differently configured handguns the accessory and handgun attached thereto is retained in the accessory receiving pocket when the blocking portion is in the blocking position and the accessory and handgun attached thereto may be withdrawn from accessory receiving pocket when the blocking portion is in the non-blocking position, the blocking portion biased toward the blocking position. The retention mechanism further comprising a thumb actuated release actuation mechanism. The thumb actuated release actuation mechanism comprising an elongate member extending into the chamber defined by the cover. The elongate member being slidably supported by the cover and the one of the opposing sidewall portions. The elongate member having opposing ends with a thumb receiving portion at a rearward end thereof and having a protrusion that engages

structure on the spring member positioned intermediate a forward end and the rearward end. The protrusion and the structure producing cantilevered bending of the spring member when the elongate member is slid forwardly thereby moving the blocking member in a direction outwardly with respect to the holster body from the blocking position to the non-blocking position.

5 In an embodiment, a holster system comprises a holster and an accessory configured to be fixed to a mounting rail of a handgun. The accessory includes an activator switch carried by a housing of the accessory. In an embodiment, the activator switch has a projecting portion biased into a projecting position, the projecting portion being movable out of the projecting position and into a depressed position. In an embodiment, the activator switch is operatively connected to a
10 camera so that the camera is activated when the projecting portion is in the projecting position and is deactivated when the projecting portion is in the depressed position. In an embodiment, a surface of the holster body holds the projecting portion in the depressed position while the accessory is in a cavity defined by the holster body. The camera may be mounted in various locations. Examples of camera mounting locations include locations on the body of a person,
15 locations on the holster, and locations on the handgun. The camera may be automatically activated upon withdrawal of the gun from the holster regardless of the location of the camera. In an embodiment, the accessory may comprise a camera and the system may include a retention mechanism having a blocking portion movable between a blocking position and a non-blocking position so that the retention mechanism either prevents or allows the accessory attached to the
20 handgun from being withdrawn from the interior of the holster body thus retaining the handgun in the holster.

“Portion” when used herein may refer to a discrete component or an integral part of a component that includes other portions. For example, “blocking portion” may be a separately

formed component that is then subsequently attached to another component, such as a spring member. Or it may be the end of a single molded component that has the blocking function and a spring function. The above summary of the various representative features and aspects of the present invention is not intended to describe each illustrated embodiment or every implementation
5 of the present invention. Rather, the various representative features and aspects are chosen and described so that others skilled in the art may appreciate and understand the principles of certain aspects of the present invention. The figures in the detailed description that follows more particularly exemplify such aspects of the present invention.

10

DESCRIPTION OF THE FIGURES

FIG. 1 is a perspective view showing a universal holster system in accordance with the detailed description.

FIG. 2A is a port side view showing the holster shown in FIG. 1.

15

FIG. 2B is a perspective cross-sectional view further illustrating the holster shown in FIG. 2A.

FIG. 2C is a perspective view showing a portion of an accessory fixed to a mounting rail of a handgun.

FIG. 3A is a port side view showing the holster shown in FIG. 1.

20

FIG. 3B is a perspective cross-sectional view further illustrating the holster shown in FIG. 3A.

FIG. 3C is a perspective view showing a portion of an accessory fixed to a mounting rail of a handgun.

FIG. 4 is a perspective view showing a portion of an accessory fixed to a mounting rail of a handgun and how it is received into a slot or pocket of a holster.

FIG. 5A is an exploded perspective view of an assembly including a holster and a retention mechanism viewed from the port side.

5 FIG. 5B is an exploded perspective view of the assembly of FIG. 5A view from the starboard side.

FIG. 5C is a perspective view of the holster body with the plate and elongate sliding member removed.

10 FIG. 6A, FIG. 6B and FIG. 6C are a sequence of stylized front plan views illustrating the operation of a retention mechanism in accordance with the detailed description.

FIG. 7A, FIG. 7B and FIG. 7C are a sequence of diagrams illustrating the forces acting on the ramp portion of the elongate spring member shown in FIG. 6.

15 FIG. 8A and FIG. 8B are stylized front plan views showing an elongate spring member of a retention mechanism in accordance with the detailed description. FIG. 8C is a diagram illustrating forces applied to the blocking portion 162 under circumstances such as the ones illustrate in FIG. 8B providing actuation lockout.

FIG. 8D illustrates alternative actuation lockout configurations of the elongate spring member.

20 FIG. 9A, FIG. 9B and FIG. 9C are a series of stylized front plan views illustrating a sequence of events occurring as an accessory attached to a handgun is inserted into a cavity defined by the wall of a holster.

FIG. 10 is a diagram illustrating forces applied to the blocking portion of a retention mechanism during a sequence of events such as the events illustrated in FIG. 9.

FIG. 11 is an exploded perspective view showing a universal holster system in accordance with the detailed description.

FIG. 12 is a cross-sectional view further illustrating the holster system shown in FIG. 11.

FIG. 13 is an exploded plan view illustrating a dummy accessory configured to be fixed to
5 a mounting rail of a handgun.

FIG. 14 is a prior art copy of Military Standard MIL-STD-1913 (AR) of mounting rails.

FIGS. 15A through 15G are several views showing an additional embodiment of a dummy accessory in accordance with the detailed description.

FIGS. 16A and 16B are exploded perspective views depicting an additional embodiment
10 of a holster assembly in accordance with the detailed description.

FIG. 16C is a perspective view showing the holster assembly of FIGS. 16A and 16B in a partially assembled state.

Figure 17A is a port side elevation view of a holster.

Figure 17B is a port side perspective view of the holster of Figure 17A.

15 Figure 17C is a starboard side elevation view of the holster of Figure 17A.

Figure 17D is a starboard side perspective view of the holster of Figure 17A.

Figure 17E is a top view of the holster of Figure 17A.

Figure 17F is a bottom view of the holster of Figure 17A.

FIGS. 18A-18B are stylized front plan views showing a spring member of a retention
20 mechanism in accordance with the detailed description.

FIGS. 19A and 19B are exploded perspective views depicting an additional embodiment of a holster assembly in accordance with the detailed description.

FIG. 19C is a perspective view showing the holster assembly of FIGS. 19A and 19B in a partially assembled state.

FIG. 20A is a partially exploded perspective view further illustrating the holster assembly shown in FIGS. 19A, 19B and 19C.

5 FIG. 20B is a perspective view showing a sliding member of a retention mechanism in accordance with the detailed description. The sliding member of FIG. 20B is also visible in the partially exploded perspective view of FIG. 20A.

FIG. 21A is a partially exploded perspective view further illustrating the holster assembly shown in FIGS. 20A, 20B and 20C.

10 FIG. 21B is a perspective view showing a sliding member of a retention mechanism in accordance with the detailed description.

FIGS. 22A and 22B are diagrams showing a beam B in a relaxed state and in a bowed state, respectively.

15 FIGS. 23A and 23B are diagrams showing a beam C in a relaxed state and in a cantilevered bending, respectively.

FIGS. 24 through 24F are perspective views showing the holster assembly.

DETAILED DESCRIPTION

20 FIG. 1 is a perspective view showing a holster system 100 in accordance with this detailed description. The holster system 100 of FIG. 1 comprises a holster 102 and an accessory 104 configured to be fixed to a mounting rail 22 of a handgun 20. The mounting rail may conform to Military Standard MIL-STD-1913 (AR) as shown in FIG. 14. In embodiments, the system may include the handgun 20. The accessory 104 may comprise various types of accessories without

deviating from the spirit and scope of this detailed description. Examples of accessories that may be suitable in some applications include cameras, targeting devices, such as LASER sighting devices, and target illuminators, such as flashlights, and non-active mounting adaptors. In the example embodiment of FIG. 1, accessory 104 comprises a light source. A feature and advantage of embodiments of the holster system 100 includes providing a universal holster system that allows a single holster to be utilized with various makes and models of handgun. In these embodiments, a predetermined weapon mounted accessory, such as a light, is used as the sole or primary interface with the holster. In embodiments, the holster partially encloses the handgun while leaving a predetermined clearance around the handgun. The clearance around the handgun allows a single holster system to be utilized with various makes and models of handgun as long as the handgun has the predetermined accessory.

The holster 102 has a holster body 148 having a wall 106 defining an interior or cavity 108. The wall 106 of the holster body 148 includes a port side wall portion 120 and a starboard side wall portion 122. In the embodiment of FIG. 1, a mounting plate 50 is fixed to the port wall portion 120 of the holster 102. In the embodiment of FIG. 1, the mounting plate 50 defines a plurality of slots that may receive a belt, straps, and/or other retaining means.

In embodiments, the holster system 100 of FIG. 1 includes a retention mechanism that is capable of selectively allowing and preventing withdrawal of the handgun 20 from the holster 102. In the embodiment of FIG. 1, the retention mechanism includes an elongate sliding member 166 having a thumb receiving portion 168. The sliding member 166 extends between the mounting plate 50 and the port side wall portion 120 of the holster in the embodiment of FIG. 1. The sliding member 166 is slidingly supported by a port side wall portion 120 of the holster 102. The state of

the retention mechanism may be changed by applying a forward force to the thumb receiving portion 168 of the sliding member 166.

In FIG. 1, orientations are keyed from the handgun in a normal firing position and are applicable to the holster throughout this application. An upward direction U and a downward or lower direction D are illustrated using arrows labeled “U” and “D,” respectively. A forward direction F and a rearward direction R are illustrated using arrows labeled “F” and “R,” respectively, in FIG. 1. A starboard direction S and a port direction P are illustrated using arrows labeled “S” and “P,” respectively.

Various direction-indicating terms are used herein as a convenient way to discuss the objects shown in the figures. It will be appreciated that many direction indicating terms are related to the instant orientation of the object being described. It will also be appreciated that the objects described herein may assume various orientations without deviating from the spirit and scope of this detailed description. Accordingly, direction-indicating terms such as “upwardly,” “downwardly,” “forwardly,” “backwardly,” “portly,” and “starboardly,” should not be interpreted to limit the scope of the invention recited in the attached claims.

FIG. 2A is a port side view showing the holster 102 shown in FIG. 1. FIG. 2B is a perspective cross-sectional view further illustrating the holster shown in FIG. 2A. The cross-sectional view of FIG. 2B was created by cutting holster 102 along section line B-B shown in FIG. 2A. FIG. 2C is a perspective view showing a portion of an accessory 104 fixed to a mounting rail 22 of a handgun 20.

The holster 102 has a holster body 148 with a wall 106 defining a cavity 108. The wall 106 of the holster body 148 includes a port wall portion 120 and a starboard wall portion 122. Each wall portion has an inwardly projecting track or rib 124, 124 dividing the cavity 108 into an

upper first cavity portion 130 and a lower second cavity portion 132 configured as a conforming pocket. The rib extending inwardly from the port wall portion is shown in FIG. 2. In FIG. 2B, a starboard rib 124 can be seen extending inwardly from the starboard wall portion 122. For purposes of illustration, the starboard rib 124 is stippled with a pattern of dots in FIG. 2B.

5 The first cavity portion 130 is dimensioned to receive a slide portion of the handgun 20 and the second cavity portion 132 is dimensioned to receive the accessory 104. The holster body 148 is configured such that a conforming engagement is formed between the accessory 104 and the holster body 148 when the accessory 104 is received in the second cavity portion 132. The first cavity portion 130 is dimensioned to be oversized to receive various handgun makes and
10 models in a spaced relationship from three sides thereof.

In FIG. 2B, a starboard ledge 126B can be seen extending inwardly from the starboard wall portion 122. For purposes of illustration, the starboard ledge 126B is shaded with a pattern of dots in FIG. 2B. The starboard ledge 126A includes a starboard side stop surface 128B that engages the accessory 104 upon insertion of the handgun 20 with the accessory 104 into the holster body
15 148. The holster body 148 also includes a port ledge that is not visible in FIG. 2. The port ledge extends inwardly from the port wall portion 120. The port ledge includes a port side stop surface.

The wall 106 of the holster body 148, the rails, and the stop surfaces of the ledges establish a seating position of the accessory 104 whereby the accessory 104 and thus the handgun attached thereto is constrained forwardly, backwardly, downwardly, portly, and starboardly. A retention
20 mechanism 160 is capable of selectively preventing and allowing movement of the accessory 104 in the rearward direction. A portion of the retention mechanism 160 is visible in FIG. 2B. In the embodiment of FIG. 2, the retention mechanism 160 is supported by the port wall portion 120 of the holster body 148.

The retention mechanism 160 of FIG. 2A comprises a retention or blocking portion 162 movable between a retention or blocking position and a non-blocking position so that the retention mechanism 160 either prevents or allows withdrawal of the accessory 104 attached to the handgun 20 defined by the holster body 148 thus retaining the handgun 20 in the holster 102.

5 In FIG. 2B, the blocking portion 162 can be seen extending through an aperture 170 defined by the port wall portion 120. In the embodiment of FIG. 2, the blocking portion 162 is on a spring member biased to a retention position. The blocking portion 162 is positioned to engage an upward facing surface of the accessory 104. A sliding member 166 on the port side of the holster 102 engages the spring member for selectively deflecting the spring member to move the blocking
10 portion 162 to the non-blocking position.

FIG. 3A is a starboard side view showing the holster 102 shown in FIG. 1. FIG. 3B is a perspective cross-sectional view further illustrating the holster shown in FIG. 3A. The cross-sectional view of FIG. 3B was created by cutting holster 102 along section line B-B shown in FIG. 3A. FIG. 3C is a perspective view showing a portion of an accessory 104 fixed to a mounting rail
15 22 of a handgun 20. FIG. 3A, FIG. 3B and FIG. 3C may be collectively referred to as FIG. 3.

The holster 102 has a holster body 148 with a wall 106 defining a cavity 108. The wall 106 of the holster body 148 includes a port wall portion 120 and a starboard wall portion 122. Each wall portion has an inwardly projecting rib dividing the cavity 108 into an upper first cavity portion 130 and a lower second cavity portion 132. The rib extending inwardly from the starboard
20 wall portion 122 is not visible in FIG. 3. In FIG. 3B, a port rib 124 can be seen extending inwardly from the port wall portion 120. For purposes of illustration, the port rib 124 is shaded with a pattern of dots in FIG. 3B.

The first cavity portion 130 is dimensioned to receive a slide portion of the handgun 20 and the second cavity portion 132 is dimensioned to receive the accessory 104. The holster body 148 is configured such that a conforming engagement is formed between the accessory 104 and the holster body 148 when the accessory 104 is received in the second cavity portion 132. The
5 first cavity portion 130 is dimensioned to receive various handgun makes and models in a spaced relationship from three sides thereof.

In FIG. 3B, a port ledge 126A can be seen extending inwardly from the port wall portion 120. For purposes of illustration, the port ledge 126A is shaded with a pattern of dots in FIG. 3B. The port ledge 126A includes a port side stop surface 128A that engages the accessory 104 upon
10 insertion of the handgun 20 and the accessory 104 mounted thereto into the holster body 148. The holster body 148 also includes a starboard ledge that is not visible in FIG. 3. The starboard ledge extends inwardly from the starboard wall portion 122. The starboard ledge includes a starboard side stop surface.

The wall portions 120, 122 of the holster body 148, the rails, and the stop surfaces of the
15 ledges establish a seating position of the accessory 104 whereby the accessory 104 and thus the handgun attached thereto is constrained forwardly, backwardly, downwardly, portly, and starboardly. A retention mechanism 160 is capable of selectively preventing and allowing movement of the accessory 104 in the rearward direction. A portion of the retention mechanism 160 is visible in FIG. 3B. In the embodiment of FIG. 3, the retention mechanism 160 is supported
20 by the port wall portion 120 of the holster body 148.

The retention mechanism 160 of FIG. 3 comprises a blocking portion 162 movable between a blocking position and a non-blocking position so that the retention mechanism 160 either prevents or allows the accessory 104 attached to the handgun 20 from being withdrawn from the

second cavity portion 132 defined by the holster body 148 thus retaining the handgun 20 in the holster 102.

In FIG. 3B, the blocking portion 162 can be seen extending through an aperture 170 defined by the port wall portion 120. In the embodiment of FIG. 3, the blocking portion 162 is on a spring member biased to a retention position. The blocking portion 162 is positioned to engage an upward facing surface of the accessory 104. A sliding member 166 on the port side of the holster 102 engages the spring member for selectively deflecting the spring member to move the blocking portion 162 to the non-blocking position.

FIG. 4 is a perspective view showing a portion of an accessory 104 fixed to a mounting rail 22 of a handgun 20 by way of clamp portions 141. The accessory 104 has a transverse cross-sectional shape 134 that is filled with a pattern of x-shaped marks in FIG. 4. The transverse cross-sectional shape 134 of the accessory 104 has a first fillet 136 and a second fillet 138 and a lower most downwardly facing surface 139. The first fillet 136 of the cross-sectional shape 134 corresponds to a first convex surface 140 of the accessory 104. The second fillet 138 of the cross-sectional shape 134 corresponds to a second convex surface 142 of the accessory 104.

The transverse cross-sectional shape 134 of the accessory 104 also has a first corner 144 and a second corner 146. In the embodiment of FIG. 4, the first corner 144 and the second corner 146 each have a convex outer surface. With reference to FIG. 4, it will be appreciated that first corner 144 has a radius of curvature that is smaller than the radius of curvature of first fillet 136. It will also be appreciated that second corner 146 has a radius of curvature that is smaller than the radius of curvature of second fillet 138.

FIG. 4 illustrates the accessory and where it interfaces with a portion of the holster 102. The holster 102 has a holster body 148 with a wall 106 defining a cavity 108. The wall 106 of the

holster body 148 comprises a port wall portion 120 and a starboard wall portion 122. In FIG. 4, a port rib 124 can be seen extending into the cavity 108 from the port wall portion 120. A starboard rib 124 is shown extending into the cavity 108 from the starboard wall portion 122. The cutting plane used to create the section view of FIG. 4 passes through both the port rib 124 and the starboard rib 124. The port rib 124 defines a first groove 150 and the starboard rib 124 defines a second groove 152. In the embodiment of FIG. 4, the first groove 150 is defined by a concave surface of the starboard rib 124. The second groove 152 is defined by a concave surface of the port rib 124. When received in the slot or pocket, the freedom of motion of the accessory is limited to a forward and rearward motion due to the tight interface.

10 The port rib 124 and the starboard rib 124 divide the cavity 108 of the holster into a first cavity portion 130 and a second cavity portion 132. With reference to FIG. 4, it will be appreciated that the second cavity portion 132 is partially defined by a first concave surface 154 of the wall 106 and a second concave surface 156 of the wall 106.

For purposes of illustration, the transverse cross-sectional shape 134 of the accessory 104 is shown disposed in the second cavity portion 132 of FIG. 4. The transverse cross-sectional shape 134 is represented by a pattern of x-shaped marks in FIG. 4.

In the embodiment of FIG. 4, the first concave surface 154 of the wall 106 is configured to mate with the first convex surface 140 of the accessory 104 and the second concave surface 156 of the wall is configured to mate with the second convex surface 142 of the accessory 104 when the accessory is received in the second cavity portion 132. The first groove 150 is configured to receive the first corner 144 of the accessory 104 and the second groove 152 is configured to receive the second corner 146 of the accessory 104 when the accessory 104 is received in the second cavity portion 132.

Referring to FIGS. 2A, 4, 5A, 5B, and 5C, a holster assembly 182 including a holster 102 with a retention mechanism 160 is depicted. The holster 102 having the holster body 148 with a port wall portion 120 and an opposite starboard wall portion 122. The walls of the holster body defining the cavity 108. The retention mechanism 160 primarily comprises a spring member 164 and elongate sliding member 166. The sliding member is illustrated with a planar exterior surface 173 that may be flush with or recessed from the outer surfaces of the guides. The spring member 164 has a forward end 176, a protrusion with a ramp 174 and a blocking portion 162. In the embodiment of FIGS. 5A and 5B, the spring member 164 is in a relaxed state with no external forces acting on it. When the assembly 182 is in an assembled state, a holding member configured as a bracket 184 holds one end of the spring member 164 against the port wall portion 120 so that the spring member 164 may be deflected in a cantilevered fashion. In embodiments the spring member can be preloaded when attached to the side wall portion so that the blocking portion exerts some pressure against the wall portion at or proximate the aperture. A blocking portion 162 is disposed at an end of the elongate spring member opposite the bracket 184. When the assembly 182 is in an assembled state, the blocking portion 162 extends through an aperture 170 defined by the port wall portion 120. The bracket 184 is fixed to the port wall portion 120 using a screw 186. The bracket or holding member 184 defines a slot 185 from which the spring member 164 extends. The spring member 164 may be movable forwardly and backwardly in the slot with the movement being limited by the tab 189 in the recess 190 of the bracket 184 with stop surfaces 191 and 192.

An elongate sliding member 166 slidably engages the port wall portion 120 of the holster body 148 on guides 187 that define a forward and backward extending recess or slot 194 that receives the sliding member. Ribs 195 on the bracket cooperate with grooves 196, 197 on the inside surface 198 of the elongate sliding member. A coil spring 188 extends between sliding

member 166 and the bracket 184 when the assembly 182 is in an assembled state. The coil spring 188 is positioned to bias the sliding member 166 in a rearward direction. The spring may be anchored at other locations, for example, the tab 176 or a suitably positioned protrusion on the side wall portion, not shown. With reference to FIG. 5, it will be appreciated that assembly 182 includes a mounting plate 50. When the assembly 182 is in an assembled state the mounting plate 50 is fixed to the port wall portion 120 of the holster 102. The sliding member 166 extends between mounting plate 50 and the port wall portion 120 of the holster body 148 when the assembly 182 is in an assembled state. In the embodiment of FIG. 5, the mounting plate 50 defines a plurality of slots that may receive a belt, straps, and/or other retaining means.

10 Referring to FIGS. 4, 5A-5C and 6A-6C, components of and the operation of a retention mechanism 160 in accordance with various embodiments are illustrated. The retention mechanism 160 comprises a blocking portion 162 that is movable between a blocking position and a non-blocking position, and the elongate sliding member 166 including a cam portion 172. A cross-sectional depiction of the cam-portion 172 is included in FIG. 6A-6C.

15 FIG. 6A shows the blocking portion 162 disposed in the blocking position with the blocking portion 162 extending through an aperture 170 defined by the port wall portion 120. The blocking portion 162 can be seen contacting a rearwardly facing surface of the accessory 104 in FIG. 6A. When the blocking portion 162 is in the blocking position, the accessory 104 is prevented from moving in a rearward direction R.

20 The retention mechanism 160 comprises spring member 164 having a forward end 176 with a tab 189, a protrusion 175 with a ramp 174 and a blocking portion 162. In the embodiment of FIG. 6A, the spring member 164 is in a normal state with no external forces acting on it. It may have a pretension, on attachment, inwardly so that the blocking member is well set in the aperture.

In FIG. 6A, the surface of the cam portion 172 is shown making initial contact with the surface of the ramp portion 174. In the embodiment of FIG. 6, the spring member 164 may be deflected in a cantilevered fashion by moving the cam portion 172 in a downward direction D.

FIG. 6B illustrates the blocking portion 162 and the cam portion 172. With the blocking
5 portion 162 in the process of moving from the blocking position (shown in FIG. 6A) to the non-blocking position (shown in FIG. 6C). In the embodiment of FIG. 6A-6C, the ramp portion 174 and the cam portion 172 are shaped and dimensioned such that forces applied to the ramp portion 174 by the cam portion 172 will cause the blocking portion 162 to move in a port direction P as the cam portion 172 is moved in a forward direction F. In the embodiment of FIG. 6B, the cam
10 portion 172 has been moved in a downward direction relative to the position of the cam portion 172 shown in FIG. 6A. By comparing FIG. 6B and FIG. 6A, it will be appreciated that the blocking portion 162 has moved in the port direction P.

FIG. 6C shows the blocking portion 162 disposed in the non-blocking position. In the
embodiment of FIG. 6C, the cam portion 172 has moved further in the forward direction relative
15 to the position of the cam portion 172 shown in FIG. 6B. By comparing FIG. 6C with FIG. 6B, it will be appreciated that the cam portion 172 slides along the surface of the ramp portion 174 as the cam portion 172 moves in the forward direction. In the embodiment of FIG. 6C, the blocking portion 172 has moved in the port direction P a sufficient distance to reach the non-blocking position. When the blocking portion 162 is in the non-blocking position, the accessory 104 is free
20 to move in the rearward direction R.

FIGS. 7A-7C are a sequence of diagrams illustrating the forces acting on the ramp portion 174 of the spring member 164 shown in FIGS. 6A-6C. Each of these FIGS. include a cross-

sectional depiction of the cam portion 172 shown in FIG. 6. The ramp portion 174 is also shown in in each of these FIGS.

FIGS. 7A-7C, a surface of the cam portion 172 is shown contacting a surface of the ramp portion 174 at a point of tangency. A tangent line TAN is shown extending through the point of tangency in FIG. 7.

As shown in FIGS. 7A-7C, the surface of the cam portion 172 acts on the surface of the ramp portion 174 with a slider force FS. The slider force FS may be resolved into a forwardly force component FF and a portward force component FP. In FIG. 6, a forward direction F and a port direction P are illustrated using arrows labeled "F" and "P," respectively. The portward force component FP acts to deflect the spring member of the spring member 164 in a cantilevered fashion.

At FIG. 7A, the surface of the cam portion 172 makes initial contact with the surface of the ramp portion 174 and begins to act on the ramp portion 174 with slider force FS.

At FIG. 7B, the cam portion 172 has moved in the forward direction D relative to the position of the cam portion 172 shown in FIG. 7A. As illustrated in the figures, the cam portion 172 slides along the surface of the ramp portion 174 as the cam portion 172 moves in the forward direction. In the embodiment of FIGS. 7A-7C, the portward force component FP acts to deflect the spring member of the spring member 164 in a cantilevered fashion as the cam portion 172 slides along the surface of the ramp portion 174.

At FIG. 7C, the cam portion 172 has moved further in the forward direction F relative to the position of the cam portion 172 shown in FIG. 7B. By comparing FIG. 7C with FIG. 7B, it will be appreciated that the cam portion 172 slides along the surface of the ramp portion 174 as the cam portion 172 moves in the downward direction. In the embodiment of FIG. 7, the portward

force component FP acts to deflect the spring member of the spring member 164 in a cantilevered fashion as the cam portion 172 slides along the surface of the ramp portion 174.

FIGS. 8A-8B are stylized front plan views showing a spring member 164 of a retention mechanism 160 in accordance with this detailed description. The spring member 164 includes a blocking portion 162 that is movable between a blocking position and a non-blocking position. In the embodiment of FIG. 8A, the blocking portion 162 is disposed in the blocking position and has a rearward facing face 177 and a forward facing face 178.

With reference to FIG. 8A, it will be appreciated that the blocking portion 162 extends through an aperture 170 defined by the port wall portion 120 when the blocking portion 162 is disposed in the blocking position. The blocking portion 162 can be seen contacting a rearwardly facing surface of the accessory 104 in FIG. 8A. When the blocking portion 162 is in the blocking position, the accessory 104 is prevented from moving in a rearward direction R. In FIGS. 8A-8B, a rearward direction R, a forward direction F, and a starboard direction S are illustrated using arrows labeled R, F and S, respectively.

In the embodiment of FIG. 8B, a rearwardly directed force RF has been applied to the accessory 104. This may occur, for example, when an assailant is attempting to pull a police officer's handgun out of its holster or when the police officer is running. By comparing FIG. 8A and FIG. 8B, it will be appreciated that the application of the upwardly directed pulling force RF to the accessory 104 has caused the spring member 164 to move in the upward direction U so that an rearward surface 180 of the spring member 164 is contacting an edge surface of the port wall portion 120 that defines the aperture 170. When this is the case, the edge surface of the port wall portion 120 provides a reaction force that stops the movement of the spring member 164. In the embodiment of FIG. 8B, the rearward surface 180 of the spring member 164 is sloped so that the

reaction force provided by the edge surface of the port wall portion 120 will have a starboardly directed component. In some useful embodiments, the rearward surface 180 of the spring member 164 is oriented such that the starboardly directed component of the reaction force provided by the edge surface of the port wall portion 120 resists or prevents release of the retention mechanism 5 160 while rearward or pulling forces are being applied to the handgun.

FIG. 8C is a diagram illustrating forces applied to the blocking portion 162 under circumstances such as the ones illustrate in FIG. 8B. The components of a reaction force FR provided by the edge surface of the port wall portion 120 are illustrated in arrows in FIG. 8C. In FIG. 8C, the edge surface of the port wall portion 120 is shown contacting the rearward surface 10 180 of the spring member 164 at a point of tangency. A tangent line TAN is shown extending through the point of tangency in FIG. 8C. As illustrated in FIG. 8C, the reaction force FR provided by the edge surface of the port wall portion 120 may be resolved into a downward force component FD and a starboard force component FT.

In the embodiment of FIG. 8C, the surface 180 of the spring member 164 is sloped so that 15 the reaction force FR provided by the edge surface of the port wall portion 120 will has a starboardly directed component, such a starboard force component FT shown in FIG. 8C.

In some useful embodiments, the rearward surface 180 of the spring member 164 is a locking surface that is oriented such that the starboardly directed component of the reaction force provided by the edge surface of the port wall portion 120 urges the blocking portion to the blocking 20 position.

In the example embodiment of FIG. 8C, the spring member 164 is part of the retention mechanism 160 having a locked state and an unlocked state. The blocking portion 162 is disposed in the blocking position when the retention mechanism 160 is in the locked state. In the

embodiment of FIG. 8C, starboard force component FT has a direction causing blocking portion 162 to resist movement of blocking portion 162 from the blocking position to the non-blocking position.

Referring to FIG. 8D, blocking portion rearward facing face 178 has a recess 179 and a tab 183 to more positively lock out the release actuation mechanism when the firearm is urged rearwardly. These locking features may be displaced from the blocking portion, for example on an intermediate portion of the spring member, by way, for example, with a hook portion 193 integral with the spring member that engages a tab 199 that is fixed with respect to the holster body when the spring member moves forwardly.

FIGS. 9A-9C are a series of stylized front plan views illustrating a sequence of events occurring as an accessory 104 attached to a handgun (not shown in FIG. 9) is inserted into a cavity defined in part by a port wall portion 120 of a holster. The retention mechanism 160 also includes the accessory 104 and a spring member 164. In the embodiment of FIG. 9, a feature and advantage of the retention mechanism 160 is automatic retention of the accessory 104 (and therefore the handgun) upon insertion of the handgun/accessory combination into a holster. The retention mechanism 160 includes a spring member 164 with a blocking portion 162 that engages a surface of the accessory 104. The blocking portion 162 includes a sloped or ramp surface 181 configured to cause deflection of the spring member 164 upon insertion of the handgun/accessory combination into the holster. In FIG. 9A, the blocking portion 162 can be seen extending through an aperture 170 defined by the port wall portion 120.

In FIG. 9A, a downward facing surface or corner of the accessory 104 is shown making initial contact with a sloped surface of the blocking portion 162 as the accessory 104 is inserted into the cavity defined in part by a port wall 120 of a holster. In the embodiment of FIG. 9A, the

spring member 164 is in a normal state. In the embodiment of FIG. 9, the spring member 164 may be deflected in a cantilevered fashion by moving the accessory 104 in a forward direction D. The forward direction is illustrated with an arrow labeled "F" in FIG. 9. Additionally, a rearward direction R and a port direction P are illustrated using arrows labeled "R" and "P," respectively.

5 As the accessory is moved in the forward direction, the accessory 104 acts on the sloped surface of the blocking portion 162 to urge the blocking portion 162 in the port direction.

FIG. 9B illustrates the position of the blocking portion 162 after the accessory 104 has moved further in the downward direction relative to the position of the accessory 104 shown in FIG. 9A. With reference to FIG. 9B, it will be appreciated that movement of the accessory 104 in

10 the downward direction has caused deflection of the spring member 164. The blocking portion 162 can be seen contacting a side surface of accessory 104 in FIG. 9B.

FIG. 9C is a stylized front plan view showing the blocking portion 162 disposed in the blocking position. With reference to FIG. 9C, it will be appreciated that the blocking portion 162 extends through an aperture 170 defined by the port wall portion 120 when the blocking portion

15 162 is disposed in the blocking position. The blocking portion 162 can be seen contacting an upwardly facing surface of the accessory 104 in FIG. 9C. When the blocking portion 162 is in the blocking position, the accessory 104 is prevented from moving in the rearward direction R.

FIG. 10 is a diagram illustrating forces applied to the blocking portion 162 during a sequence of events such as the events illustrated in FIGS. 9A-9C. In FIG. 10, the accessory 104

20 is shown contacting the sloped surface of the blocking portion 162 at a point of tangency. A tangent line TAN is shown extending through the point of tangency in FIG. 10. An accessory force FA applied to the sloped surface of the blocking portion 162 is illustrated using an arrow in FIG. 10. As illustrated in FIG. 10, the accessory force FA may be resolved into a downward force

component FD and a port force component FP. In the embodiment of FIG. 10, the port force component FP acts to deflect the spring member of the spring member 164 in a cantilevered fashion as a downward facing surface of the accessory 104 slides along the sloped surface of the blocking portion 162. The blocking portion 162 moves in a portward direction as the spring member of the
5 spring member 164 is deflected.

Referring to FIGS. 11-13, a universal holster system 200 comprises a holster 202 and an interface only dummy accessory 298 configured to be fixed to a mounting rail 22 of a handgun 20. The “dummy” accessory may be nonfunctional, other than being an interface-only accessory. A feature and advantage of embodiments of the holster system 200 includes providing a universal
10 holster system that allows a single holster to be utilized with various makes and models of handgun with minimal size and weight accessory. In these embodiments, dummy accessory 298, is used as the sole or primary interface with the holster. The holster partially encloses the handgun while leaving a predetermined clearance around the handgun. The clearance around the handgun allows a single holster system to be utilized with various makes and models of handgun.

15 The dummy accessory may interface with the ribs of the holster body at the accessory’s shoulders at the clamp portions as described in the embodiments associated with FIGS. 1-4.

The holster 202 of the holster system 200 has a holster body 248 having a wall 206 defining a cavity 208. The holster system 200 also includes an adaptor 292 that is configured to be received in the cavity 208 defined by the wall 206 of the holster body 248. The adaptor 292 defines a pocket
20 290 that is dimensioned to receive the dummy accessory 298 by the bottom facing surface 302 engaging the upwardly facing surface 303 of the adaptor 292. The dummy accessory 298 includes a main portion 294 and a cap 296. The cap 296 may be fixed to the main portion 294 using a

plurality of screws. The mounting rail 22 of the handgun 20 may be clamped between the cap 296 and the main portion of the dummy accessory 298.

The adaptor 292 is disposed inside the cavity 208 defined by the wall 206 of the holster body 248. The adaptor 292 may be fixed to the wall 206 of the holster body 248, for example, with one or more screws. In the embodiment of FIG. 12, a portion of a handgun 20 with a dummy accessory 298 fixed thereto has been inserted into the cavity 208 defined by the wall 206 of the holster body 248. In FIG. 12, the dummy accessory 298 can be seen resting in the pocket 290 defined by the adaptor 292.

FIG. 13 is an exploded plan view illustrating a dummy accessory 298 configured to be fixed to a mounting rail 22 of a handgun 20. The dummy accessory 298 includes a main portion 294 and a cap 296. The accessory has two clamp portions 306, 308 with one clamp portion 306 integral with the body 309 of the accessory and the other clamp portion 308 movable and tightenable with respect to the body 309. The cap 296 may be fixed to the main portion 294 using a plurality of screws 311. The mounting rail 22 of the handgun 20 may be clamped between the cap 296 and body portion of the dummy accessory 298.

In embodiments, the accessory 104, 309, has a maximum width, taken in a port-starboard direction of W1. The maximum width of the handgun is illustrated as dimension W2. In embodiments, the dimension of W2 is greater than W1. In embodiments, the handgun has a maximum slide width of dimension W3 and the maximum width of the dimension W1 of the accessory is no more than 20% greater than the maximum width dimension of the slide.

In embodiments, the accessory has a maximum height dimension H1, and the slide has a maximum height dimension H2, and H1 is 30% or less than H2. In other embodiments, H1 is 40% or less of H2. In other embodiments, H1 is 25% or less of H2.

In embodiments the handgun trigger guard has a maximum height dimension of H3 and H1 is 30% or less of H3. In other embodiments H1 is 40% or less of H3.

Referring to FIG. 15A through FIG. 15G, an additional embodiment of a dummy accessory is depicted. FIG. 15A through FIG. 15G may be collectively referred to as FIG. 15.

5 The dummy accessory of FIG. 15 may form part of universal holster system in accordance with this detailed description. The universal holster system may include the dummy accessory and a holster having a retention mechanism. The dummy accessory of FIG. 15 is configured to be fixed to a mounting rail of a handgun. The dummy accessory of FIG. 15 may be nonfunctional, other than being an interface-only accessory. A feature and advantage of embodiments of a
10 holster system in accordance with this detailed description includes providing a universal holster system that allows a single holster to be utilized with various makes and models of handgun with an accessory having minimal size and weight. In these embodiments, the dummy accessory is used as the sole or primary interface with the holster. The holster partially encloses the handgun while leaving a predetermined clearance around the handgun. The clearance around the handgun
15 allows a single holster system to be utilized with various makes and models of handgun. Figure 15A is a top view of the accessory. Figure 15B is a perspective view of the accessory. Figure 15C is a front side view of the accessory. Figure 15D is a port side view of the accessory. Figure 15E is a rear side view of the accessory. Figure 15F is a starboard side view of the accessory. Figure 15G is a bottom view of the accessory.

20 Referring to FIGS. 16A, 16B, and 16C, an additional embodiment of a holster assembly 382 is depicted. The holster assembly 382 may be used with a handgun while an interface only dummy accessory, such as the dummy accessory shown in FIG. 15A through FIG. 15G is fixed to a mounting rail of the handgun. The holster assembly 382 includes a holster 302 and a

retention mechanism 360. The holster 302 has a holster body 348 with a port wall portion 320 and an opposite starboard wall portion 322. The walls of the holster body 348 define a cavity 308. The retention mechanism 360 primarily comprises a spring member 364 and elongate sliding member 366. The spring member 364 has a forward end 376, a protrusion with a ramp 374, a blocking portion 362, and a tab 389. In the embodiment of FIGS. 16A and 16B, the spring member 364 is in a relaxed state with no external forces acting on it.

When the assembly 382 is in an assembled state, a forward portion of the spring member 364 is held between the port wall portion 320 and the elongate sliding member 366 so that the spring member 364 may be deflected in a cantilevered fashion. In embodiments the spring member 364 can be preloaded when attached to the side wall portion so that the blocking portion exerts some pressure against the wall portion at or proximate the aperture. A blocking portion 362 is disposed at an end of the elongate spring member opposite the forward end 376. When the assembly 382 is in an assembled state, the blocking portion 362 extends through an aperture 370 defined by the port wall portion 320. The port wall portion 320 defines a slot 385 from which the spring member 364 extends. The spring member 364 may be movable forwardly and backwardly in the slot 385 with the movement being limited by the tab 389 which is disposed between a first stop surface of a first stop member 391 and a second stop surface of a second stop member 392.

An elongate sliding member 366 slidably engages the port wall portion 320 of the holster body 348 on guides 387 that define a forward and backward extending recess or slot 394 that receives the sliding member. Ribs 395 on the port wall portion 320 cooperate with grooves 396, 397 on the inside surface 398 of the elongate sliding member 366.

A coil spring 388 extends between sliding member 366 and a spring pocket defined by the port wall portion 320 when the assembly 382 is in an assembled state. The coil spring 388 is positioned to bias the sliding member 366 in a rearward direction. With reference to FIG. 16A and FIG. 16B, it will be appreciated that assembly 382 includes a mounting plate 50. When the assembly 382 is in an assembled state the mounting plate 50 is fixed to the port wall portion 320 of the holster 302. The sliding member 366 extends between mounting plate 50 and the port wall portion 320 of the holster body 348 when the assembly 382 is in an assembled state. In the embodiment of FIG. 16A and FIG. 16B, the mounting plate 50 defines a plurality of slots that may receive a belt, straps, and/or other retaining means.

Referring to FIG. 17A through FIG. 17F, an additional embodiment of a holster is depicted. FIG. 17A through FIG. 17F may be collectively referred to as FIG. 17. The holster of FIG. 17 may form part of universal holster system in accordance with this detailed description. The universal holster system may include a dummy accessory and a holster having a retention mechanism. The dummy accessory may be configured to be fixed to a mounting rail of a handgun. The dummy accessory may be nonfunctional, other than being an interface-only accessory. A feature and advantage of embodiments of a holster system in accordance with this detailed description includes providing a universal holster system that allows a single holster to be utilized with various makes and models of handgun with an accessory having minimal size and weight. In these embodiments, the dummy accessory is used as the sole or primary interface with the holster. The holster partially encloses the handgun while leaving a predetermined clearance around the handgun. The clearance around the handgun allows a single holster system to be utilized with various makes and models of handgun. Figure 17A is a port side elevation view of a holster. Figure 17B is a port side perspective view of the holster of Figure 17A.

Figure 17C is a starboard side elevation view of the holster of Figure 17A. Figure 17D is a starboard side perspective view of the holster of Figure 17A. Figure 17E is a top view of the holster of Figure 17A. Figure 17F is a bottom view of the holster of Figure 17A.

FIGS. 18A-18B are stylized front plan views showing a spring member 564 of a retention mechanism 560 in accordance with this detailed description. FIG. 18A and FIG. 18B may be collectively referred to as FIG. 18. The spring member 564 includes a blocking portion 562 that is normally movable between a blocking position and a non-blocking position. In the embodiment of FIG. 18A, the blocking portion 562 is disposed in the blocking position and has a rearward facing face 577 and a forward facing face 578.

With reference to FIG. 18A, it will be appreciated that the blocking portion 562 extends through an aperture 570 defined by the port wall portion 520 when the blocking portion 562 is disposed in the blocking position. The blocking portion 562 can be seen contacting a rearwardly facing surface of the accessory 504 in FIG. 18A. When the blocking portion 562 is in the blocking position, the accessory 504 is prevented from moving in a rearward direction R. In FIG. 18, a rearward direction R, a forward direction F, and a starboard direction S are illustrated using arrows labeled R, F and S, respectively.

In the embodiment of FIG. 18, a rearwardly directed force RF has been applied to the accessory 504. This may occur, for example, when an assailant is attempting to pull a police officer's handgun out of its holster. With reference to FIG. 18, it will be appreciated that the application of the upwardly directed pulling force RF to the accessory 504 is causing a rearward facing surface 577 of the spring member 564 to contact an edge surface of the port wall portion 520 that defines the aperture 570. When this is the case, the edge surface of the port wall portion 520 provides a reaction force that stops the movement of the spring member 564. In the

embodiment of FIG. 18, the rearward facing surface 577 of the spring member 564 is sloped so that the reaction force provided by the edge surface of the port wall portion 520 will have a starboardly directed component. In some useful embodiments, the rearward facing surface 577 of the spring member 564 is oriented such that the starboardly directed component of the reaction
5 force provided by the edge surface of the port wall portion 520 resists or prevents release of the retention mechanism 560 while rearward or pulling forces are being applied to the handgun (and thus the accessory 504).

The spring member 564 of FIG. 18 is part of a retention mechanism 560. The retention mechanism 560 also comprises a sliding member including a cam portion 572. A cross-sectional
10 depiction of the cam portion 572 is included in FIG. 18A and FIG. 18B. In FIG. 18A, the surface of the cam portion 572 is shown making contact with the surface of the ramp portion 574 of the spring member 564. During normal operation of the embodiment shown in FIG. 18, the spring member 564 may be deflected in a cantilevered fashion by moving the cam portion 572 in a forward direction F. In the embodiment of FIG. 18, however, the rearward facing surface 577 of
15 the spring member 564 is oriented such that the starboardly directed component of the reaction force provided by the edge surface of the port wall portion 520 resists or prevents release of the retention mechanism 560 while rearward or pulling forces (such as force RF) are being applied to the handgun (and thus the accessory 504).

The blocking portion 562 and the cam portion 572 can be seen in both FIG. 18A and FIG.
20 18B. By comparing FIG. 18B and FIG. 18A, it will be appreciated that the blocking portion 562 has moved in the port direction P the cam portion 572 has been moved in a downward direction relative to the position of the cam portion 572 shown in FIG. 18A. In the illustrative embodiment of FIG. 18B, the forces applied to the ramp portion 574 by the cam portion 572 have not caused

the blocking portion 562 to move in a port direction P as the cam portion 572 is moved in a forward direction F. Instead, the forces applied to the ramp portion 574 by the cam portion 572 as the cam portion 572 is moved in the forward direction F have caused the spring member 564 to deflect or bow.

5 In some useful embodiments, the spring member 564 is dimensioned and configured so that forces applied to the ramp portion 574 by the cam portion 572 as the cam portion 572 is moved in the forward direction F cause the spring member 564 to deflect or bow rather than bending in a cantilevered fashion while rearward or pulling forces are being applied to the handgun (and thus the accessory 504). In an embodiment, the rearward facing surface 577 of
10 the spring member 564 is oriented such that the starboardly directed component of the reaction force provided by the edge surface of the port wall portion 520 prevents the blocking member 562 from being moved in a port direction P. The spring member 564 deflects or bows rather than bending in a cantilevered fashion that moves the blocking member 562 in a port direction. The fact that moving the sliding member in the forward direction fails to unlock the handgun
15 may confuse an assailant who is attempting to pull a police officer's handgun out of its holster.

Referring to FIGS. 19A, 19B, and 19C, a holster assembly 582 including a holster 502 with a retention mechanism 560 is depicted. FIGS. 19A, 19B, and 19C may be collectively referred to as FIG. 19. The holster 502 has a holster body 548 with a port wall portion 520 and an opposite starboard wall portion 522. The walls of the holster body define a cavity 508. The
20 retention mechanism 560 primarily comprises a spring member 564 and elongate sliding member 566. The spring member 564 has a forward end 576, a protrusion with a ramp 574 and a blocking portion 562. In the embodiment of FIG. 19, the spring member 564 is in a relaxed state with no external forces acting on it. When the holster assembly 582 is in an assembled state, a

cover 555 holds one end of the spring member 564 against the port wall portion 520 so that the spring member 564 may be deflected in a cantilevered fashion. A blocking portion 562 is disposed at an end of the elongate spring member opposite the forward end 576. When the assembly 582 is in an assembled state, the blocking portion 562 extends through an aperture 570 defined by the port wall portion 520. The cover 555 is fixed to the port wall portion 520 using a first screw 586A and a second screw 586B. The port wall portion 520 includes a plurality of protrusions 512A, 512B, 512C, and 512D that define a slot 585 from which the spring member 564 extends. The cover 555 defines a chamber 514. When the assembly 582 of FIG. 19 is in an assembled state, the cover 555 is fixed to the port wall portion 520. The chamber 514 defined by the cover 555 has an opening that is covered by the port wall portion when the assembly 582 of FIG. 19 is in an assembled state. The cover 555 may be fixed to the port wall portion 520, for example, using the first screw 586A and the second screw 586B.

The retention mechanism 560 is supported by the wall of the holster body 548 when the holster assembly 582 is in an assembled state. The elongate spring member 564 of the retention mechanism 560 is disposed in the chamber 514 defined by the cover 555 when the holster assembly 582 is in an assembled state. The elongate spring member 564 is secured with respect to the port sidewall portion 520 at a first end thereof when the holster assembly 582 is in an assembled state. The second end of the elongate spring member 564 is fixed to a blocking portion 562. The blocking portion is positioned at an aperture 570 in the port sidewall portion 520 and is movable between a blocking position and a non-blocking position with respect to the port sidewall portion 520. The retention mechanism 560 further comprises an elongate sliding member 566 extending along an exterior surface of the port sidewall portion 520 and slidable therealong when the holster assembly 582 is in an assembled state. A first portion of the elongate sliding

member 566 extends into the cavity defined by the cover 555 when the holster assembly 582 is in an assembled state. The first portion of the elongate sliding member 566 is sandwiched between the cover 555 and the port side wall portion 580 when the holster assembly 582 is in an assembled state. A coil spring 588 is positioned between the sliding member 566 and the port wall portion 520 when the holster assembly 582 is in an assembled state. The coil spring 588 is positioned to bias the sliding member 566 in a rearward direction.

With reference to FIG. 19, it will be appreciated that assembly 582 includes a mounting plate 50. When the assembly 582 is in an assembled state the mounting plate 50 is fixed to the port wall portion 520 of the holster 502. The cover 555 is disposed between the mounting plate 50 and the port wall portion 520 of the holster body 548 when the assembly 582 is in an assembled state. The sliding member 566 extends between cover 555 and the port wall portion 520 of the holster body 548 when the assembly 582 is in an assembled state. The sliding member 566 extends between mounting plate 50 and the port wall portion 520 of the holster body 548 when the assembly 582 is in an assembled state. In the embodiment of FIG. 19, the mounting plate 50 defines a plurality of slots that may receive a belt, straps, and/or other retaining means.

FIG. 20A is a partially exploded perspective view further illustrating the holster assembly 582 shown in FIGS. 19A, 19B and 19C. FIG. 20B is a perspective view showing a sliding member 566 of a retention mechanism 560 in accordance with the detailed description. The sliding member 566 of FIG. 20B is also visible in the partially exploded perspective view of FIG. 20A. FIG. 20A and FIG. 20B may be collectively referred to as FIG. 20. The holster assembly 582 comprises a holster 502 having a holster body 548 with a port wall portion 520 and an opposite starboard wall portion 522. The walls of the holster body 548 define a cavity 508.

When the assembly 582 of FIG. 20 is in an assembled state, the cover 555 is fixed to the port wall portion 520. The cover 555 defines a chamber 514. The chamber 514 defined by the cover 555 has an opening that is covered by the port wall portion 520 when the assembly 582 of FIG. 20 is in an assembled state. The cover 555 may be fixed to the port wall portion 520, for example, using a first screw 586A and a second screw 586B. A retention mechanism 560 is supported by the wall of the holster body 548 when the holster assembly 582 is in an assembled state. The retention mechanism 560 comprises an elongate spring member 564 that is disposed in the chamber 514 defined by the cover 555. The spring member is secured with respect to the one of the port sidewall portion 520 at a first end thereof when the holster assembly 582 is in an assembled state.

The retention mechanism 560 primarily comprises a spring member 564 and elongate sliding member 566. The spring member 564 has a forward end 576, a protrusion with a ramp 574 and a blocking portion 562. In the embodiment of FIG. 20, the spring member 564 is in a relaxed state with no external forces acting on it. When the holster assembly 582 is in an assembled state, the cover 555 holds one end of the spring member 564 against the port wall portion 520 so that the spring member 564 may be deflected in a cantilevered fashion. A blocking portion 562 is disposed at an end of the elongate spring member 564 opposite the forward end 576. When the assembly 582 is in an assembled state, the blocking portion 562 extends through an aperture 570 defined by the port wall portion 520. The cover 555 is fixed to the port wall portion 520 using a first screw 586A and a second screw 586B.

The elongate spring member 564 extends rearwardly along an exterior surface of the port sidewall portion 520 when the holster assembly 582 is in an assembled state. The second end of the spring member 564 is fixed to the blocking portion 562. The blocking portion 562 is movable

between a blocking position and a non-blocking position with respect to the port side wall portion 520. The retention mechanism 560 further comprises an elongate sliding member 566 extending along an exterior surface of the port sidewall portion 520 and slidable therealong when the holster assembly 582 is in an assembled state. A first portion of the elongate sliding member 566 extends into the cavity defined by the cover 555 when the holster assembly 582 is in an assembled state. The first portion of the elongate sliding member 566 is sandwiched between the cover 555 and the port side wall portion 580 when the holster assembly 582 is in an assembled state. A coil spring 588 is positioned between the sliding member 566 and the port wall portion 520 when the holster assembly 582 is in an assembled state. The coil spring 588 is positioned to bias the sliding member 566 in a rearward direction.

With reference to FIG. 20, it will be appreciated that assembly 582 includes a mounting plate 50. When the assembly 582 is in an assembled state the mounting plate 50 is fixed to the port wall portion 520 of the holster 502. The cover 555 is disposed between the mounting plate 50 and the port wall portion 520 of the holster body 548 when the assembly 582 is in an assembled state. The sliding member 566 extends between cover 555 and the port wall portion 520 of the holster body 548 when the assembly 582 is in an assembled state. The sliding member 566 extends between mounting plate 50 and the port wall portion 520 of the holster body 548 when the assembly 582 is in an assembled state. In the embodiment of FIG. 20, the mounting plate 50 defines a plurality of slots that may receive a belt, straps, and/or other retaining means.

FIG. 21A is a partially exploded perspective view further illustrating the holster assembly 582 shown in FIGS. 19A, 19B and 19C. FIG. 21B is a perspective view showing a sliding member 566 of a retention mechanism 560 in accordance with the detailed description. The

sliding member 566 of FIG. 21B is also visible in the partially exploded perspective view of FIG. 21A. FIG. 21A and FIG. 21B may be collectively referred to as FIG. 21. The holster assembly 582 comprises a holster 502 having a holster body 548 with a port wall portion 520 and an opposite starboard wall portion 522. The walls of the holster body 548 define a cavity 508.

5 When the assembly 582 of FIG. 21 is in an assembled state, the cover 555 is fixed to the port wall portion 520. The cover 555 defines a chamber 514. The chamber 514 defined by the cover 555 has an opening that is covered by the port wall portion 520 when the assembly 582 of FIG. 21 is in an assembled state. The cover 555 may be fixed to the port wall portion 520, for example, using a first screw 586A and a second screw 586B. A retention mechanism 560 is
10 supported by the wall of the holster body 548 when the holster assembly 582 is in an assembled state. The retention mechanism 560 comprises an elongate spring member 564 that is disposed in the chamber 514 defined by the cover 555. The spring member is secured with respect to the one of the port sidewall portion 520 at a first end thereof when the holster assembly 582 is in an assembled state.

15 The retention mechanism 560 primarily comprises a spring member 564 and elongate sliding member 566. The spring member 564 has a forward end 576, a protrusion with a ramp 574 and a blocking portion 562. In the embodiment of FIG. 21, the spring member 564 is in a relaxed state with no external forces acting on it. When the holster assembly 582 is in an assembled state, the cover 555 holds one end of the spring member 564 against the port wall
20 portion 520 so that the spring member 564 may be deflected in a cantilevered fashion. A blocking portion 562 is disposed at an end of the elongate spring member 564 opposite the forward end 576. When the assembly 582 is in an assembled state, the blocking portion 562

extends through an aperture 570 defined by the port wall portion 520. The cover 555 is fixed to the port wall portion 520 using a first screw 586A and a second screw 586B.

The elongate spring member 564 extends rearwardly along an exterior surface of the port sidewall portion 520 when the holster assembly 582 is in an assembled state. The second end of the spring member 564 fixed to the blocking portion 562. The blocking portion 562 is movable
5 between a blocking position and a non-blocking position with respect to the port side wall portion 520. The retention mechanism 560 further comprises an elongate sliding member 566 extending along an exterior surface of the port sidewall portion 520 and slidable therealong when the holster assembly 582 is in an assembled state. A first portion of the elongate sliding member
10 566 extends into the cavity defined by the cover 555 when the holster assembly 582 is in an assembled state. The first portion of the elongate sliding member 566 is sandwiched between the cover 555 and the port side wall portion 580 when the holster assembly 582 is in an assembled state. A coil spring 588 is positioned between the sliding member 566 and the port wall portion 520 when the holster assembly 582 is in an assembled state. The coil spring 588 is positioned to
15 bias the sliding member 566 in a rearward direction.

With reference to FIG. 21, it will be appreciated that assembly 582 includes a mounting plate 50. When the assembly 582 is in an assembled state the mounting plate 50 is fixed to the port wall portion 520 of the holster 502. The cover 555 is disposed between the mounting plate 50 and the port wall portion 520 of the holster body 548 when the assembly 582 is in an
20 assembled state. The sliding member 566 extends between cover 555 and the port wall portion 520 of the holster body 548 when the assembly 582 is in an assembled state. The sliding member 566 extends between mounting plate 50 and the port wall portion 520 of the holster body 548 when the assembly 582 is in an assembled state. In the embodiment of FIG. 21, the

mounting plate 50 defines a plurality of slots that may receive a belt, straps, and/or other retaining means.

FIGS. 22A and 22B are diagrams showing a beam B. In the embodiment of FIG. 22A, the beam B is in a relaxed state with no external forces acting on it other than its own weight and forces from supports that are bearing the weight of the beam B. In the embodiment of FIG. 22B, beam B is bowing to the application of a force BFF.

FIGS. 23A and 23B are diagrams showing a beam C. In the embodiment of FIG. 23A, the beam C is in a relaxed state with no external forces acting on it other than its own weight and forces from a support that is bearing the weight of the beam C. In the embodiment of FIG. 23B, beam C is exhibiting cantilevered bending to the application of a cantilevered bending force CBF.

FIGS. 24 through 24F are perspective views showing the holster assembly 582 described above. Forward and starboard facing sides of the holster assembly 582 are visible in FIG. 24. Forward and portward facing sides of the holster assembly 582 are visible in FIG. 24. Rearward and portward facing sides of the holster assembly 582 are visible in FIG. 24C. Rearward and starboard facing sides of the holster assembly 582 are visible in FIG. 24D. Upward and portward facing sides of the holster assembly 582 are visible in FIG. 24E. Downward and starboard facing sides of the holster assembly 582 are visible in FIG. 24F.

Referring to FIGS. 19A through 24F, a holster assembly 582 including a holster 502 with a retention mechanism 560 is depicted. In an embodiment, a holster assembly 582 is configured for receiving and releasably retaining differently configured handguns, each of the differently configured handguns having a mounting rail positioned below barrels of the differently configured handgun. The holster assembly 582 comprises an accessory configured to be fixed to

the mounting rail of the differently configured handguns. The accessory has a body with an upper clamp sized to grip the mounting rail, the upper clamp having a pair of shoulders, and each shoulder having an upwardly facing surface. The body further having a lower most downwardly facing surface below the shoulders. The holster assembly 582 further including a holster body 548 having a forward end and a rearward end, the holster body 548 comprising a pair of opposing side wall portions 520, 522 defining a cavity 508 with an open rearward end. The holster body 548 having a handgun receiving and withdrawal axis extending forwardly and rearwardly. The holster body 548 further having a pair of opposing ribs projecting inwardly from each of the opposing side wall portions 520, 522. The ribs extending forwardly and rearwardly and defining a lower accessory receiving pocket in the cavity 508. The lower accessory receiving pocket being sized for a conforming fit with the accessory including engagement of the holster body 548 with the pair of shoulders with the pair of ribs. The holster assembly 582 further including a cover 555 attached to one of the opposing side wall portions 520, 522, the cover 555 defining a chamber 514 having an opening that is covered by the one of the opposing side wall portions 520, 522. The holster assembly 582 further including a retention mechanism 560 supported by the wall of the holster body 548. The retention mechanism 560 comprising an elongate spring member 564 disposed inside the chamber 514 defined by the cover 555. The elongate spring member 564 extending rearwardly and having a blocking portion 562 at the rearward end of the elongate spring member 564. The blocking portion 562 swingable in a direction transverse to the handgun receiving and withdrawal axis between a blocking position and a non-blocking position with respect to the accessory such that when the accessory is mounted on one of the differently configured handguns the accessory and handgun attached thereto is retained in the accessory receiving pocket when the blocking portion 562 is in the

blocking position and the accessory and handgun attached thereto may be withdrawn from accessory receiving pocket when the blocking portion 562 is in the non-blocking position. The blocking portion 562 being biased toward the blocking position and engageable with the accessory at one of the pair of shoulders of the accessory. The elongate spring member 564 and
5 blocking portion 562 being movable rearwardly with respect to the holster body 548 when a holstered accessory and handgun attached thereto is moved rearwardly in a withdrawal motion with respect to the holster body 548 and the blocking portion 562 is in the blocking position whereby a rearward face of the blocking portion 562 engages a portion of the holster body 548 to at least inhibit the blocking portion 562 from moving to the non-blocking position thereby
10 retaining the handgun in the holster.

In an embodiment, the retention mechanism 560 of the holster assembly 582 further comprises a thumb actuated release actuation mechanism including an elongate sliding member 566 extending along an exterior surface of one of the side wall portions. The elongate member having opposing ends with a thumb receiving portion at a rearward end thereof and having a
15 protrusion that engages structure on the elongate spring member 564 positioned intermediate a forward end and the rearward end. In an embodiment, the protrusion and structure are configured to produce cantilevered bending of the elongate spring member 564 when the elongate member is slid forwardly and the blocking member is unconstrained thereby moving the blocking member in a direction outwardly with respect to the holster body 548 from the blocking
20 position to the non-blocking position. In an embodiment elongate sliding member 566 engages the elongate spring member 564 forwardly of the blocking portion 562 and when the handgun is moved rearwardly in a withdrawal motion with respect to the holster body 548 and the blocking portion 562 is in the blocking position depressing of the thumb receiving portion causes a

bowing of the elongate spring member 564 while retaining the blocking portion 562 in the blocking position.

Referring still to FIGS. 19A through 24F, in an embodiment, the holster assembly 582 is configured for receiving a handgun having a forward rail below the barrel with an accessory
5 secured thereto. The holster assembly 582 comprising a holster body 548 having a pair of opposing side wall portions 520, 522 defining an interior with an upper first cavity portion and a lower second cavity portion. In an embodiment, the first cavity portion is sized to receive a slide of the handgun and the second cavity portion is dimensioned to form fit the particular form of the accessory secured to the mounting rail of the handgun. In an embodiment, each of the first and
10 second cavities are open at a rearward end for receiving and withdrawing the handgun and attached accessory in a forward and rearward direction. The holster assembly 582 further including a cover 555 attached to one of the opposing side wall portions 520, 522. The cover 555 defining a chamber 514 having an opening that is covered by the one of the opposing side wall portions 520, 522. The holster assembly 582 further including a retention mechanism 560
15 supported by the wall of the holster body 548. The retention mechanism 560 comprising an elongate spring member 564 disposed inside the chamber 514 defined by the cover 555. The elongate spring member 564 being secured with respect to the one of the opposing side wall portions 520, 522 at a first end thereof and the elongate spring member 564 extending rearwardly along an exterior surface of the one of the opposing side wall portions 520, 522. The second end
20 of the elongate spring member 564 being fixed to a blocking portion 562. The blocking portion 562 being positioned at a aperture in the one of the opposing side wall portions 520, 522 and movable between a blocking position and a non-blocking position with respect to the accessory when the accessory is in the second cavity portion. The retention mechanism 560 further

comprising an elongate sliding member 566 extending along an exterior surface of the one of the side wall portions and slidable therealong. A first portion of the elongate member extending into the chamber 514 defined by the cover 555. The first portion of the elongate member being sandwiched between the cover 555 and the one of the side wall portions. The elongate member
5 having opposing ends with a thumb receiving portion at a rearward end thereof and a protrusion that engages structure on the elongate spring member 564 positioned intermediate a forward end and the rearward end. The protrusion and structure producing cantilevered bending of the elongate spring member 564 when the elongate member is slid forwardly thereby moving the blocking member in a direction outwardly with respect to the holster body 548 from the blocking
10 position to the non-blocking position.

Referring still to FIGS. 19A through 24F, in an embodiment, the holster assembly 582 is configured for receiving and releasably retaining differently configured handguns, each of the differently configured handgun having a mounting rail positioned below a barrel of the differently configured handgun with a predetermined accessory attached to the rail. The
15 accessory having a vertical distance from the bottom surface of the accessory to the top surface of a pair of clamp portions. The holster assembly 582 comprising a holster body 548 having a forward end and a rearward end. The holster body 548 comprising a pair of opposing side wall portions 520, 522 defining an interior with an open rearward end. The holster body 548 having a handgun receiving and withdrawal axis extending forwardly and rearwardly. The holster body
20 548 further having a pair of opposing ribs extending linearly forwardly and backwardly and projecting inwardly from each of the opposing side wall portions 520, 522. The ribs being spaced from an upwardly facing bottom surface of the holster body 548 a distance substantially equal to the vertical distance so that the pair of opposing side walls and the ribs defining a lower

accessory receiving pocket in the interior. The holster assembly 582 further comprising a cover 555 attached to one of the opposing side wall portions 520, 522. The cover 555 defining a chamber 514 having an opening that is covered by the one of the opposing side wall portions 520, 522. The holster assembly 582 further comprising a retention mechanism 560 supported by
5 the wall of the holster body 548.

The retention mechanism 560 comprising an elongate spring member 564 connecting to a blocking portion 562. The elongate spring member 564 being disposed in the chamber 514 defined by the cover 555. The blocking portion 562 movable in a direction transverse to the handgun receiving and withdrawal axis between a blocking position and a non-blocking position
10 with respect to the accessory such that when the accessory is mounted on one of the differently configured handguns the accessory and handgun attached thereto is retained in the accessory receiving pocket when the blocking portion 562 is in the blocking position and the accessory and handgun attached thereto may be withdrawn from accessory receiving pocket when the blocking portion 562 is in the non-blocking position, the blocking portion 562 biased toward the blocking
15 position. The retention mechanism 560 further comprising a thumb actuated release actuation mechanism. The thumb actuated release actuation mechanism comprising an elongate member extending into the chamber 514 defined by the cover 555. The elongate member being slidably supported by the cover 555 and the one of the opposing side wall portions 520, 522. The elongate member having opposing ends with a thumb receiving portion at a rearward end thereof
20 and having a protrusion that engages structure on the elongate spring member 564 positioned intermediate a forward end and the rearward end. The protrusion and the structure producing cantilevered bending of the elongate spring member 564 when the elongate member is slid

forwardly thereby moving the blocking member in a direction outwardly with respect to the holster body 548 from the blocking position to the non-blocking position.

The holster body and other parts of the holster system may be formed of injection molded polymers or composite construction. Generally the holster body and other parts of the holster system will be rigid materials with some resilience. Polyamides (e.g., nylon), polyethylenes, polyurethanes, and epoxies, may be suitable for example; such may be reinforced with glass, carbon or other fiber materials. Other materials may also be suitable, for example, some components could be formed from a metallic material or a composite construction-polymer and metal.

The following United States patents are hereby incorporated by reference herein in accordance with MPEP 2163.07(B) include: U.S. Pat. Nos. US5918784, US6112962, US6267279, US6547111, US6641009, US7937880, US7434712, US7461765, US7556181, US7694860, US7841497, US7954971, US8132355, US8177108, US8235263, US8474670, US8517235, US8690032, US8720755, US8985412, US9057579, US9057580, and US9134093.

Components illustrated in such patents may be utilized with embodiments herein.

The above references in all sections of this application are herein incorporated by references in their entirety for all purposes.

All of the features disclosed in this specification (including the references incorporated by reference, including any accompanying claims, abstract and drawings), and/or all of the steps of any method or process so disclosed, may be combined in any combination, except combinations where at least some of such features and/or steps are mutually exclusive.

Each feature disclosed in this specification (including references incorporated by reference, any accompanying claims, abstract and drawings) may be replaced by alternative features serving

the same, equivalent or similar purpose, unless expressly stated otherwise. Thus, unless expressly stated otherwise, each feature disclosed is one example only of a generic series of equivalent or similar features.

The invention is not restricted to the details of the foregoing embodiment(s). The invention
5 extends to any novel one, or any novel combination, of the features disclosed in this specification (including any incorporated by reference references, any accompanying claims, abstract and drawings), or to any novel one, or any novel combination, of the steps of any method or process so disclosed. The above references in all sections of this application are herein incorporated by references in their entirety for all purposes.

10 Although specific examples have been illustrated and described herein, it will be appreciated by those of ordinary skill in the art that any arrangement calculated to achieve the same purpose could be substituted for the specific examples shown. This application is intended to cover adaptations or variations of the present subject matter. Therefore, it is intended that the invention be defined by the attached claims and their legal equivalents, as well as the following
15 illustrative aspects. The above described aspects embodiments of the invention are merely descriptive of its principles and are not to be considered limiting. Further modifications of the invention herein disclosed will occur to those skilled in the respective arts and all such modifications are deemed to be within the scope of the invention.

CLAIMS

What is claimed is:

1. A the holster, handgun, and accessory combination, the accessory attached to a rail of the handgun, the rail positioned below the barrel of the handgun, the holster comprising
5 a pair of side wall portions formed of a polymer and being unitary with one another and joined at a top and bottom of the side wall portions, the side wall portions defining a slot configured for capturing and engaging the accessory when the handgun with accessory is inserted into the holster, the holster and accessory engagement constraining all freedom of motion of the accessory except freedom of motion in the insertion and withdrawal direction along a forward
10 rearward axis of the handgun, the holster further providing a stop portion whereby the accessory seats in the slot as the accessory abuts the stop portion, wherein when the accessory is seated in the slot abutting the stop portion, the only freedom of motion of the accessory with respect to the slot is a linear withdrawal motion, the holster further comprising a spring member configured as a leaf spring, the leaf spring movable between an accessory blocking position
15 and an accessory non-blocking position, the leaf spring deflectable to the non-blocking position by engagement with the accessory upon insertion of the handgun and accessory into the holster, as the handgun and accessory are seated in the holster the spring member returns to the blocking position with a blocking portion of the spring member blocking the handgun from withdrawal thereby restricting movement of the seated handgun and accessory with respect to the holster.

20

2. The holster, handgun, accessory combination of claim 1, wherein the holster is configured to receive differently configured handguns, each of the handguns having a rail for attachment of the accessory.

3. The holster, handgun, accessory combination of claim 1, wherein the accessory is a dummy accessory and is non-functional except as an interface with the holster.

wherein the accessory having a maximum height dimension, and wherein the accessory maximum height dimension is less than the height of the forward barrel, slide, rail
5 portion of the handgun to which it is attached.

4. The holster, handgun, accessory combination of claim 1, wherein the accessory maximum height dimension is less than 30% of the height of a forward barrel, slide, rail portion of the handgun to which it is attached.

10

5. The holster, handgun, accessory combination of any of claim 1 through 4, wherein the accessory having a maximum height dimension, and wherein the accessory maximum height dimension is 30% or less than the height of the trigger guard of the handgun to which it is attached.

15

6. The holster, handgun, accessory combination of claim 1, wherein the spring member is slidingly attached to the one of the sidewall portions providing a forward-rearward travel of less than 0.425 inches of the spring member and blocking portion with respect to the holster body.

20

7. The holster, handgun, accessory combination of claim 1, wherein the accessory is configured as one of a camera, a flashlight and a laser aiming light, the accessory comprising a body and wherein the one of the clamp portions is unitary with the housing body and the other is movably attached to the housing body.

25

8. The holster, handgun, accessory combination of any of claim 1 through 4, wherein the accessory has a width measured in a side to side direction and said width is not greater than the width of the handgun.

5 9. The holster, handgun, accessory combination of claim 1, further comprising an elongate sliding member configured as a bar that slides forwardly and rearwardly in a slot defined by the one of the side wall portions and a belt bracket, the elongate sliding member and blocking portion having a pair of cooperating engagement surfaces, at least one of the cooperating surfaces being a ramp surface and the other being a ramp engaging surface such
10 that when the elongate sliding member is slid forwardly, the cooperating engagement portions cause a deflection of the blocking portion outwardly from the blocking position to the non-blocking position.

10. The holster, handgun, accessory combination of claim 9 wherein the spring
15 member is attached to the one of the sidewall portions by a holding member secured to the sidewall portion with a fastener, the holding member defining a slot extending forwardly and wherein the elongate sliding member is biased in a rearward direction by a spring extending between the holding member and the elongate sliding member.

20 11. A holster system for receiving a handgun having a forward rail below the barrel with an accessory secured thereto, the accessory having a particular form, the holster system comprising:

a holster body having a pair of opposing side wall portions defining an interior with an upper first cavity portion and a lower second cavity portion, the first cavity portion sized
25 to receive a slide of the handgun and the second cavity portion being dimensioned to form fit

the particular form of the accessory, each of the first and second cavities open at a rearward end for receiving and withdrawing the handgun and attached accessory in a forward and rearward direction;

a retention mechanism supported by the wall of the holster body, the retention
5 mechanism comprising spring member secured with respect to one of the opposing sidewall portions at a first end of the spring member, the spring member extending rearwardly along an exterior surface of the one of the opposing sidewall portions, the second end of the spring member fixed to a blocking portion, the blocking portion positioned at a aperture in the one
10 of the opposing sidewall portions and movable between a blocking position and a non-blocking position with respect to the accessory when the accessory is in the second cavity portion;

the retention mechanism further comprising an elongate sliding member extending along an exterior surface of the one of the side wall portions and slidable therealong, the elongate member sandwiched between a belt or strap connector and the one of the side wall
15 portions; the elongate member having opposing ends with a thumb receiving portion at a rearward end thereof and a protrusion that engages structure on the spring member positioned intermediate a forward end and the rearward end, the protrusion and structure providing a deflection of the spring member when the elongate member is slid rearwardly thereby moving the blocking member in a direction outwardly with respect to the holster body from
20 the blocking position to the non-blocking position;

wherein the elongate member and one of the side wall portions define a cavity that contains the spring member, the elongate member and one of the side wall portions form fit to each other and allowing sliding of the elongate member with respect to the one of the side wall portions and to have said cavity closed with respect to the exterior of the holster.

25

12. The holster system of claim 11, wherein the aperture is sized to the blocking member, the blocking member extending into the interior of the holster body at said aperture when in the blocking position, the blocking member movable outwardly with respect to the holster body at said aperture from the blocking position to the non-blocking position.

5

13. The holster system of claim 10, wherein the blocking member has a forward facing face and a rearward facing face, the rearward facing face having a ramp surface for engagement of the accessory when the firearm and attached accessory is inserted into the holster for deflecting the blocking member outwardly allowing insertion of the firearm and
10 accessory.

14. The holster system of claim 13, wherein the rearward facing face wherein the blocking member has a freedom of movement in the forward and rearward direction and the forward and rearward movement is less than .125 inches, and wherein the rearward facing
15 face has a rearward facing holding surface that is angled with respect to an interior facing surface of the one of the opposing sidewalls providing an angle measured rearwardly, between the interior facing surface and the rearward facing holding surface of less than 90 degrees, wherein when the handgun and accessory are pulled rearwardly with the blocking member in the blocking position, the blocking member moves rearwardly and the rearwardly
20 facing holding surface engages an aperture edge surface thereby holding the blocking portion in the blocking position.

15. The holster system of claim 11, in combination with a handgun having a rail in conformance with Military Standard Mil-std-1913 dated 3-February-1995, and an accessory
25 attached to the rail, the handgun and accessory holstered in the holster.

16. The combination of claim 15, wherein the lower cavity is form fit to the accessory and the upper cavity is spaced from the handgun.

17. The combination of claim 16, wherein the lower cavity is form fit to the
5 accessory and the upper cavity is spaced from the handgun, the holster body having opposing side walls with each side wall having a forwardly and rearwardly extending rib, the ribs engaging the accessory at shoulders on clamp portions of the accessory.

18. A holster system for receiving and releasably retaining differently configured
10 handguns, each of the differently configured handgun having a mounting rail positioned below a barrel of the differently configured handgun with a predetermined accessory attached to the rail, the accessory having a vertical distance from the bottom surface of the accessory to the top surface of a pair of clamp portions, the holster system comprising:

a holster body having a forward end and a rearward end, the holster body comprising
15 a pair of opposing side wall portions defining an interior with an open rearward end, the holster body having a handgun receiving and withdrawal axis extending forwardly and rearwardly, the holster body further having a pair of opposing ribs extending linearly forwardly and backwardly and projecting inwardly from each of the opposing side wall portions, the ribs spaced from an upwardly facing bottom surface of the holster body a
20 distance substantially equal to the vertical distance, wherein the pair of opposing side walls and the ribs defining a lower accessory receiving pocket in the interior;

a retention mechanism supported by the wall of the holster body, the retention mechanism comprising an elongate spring member connecting to a blocking portion, the blocking portion movable in a direction transverse to the handgun receiving and withdrawal
25 axis between a blocking position and a non-blocking position with respect to the accessory

such that when the accessory is mounted on one of the differently configured handguns the accessory and handgun attached thereto is retained in the accessory receiving pocket when the blocking portion is in the blocking position and the accessory and handgun attached thereto may be withdrawn from accessory receiving pocket when the blocking portion is in the non-blocking position, the blocking portion biased toward the blocking position;

the retention mechanism further comprising a thumb actuated release actuation mechanism, the thumb actuated release actuation mechanism comprising an elongate member extending along a slot in the exterior surface of the one of the side wall portions and slidable therealong; the elongate member having opposing ends with a thumb receiving portion at a rearward end thereof and having a protrusion that engages structure on the spring member positioned intermediate a forward end and the rearward end, the protrusion and structure providing a deflection of the spring member when the elongate member is slid rearwardly thereby moving the blocking member in a direction outwardly with respect to the holster body from the blocking position to the non-blocking position;

wherein the elongate member and one of the side wall portions define a spring member cavity that contains the spring member, the elongate member and one of the side wall portions form fit to each other effectively containing and isolating the spring member within the cavity.

19. The holster system of claim 18, is combination with a handgun with an accessory rail and with an accessory attached to the rail, the accessory being one of a camera, a flashlight, a laser aiming device, and an interface-only dummy accessory.

20. The holster system of claim 18, in combination with a handgun having a rail in conformance with Military Standard Mil-std-1913 dated 3-February-1995, and an accessory

attached to the rail, the handgun and accessory holstered in the holster, the accessory form fit to the second cavity portion.

21. A holster system for receiving and releasably retaining differently configured
5 handguns, each of the differently configured handguns having a mounting rail positioned below barrels of the differently configured handgun, the holster system comprising:

an accessory configured to be fixed to the mounting rail of the differently configured
handguns, the accessory having a body with an upper clamp sized to grip the mounting rail,
the upper clamp having a pair of shoulders, each shoulder with an upwardly facing surface,
10 the body further having a lower most downwardly facing surface below the shoulders;

a holster body having a forward end and a rearward end, the holster body comprising
a pair of opposing side wall portions defining a cavity with an open rearward end, the holster
body having a handgun receiving and withdrawal axis extending forwardly and rearwardly,
the holster body further having a pair of opposing ribs projecting inwardly from each of the
15 opposing side wall portions, the ribs extending forwardly and rearwardly and defining a
lower accessory receiving pocket in the cavity, the lower accessory receiving pocket sized for
a conforming fit with the accessory including engagement of the holster body with the pair of
shoulders with the pair of ribs;

a cover attached to one of the opposing sidewall portions, the cover defining a
20 chamber having an opening that is covered by the one of the opposing sidewall portions;

a retention mechanism supported by the wall of the holster body, the retention
mechanism comprising an elongate spring member disposed inside the chamber defined by
the cover, the elongate spring member extending rearwardly and having a blocking portion at
the rearward end of the elongate spring member, the blocking portion swingable in a
25 direction transverse to the handgun receiving and withdrawal axis between a blocking

position and a non-blocking position with respect to the accessory such that when the accessory is mounted on one of the differently configured handguns the accessory and handgun attached thereto is retained in the accessory receiving pocket when the blocking portion is in the blocking position and the accessory and handgun attached thereto may be withdrawn from accessory receiving pocket when the blocking portion is in the non-blocking position, the blocking portion biased toward the blocking position and engageable with the accessory at one of the pair of shoulders of the accessory, the spring member and blocking portion movable rearwardly with respect to the holster body when a holstered accessory and handgun attached thereto is moved rearwardly in a withdrawal motion with respect to the holster body and the blocking portion is in the blocking position, whereby a rearward face of the blocking portion engages a portion of the holster body to at least inhibit the blocking portion from moving to the non-blocking position thereby retaining the handgun in the holster.

22. The holster system of claim 21, wherein the retention mechanism of the holster system further comprises a thumb actuated release actuation mechanism, the thumb actuated release actuation mechanism comprising an elongate sliding member extending along an exterior surface of one of the side wall portions, the elongate member having opposing ends with a thumb receiving portion at a rearward end thereof and having a protrusion that engages structure on the spring member positioned intermediate a forward end and the rearward end, the protrusion and structure configured to produce cantilevered bending of the spring member when the elongate member is slid forwardly and the blocking member is unconstrained thereby moving the blocking member in a direction outwardly with respect to the holster body from the blocking position to the non-blocking position.

25

23. The holster system of claim 22, wherein the elongate sliding member engages the spring member forwardly of the blocking portion and wherein when the handgun is moved rearwardly in a withdrawal motion with respect to the holster body and the blocking portion is in the blocking position depressing of the thumb receiving portion causes a bowing
5 of the spring member while retaining the blocking portion in the blocking position.

24. The holster system of claim 21, wherein the holster body defines a stop projection extending from the body into the cavity and positioned to engage a forward facing surface of the accessory when the accessory and handgun attached thereto are holstered.
10

25. The holster system of claim 21, wherein an end of the spring member opposite the blocking portion is secured to an exterior surface of one of the sidewall portions and the spring member extends along the exterior surface of the one of the sidewall portions, the blocking portion positioned at an aperture in the one of the sidewall portions and the blocking
15 portion extends into the interior cavity.

26. The holster system of claim 25, wherein the spring member is slidingly attached to the one of the sidewall portions providing a forward rearward travel of less than 0.425 inches of the spring member and blocking portion with respect to the holster body.
20

27. The holster system of claim 21, wherein the accessory is configured as one of a camera, a flashlight and a laser aiming light, the accessory comprising a body and wherein the one of the clamp portions is unitary with the housing body and the other is movably attached to the housing body.
25

28. The holster system of claim 21, wherein the accessory has a width measured in a side to side direction and said width is not greater than the width of the handgun.

29. The holster system of claim 28, wherein the elongate sliding member is
5 configured as a bar that slides forwardly and rearwardly in a slot defined by the one of the side wall portions and the belt bracket, the elongate sliding member and blocking portion having a pair of cooperating engagement surfaces, at least one of the cooperating surfaces being a ramp surface and the other being a ramp engaging surface such that when the elongate sliding member is slid forwardly, the cooperating engagement portions cause a
10 deflection of the blocking portion outwardly from the blocking position to the non-blocking position.

30. The holster system of claim 29 wherein the spring member is attached to the one of the sidewall portions by a holding member secured to the sidewall portion with a
15 fastener, the holding member defining a slot extending forwardly and wherein the elongate sliding member is biased in a rearward direction by a spring extending between the holding member and the elongate sliding member.

31. A holster system for receiving a handgun having a forward rail below the
20 barrel with an accessory secured thereto, the accessory having a particular form, the holster system comprising:

a holster body having a pair of opposing side wall portions defining an interior with an upper first cavity portion and a lower second cavity portion, the first cavity portion sized to receive a slide of the handgun and the second cavity portion being dimensioned to form fit
25 the particular form of the accessory, each of the first and second cavities open at a rearward

end for receiving and withdrawing the handgun and attached accessory in a forward and rearward direction;

a cover attached to one of the opposing sidewall portions, the cover defining a chamber having an opening that is covered by the one of the opposing sidewall portions;

5 a retention mechanism supported by the wall of the holster body, the retention mechanism comprising a spring member disposed in the chamber defined by the cover, the spring member being secured with respect to the one of the opposing sidewall portions at a first end thereof, the spring member extending rearwardly along an exterior surface of the one of the opposing sidewall portions, the second end of the spring member fixed to a blocking
10 portion, the blocking portion positioned at a aperture in the one of the opposing sidewall portions and movable between a blocking position and a non-blocking position with respect to the accessory when the accessory is in the second cavity portion;

the retention mechanism further comprising an elongate sliding member extending along an exterior surface of the one of the side wall portions and slidable therealong, a first
15 portion of the elongate member extending into the chamber defined by the cover, the first portion of the elongate member being sandwiched between the cover and the one of the side wall portions; the elongate member having opposing ends with a thumb receiving portion at a rearward end thereof and a protrusion that engages structure on the spring member positioned intermediate a forward end and the rearward end, the protrusion and structure producing
20 cantilevered bending of the spring member when the elongate member is slid forwardly thereby moving the blocking member in a direction outwardly with respect to the holster body from the blocking position to the non-blocking position.

32. The holster system of claim 31, wherein the aperture is sized to the blocking
25 member, the blocking member extending into the interior of the holster body at said aperture

when in the blocking position, the blocking member movable outwardly with respect to the holster body at said aperture from the blocking position to the non-blocking position.

33. The holster system of claim 31, wherein the blocking member has a forward
5 facing face and a rearward facing face, the rearward facing face having a ramp surface for engagement of the accessory when the firearm and attached accessory is inserted into the holster for deflecting the blocking member outwardly allowing insertion of the firearm and accessory.

10 34. The holster system of claim 33, wherein the rearward facing face wherein the blocking member has a freedom of movement in the forward and rearward direction and the forward and rearward movement is less than .125 inches, and wherein the rearward facing face has a rearward facing holding surface that is angled with respect to an interior facing surface of the one of the opposing sidewalls providing an angle measured rearwardly,
15 between the interior facing surface and the rearward facing holding surface of less than 90 degrees, wherein when the handgun and accessory are pulled rearwardly with the blocking member in the blocking position, the blocking member moves rearwardly and the rearwardly facing holding surface engages an aperture edge surface thereby holding the blocking portion in the blocking position.

20 35. The holster system of claim 31, in combination with a handgun having a rail in conformance with Military Standard Mil-std-1913 dated 3-February-1995, and an accessory attached to the rail, the handgun and accessory holstered in the holster.

36. The combination of claim 35, wherein the lower cavity is form fit to the accessory and the upper cavity is spaced from the handgun.

37. The combination of claim 36, wherein the lower cavity is form fit to the
5 accessory and the upper cavity is spaced from the handgun, the holster body having opposing side walls with each side wall having a forwardly and rearwardly extending rib, the ribs engaging the accessory at shoulders on clamp portions of the accessory.

38. A holster system for receiving and releasably retaining differently configured
10 handguns, each of the differently configured handgun having a mounting rail positioned below a barrel of the differently configured handgun with a predetermined accessory attached to the rail, the accessory having a vertical distance from the bottom surface of the accessory to the top surface of a pair of clamp portions, the holster system comprising:

a holster body having a forward end and a rearward end, the holster body comprising
15 a pair of opposing side wall portions defining an interior with an open rearward end, the holster body having a handgun receiving and withdrawal axis extending forwardly and rearwardly, the holster body further having a pair of opposing ribs extending linearly forwardly and backwardly and projecting inwardly from each of the opposing side wall portions, the ribs spaced from an upwardly facing bottom surface of the holster body a
20 distance substantially equal to the vertical distance, wherein the pair of opposing side walls and the ribs defining a lower accessory receiving pocket in the interior;

a cover attached to one of the opposing sidewall portions, the cover defining a chamber having an opening that is covered by the one of the opposing sidewall portions;

a retention mechanism supported by the wall of the holster body, the retention
25 mechanism comprising an elongate spring member connecting to a blocking portion, the

elongate spring member being disposed in the chamber defined by the cover, the blocking portion movable in a direction transverse to the handgun receiving and withdrawal axis between a blocking position and a non-blocking position with respect to the accessory such that when the accessory is mounted on one of the differently configured handguns the accessory and handgun attached thereto is retained in the accessory receiving pocket when the blocking portion is in the blocking position and the accessory and handgun attached thereto may be withdrawn from accessory receiving pocket when the blocking portion is in the non-blocking position, the blocking portion biased toward the blocking position;

the retention mechanism further comprising a thumb actuated release actuation mechanism, the thumb actuated release actuation mechanism comprising an elongate member extending into the chamber defined by the cover, the elongate member being slidably supported by the cover and the one of the opposing sidewall portions; the elongate member having opposing ends with a thumb receiving portion at a rearward end thereof and having a protrusion that engages structure on the spring member positioned intermediate a forward end and the rearward end, the protrusion and structure producing cantilevered bending of the spring member when the elongate member is slid forwardly thereby moving the blocking member in a direction outwardly with respect to the holster body from the blocking position to the non-blocking position.

39. The holster system of claim 38, in combination with a handgun with an accessory rail and with an accessory attached to the rail, the accessory being one of a camera, a flashlight, a laser aiming device, and an interface-only dummy accessory.

40. The holster system of claim 38, in combination with a handgun having a rail in conformance with Military Standard Mil-std-1913 dated 3-February-1995, and an accessory

attached to the rail, the handgun and accessory holstered in the holster, the accessory form fit to the second cavity portion.

41. A holster for receiving a handgun and an accessory attached to the handgun,
5 the holster comprising:
a holster body having a pair of opposing side wall portions defining a cavity;
a retention mechanism supported by one of the opposing side wall portions of the
holster body, the retention mechanism comprising a spring member, the spring member
being secured with respect to the one of the opposing sidewall portions at a first end thereof,
10 the spring member extending rearwardly along an exterior surface of the one of the opposing
sidewall portions, the second end of the spring member fixed to a blocking portion, the
blocking portion positioned proximate an aperture defined by the one of the one of the
opposing sidewall portions and movable between a blocking position and a non-blocking
position with respect to the accessory when the accessory is disposed in the cavity defined by
15 the pair of opposing side walls of the holster body;
the retention mechanism further comprising an elongate sliding member extending
along an exterior surface of the one of the side wall portions and slidable therealong, the
elongate member having opposing ends with a thumb receiving portion at a rearward end
thereof and a protrusion that engages structure on the spring member positioned intermediate
20 a forward end and the rearward end.

42. The holster of claim 41, wherein the structure on the spring member
positioned intermediate the forward and rearward ends comprises a ramp and the elongate
sliding member comprises a cam portion that engages the ramp.

25

43. The holster of claim 41, wherein the blocking portion is configured so that the holster body applies a reactionary force to the blocking portion while rearward or pulling force are applied to cause rearward translation of the blocking portion, the reaction force and the rearward or pulling force acting to fix the position of the blocking portion.

5

44. The holster of claim 43, wherein:

while the holster body is applying the reaction force to the blocking portion, the protrusion and structure produces bowing of the spring member when the elongate member is slid forwardly; and

10 while the holster body is not applying the reaction force to the blocking portion, the protrusion and structure produces cantilevered bending of the spring member when the elongate member is slid forwardly thereby moving the blocking member in an outward direction with respect to the holster body from the blocking position to the non-blocking position.

15

45. The holster of claim 44, wherein the outward direction is a portward direction that is generally perpendicular to the forward and rearward directions.

46. The holster of claim 44, wherein the outward direction is a starboard direction
20 that is generally perpendicular to the forward and rearward directions.

47. A holster for receiving a handgun and an accessory attached to the handgun, the holster comprising:

a holster body comprising a wall defining an interior cavity, the wall of the holster
25 body including a port side wall portion and a starboard side wall portion, the cavity extending

in a forward direction from a rearward end of the holster body to the forward end of the holster body and extending in a rearward direction from the forward end of the holster body to the rearward end of the holster body;

a retention mechanism supported by the wall of the holster body, the retention
5 mechanism comprising a spring member, the spring member being secured with respect to the wall at a first end thereof, the spring member extending rearwardly along an exterior surface of the wall, the second end of the spring member fixed to a blocking portion, the blocking portion positioned proximate an aperture defined by the wall and movable between a blocking position and a non-blocking position with respect to wall, the blocking portion
10 extending through the aperture while in the blocking position;

the retention mechanism further comprising an elongate sliding member extending along an exterior surface of the wall and slidable therealong, the elongate member having opposing ends with a thumb receiving portion at a rearward end thereof and a protrusion that engages structure on the spring member positioned intermediate a forward end and the
15 rearward end of the spring member.

48. The holster of claim 47, wherein the blocking portion is configured so that the holster body applies a reactionary force to the blocking portion while rearward or pulling force are applied to cause rearward translation of the blocking portion, the reaction force
20 and the rearward or pulling force acting to fix the position of the blocking portion.

49. The holster of claim 47, wherein:
while the holster body is applying the reaction force to the blocking portion, the protrusion and structure produces bowing of the spring member when the elongate member is
25 slid forwardly; and

while the holster body is not applying the reaction force to the blocking portion, the protrusion and structure produces cantilevered bending of the spring member when the elongate member is slid forwardly thereby moving the blocking member in an outward direction with respect to the holster body from the blocking position to the non-blocking
5 position.

50. The holster of claim 49, wherein the outward direction is a portward direction that is generally perpendicular to the forward and rearward directions.

10 51. The holster of claim 49, wherein the outward direction is a starboard direction that is generally perpendicular to the forward and rearward directions.

52. The holster of claim 47 wherein the elongate sliding member extends between an exterior surface of the one of the side wall portions and a belt or strap connector fixed to
15 the one of the side wall portions.

53. A holster for receiving a handgun and a dummy-accessory attached to the handgun, the holster comprising:

a holster body comprising a wall defining an interior cavity, the wall of the holster
20 body including a port side wall portion and a starboard side wall portion, the cavity extending in a forward direction from a rearward end of the holster body to the forward end of the holster body and extending in a rearward direction from the forward end of the holster body to the rearward end of the holster body;

a retention mechanism supported by the wall of the holster body, the retention
25 mechanism comprising a spring member, the spring member being secured with respect to

the wall at a first end thereof, the spring member extending rearwardly along an exterior surface of the wall, the second end of the spring member fixed to a blocking portion, the blocking portion positioned proximate an aperture defined by the wall and movable between a blocking position and a non-blocking position with respect to the dummy-accessory when
5 the dummy-accessory is disposed in the interior cavity defined by the wall;

the retention mechanism further comprising an elongate sliding member extending along an exterior surface of the wall and slidable therealong, the elongate member having opposing ends with a thumb receiving portion at a rearward end thereof and a protrusion that engages structure on the spring member positioned intermediate a forward end and the
10 rearward end of the spring member.

54. The holster of claim 53, wherein the blocking portion is configured so that the holster body applies a reactionary force to the blocking portion while rearward or pulling force are applied to cause rearward translation of the blocking portion, the reaction force
15 and the rearward or pulling force acting to fix the position of the blocking portion.

55. The holster of claim 53, wherein:
while the holster body is applying the reaction force to the blocking portion, the protrusion and structure produces bowing of the spring member when the elongate member is
20 slid forwardly; and

while the holster body is not applying the reaction force to the blocking portion, the protrusion and structure produces cantilevered bending of the spring member when the elongate member is slid forwardly thereby moving the blocking member in an outward direction with respect to the holster body from the blocking position to the non-blocking
25 position.

56. The holster of claim 55, wherein the outward direction is a portward direction that is generally perpendicular to the forward and rearward directions.

57. The holster of claim 55, wherein the outward direction is a starboard direction
5 that is generally perpendicular to the forward and rearward directions.

58. The holster of claim 53 wherein the elongate sliding member extends between an exterior surface of the one of the side wall portions and a belt or strap connector fixed to the one of the side wall portions.

10

59. A holster for receiving a handgun, the holster comprising:

a holster body comprising a wall defining an interior cavity, the wall of the holster body including a port side wall portion and a starboard side wall portion, the cavity extending in a forward direction from a rearward end of the holster body to the forward end of the
15 holster body and extending in a rearward direction from the forward end of the holster body to the rearward end of the holster body;

a retention mechanism supported by the wall of the holster body, the retention mechanism comprising a spring member, the spring member being secured with respect to the wall at a first end thereof, the spring member extending rearwardly along an exterior
20 surface of the wall, the second end of the spring member fixed to a blocking portion, the blocking portion positioned proximate an aperture defined by the wall and movable between a blocking position and a non-blocking position, the blocking portion extending through the aperture while in the blocking position;

the retention mechanism further comprising an elongate sliding member extending
25 along an exterior surface of the wall and slidable therealong, the elongate member having

opposing ends with a thumb receiving portion at a rearward end thereof and a protrusion that engages structure on the spring member positioned intermediate a forward end and the rearward end of the spring member.

5 60. The holster of claim 59, wherein the blocking portion is configured so that the holster body applies a reactionary force to the blocking portion while rearward or pulling force are applied to cause rearward translation of the blocking portion, the reaction force and the rearward or pulling force acting to fix the position of the blocking portion.

10 61. The holster of claim 59, wherein:
 while the holster body is applying the reaction force to the blocking portion, the protrusion and structure produces bowing of the spring member when the elongate member is slid forwardly; and

 while the holster body is not applying the reaction force to the blocking portion, the
15 protrusion and structure produces cantilevered bending of the spring member when the elongate member is slid forwardly thereby moving the blocking member in an outward direction with respect to the holster body from the blocking position to the non-blocking position.

20 62. The holster of claim 61, wherein the outward direction is a portward direction that is generally perpendicular to the forward and rearward directions.

 63. The holster of claim 61, wherein the outward direction is a starboard direction that is generally perpendicular to the forward and rearward directions.

25

64. The holster of claim 59 wherein the elongate sliding member extends between an exterior surface of the one of the side wall portions and a belt or strap connector fixed to the one of the side wall portions.

5 65. A holster for receiving a handgun and an accessory attached to the handgun, the holster comprising:

a holster body comprising a wall defining an interior, the wall of the holster body including a port side wall portion and a starboard side wall portion, each wall portion having an inwardly projecting rib, the inwardly projecting ribs dividing the interior into an upper
10 first cavity portion and a lower second cavity portion, the first cavity portion being dimensioned to receive a slide of the handgun in a spaced relationship from three sides thereof, the second cavity portion being dimensioned to receive the accessory, the holster body configured such that a conforming engagement is formed between the accessory and the
15 handgun with the accessory mounted thereto is inserted into the holster body, the accessory is engaged by the inwardly projecting ribs and an upwardly facing surface of the wall that engages a downwardly facing surface of the accessory; and

a retention mechanism supported by the wall of the holster body, the retention mechanism comprising a spring member, the spring member being secured with respect to
20 the wall at a first end thereof, the spring member extending rearwardly along an exterior surface of the wall, the second end of the spring member fixed to a blocking portion, the blocking portion positioned proximate an aperture defined by the wall and movable between a blocking position and a non-blocking position with respect to wall, the blocking portion extending through the aperture while in the blocking position.

25

66. The holster of claim 65 wherein the retention mechanism further comprises an elongate sliding member extending along an exterior surface of the one of the side wall portions and slidable therealong, the elongate member extending between the one of the side wall portions and a belt or strap connector fixed to the one of the side wall portions.

5

67. The holster of claim 67 wherein the elongate sliding member has forward and rearward ends with a thumb receiving portion at the rearward end thereof and a protrusion that engages structure on the spring member positioned intermediate the forward end and the rearward end.

10

68. The holster of claim 65, wherein the holster body defines a stop projection extending from the body into the cavity and positioned to engage a forward facing surface of the accessory when the accessory and handgun attached thereto are holstered.

15

69. The holster of claim 65, further comprising a starboard shelf extending into the cavity from the starboard wall portion, the starboard shelf having a rearward facing starboard stop surface.

20

70. The holster of claim 65, further comprising a port shelf extending into the cavity from the port wall portion, the port shelf having a rearward facing port stop surface.

71. A holster for receiving a handgun and an accessory attached to the handgun, the holster comprising:

a holster body comprising a wall defining a cavity, the wall of the holster body comprising a port side wall portion supporting a port rib, the port rib extending in a starboard

direction away from the port side wall portion and into the cavity, the wall of the holster body comprising starboard side wall portion supporting a starboard rib, the starboard rib extending in a port direction away from the starboard side wall portion and into the cavity, the port rib and the starboard rib dividing the cavity into an upper first cavity portion and a lower second
5 cavity portion, the second cavity portion being dimensioned to receive the accessory while the accessory is fixed to a selected handgun and the first cavity portion being dimensioned to receive the selected handgun in a spaced relationship from three sides;

the second cavity portion being defined by a first concave surface of the wall and a second concave surface of the wall, the first concave surface being configured to mate with a
10 first convex surface of the accessory and the second concave surface being configured to mate with a second convex surface of the accessory when the accessory is received in the second cavity portion;

the starboard rib defining a first groove and the port rib defining a second groove, the first groove being configured to receive a first corner of the accessory and the second groove
15 being configured to receive a second corner of the accessory when the accessory is received in the second cavity portion; and

a retention mechanism supported by the wall of the holster body, the retention mechanism comprising a spring member, the spring member being secured with respect to the wall at a first end thereof, the spring member extending rearwardly along an exterior
20 surface of the wall, the second end of the spring member fixed to a blocking portion, the blocking portion positioned proximate an aperture defined by the wall and movable between a blocking position and a non-blocking position with respect to wall, the blocking portion extending through the aperture while in the blocking position.

72. The holster of claim 71 wherein the retention mechanism further comprises an elongate sliding member extending along an exterior surface of the one of the side wall portions and slidable therealong, the elongate member extending between the one of the side wall portions and a belt or strap connector fixed to the one of the side wall portions.

5

73. The holster of claim 72 wherein the elongate sliding member has forward and rearward ends with a thumb receiving portion at the rearward end thereof and a protrusion that engages structure on the spring member positioned intermediate the forward end and the rearward end.

10

74. The holster of claim 71, wherein the holster body defines a stop projection extending from the body into the cavity and positioned to engage a forward facing surface of the accessory when the accessory and handgun attached thereto are holstered.

15

75. The holster of claim 71, further comprising a starboard shelf extending into the cavity from the starboard wall portion, the starboard shelf having a rearward facing starboard stop surface.

20

76. The holster of claim 71, further comprising a port shelf extending into the cavity from the port wall portion, the port shelf having a rearward facing port stop surface.

25

77. A holster, handgun, and accessory combination, the accessory attached to a rail of the handgun, the rail positioned below the barrel of the handgun, the holster comprising a pair of side wall portions formed of a polymer and being unitary with one another and joined at a top and bottom of the side wall portions, the side wall portions defining a slot configured

for capturing and engaging the accessory when the handgun with accessory is inserted into the holster, the holster and accessory engagement constraining all freedom of motion of the accessory except freedom of motion in the insertion and withdrawal direction along a forward rearward axis of the handgun, the holster further providing stop portion whereby the accessory
5 seats in the slot it abuts the stop portion, wherein when the accessory is seated in the slot abutting the stop portion, the only freedom of motion of the accessory with respect to the holster is a linear withdrawal motion, the holster further comprising a spring member configured as a leaf spring, the leaf spring movable between an accessory block position and an accessory non block position, the leaf spring deflectable to the non block position by engagement with the
10 accessory upon insertion of the handgun and accessory into the holster, as the handgun and accessory are seated in the holster the spring member returns to the blocking position with a blocking portion of the spring member blocks the handgun from withdrawal thereby restricting any movement of the seated handgun and accessory with respect to the holster.

15 78. The holster, handgun, and accessory combination of claim 77 wherein the leaf spring is further deflectable from the blocking position to a non-blocking position by way of a thumb push button.

 79. The holster, handgun, and accessory combination of claim 77 wherein the
20 accessory being one of a camera, a flashlight, a laser aiming device, and an interface-only dummy accessory.

 80. The holster system of any of the above claims, in combination with a handgun having a rail positioned below a barrel of the handgun, the rail having two opposing laterally

extending side rail portions, each side rail portion having surfaces arranged at or about 90 degrees, defining a corner, the corner having an apex pointing laterally outward.

81. The holster system of claim 80 where in the rail is in conformance with
5 Military Standard Mil-std-1913 dated 3-February-1995, and the accessory is attached to the rail, the handgun and accessory holstered in the holster, the accessory form fit to the second cavity portion.

82. The holster system of claim 80, wherein the accessory having a maximum
10 width less than a maximum width of the handgun.

83. The holster system of claim 92, wherein the accessory having a maximum
height dimension, and wherein the accessory maximum height dimension is less than the height of the forward barrel, slide, rail portion of the handgun to which it is attached.
15

84. The holster system of claim 93, wherein the accessory maximum height
dimension is less than 30% of the height of the forward barrel, slide, rail portion of the handgun to which it is attached.

20 85. The holster system of claim 90, wherein the accessory having a maximum height dimension, and wherein the accessory maximum height dimension is less than the height of the trigger guard of the handgun to which it is attached.

86. The holster system of claim 90, wherein the accessory having a maximum height dimension, and wherein the accessory maximum height dimension is 30% or less than the height of the trigger guard of the handgun to which it is attached.

5 87. The holster system of claim 92 or 93, wherein the accessory having a maximum height dimension, and wherein the accessory maximum height dimension is 30% or less than the height of the trigger guard of the handgun to which it is attached.

88. A method of operating a handgun holster system, the method comprising:
10 attaching an accessory to a rail of the handgun, the rail positioned below the barrel of the handgun;

inserting the handgun with the attached accessory into a slot defined by structure in a holster, the holster extending entirely around the slot,

deflecting the stop portion of a leaf spring with a forward surface or edge of the
15 accessory during the insertion for the handgun with the attached accessory such that a stop portion moves from a blocking position to a non-blocking position,

seating the accessory in the slot by engaging the accessory with a stop portion of the holster whereby the stop portion moves to a blocking position securing the accessory in the slot and securing the handgun in the holster.

20

89. The method of claim 88 wherein the holster is form fit to the accessory to capture and constrains the holster accessory combination by exclusively or primarily capturing the accessory.

90. The method of claim 89 further comprising moving the accessory to from the rail of the handgun to a rail of another handgun, the another handgun having a different configuration, and inserting and seating the another handgun in the holster.

5 91. The method of any of claim 88 to claim 90 further comprising pulling rearwardly on the handgun without moving the stop portion to the non-blocking position whereby the spot portion is locked in place precluding the stop portion from moving to the non-blocking position while the handgun is being pulled rearwardly.

10 92. A holster system for receiving and releasably retaining differently configured handguns, each of the differently configured handguns having a mounting rail positioned below barrels of the differently configured handgun, the holster system comprising:

an accessory configured to be fixed to the mounting rail of the differently configured handguns, the accessory having a body with an upper clamp sized to grip the mounting rail,
15 the upper clamp having a pair of shoulders, each shoulder with an upwardly facing surface, the body further having a lower most downwardly facing surface below the shoulders;

a holster body having a forward end and a rearward end, the holster body comprising a pair of opposing side wall portions defining a cavity with an open rearward end, the holster body having a handgun receiving and withdrawal axis extending forwardly and rearwardly,
20 the holster body further having a pair of opposing ribs projecting inwardly from each of the opposing side wall portions, the ribs extending forwardly and rearwardly and defining a lower accessory receiving pocket in the cavity, the lower accessory receiving pocket sized for a conforming fit with the accessory including engagement of the holster body with the pair of shoulders with the pair of ribs;

a retention mechanism supported by the wall of the holster body, the retention mechanism comprising an elongate spring member extending rearwardly and having a blocking portion at the rearward end of the elongate spring member, the blocking portion movable in a direction transverse to the handgun receiving and withdrawal axis between a blocking position and a non-blocking position with respect to the accessory such that when the accessory is mounted on one of the differently configured handguns the accessory and handgun attached thereto is retained in the accessory receiving pocket when the blocking portion is in the blocking position and the accessory and handgun attached thereto may be withdrawn from accessory receiving pocket when the blocking portion is in the non-blocking position, the blocking portion biased toward the blocking position and engageable with the accessory at a rearward face or corner of the accessory, the spring member and blocking portion movable rearwardly with respect to the holster body when a holstered accessory and handgun attached thereto is moved rearwardly in a withdrawal motion with respect to the holster body and the blocking portion is in the blocking position, whereby a rearward face of the blocking portion engages a portion of the holster body to at least inhibit the blocking portion from moving to the non-blocking position thereby retaining the handgun in the holster.

93. The holster system of claim 91, wherein the retention mechanism of the holster system further comprises a thumb actuated release actuation mechanism, the thumb actuated release actuation mechanism comprising an elongate sliding member extending along an exterior surface of one of the side wall portions, the elongate sliding member having a thumb receiving portion at a rearward end thereof, the elongate sliding member cooperating with the spring member to urge the blocking portion of the spring member to the non-blocking position when the thumb receiving portion is depressed.

94. The holster system of claim 93, wherein the elongate sliding member engages the spring member forwardly of the blocking portion and wherein when the handgun is moved rearwardly in a withdrawal motion with respect to the holster body and the blocking portion is in the blocking position depressing of the thumb receiving portion causes a bowing
5 of the spring member while retaining the blocking portion in the blocking position.

95. The holster system of claim 92, wherein the holster body defines a stop projection extending from the body into the cavity and positioned to engage a forward facing surface of the accessory when the accessory and handgun attached thereto are holstered.
10

96. The holster system of claim 92, wherein an end of the spring member opposite the blocking portion is secured to an exterior surface of one of the sidewall portions and the spring member extends along the exterior surface of the one of the sidewall portions, the blocking portion positioned at an aperture in the one of the sidewall portions and the blocking
15 portion extends into the interior cavity.

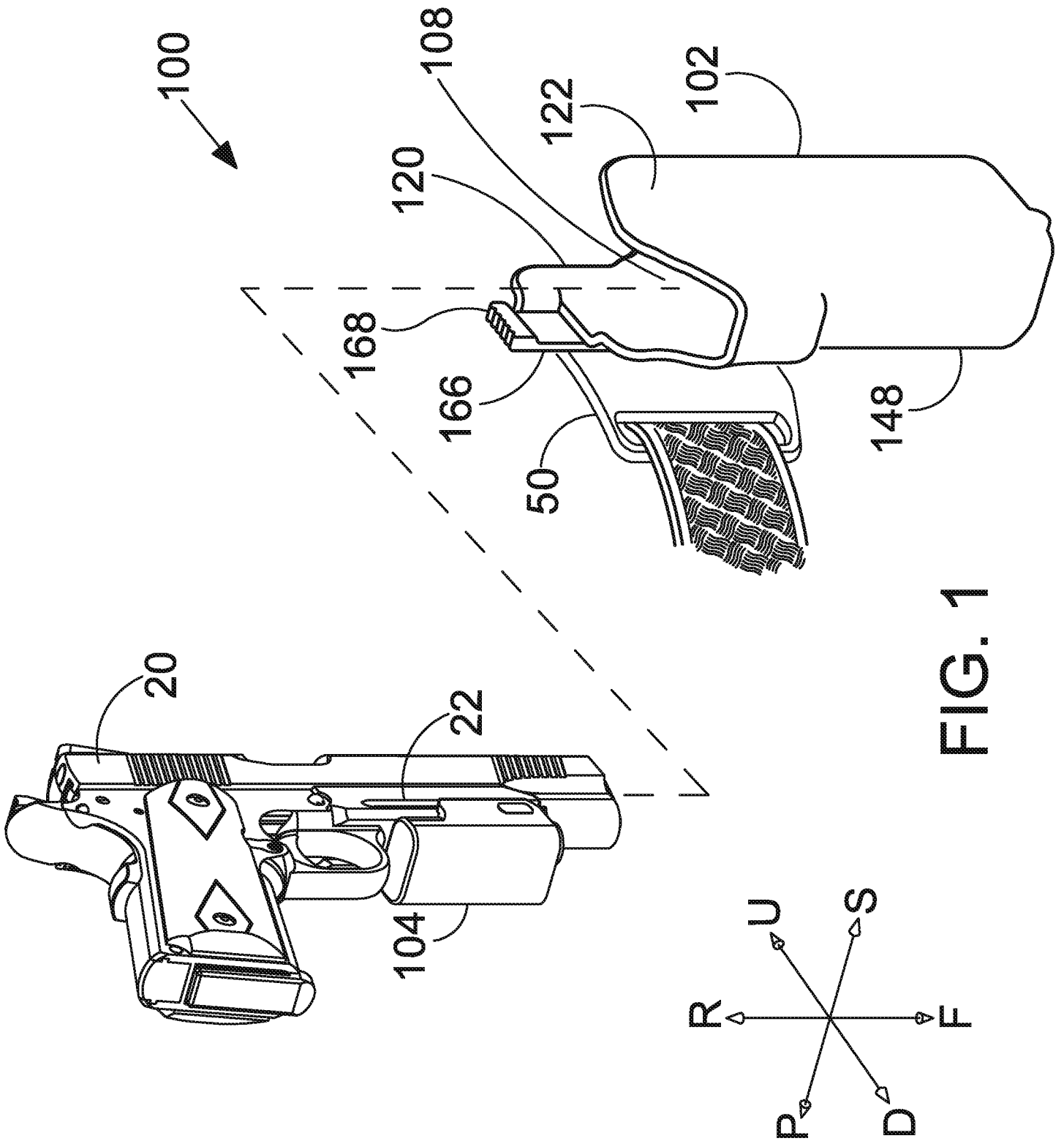


FIG. 1

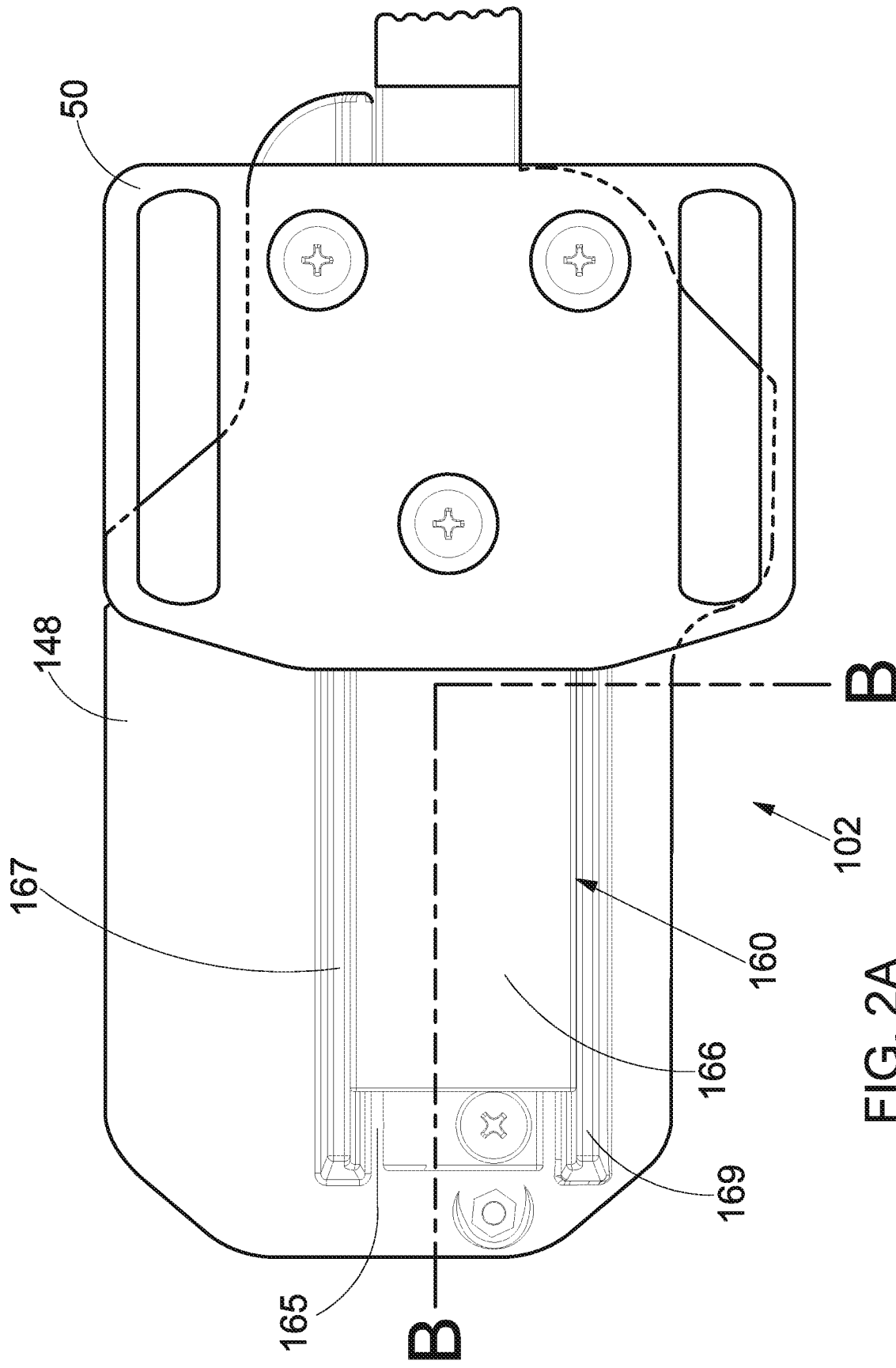


FIG. 2A

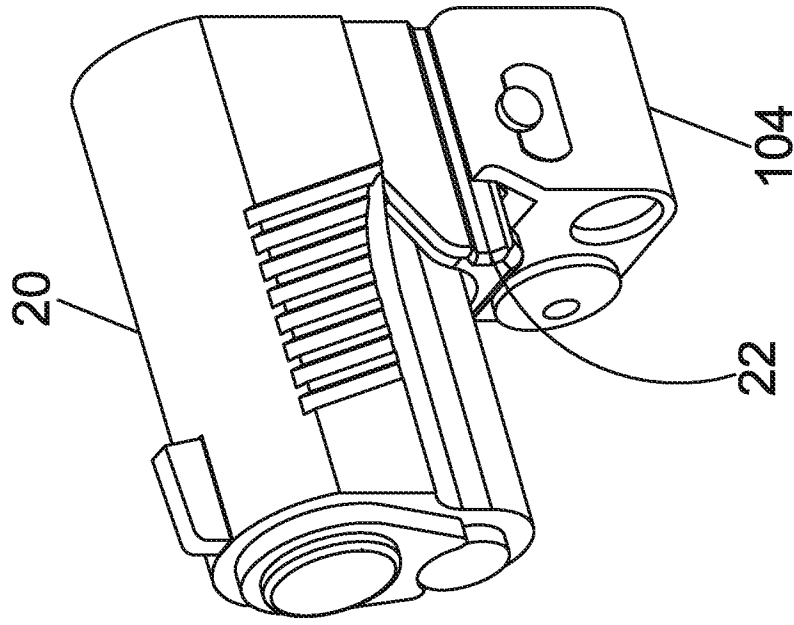


FIG. 2C

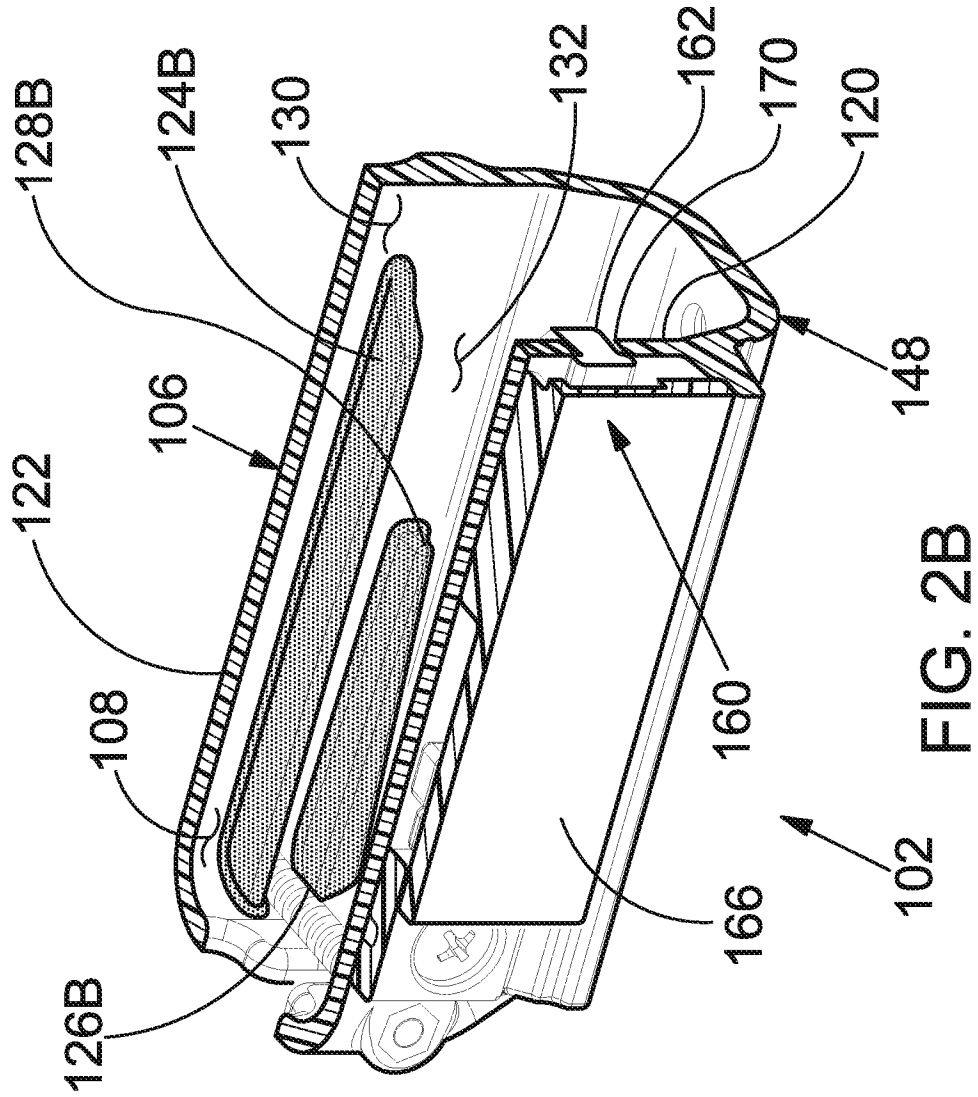


FIG. 2B

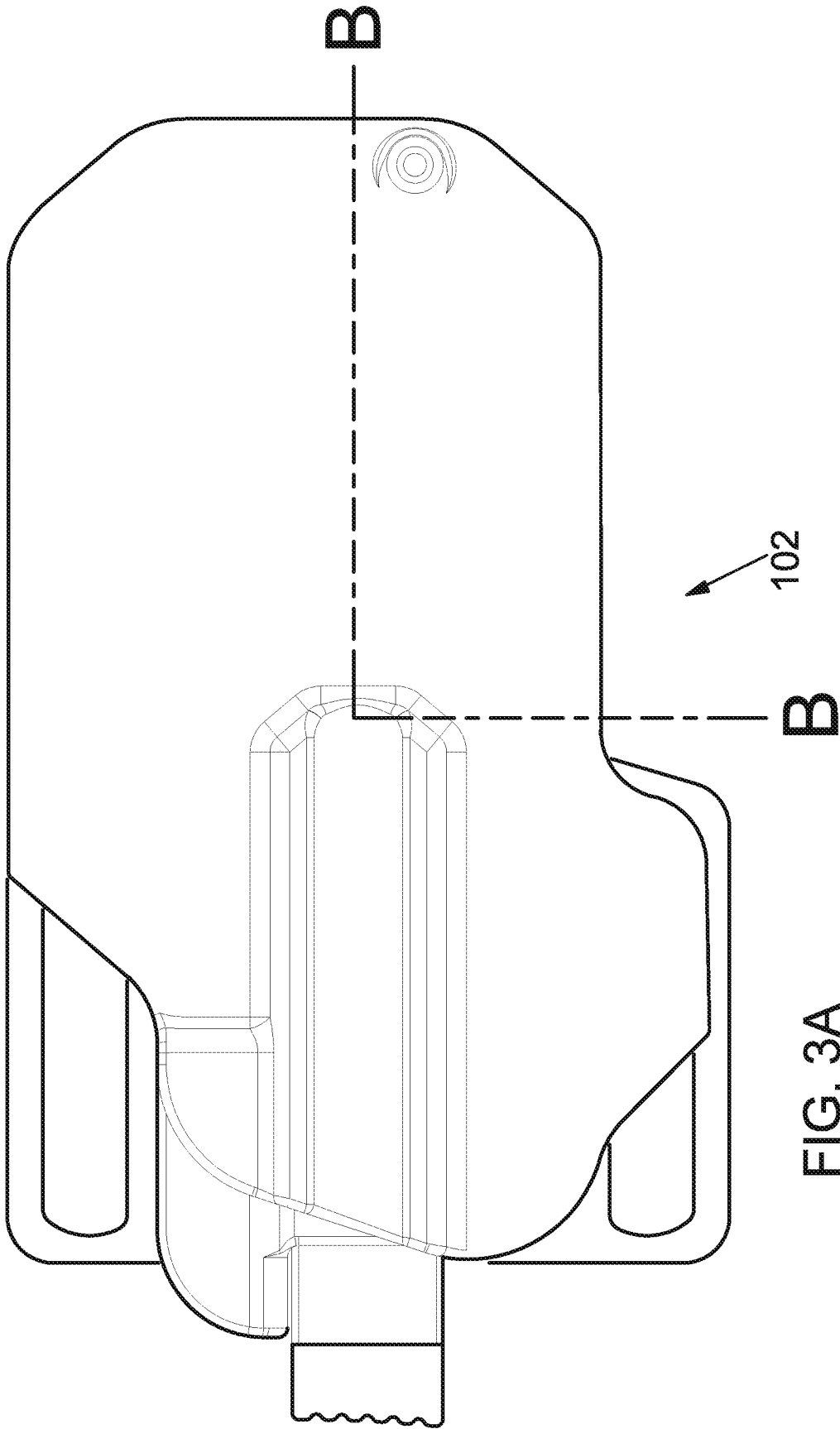


FIG. 3A

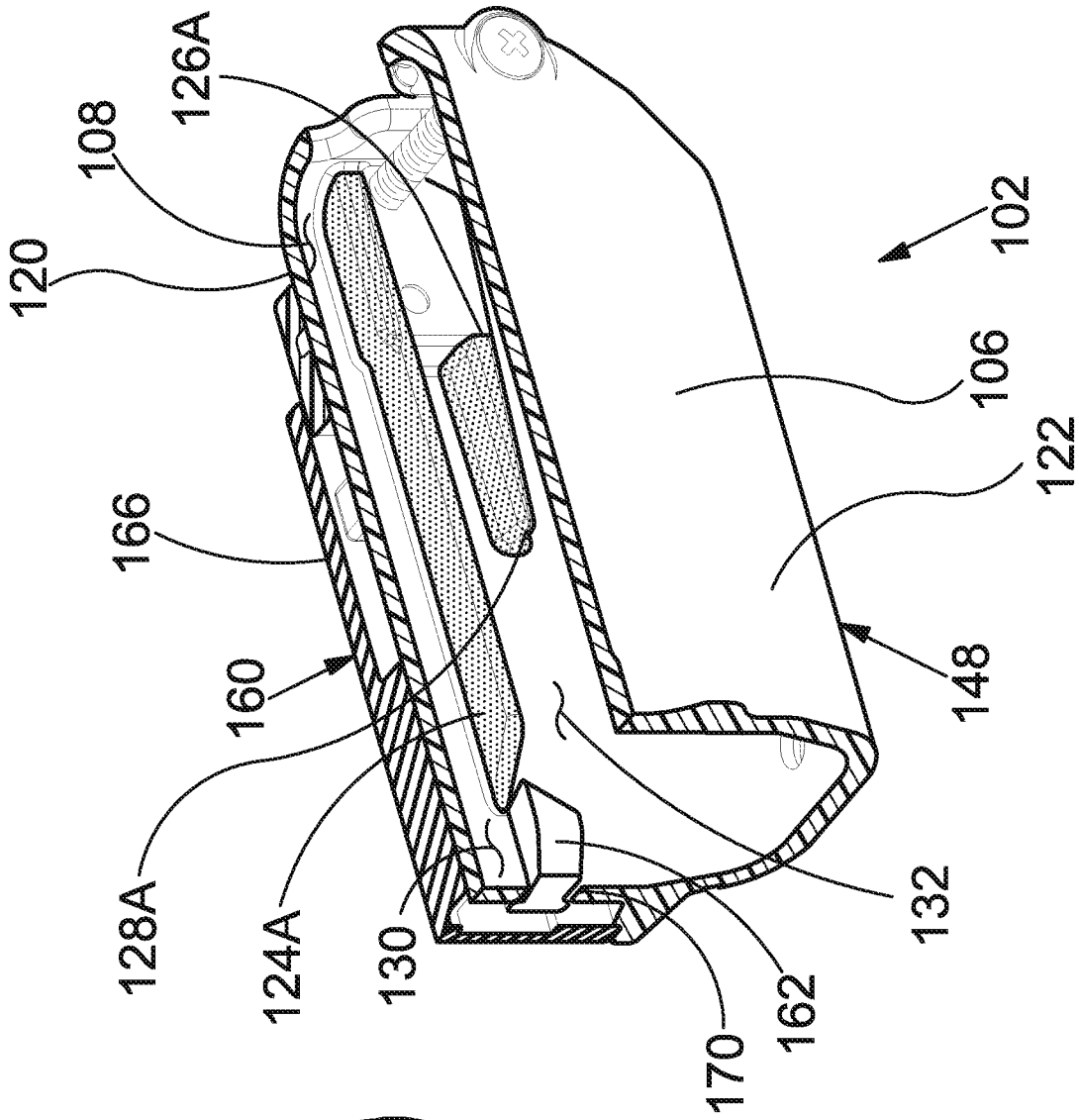


FIG. 3B

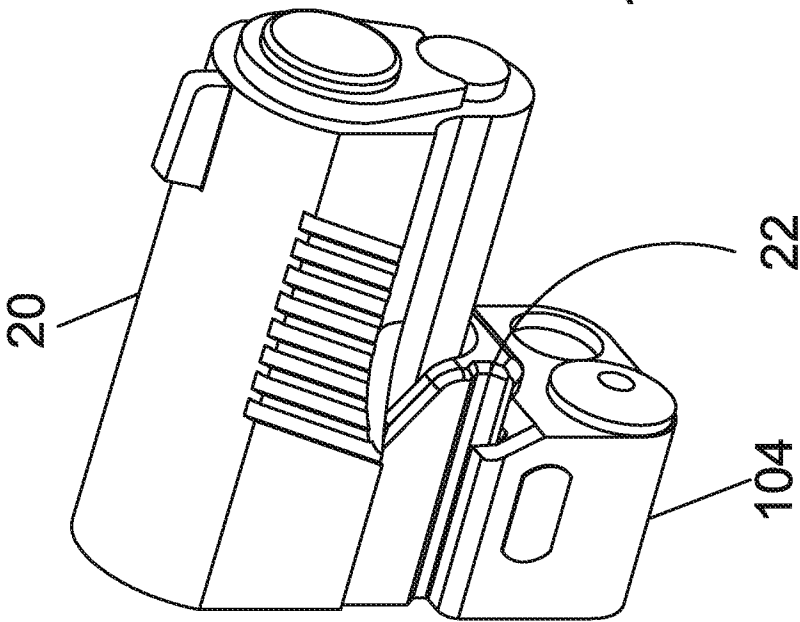


FIG. 3C

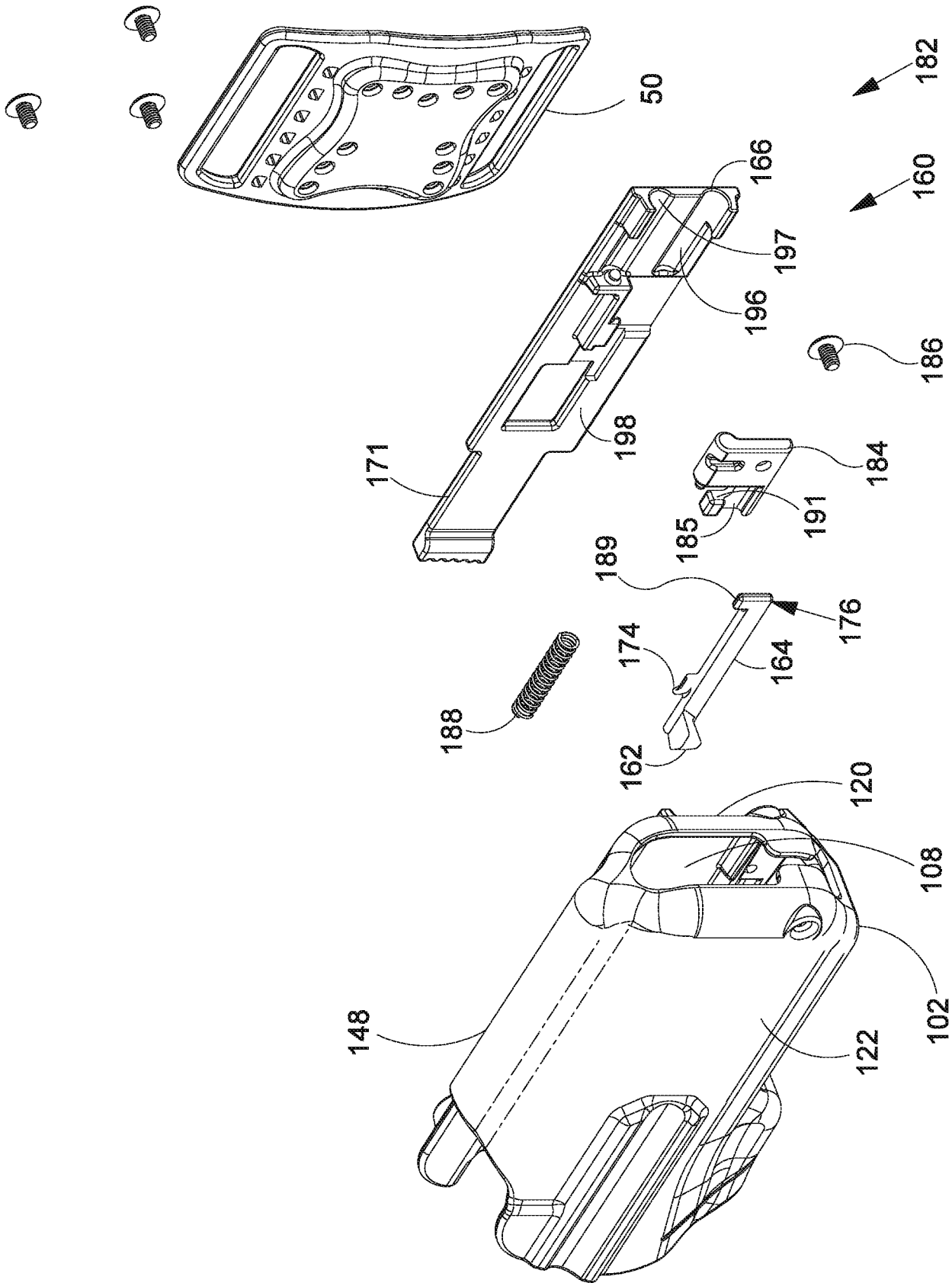


FIG. 5B

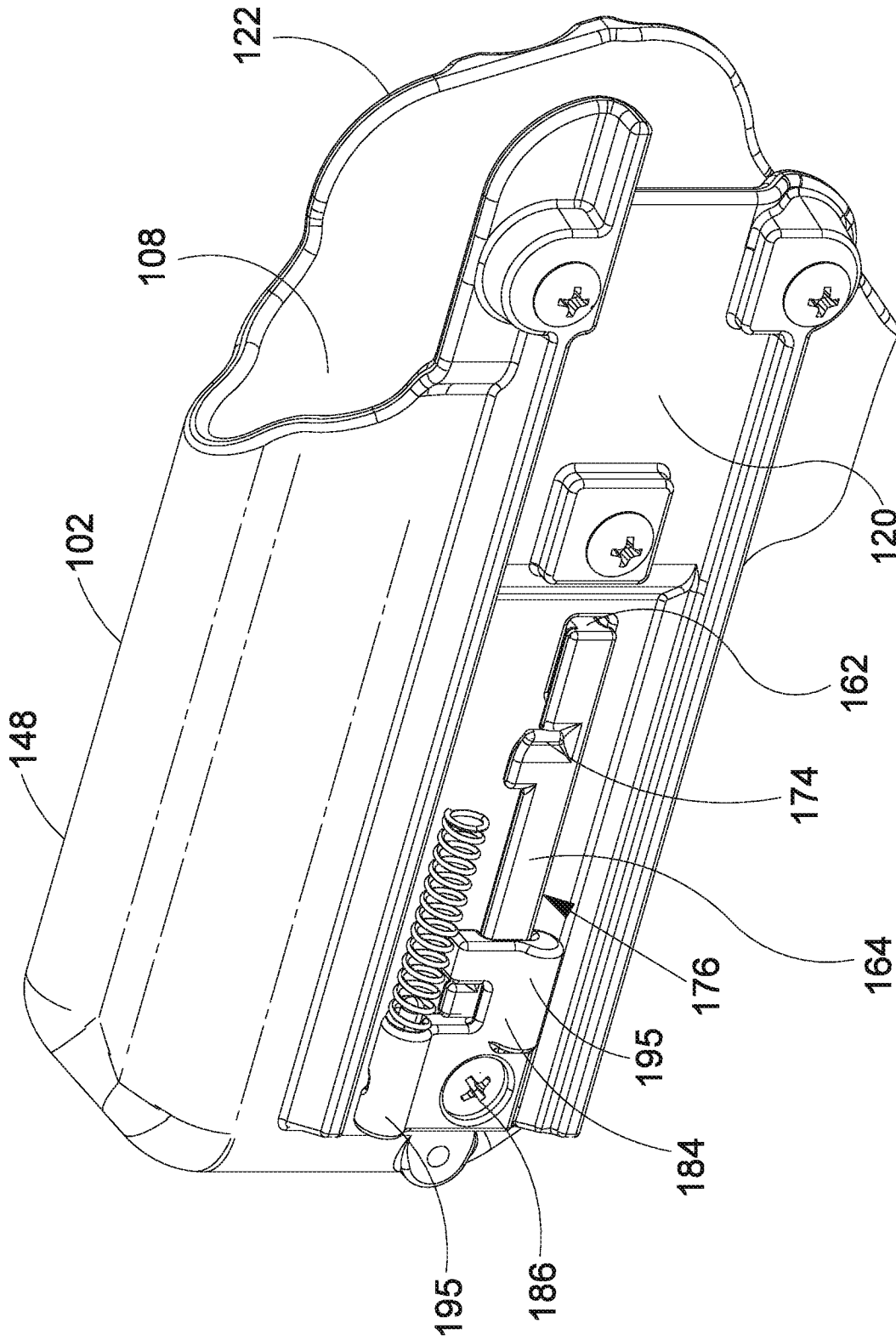


FIG. 5C

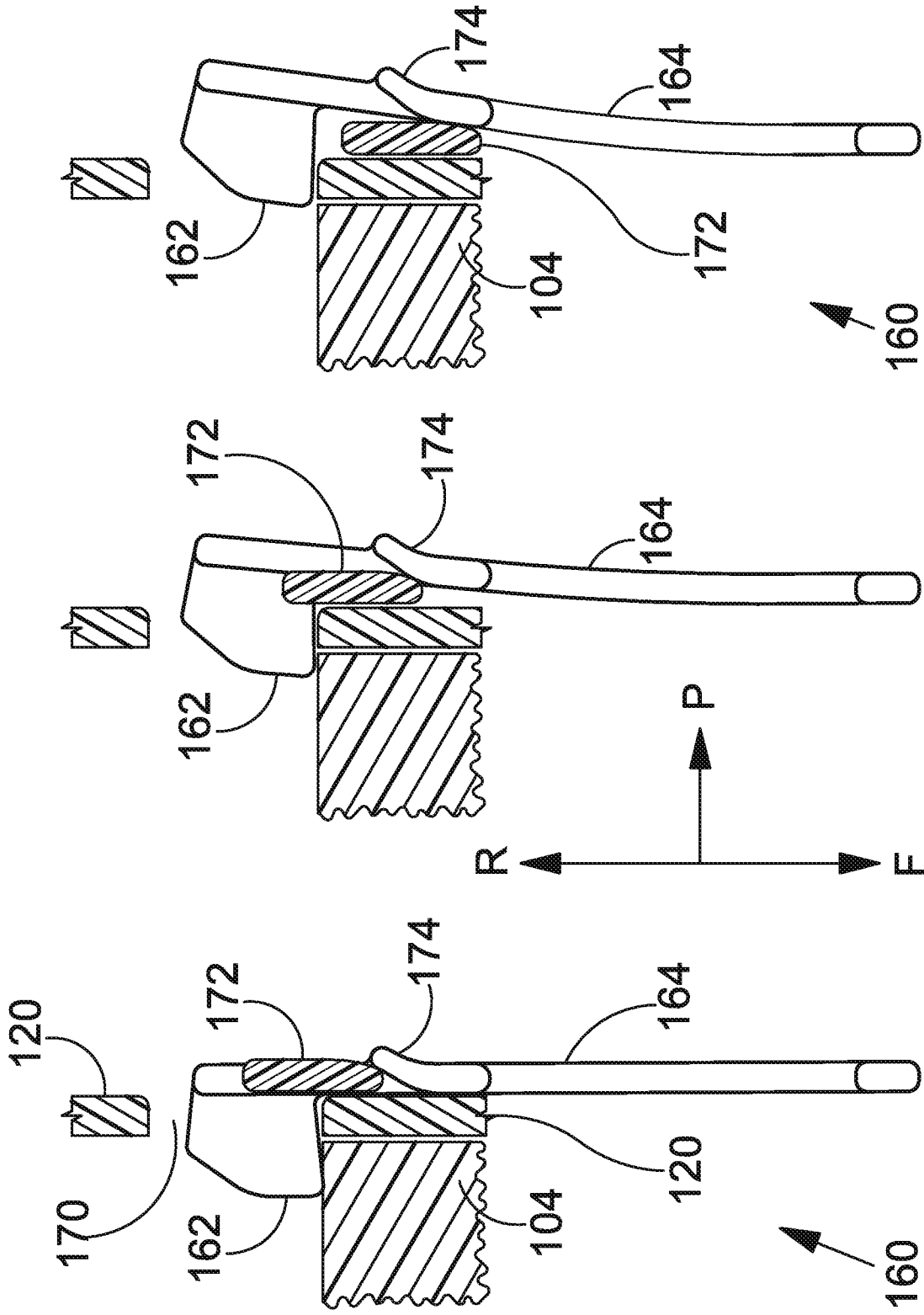


FIG. 6C

FIG. 6B

FIG. 6A

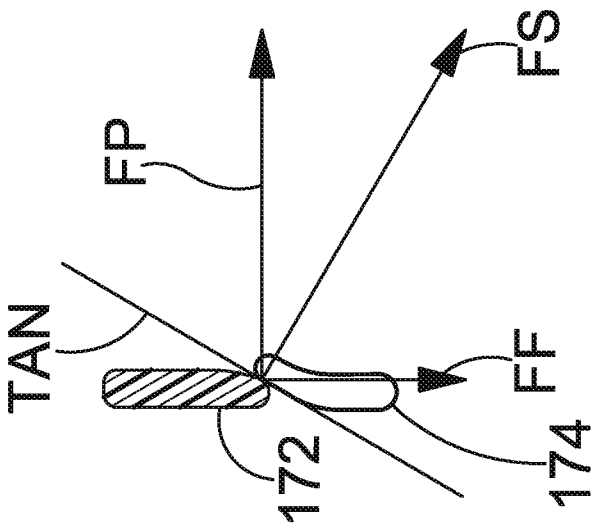


FIG. 7A

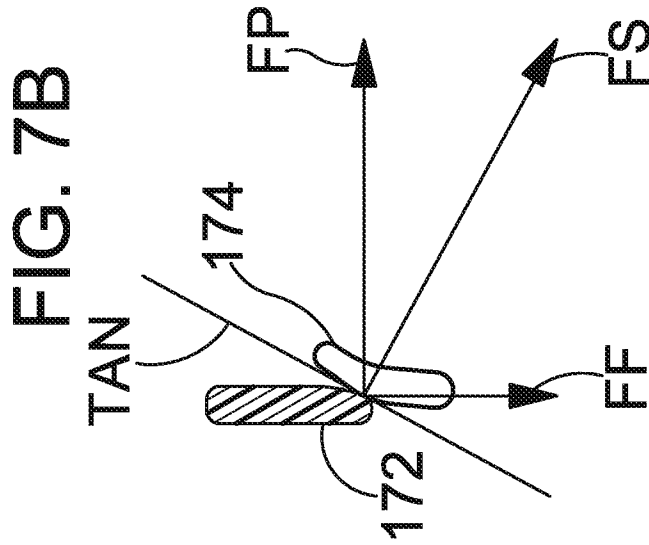


FIG. 7B

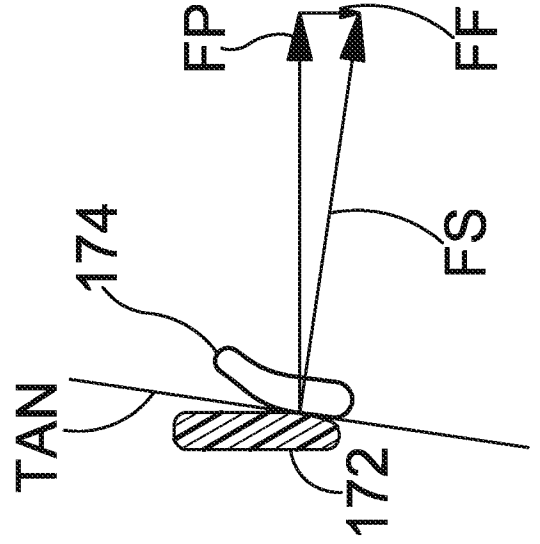


FIG. 7C

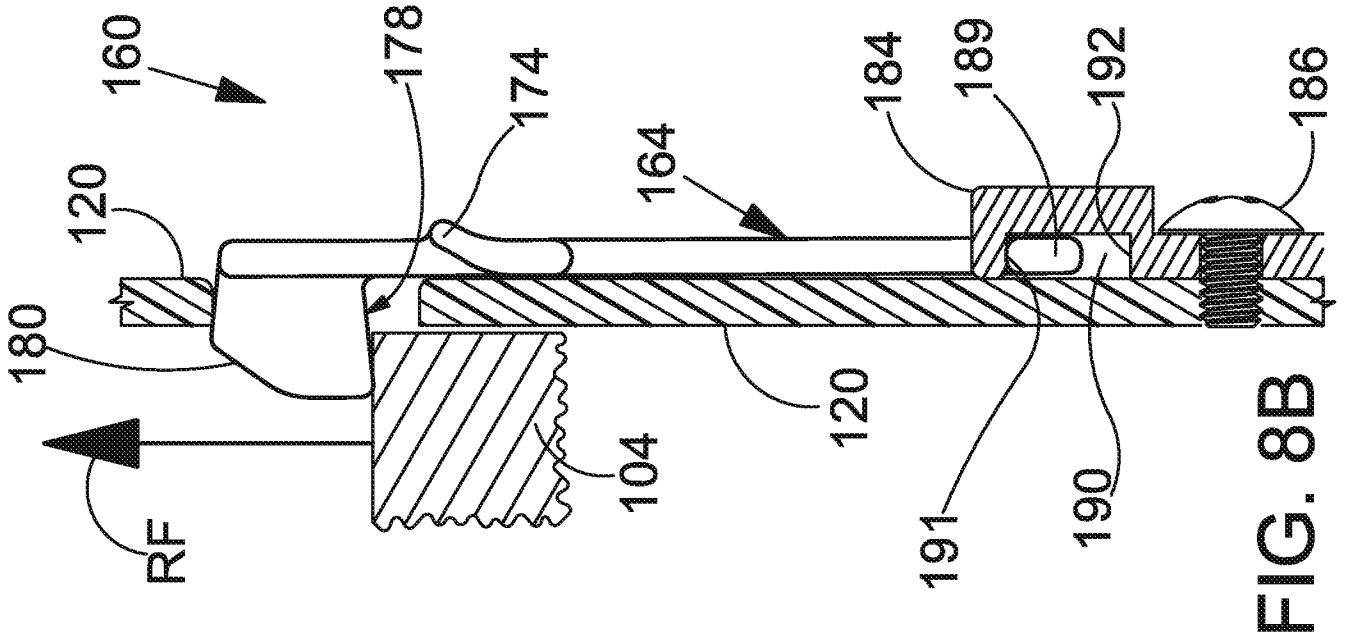


FIG. 8B

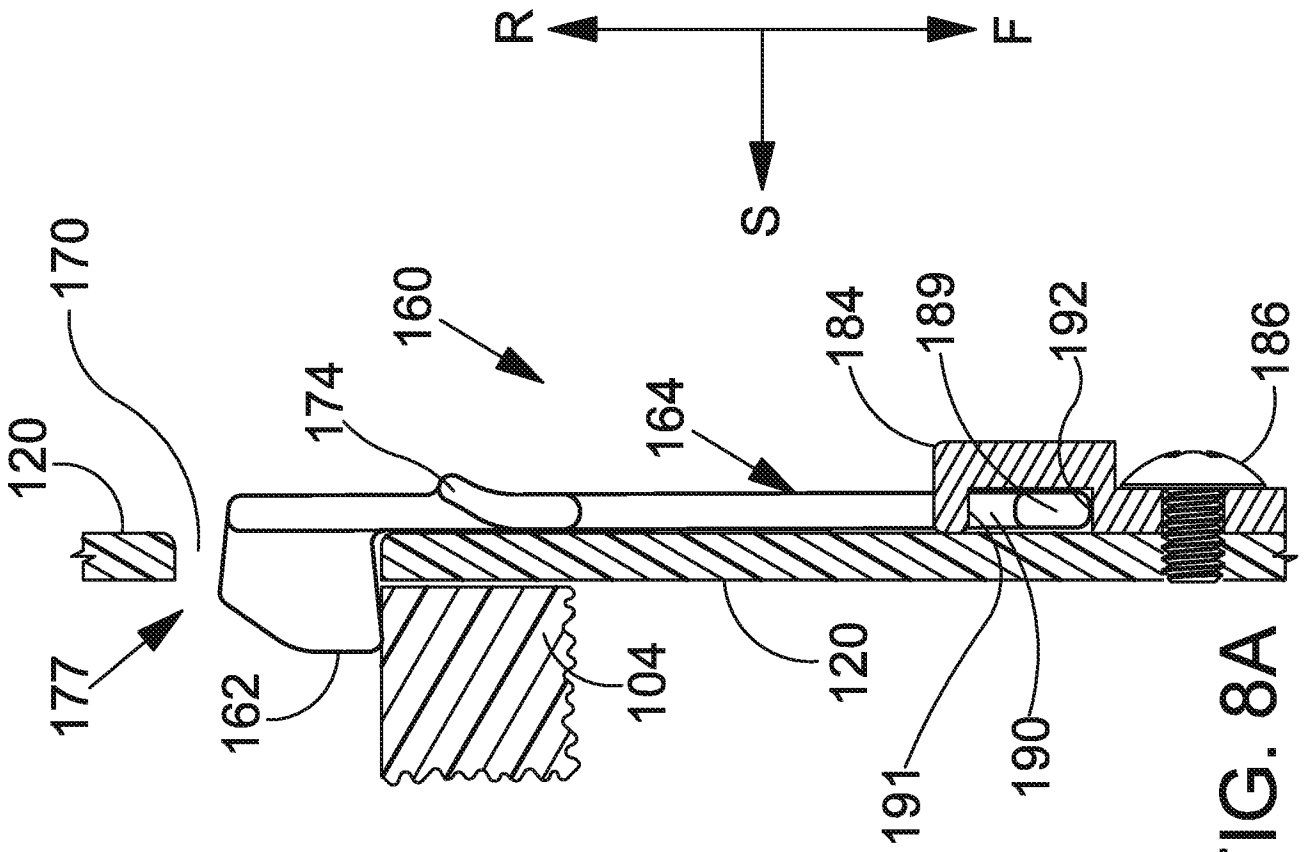


FIG. 8A

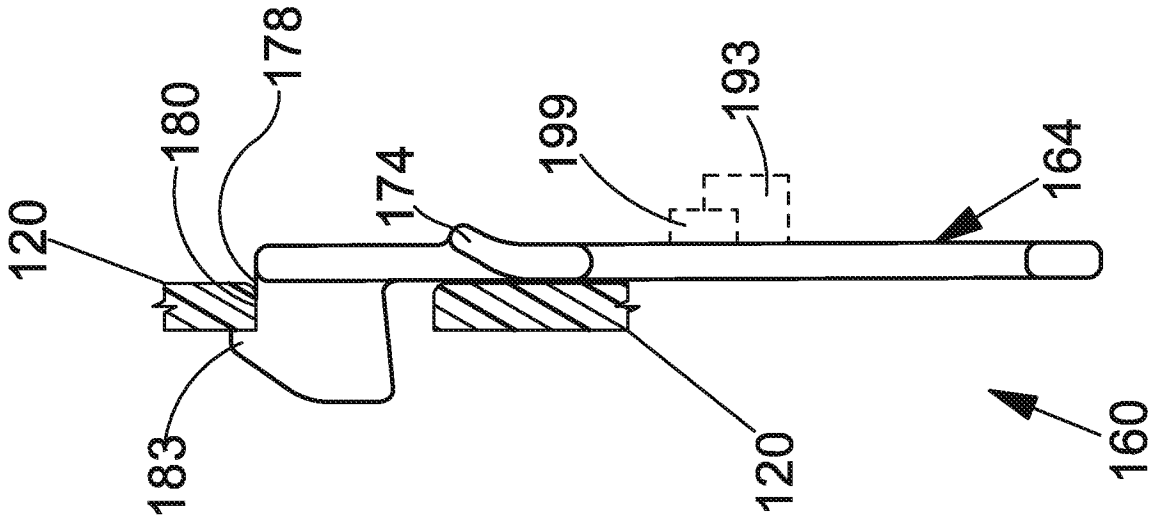


FIG. 8D

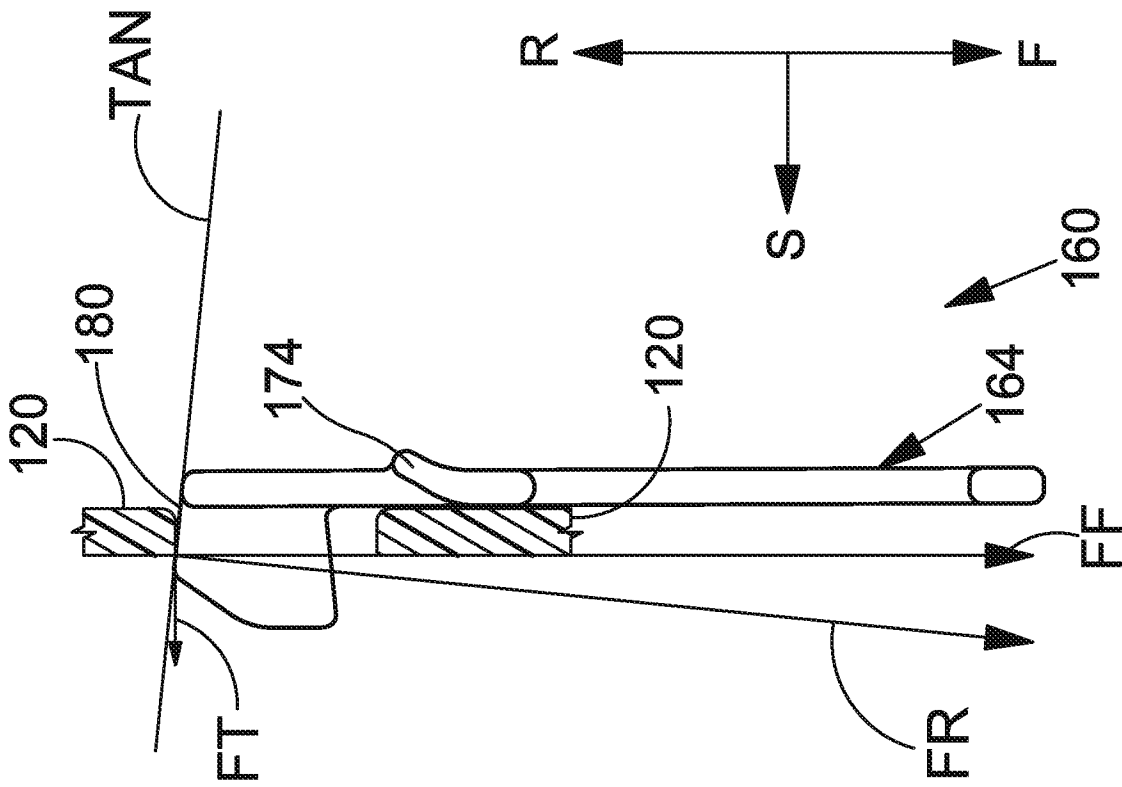


FIG. 8C

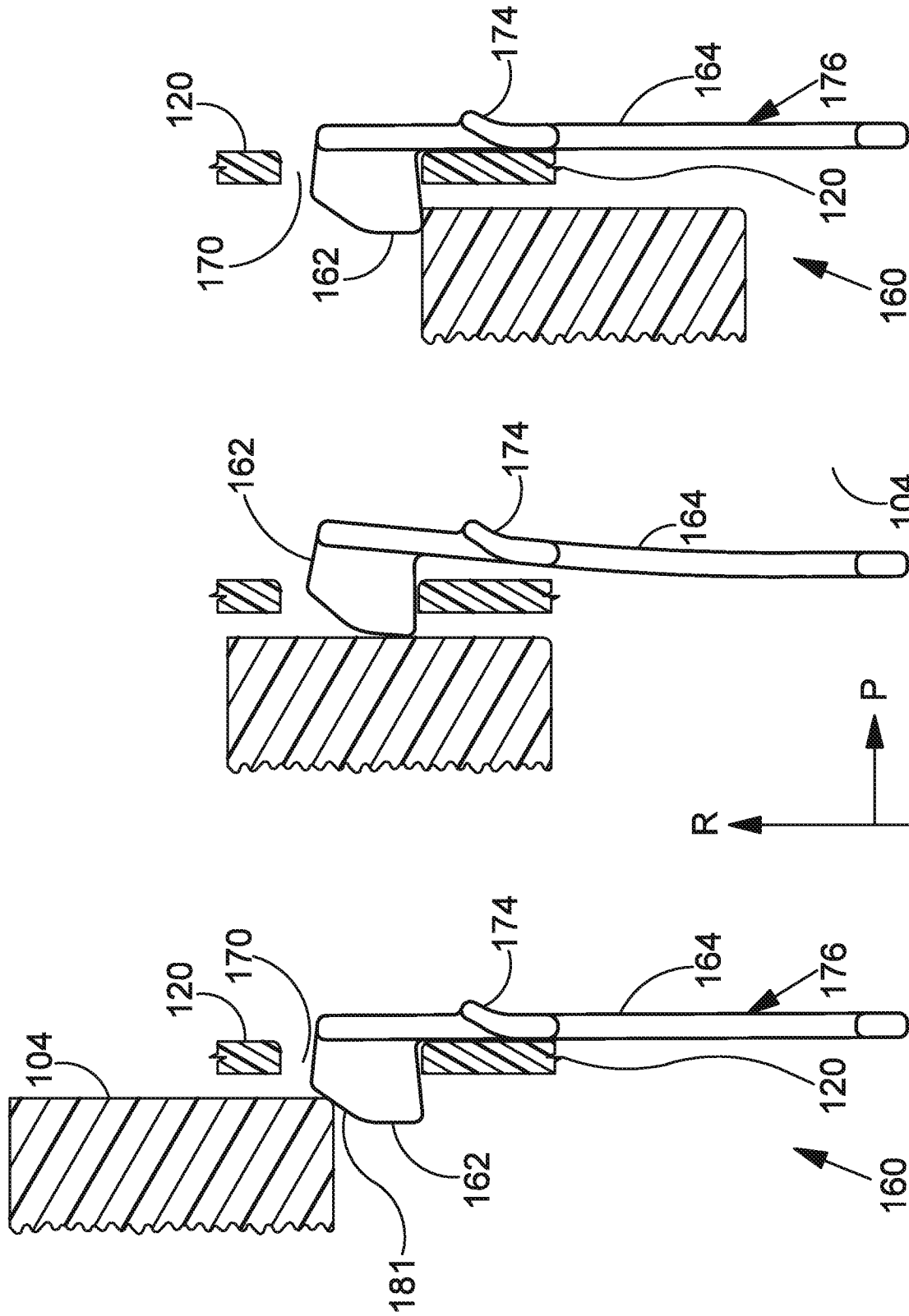


FIG. 9C

FIG. 9B

FIG. 9A

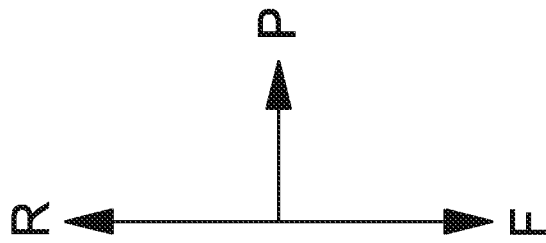
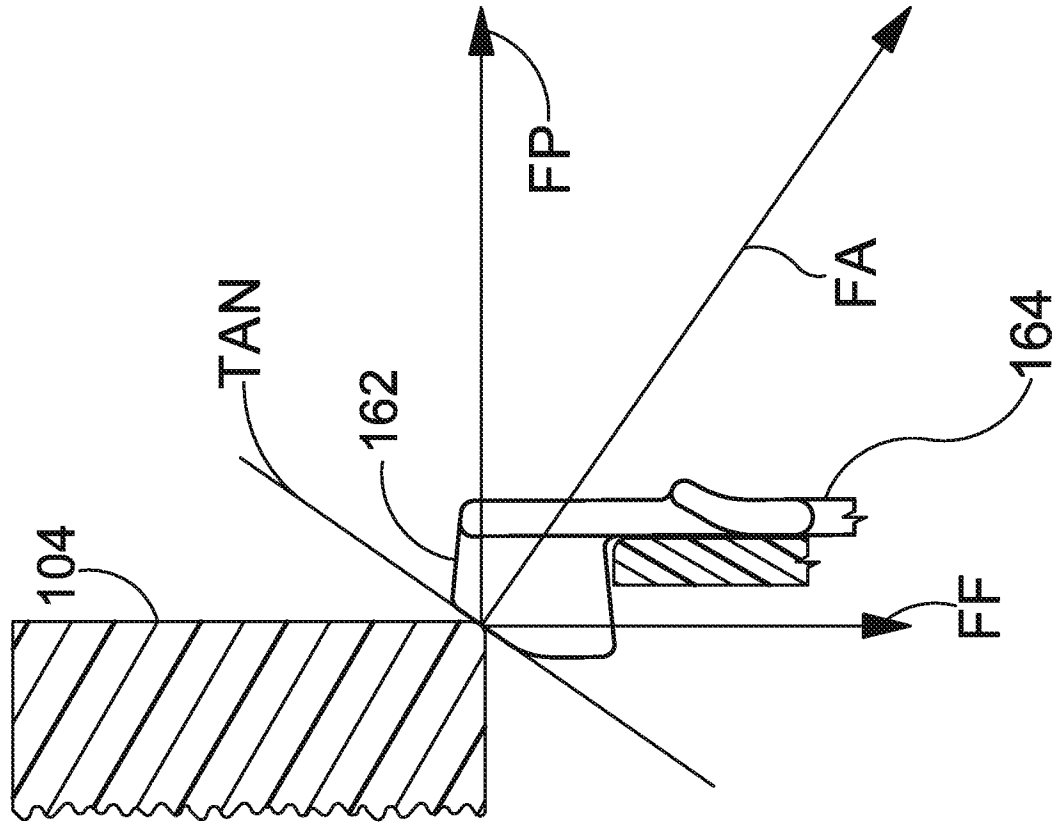


FIG. 10

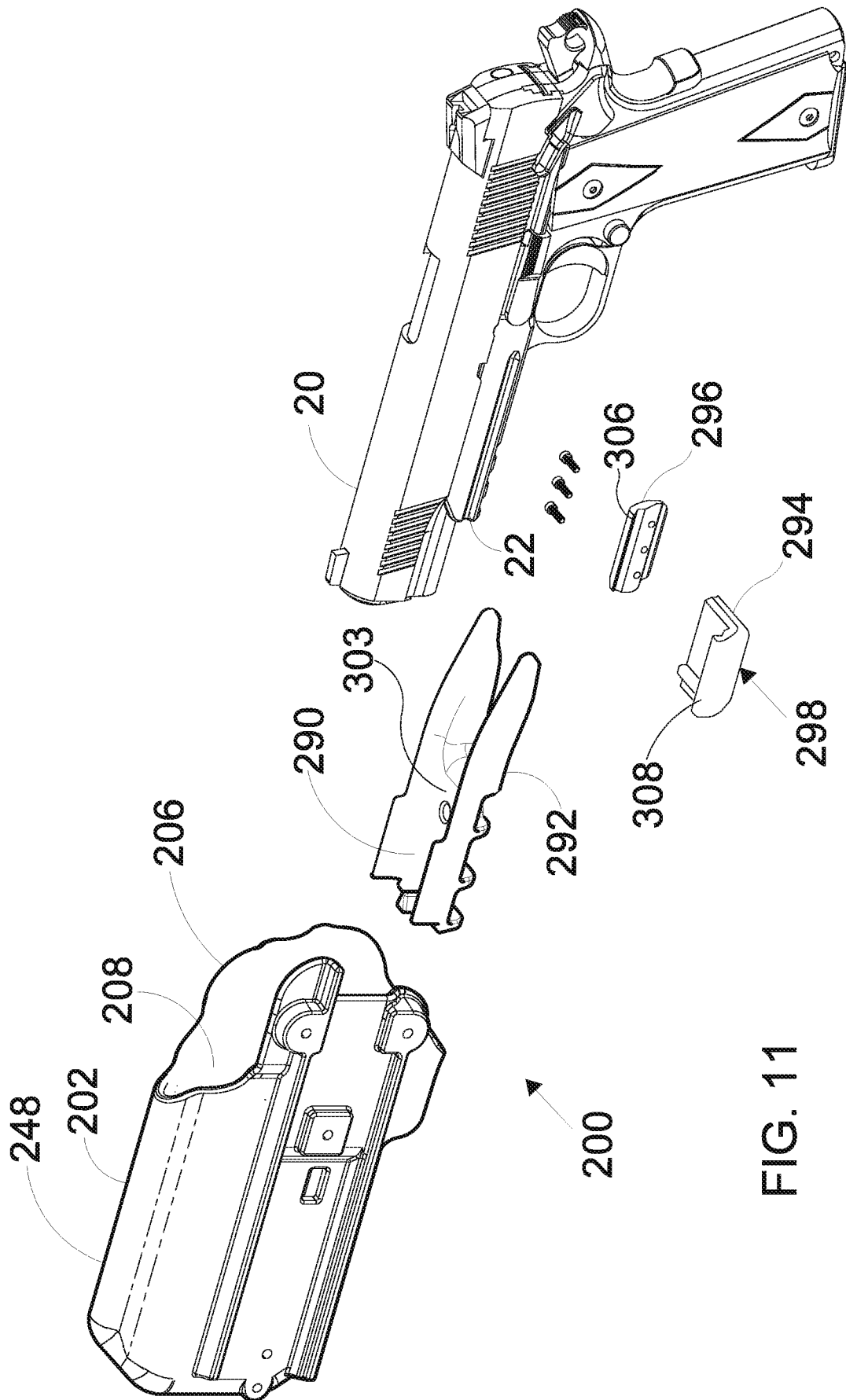


FIG. 11

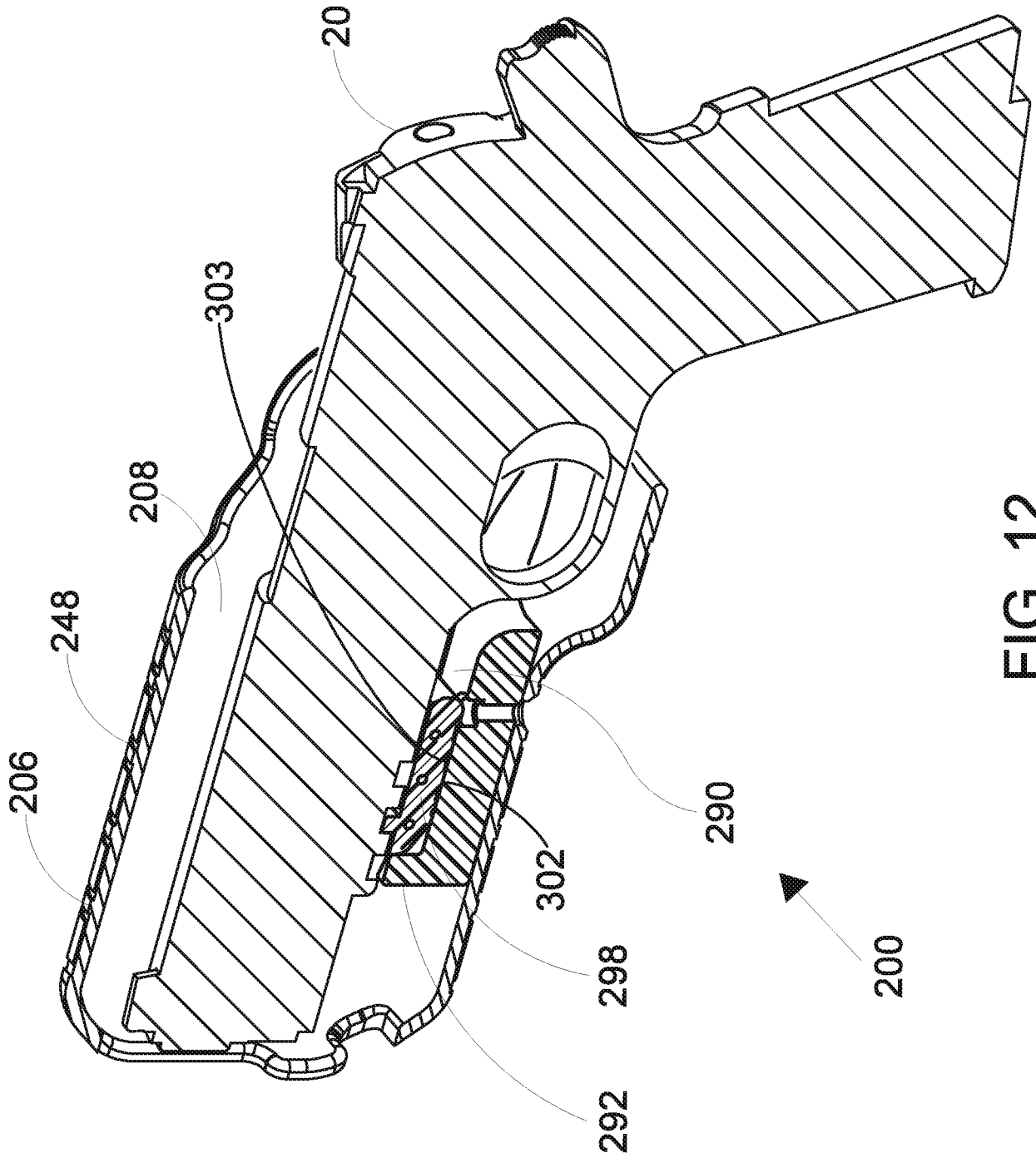
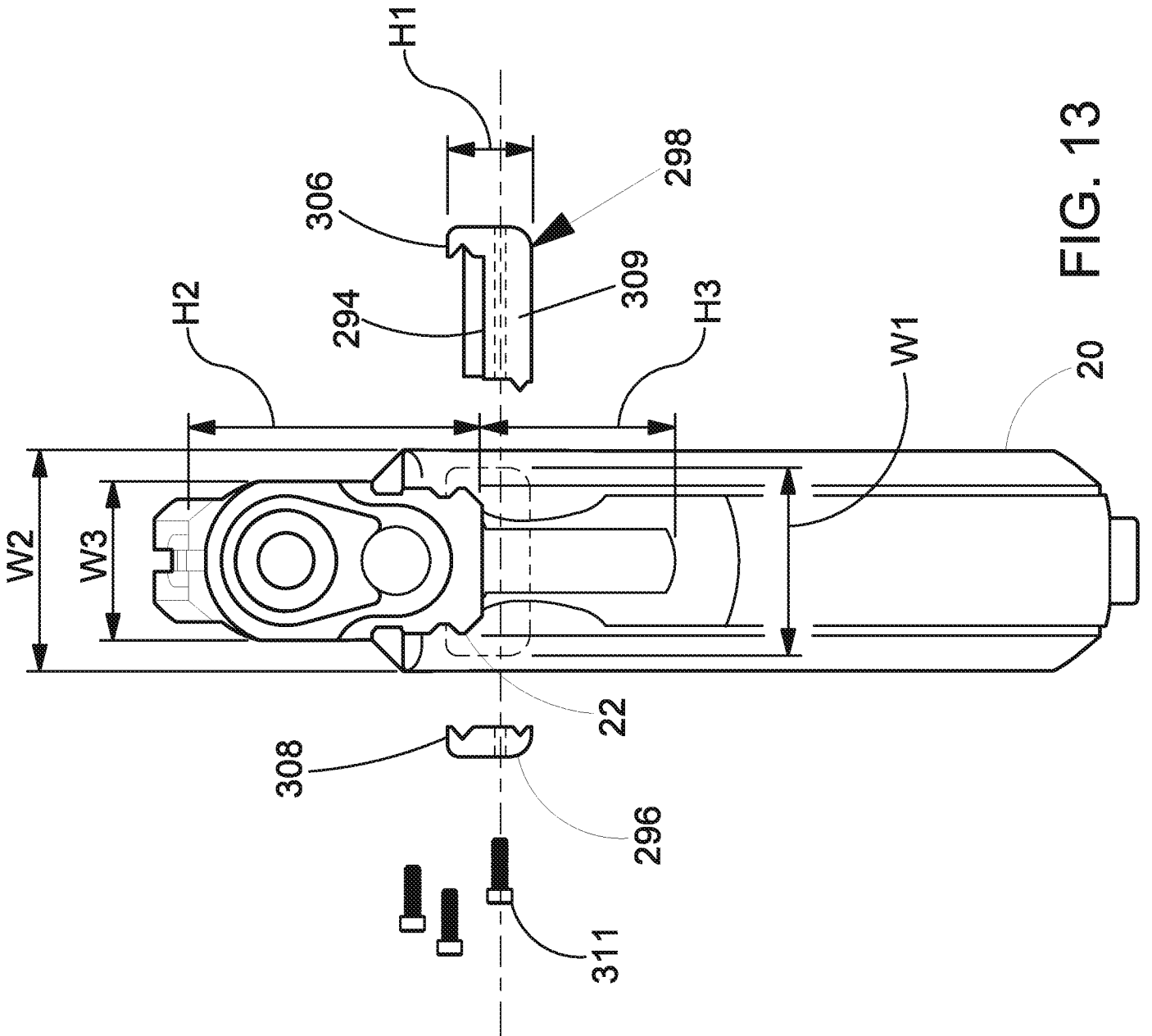
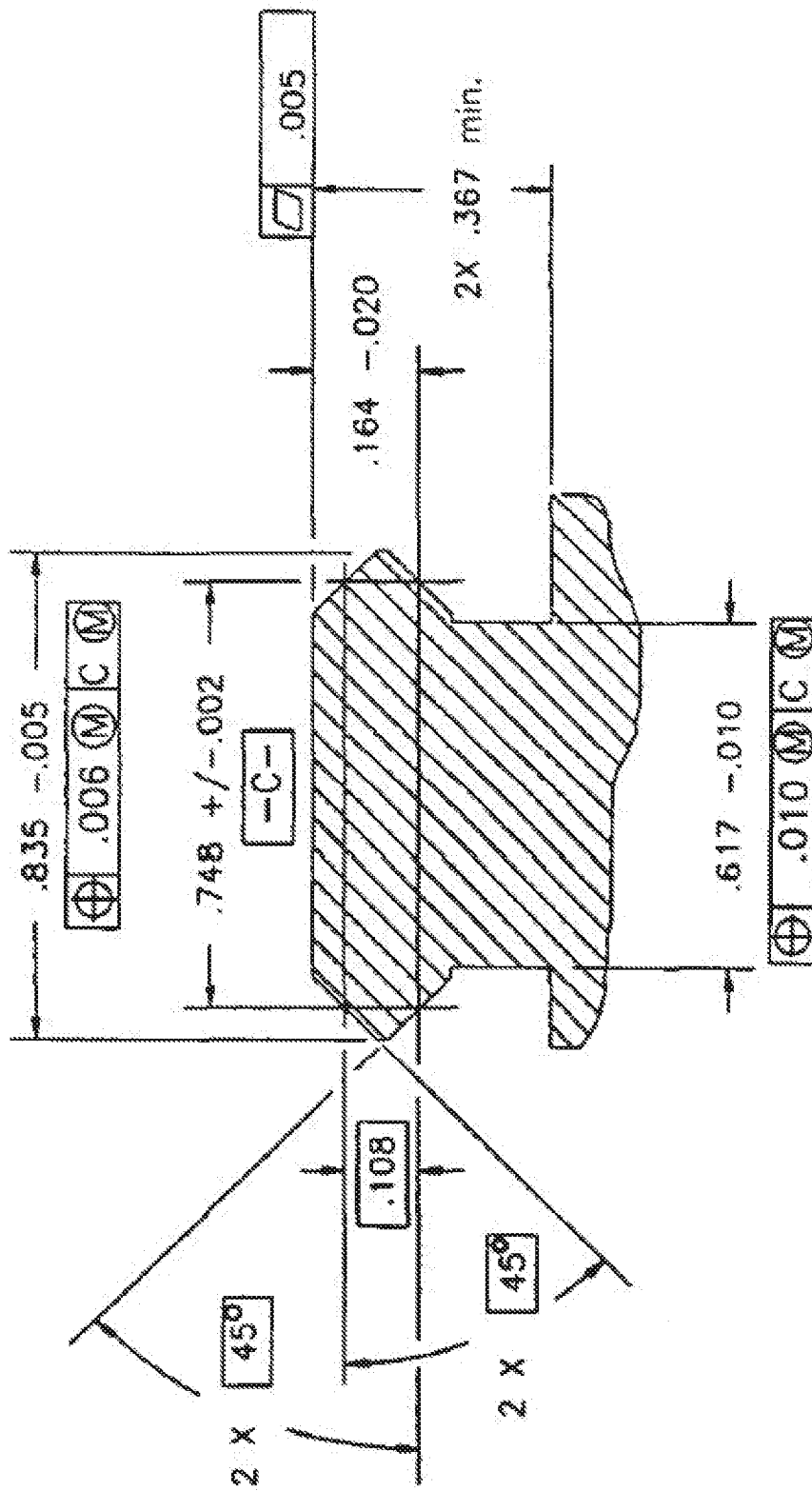


FIG. 12



20 FIG. 13



PRIOR ART FIG. 14

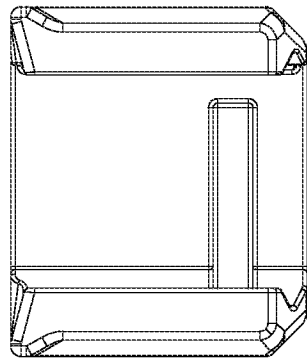


FIG. 15A

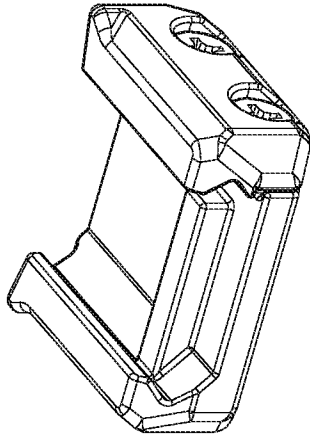


FIG. 15B

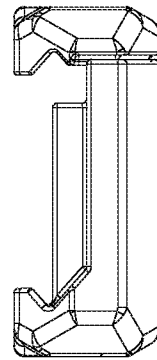


FIG. 15C

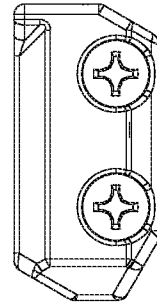


FIG. 15D

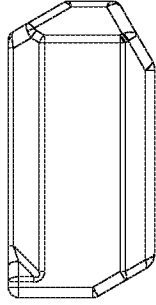


FIG. 15F

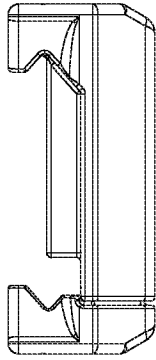


FIG. 15E

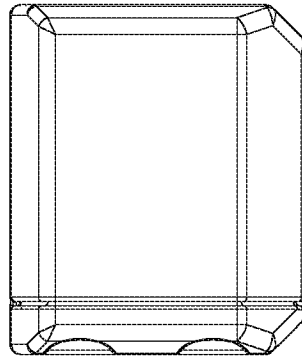


FIG. 15G

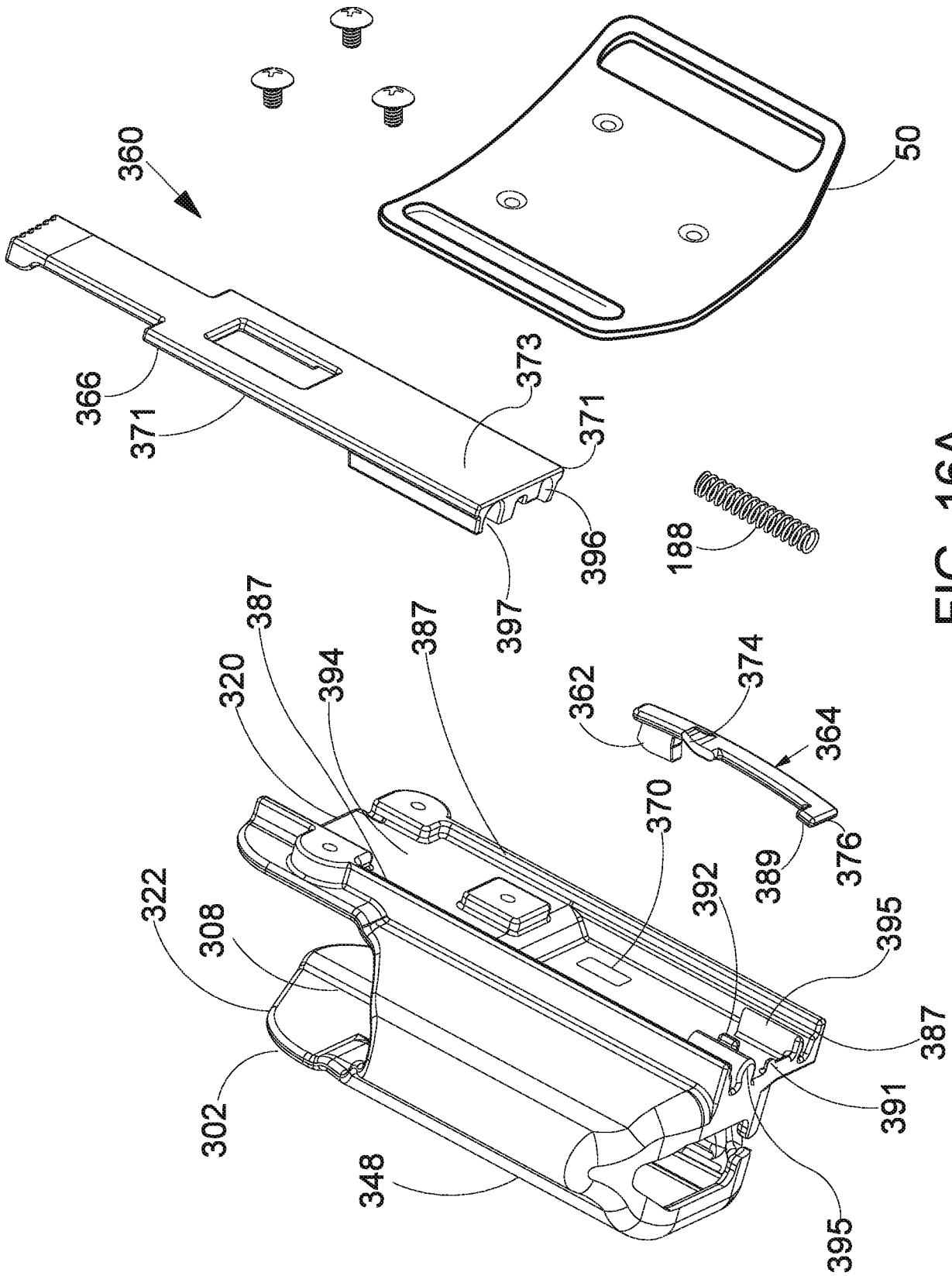


FIG. 16A

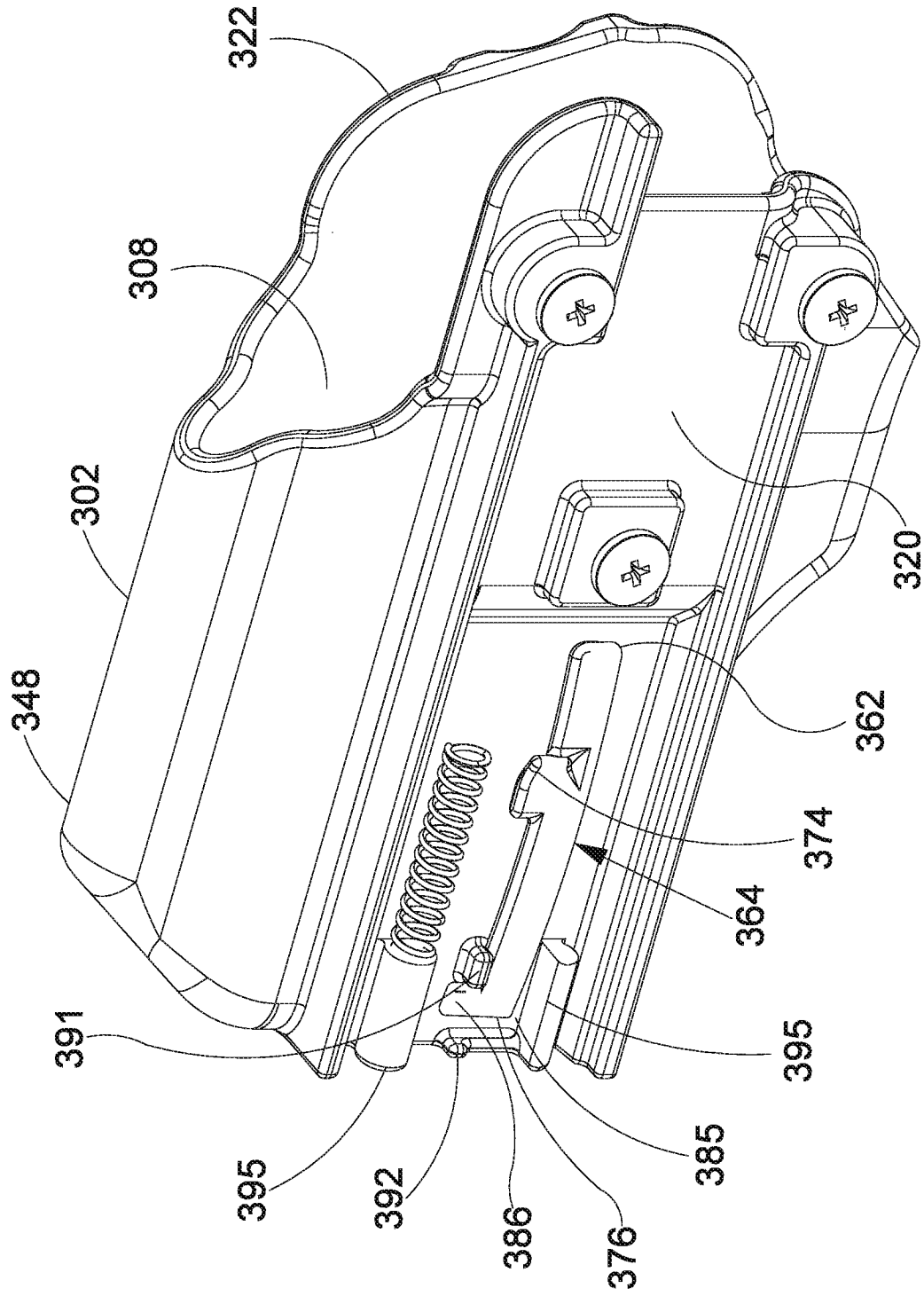


FIG. 16C

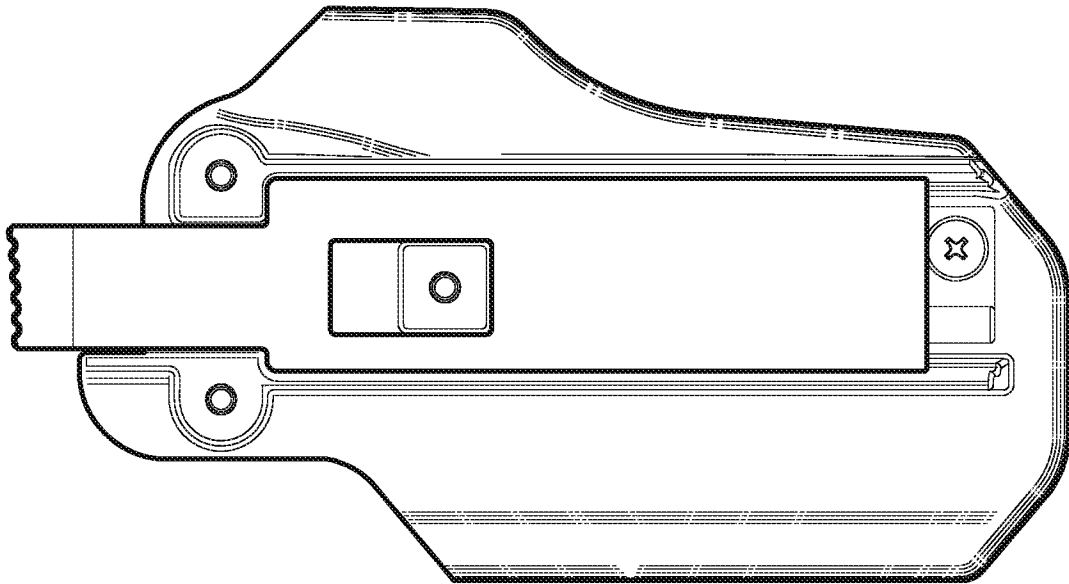


FIG. 17A

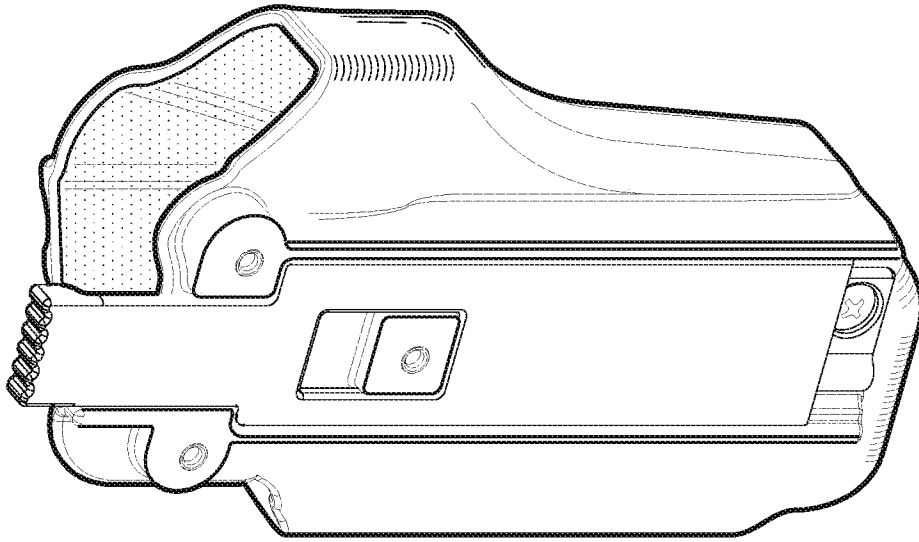


FIG. 17B

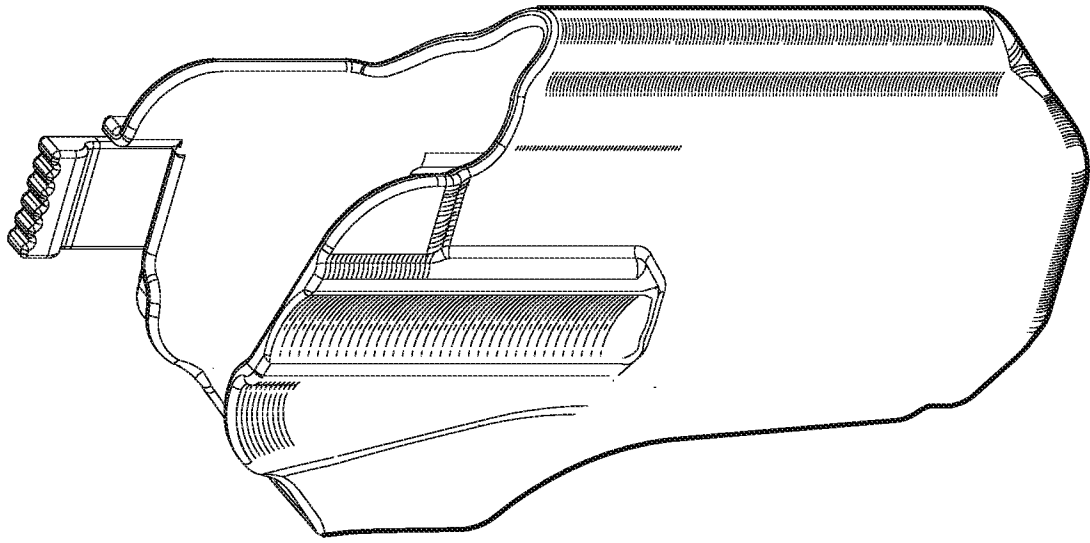


FIG. 17D

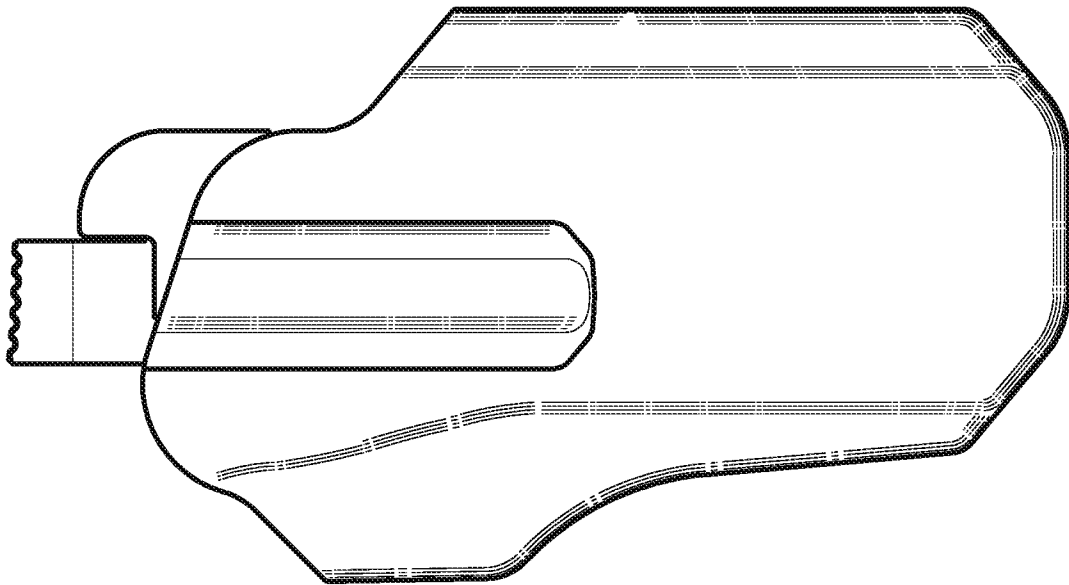


FIG. 17C

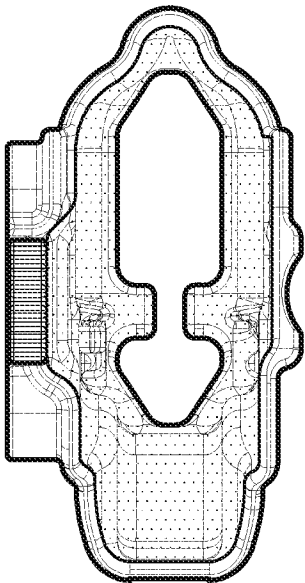


FIG. 17E

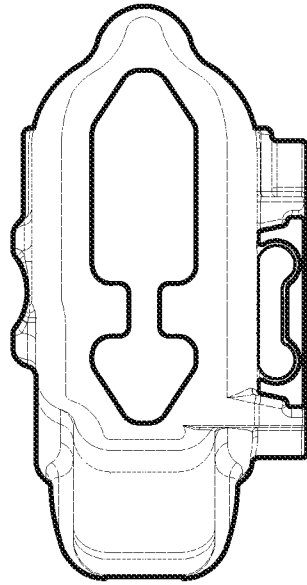


FIG. 17F

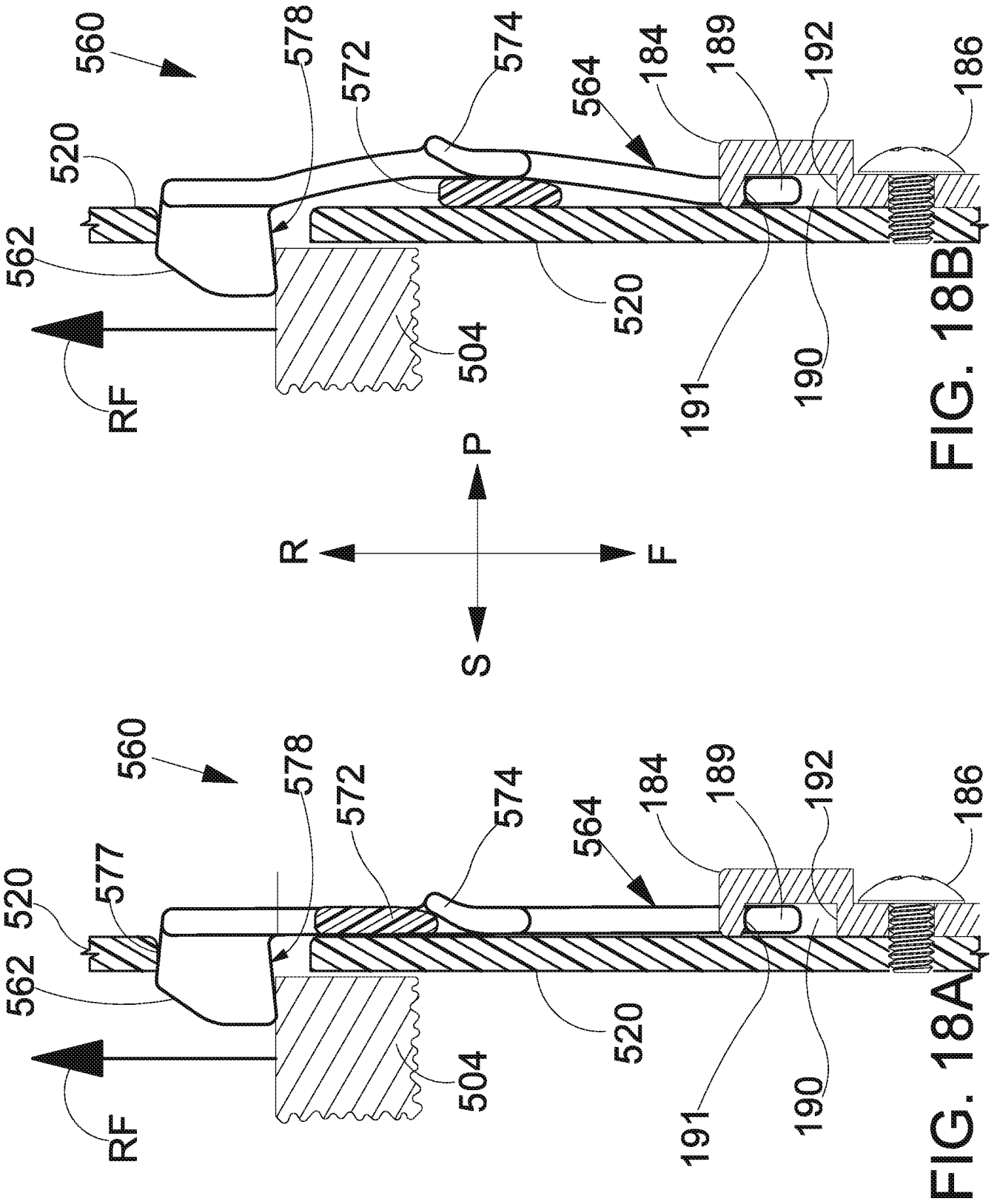


FIG. 18B

FIG. 18A

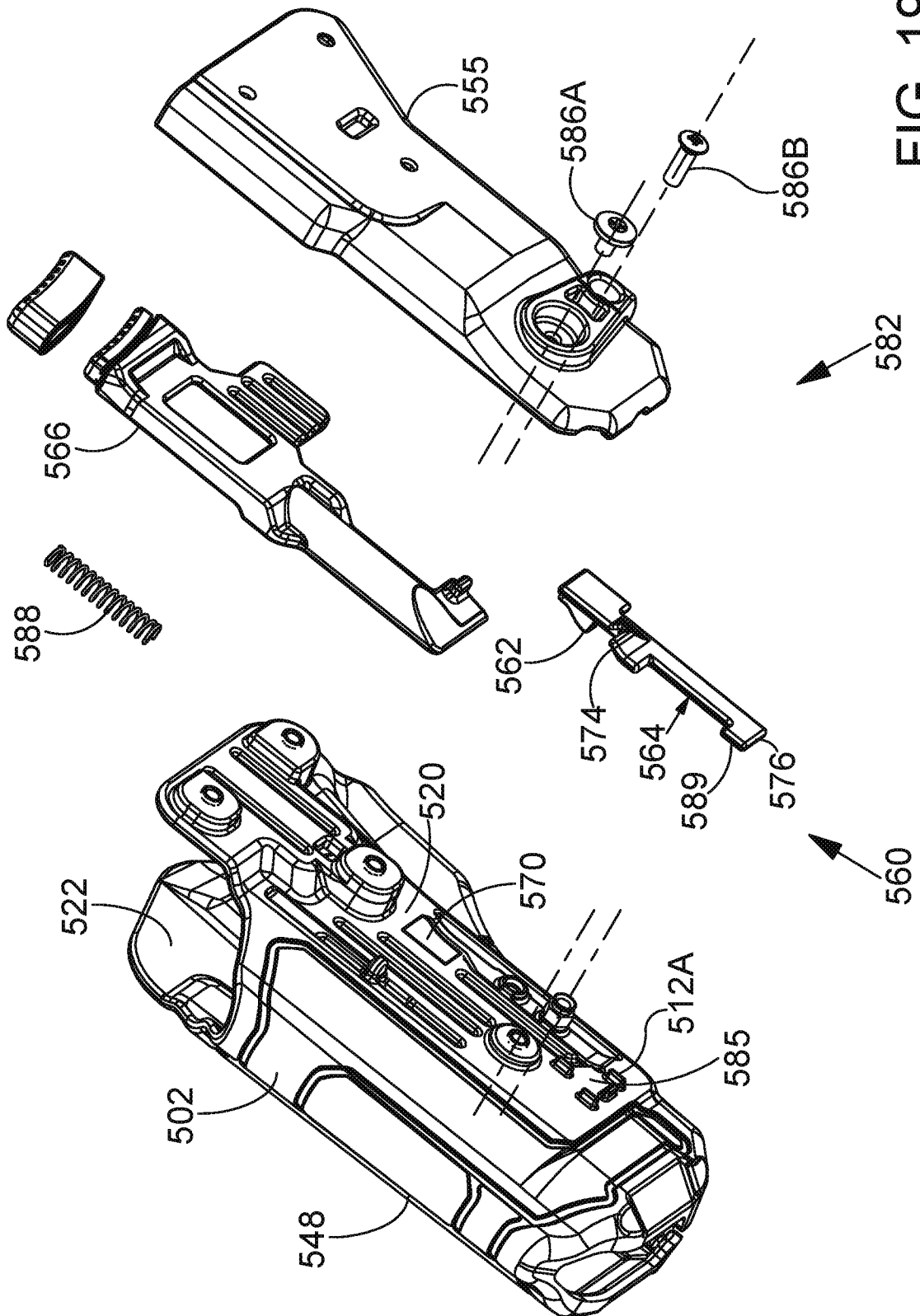


FIG. 19A

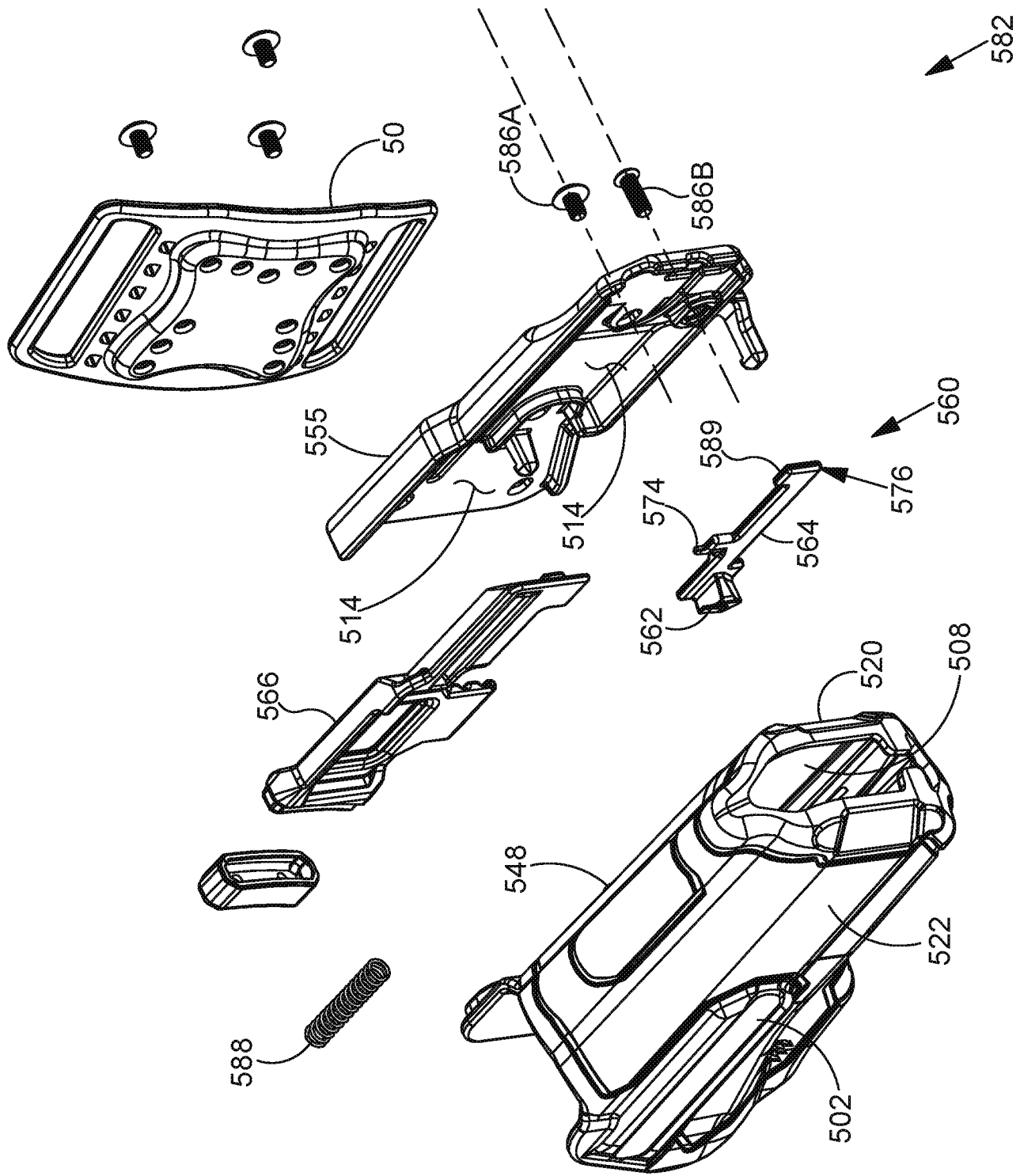


FIG. 19B

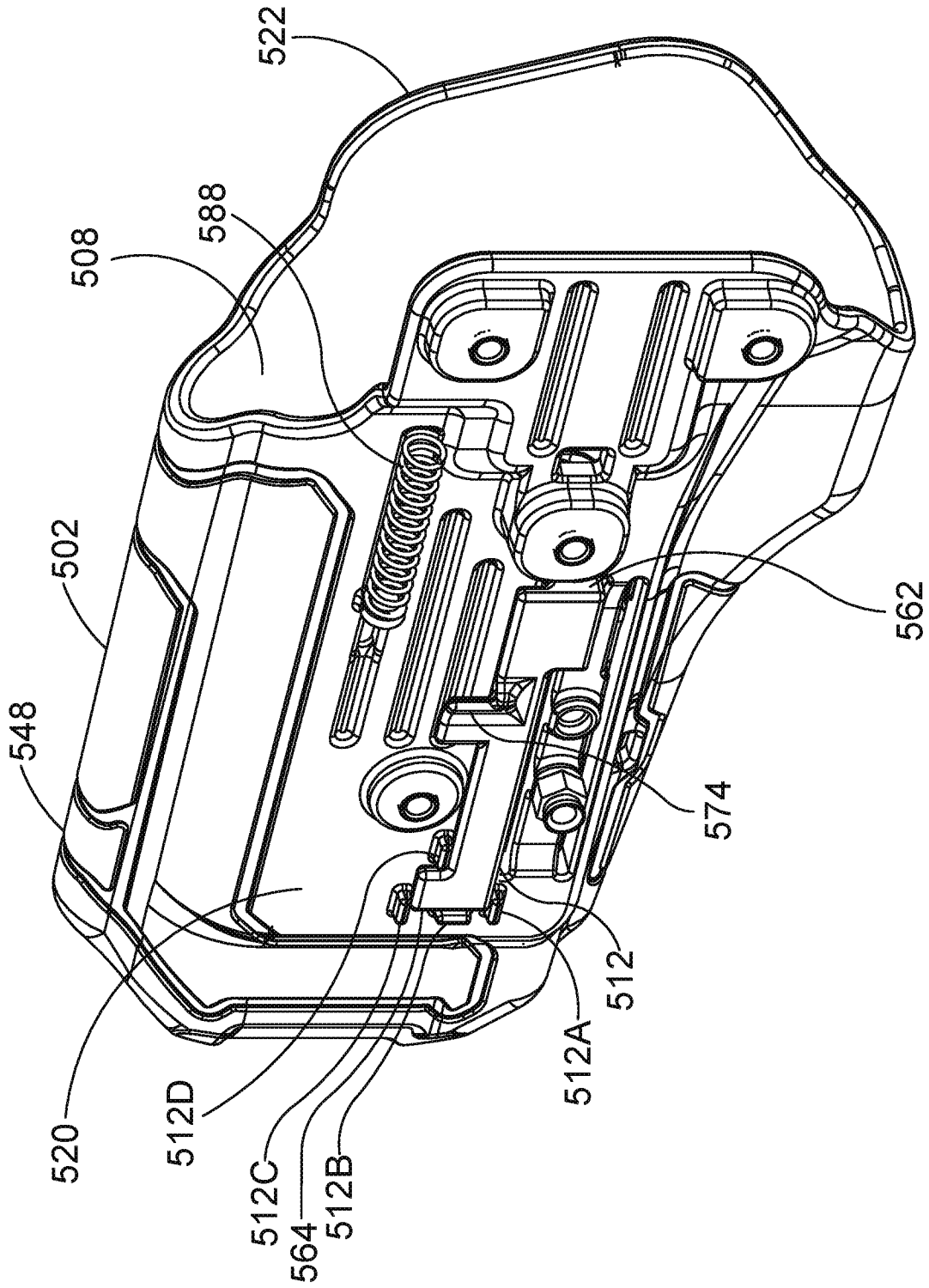


FIG. 19C

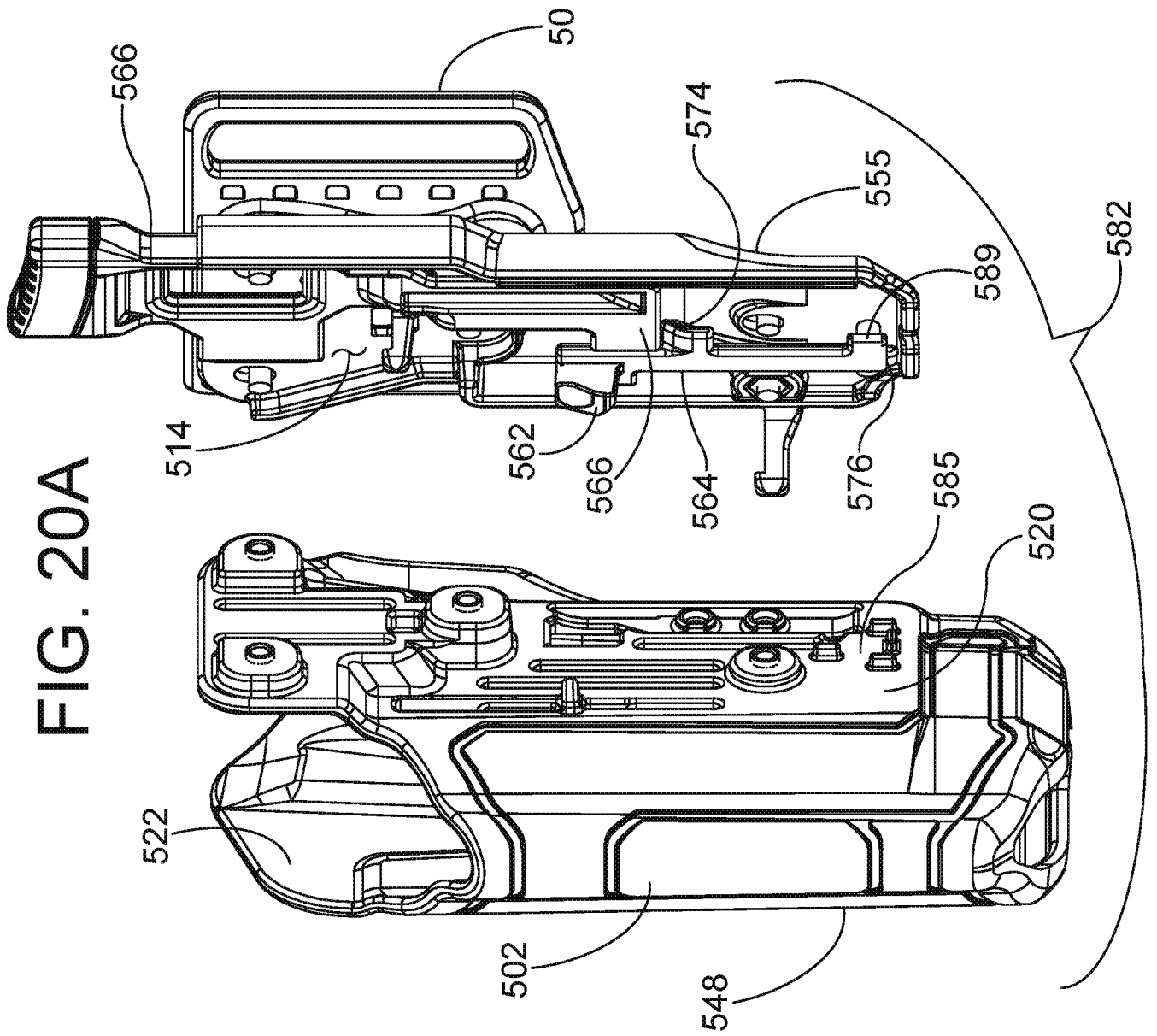


FIG. 20A

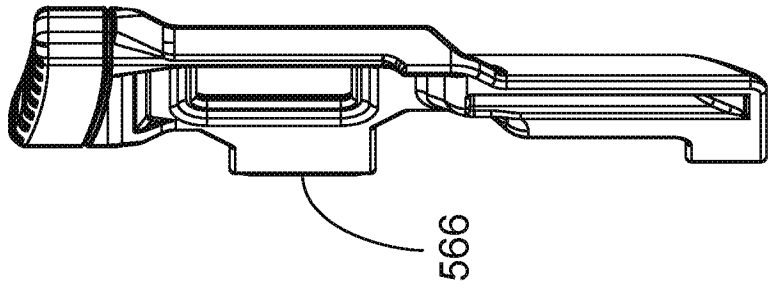


FIG. 20B

FIG. 21A

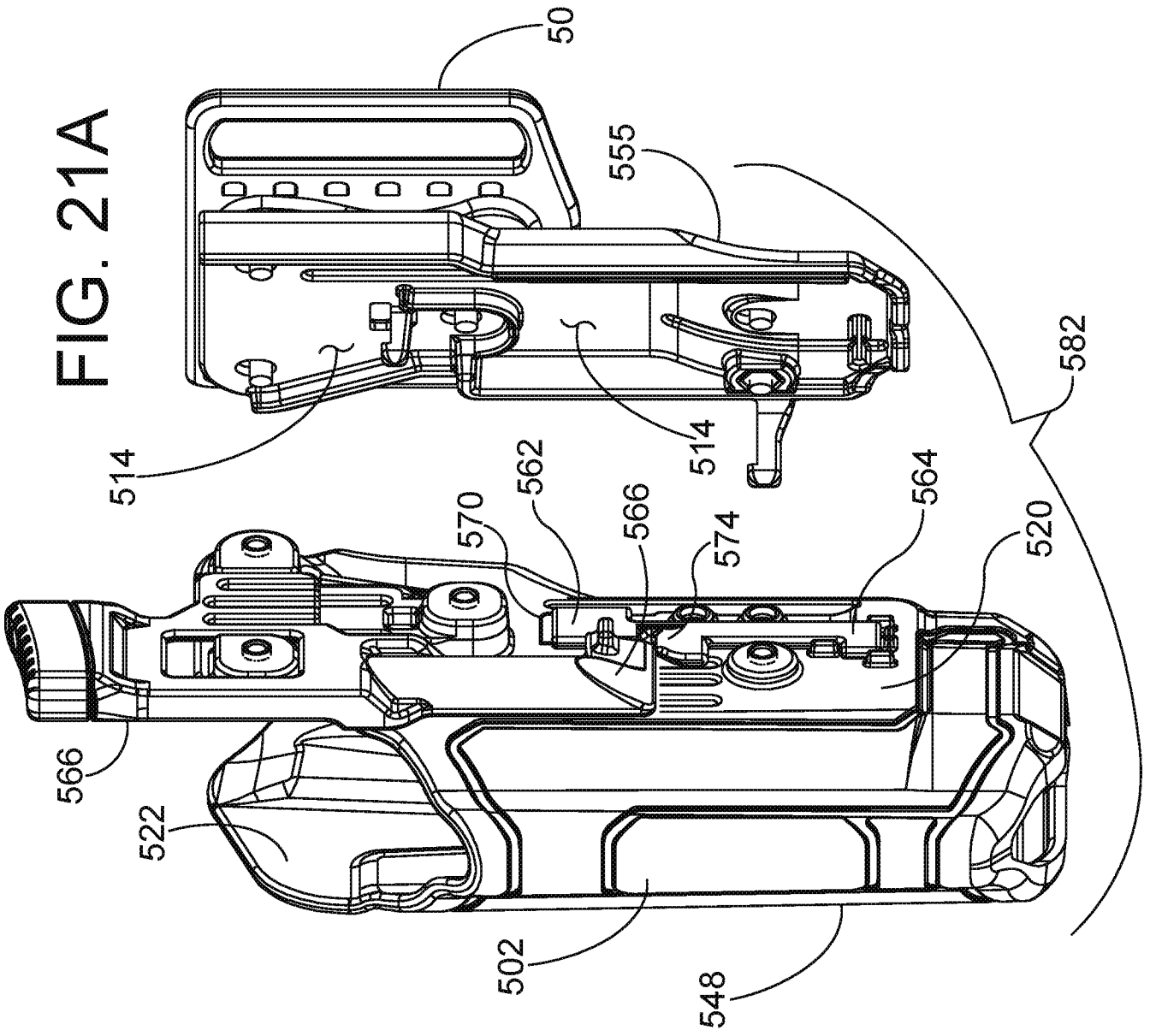


FIG. 21B

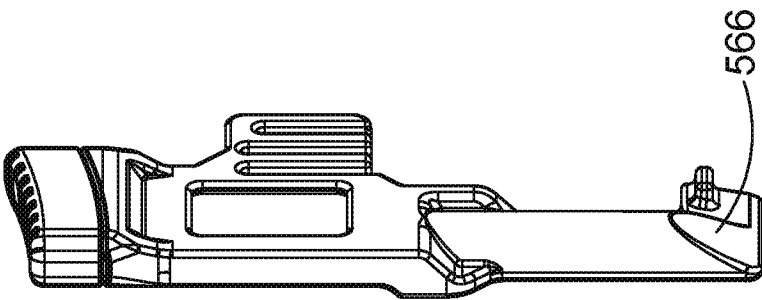


FIG. 22A

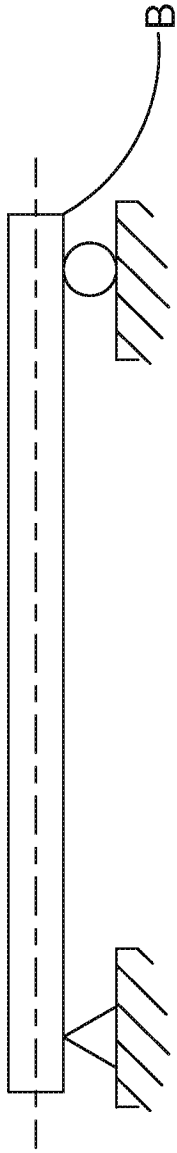


FIG. 22B

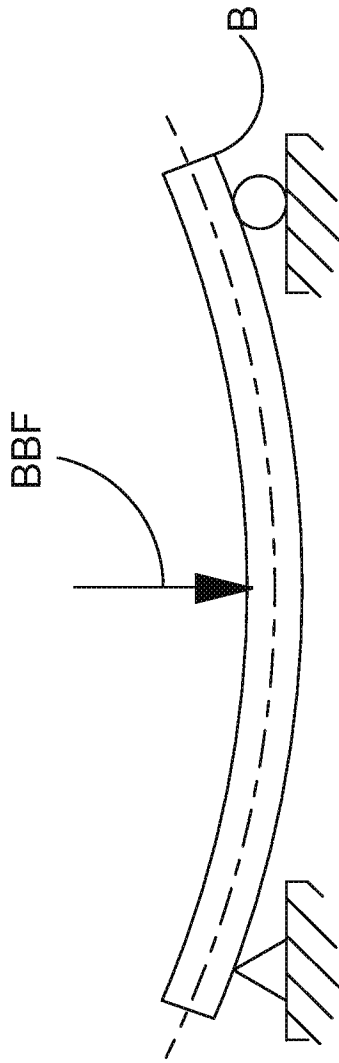


FIG. 23A

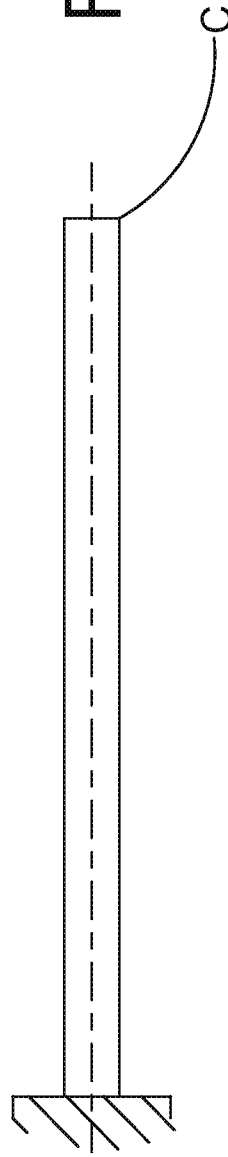
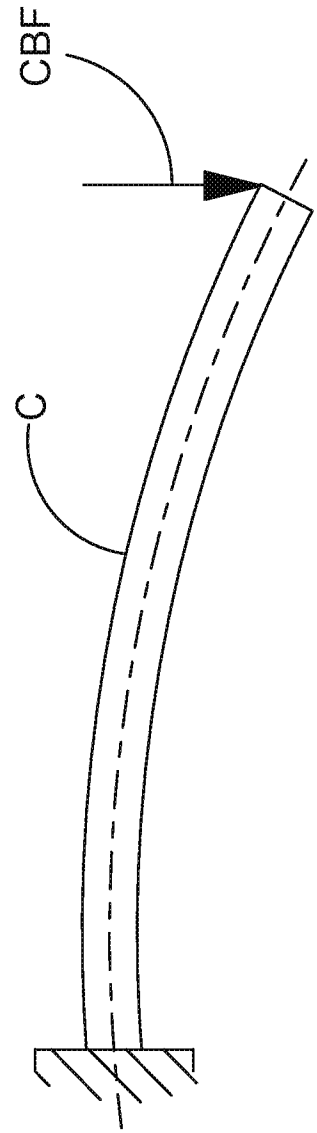


FIG. 23B



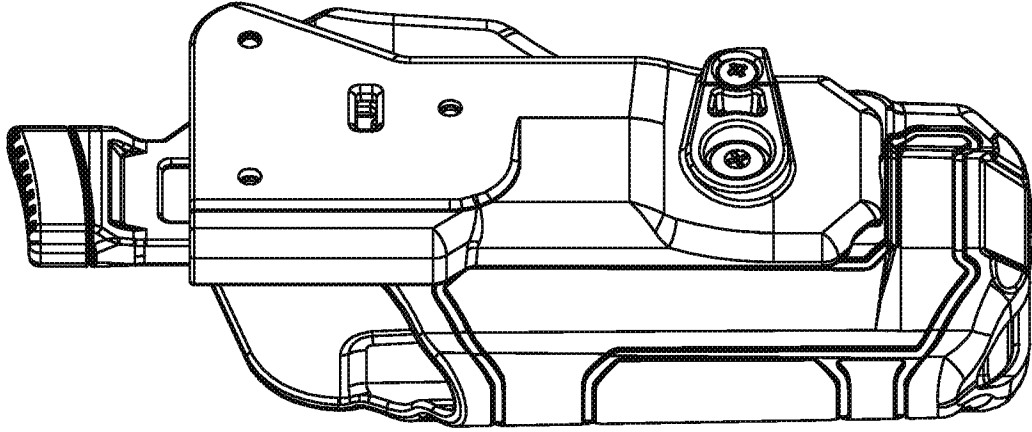


FIG. 24B

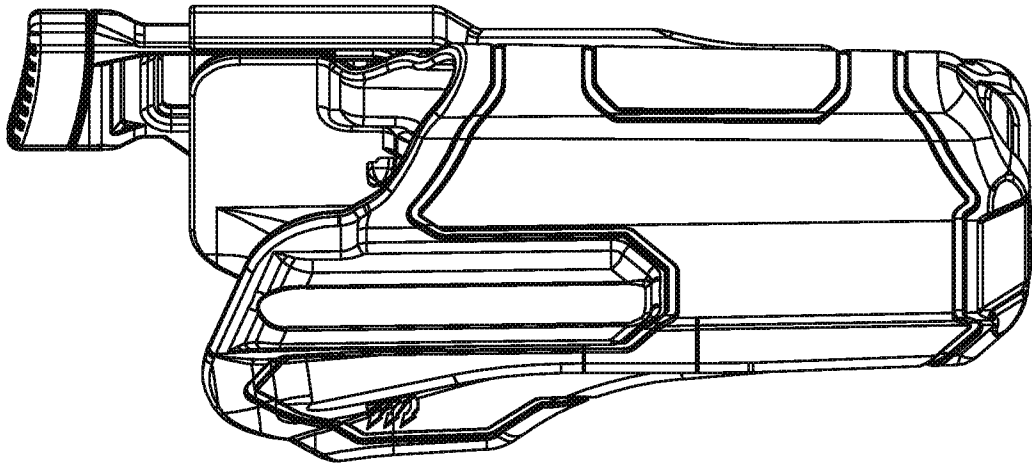


FIG. 24A

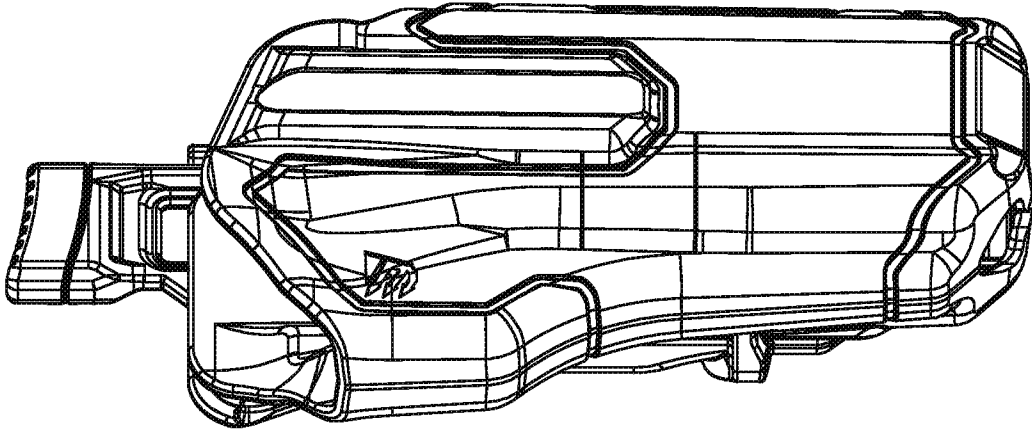


FIG. 24D

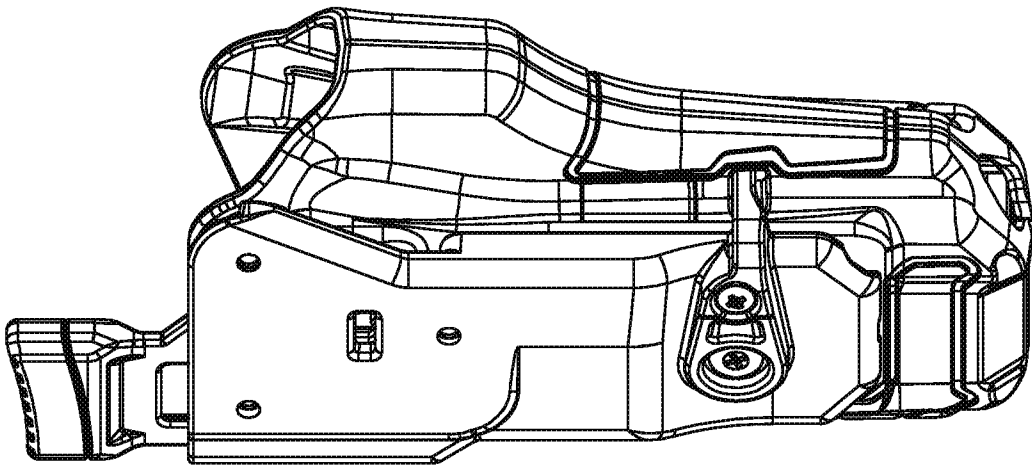


FIG. 24C

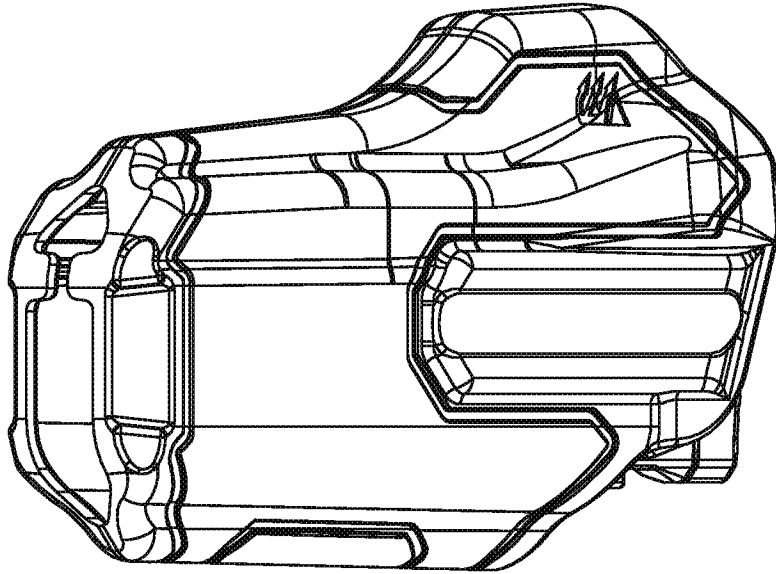


FIG. 24F

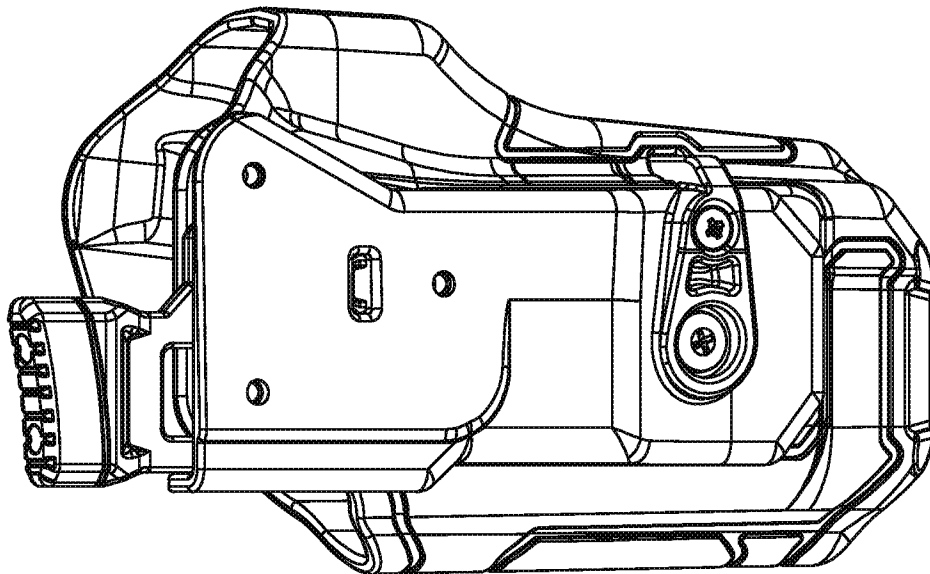


FIG. 24E

INTERNATIONAL SEARCH REPORT

International application No.

PCT/US17/23631

Box No. II Observations where certain claims were found unsearchable (Continuation of item 2 of first sheet)

This international search report has not been established in respect of certain claims under Article 17(2)(a) for the following reasons:

1. Claims Nos.:
because they relate to subject matter not required to be searched by this Authority, namely:

2. Claims Nos.:
because they relate to parts of the international application that do not comply with the prescribed requirements to such an extent that no meaningful international search can be carried out, specifically:

3. Claims Nos.: 80-87
because they are dependent claims and are not drafted in accordance with the second and third sentences of Rule 6.4(a).

Box No. III Observations where unity of invention is lacking (Continuation of item 3 of first sheet)

This International Searching Authority found multiple inventions in this international application, as follows:

-Please See Next Supplemental Box-

1. As all required additional search fees were timely paid by the applicant, this international search report covers all searchable claims.
2. As all searchable claims could be searched without effort justifying additional fees, this Authority did not invite payment of additional fees.
3. As only some of the required additional search fees were timely paid by the applicant, this international search report covers only those claims for which fees were paid, specifically claims Nos.:
1-17, 31-37, 41-79, 88-91
4. No required additional search fees were timely paid by the applicant. Consequently, this international search report is restricted to the invention first mentioned in the claims; it is covered by claims Nos.:

Remark on Protest

- The additional search fees were accompanied by the applicant's protest and, where applicable, the payment of a protest fee.
- The additional search fees were accompanied by the applicant's protest but the applicable protest fee was not paid within the time limit specified in the invitation.
- No protest accompanied the payment of additional search fees.

INTERNATIONAL SEARCH REPORT

International application No.

PCT/US17/23631

A. CLASSIFICATION OF SUBJECT MATTER

IPC - F41A 27/08, 35/00; F41C 27/00, 33/02, 33/04 (2017.01)

CPC - F41A 35/00, 99/00; F41C 33/02, 33/0209, 33/0254, 33/0263, 33/04; Y10S 224/911, 224/912, 224/913

According to International Patent Classification (IPC) or to both national classification and IPC

B. FIELDS SEARCHED

Minimum documentation searched (classification system followed by classification symbols)

See Search History document

Documentation searched other than minimum documentation to the extent that such documents are included in the fields searched

See Search History document

Electronic data base consulted during the international search (name of data base and, where practicable, search terms used)

See Search History document

C. DOCUMENTS CONSIDERED TO BE RELEVANT

Category*	Citation of document, with indication, where appropriate, of the relevant passages	Relevant to claim No.
A	US 2016/0069639 A1 (VISTA OUTDOOR OPERATIONS LLC) 10 March 2016; entire document	1-17, 31-37, 41-79, 88-91
A	US 7,082,426 B1 (VIANI, A.) 18 April 2006; entire document	1-17, 31-37, 41-79, 88-91
A	US 7,735,255 B1 (KINCAID, R. A. et al.) 15 June 2010; entire document	1-17, 31-37, 41-79, 88-91
A	US 2008/0110947 A1 (PIKIELNY, D.) 15 May 2009; entire document	1-17, 31-37, 41-79, 88-91
A	US 2012/0097718 A1 (BAUMANN, J. et al.) 26 April 2012; entire document	1-17, 31-37, 41-79, 88-91
A	US 2014/0048572 A1 (ALLIANT TECHSYSTEMS INC.) 20 February 2014; entire document	1-17, 31-37, 41-79, 88-91
A	US 2006/0175366 A1 (DEKAISE, D.) 10 August 2006; entire document	1-17, 31-37, 41-79, 88-91
A	US 2015/0184978 A1 (LASER AIMING SYSTEMS CORPORATION) 02 July 2015; entire document	1-17, 31-37, 41-79, 88-91
A	US 6,112,962 A (MATTHEWS, J. W.) 05 September 2000; entire document	1-17, 31-37, 41-79, 88-91
A	US 2013/0299543 A1 (RORICK, S. et al.) 14 November 2013; entire document	1-17, 31-37, 41-79, 88-91
A	US 2009/0001117 A1 (RASSIAS, J. N.) 01 January 2009; entire document	1-17, 31-37, 41-79, 88-91
A	US 2002/0153396 A1 (FRENCH, J. M. et al.) 24 October 2002; entire document	1-17, 31-37, 41-79, 88-91

 Further documents are listed in the continuation of Box C. See patent family annex.

* Special categories of cited documents:

"A" document defining the general state of the art which is not considered to be of particular relevance

"E" earlier application or patent but published on or after the international filing date

"L" document which may throw doubts on priority claim(s) or which is cited to establish the publication date of another citation or other special reason (as specified)

"O" document referring to an oral disclosure, use, exhibition or other means

"P" document published prior to the international filing date but later than the priority date claimed

"T" later document published after the international filing date or priority date and not in conflict with the application but cited to understand the principle or theory underlying the invention

"X" document of particular relevance; the claimed invention cannot be considered novel or cannot be considered to involve an inventive step when the document is taken alone

"Y" document of particular relevance; the claimed invention cannot be considered to involve an inventive step when the document is combined with one or more other such documents, such combination being obvious to a person skilled in the art

"&" document member of the same patent family

Date of the actual completion of the international search

30 June 2017 (30.06.2017)

Date of mailing of the international search report

25 AUG 2017

Name and mailing address of the ISA/

Mail Stop PCT, Attn: ISA/US, Commissioner for Patents

P.O. Box 1450, Alexandria, Virginia 22313-1450

Facsimile No. 571-273-8300

Authorized officer

Shane Thomas

PCT Helpdesk: 571-272-4300
PCT OSP: 571-272-7774

INTERNATIONAL SEARCH REPORT
Information on patent family members

International application No.

PCT/US17/23631

-***-Continued from Box No. III Observations where unity of invention is lacking-***-

This application contains the following inventions or groups of inventions which are not so linked as to form a single general inventive concept under PCT Rule 13.1. In order for all inventions to be examined, the appropriate additional examination fee must be paid.

Group I: Claims 1-10 and 77-79 are directed toward a holster comprising a pair of side wall portions formed of a polymer and being unitary with one another and joined at a top and bottom of the side wall portions and a stop portion.

Group II: Claims 11-17, 31-37, 41-76, 88-91 are directed toward a holster system comprising an upper first cavity portion and a lower second cavity and a retention mechanism.

Group III: Claims 18-30, 38-40, and 92-96 are directed toward a holster body comprising a pair of opposing ribs extending linearly forwardly and backwardly and projecting inwardly from each of the opposing side wall portions, the ribs spaced from an upwardly facing bottom surface.

The inventions listed as Groups I-III do not relate to a single general inventive concept under PCT Rule 13.1 because, under PCT Rule 13.2, they lack the same or corresponding special technical features.

Group I has at least a pair of side wall portions formed of a polymer and being unitary with one another and joined at a top and bottom of the side wall portions, the side wall portions defining a slot configured for capturing and engaging the accessory when the handgun with accessory is inserted into the holster, the holster and accessory engagement constraining all freedom of motion of the accessory except freedom of motion in the insertion and withdrawal direction along a forward rearward axis of the handgun that Groups II and III do not have.

Group II has at least an upper first cavity portion and a lower second cavity portion, the first cavity portion sized to receive a slide of the handgun and the second cavity portion being dimensioned to form fit the particular form of the accessory, each of the first and second cavities open at a rearward end for receiving and withdrawing the handgun, a retention mechanism supported by the wall of the holster body, the retention mechanism comprising spring member secured with respect to one of the opposing sidewall portions at a first end of the spring member, the spring member extending rearwardly along an exterior surface of the one of the opposing sidewall portions, the second end of the spring member fixed to a blocking portion that Groups I and III do not have.

Group III has at least the accessory having a vertical distance from the bottom surface of the accessory to the top surface of a pair of clamp portions, a pair of opposing ribs extending linearly forwardly and backwardly and projecting inwardly from each of the opposing side wall portions, the ribs spaced from an upwardly facing bottom surface of the holster body a distance substantially equal to the vertical distance, wherein the pair of opposing side walls and the ribs defining a lower accessory receiving pocket in the interior that Groups I and II do not have.

The common technical features of Groups I-III are at least a holster body having a pair of opposing side wall portions defining an interior, withdrawing the handgun and attached accessory in a forward and rearward direction, a blocking portion, the blocking portion positioned at an aperture in the one of the opposing sidewall portions and movable between a blocking position and a non-blocking position with respect to the accessory, blocking member in a direction outwardly with respect to the holster body from the blocking position to the non-blocking position, a retention mechanism supported by the wall of the holster body, the retention mechanism comprising an elongate spring member, wherein spring member movable between an accessory blocking position and an accessory non-blocking position, retention mechanism further comprising a thumb actuated release actuation mechanism, the thumb actuated release actuation mechanism comprising an elongate member extending into the chamber defined by the cover, the elongate member being slidably supported by the cover, an inwardly projecting rib, the inwardly projecting ribs dividing the interior.

This common features are disclosed by US 2016/0069639 A1 to VISTA OUTDOOR OPERATIONS LLC, III (hereinafter 'Vista'). Vista discloses a holster body having a pair of opposing side wall portions defining an interior (holster body 30 having opposing forward wall portion 66 and a rearward wall portion 68 forming interior, figure 4, paragraph [0046]), withdrawing the handgun and attached accessory in a forward and rearward direction (holster has an insertion/withdrawal direction, figure 4, paragraph [0045]), a blocking portion (obstructing member 40, figure 4, paragraph [0045]), the blocking portion positioned at an aperture in the one of the opposing sidewall portions and movable between a blocking position and a non-blocking position with respect to the accessory (obstructing member 40 configured as an ejection port on holster body 30 adjacent walls 66 and 68 engaging engagement portion 94 configured as an aperture, figure 4, paragraphs [0045] and [0047]), blocking member in a direction outwardly with respect to the holster body from the blocking position to the non-blocking position (obstructing member fully deflected outwardly such that the stop surface 238 is in a non-obstructing position, figures 22A-22F, paragraph [0052]), a retention mechanism supported by the wall of the holster body (retention sleeve 34 connected to the walls 66 and 68 of body 30, figure 4, paragraph [0045]), the retention mechanism comprising an elongate spring member (retention sleeve 34 includes a spring catch 82 including spring 84, figure 4, paragraph [0046]), wherein spring member movable between an accessory blocking position and an accessory non-blocking position (obstruction member may be biased (moved) by a spring to the obstructing position, figure 4, paragraph [0049]), retention mechanism further comprising a thumb actuated release actuation mechanism (pushbutton 86 actuated by thumb for a release function, figure 4, paragraph [0047]), the thumb actuated release actuation mechanism comprising an elongate member extending into the chamber defined by the cover (pushbutton handle 86 extending into chamber formed by walls 66 and 68 and latch hood 46 (chamber defined by the cover), figure 4, paragraphs [0047] and [0048]), the elongate member being slidably supported by the cover (latch 46 has sleeve engagement portions 102, 104 that engage with slidably engaged retention sleeve 34 having pushbutton handle 86, figure 4, paragraphs [0047] and [0048]), an inwardly projecting rib, the inwardly projecting ribs dividing the interior (projections in the retention sleeve or latch hood that fit into or slide into compartments, sleeves, or pockets of latch hood or the retention sleeve, paragraph [0007]).

Since the common technical feature is previously disclosed by the Vista reference, these common features are not special and so Groups I-III lack unity.