



US00D623002S

(12) **United States Design Patent**
Minshall et al.

(10) **Patent No.:** **US D623,002 S**

(45) **Date of Patent:** **** Sep. 7, 2010**

(54) **PORTION OF A BARBECUE**

(75) Inventors: **Patrick Minshall**, Caledon (CA);
Sydney Barkhouse, Oakville (CA);
Shawn Long, Orangeville (CA); **Orrin Bowser**, Barrie (CA)

(73) Assignee: **Wolfedale Engineering Limited**,
Ontario (CA)

(**) Term: **14 Years**

(21) Appl. No.: **29/329,595**

(22) Filed: **Dec. 18, 2008**

(30) **Foreign Application Priority Data**

Nov. 17, 2008 (CA) 128629

(51) **LOC (9) Cl.** **07-02**

(52) **U.S. Cl.** **D7/334**

(58) **Field of Classification Search** D7/332,
D7/334-337, 402-406; 126/25 R, 9 R, 37 R,
126/41 R, 40, 42, 50, 9 A, 9 B, 299 C, 98,
126/201, 43-44, 48, 38

See application file for complete search history.

(56) **References Cited**

U.S. PATENT DOCUMENTS

D528,848 S *	9/2006	Chung	D7/334
D533,010 S *	12/2006	Pai	D7/334
D533,011 S *	12/2006	Pai	D7/334
D538,593 S *	3/2007	McKenzie	D7/402
D542,089 S *	5/2007	McKenzie	D7/402

D546,116 S *	7/2007	Tseng	D7/334
D546,622 S *	7/2007	McKenzie	D7/402
D546,624 S *	7/2007	Pai	D7/406
D559,619 S *	1/2008	McKenzie	D7/402
D560,418 S *	1/2008	Chau et al.	D7/334
D560,419 S *	1/2008	Lockhart et al.	D7/334
D563,150 S *	3/2008	Chau et al.	D7/334
D571,142 S *	6/2008	Chung	D7/334
D571,602 S *	6/2008	Chung	D7/334
D571,604 S *	6/2008	Chung	D7/334
D581,199 S *	11/2008	Chau	D7/334
D582,715 S *	12/2008	Pai	D7/334
D584,562 S *	1/2009	Chau et al.	D7/334
D609,045 S *	2/2010	Bruno et al.	D7/334

* cited by examiner

Primary Examiner—Ruth McInroy

(74) *Attorney, Agent, or Firm*—Knoble Yoshida & Dunleavy, LLC

(57) **CLAIM**

The ornamental design for a “portion of a barbecue,” as shown and described.

DESCRIPTION

FIG. 1 is an isometric view of a portion of a barbecue showing our new design;

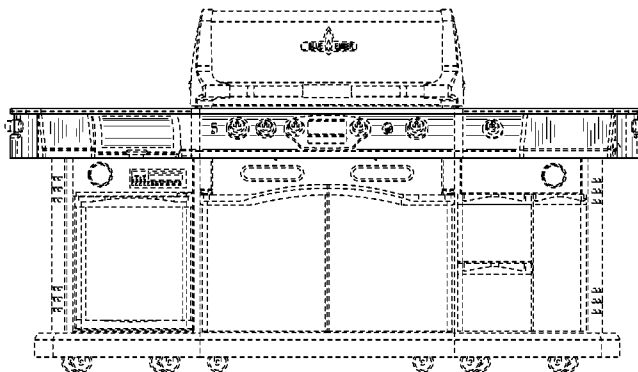
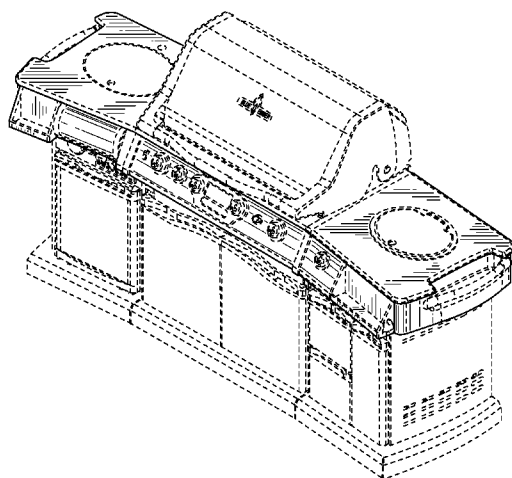
FIG. 2 is a front view thereof;

FIG. 3 is a top plan view thereof; and,

FIG. 4 is a side elevation view thereof.

The details shown in broken lines form no part of the claimed design.

1 Claim, 4 Drawing Sheets



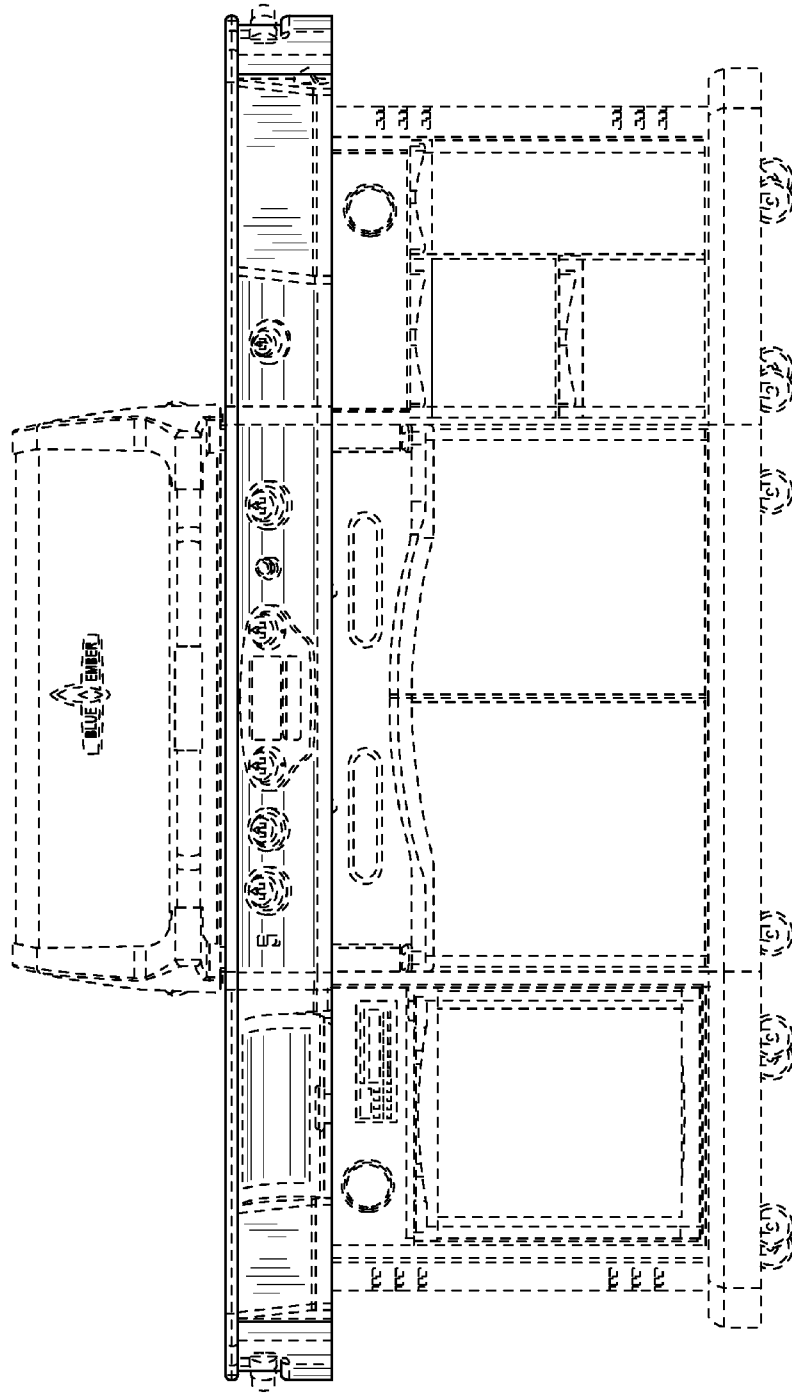


FIG. 2

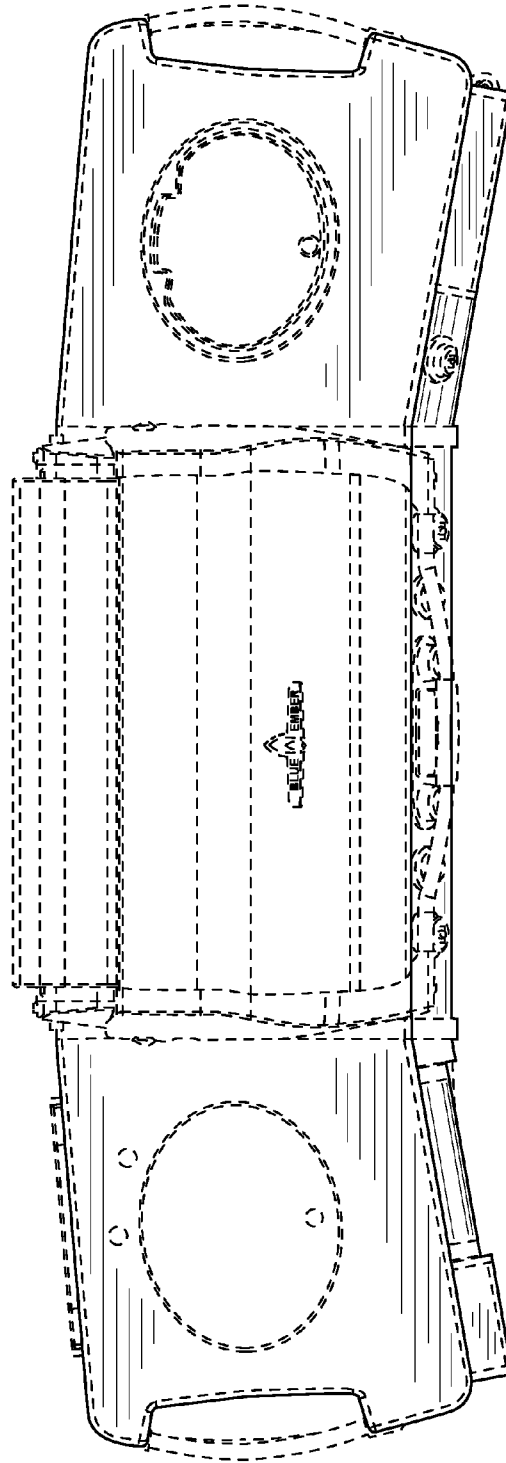


FIG. 3

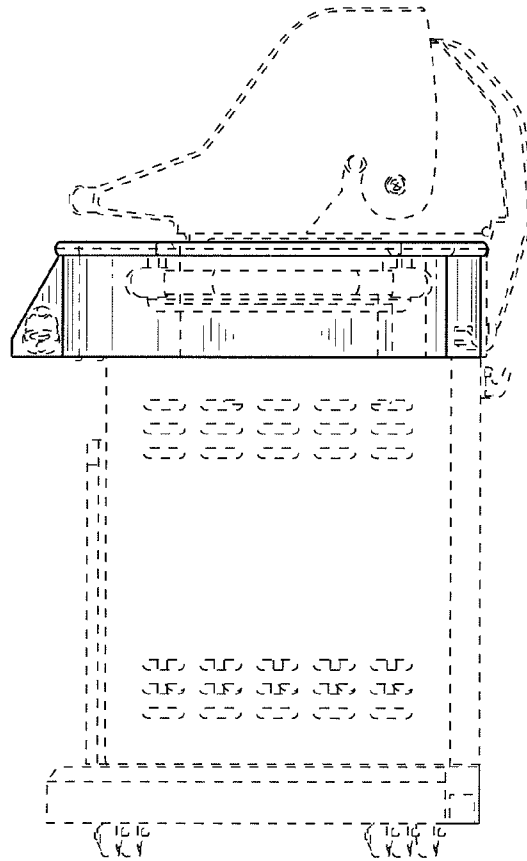


FIG. 4