

(19) World Intellectual Property Organization
International Bureau



(43) International Publication Date
6 March 2003 (06.03.2003)

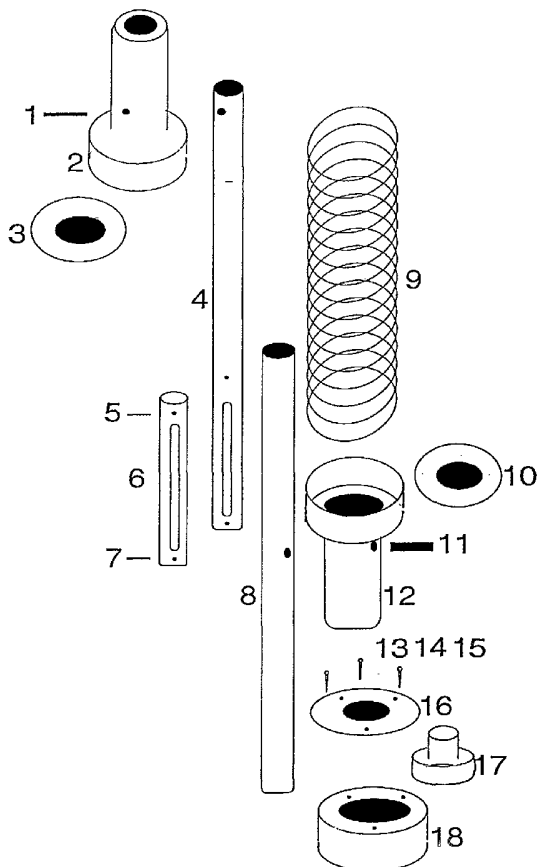
PCT

(10) International Publication Number
WO 03/017869 A3

- (51) International Patent Classification⁷: **A61F 2/60**
 - (21) International Application Number: PCT/CA02/01308
 - (22) International Filing Date: 23 August 2002 (23.08.2002)
 - (25) Filing Language: English
 - (26) Publication Language: English
 - (30) Priority Data:
09/682,370 24 August 2001 (24.08.2001) US
 - (71) Applicants and
 - (72) Inventors: **MCCOLL, Mack, Edward** [CA/CA]; c/o 16728 - 113 Avenue, Edmonton, Alberta T5M 2X3 (CA).
CLEGG, Colin [CA/CA]; c/o 16728 -113 Avenue, Edmonton, Alberta T5M 2X3 (CA).
 - (74) Agent: **BENNETT JONES LLP**; 1000 ATCO Centre, 10035 - 105 Street, Edmonton, Alberta T5J 3T2 (CA).
 - (81) Designated States (*national*): AE, AG, AL, AM, AT, AU, AZ, BA, BB, BG, BR, BY, BZ, CA, CH, CN, CO, CR, CU, CZ, DE, DK, DM, DZ, EC, EE, ES, FI, GB, GD, GE, GH, GM, HR, HU, ID, IL, IN, IS, JP, KE, KG, KP, KR, KZ, LC, LK, LR, LS, LT, LU, LV, MA, MD, MG, MK, MN, MW, MX, MZ, NO, NZ, OM, PH, PL, PT, RO, RU, SD, SE, SG, SI, SK, SL, TJ, TM, TN, TR, TT, TZ, UA, UG, US, UZ, VC, VN, YU, ZA, ZM, ZW.
 - (84) Designated States (*regional*): ARIPO patent (GH, GM, KE, LS, MW, MZ, SD, SL, SZ, TZ, UG, ZM, ZW), Eurasian patent (AM, AZ, BY, KG, KZ, MD, RU, TJ, TM), European patent (AT, BE, BG, CH, CY, CZ, DE, DK, EE, ES, FI, FR, GB, GR, IE, IT, LU, MC, NL, PT, SE, SK, TR), OAPI patent (BF, BJ, CF, CG, CI, CM, GA, GN, GQ, GW, ML, MR, NE, SN, TD, TG).
- Published:** — with international search report

[Continued on next page]

(54) Title: PROSTHETIC LEG



(57) Abstract: A jointless leg prosthesis includes a reciprocating pylon and a coil spring (9). A pin (11) affixes a lower flange fitting (12) to one pylon member which passes through a slot formed in the other nylon member and an low-friction insert (6) within the other pylon member. At the bottom end, the pylon terminates in an adapter which rotates freely within a heel pedestal. At the top end, the pylon attaches to a stump socket by conventional means.



WO 03/017869 A3



— *before the expiration of the time limit for amending the claims and to be republished in the event of receipt of amendments*

For two-letter codes and other abbreviations, refer to the "Guidance Notes on Codes and Abbreviations" appearing at the beginning of each regular issue of the PCT Gazette.

(88) Date of publication of the international search report:

18 September 2003

INTERNATIONAL SEARCH REPORT

national Application No
PCT/CA 02/01308

A. CLASSIFICATION OF SUBJECT MATTER
IPC 7 A61F2/60

According to International Patent Classification (IPC) or to both national classification and IPC

B. FIELDS SEARCHED

Minimum documentation searched (classification system followed by classification symbols)
IPC 7 A61F

Documentation searched other than minimum documentation to the extent that such documents are included in the fields searched

Electronic data base consulted during the international search (name of data base and, where practical, search terms used)

EPO-Internal

C. DOCUMENTS CONSIDERED TO BE RELEVANT

Category *	Citation of document, with indication, where appropriate, of the relevant passages	Relevant to claim No.
A	US 5 984 972 A (HUSTON WILLIAM TODD ET AL) 16 November 1999 (1999-11-16) claims; figures ---	1-13
A	WO 99 52475 A (PHILLIPS L VAN) 21 October 1999 (1999-10-21) claims; figures ---	1-13
A	US 4 883 493 A (MARTEL GUY G ET AL) 28 November 1989 (1989-11-28) cited in the application the whole document ---	1-13
A	US 6 080 197 A (CHEN SEN-JUNG) 27 June 2000 (2000-06-27) claims; figures ---	1-13
	-/--	

Further documents are listed in the continuation of box C.

Patent family members are listed in annex.

* Special categories of cited documents :

- *A* document defining the general state of the art which is not considered to be of particular relevance
- *E* earlier document but published on or after the international filing date
- *L* document which may throw doubts on priority claim(s) or which is cited to establish the publication date of another citation or other special reason (as specified)
- *O* document referring to an oral disclosure, use, exhibition or other means
- *P* document published prior to the international filing date but later than the priority date claimed

- *T* later document published after the international filing date or priority date and not in conflict with the application but cited to understand the principle or theory underlying the invention
- *X* document of particular relevance; the claimed invention cannot be considered novel or cannot be considered to involve an inventive step when the document is taken alone
- *Y* document of particular relevance; the claimed invention cannot be considered to involve an inventive step when the document is combined with one or more other such documents, such combination being obvious to a person skilled in the art.
- *&* document member of the same patent family

Date of the actual completion of the international search

2 July 2003

Date of mailing of the international search report

10/07/2003

Name and mailing address of the ISA

European Patent Office, P.B. 5818 Patentlaan 2
NL - 2280 HV Rijswijk
Tel. (+31-70) 340-2040, Tx. 31 651 epo nl,
Fax: (+31-70) 340-3016

Authorized officer

Kuehne, H-C

INTERNATIONAL SEARCH REPORT

National Application No
PCT/CA 02/01308

C.(Continuation) DOCUMENTS CONSIDERED TO BE RELEVANT		
Category °	Citation of document, with indication, where appropriate, of the relevant passages	Relevant to claim No.
A	DE 197 09 006 A (BIEDERMANN MOTECH GMBH) 24 September 1998 (1998-09-24) column 1, line 43 -column 2, line 40 claims; figures 1,2,4 ---	1-13
A	EP 0 738 837 A (SUGIYAMA KAZUO) 23 October 1996 (1996-10-23) claims; figures ---	1-13
A	FR 371 291 A (GUYOT L) the whole document -----	1-13

INTERNATIONAL SEARCH REPORT
Information on patent family members

International Application No
PCT/CA 02/01308

Patent document cited in search report		Publication date	Patent family member(s)	Publication date
US 5984972	A	16-11-1999	NONE	
WO 9952475	A	21-10-1999	AU 3487999 A CA 2321591 A1 EP 1067889 A1 WO 9952475 A1 US 6478826 B1 US 2002177906 A1 US 2002120349 A1	01-11-1999 21-10-1999 17-01-2001 21-10-1999 12-11-2002 28-11-2002 29-08-2002
US 4883493	A	28-11-1989	CA 1246301 A1	13-12-1988
US 6080197	A	27-06-2000	DE 29816138 U1	26-11-1998
DE 19709006	A	24-09-1998	DE 19709006 A1 AT 193434 T CN 1219116 A CN 1219116 T DE 59800165 D1 WO 9838951 A1 EP 0910318 A1 JP 3181298 B2 JP 11510727 T NO 985161 A	24-09-1998 15-06-2000 09-06-1999 09-06-1999 06-07-2000 11-09-1998 28-04-1999 03-07-2001 21-09-1999 04-12-1998
EP 0738837	A	23-10-1996	JP 8280870 A JP 8284995 A DE 69625117 D1 EP 0738837 A2 US 5720474 A	29-10-1996 01-11-1996 16-01-2003 23-10-1996 24-02-1998
FR 371291	A		NONE	