

(12) **United States Design Patent** (10) **Patent No.:** **US D902,908 S**
Kim et al. (45) **Date of Patent:** **** *Nov. 24, 2020**

(54) **CASE FOR ELECTRONIC COMMUNICATIONS DEVICE**

URL: <https://www.wiknix.com/10-best-samsung-galaxy-note-4-cases/>; retrieved from internet on Aug. 3, 2017.*

(Continued)

(71) Applicant: **SPIGEN KOREA CO., LTD.**, Seoul (KR)

Primary Examiner — Carla J Wright

(72) Inventors: **Dae-Young Kim**, Seoul (KR); **Soo Ha Jung**, Seoul (KR)

(74) *Attorney, Agent, or Firm* — Heedong Chae; Lucem, PC

(73) Assignee: **Spigen Korea CO., LTD.**, Seoul (KR)

(57) **CLAIM**

The ornamental design for a case for electronic communications device, as shown and described.

(*) Notice: This patent is subject to a terminal disclaimer.

DESCRIPTION

(**) Term: **15 Years**

FIG. 1 is a front perspective view of a case for electronic communications device showing our new design;

(21) Appl. No.: **29/581,259**

FIG. 2 is a rear perspective view thereof;

(22) Filed: **Oct. 17, 2016**

FIG. 3 is a front elevational view thereof;

Related U.S. Application Data

(63) Continuation-in-part of application No. 29/575,411, filed on Aug. 24, 2016.

FIG. 4 is a rear elevational view thereof;

(51) **LOC (12) Cl.** **14-03**

FIG. 5 is a left side elevational view thereof;

(52) **U.S. Cl.** **D14/250**

FIG. 6 is a right side elevational view thereof;

(58) **Field of Classification Search**

USPC D14/248, 439, 203.3–203.7, 217, 240, D14/447, 251–253, 238.1, 440, 250;
 (Continued)

FIG. 7 is a top plan view thereof;

FIG. 8 is a bottom plan view thereof;

FIG. 9 is an exploded front perspective view thereof with the components of the case shown separated for clarity of disclosure;

FIG. 10 is an exploded rear perspective view thereof with the components of the case shown separated for clarity of disclosure;

FIG. 11 is a front perspective view of the transparent inner shell component of the case shown in isolation for clarity of disclosure;

FIG. 12 is a rear perspective view thereof shown in isolation for clarity of disclosure;

FIG. 13 is a front perspective view of the outer frame component of the case shown in isolation for clarity of disclosure;

FIG. 14 is a rear perspective view thereof shown in isolation for clarity of disclosure;

FIG. 15 is a front perspective view of the rear compartment cover component of the case shown in isolation for clarity of disclosure;

FIG. 16 is a rear perspective view thereof shown in isolation for clarity of disclosure; and,

(Continued)

References Cited

U.S. PATENT DOCUMENTS

D619,361 S 7/2010 Andre et al.
 D624,064 S * 9/2010 Esposito D14/250
 (Continued)

OTHER PUBLICATIONS

10 Best Samsung Galaxy Note 4 Cases with enlarged view of Verus Card Slot Case for Galaxy Note 4; last updated on Jun. 22, 2017;

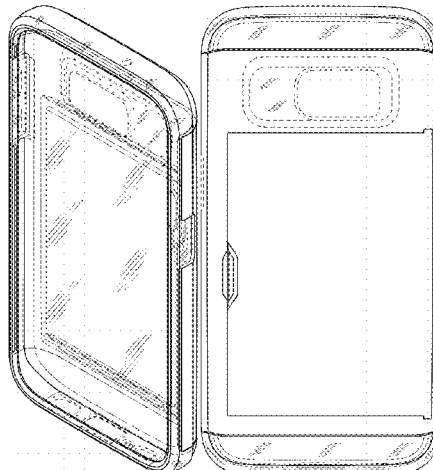


FIG. 17 is a rear perspective view of the case for electronic communications device showing the cover of the rear storage compartment in an open position.

The case for electronic communications device, in which the claimed design is embodied, consists of a transparent inner shell, opaque outer frame, and opaque rear storage compartment cover. The claim is directed to the ornamental appearance of the case for electronic communications device in its entirety and does not extend to the ornamental appearance of the individual components of the case for electronic communications device.

The broken lines throughout the drawing figures depict portions of the case for electronic communications device that form no part of the claimed design. The broken lines and regions bounded by broken lines form no part of the claimed design.

1 Claim, 17 Drawing Sheets

(58) **Field of Classification Search**

USPC D3/201, 218, 247, 269, 273, 301, 303;
 D13/103, 107–108, 119
 CPC H04B 1/3888; H04M 1/0283; H04M
 1/0202; A45C 1/06; A45C 2011/002;
 A45C 11/00; A45C 13/02; A45F
 2005/026; A45F 2200/0525; A45F
 2200/0516

See application file for complete search history.

(56) **References Cited**

U.S. PATENT DOCUMENTS

D625,920 S * 10/2010 Lyon D3/247
 D631,246 S * 1/2011 Boettner D3/203.2
 D646,265 S 10/2011 Fathollahi
 D650,371 S 12/2011 Wibby et al.
 D651,791 S * 1/2012 Cataldo D3/218
 D663,263 S 7/2012 Gupta et al.
 D681,615 S 5/2013 Fathollahi
 D681,620 S * 5/2013 Huskinson D14/250
 D682,196 S 5/2013 Leung
 D688,654 S * 8/2013 Stevinson D14/250
 D688,655 S * 8/2013 Rey-Hipolito D14/250
 8,504,127 B2 8/2013 Altschul et al.
 8,517,172 B1 8/2013 Chang
 D703,651 S * 4/2014 Ehrlich D14/250
 D705,764 S * 5/2014 Thoni D14/250
 8,726,952 B2 5/2014 Jambunathan et al.
 D707,965 S 7/2014 Requa
 D712,890 S * 9/2014 McCormac D14/250
 D712,891 S * 9/2014 Fathollahi D14/250
 D716,045 S 10/2014 Requa
 D723,532 S * 3/2015 Stevinson D14/250
 8,971,975 B2 3/2015 Ramies et al.
 9,049,283 B1 6/2015 Kim
 D733,714 S * 7/2015 Ballou D14/440
 D741,845 S 10/2015 Kim

D743,931 S 11/2015 Hubbard et al.
 9,241,551 B2 1/2016 Lawson et al.
 D749,068 S 2/2016 Zaborski et al.
 D749,557 S * 2/2016 Feng D14/250
 D753,099 S 4/2016 Kim
 D756,911 S 5/2016 Gupta et al.
 D759,966 S 6/2016 Pignotti
 D761,239 S * 7/2016 Kim D14/250
 D765,069 S * 8/2016 Jeffrey D14/250
 D776,101 S * 1/2017 Poon D14/250
 D776,646 S * 1/2017 Deng D14/250
 D780,163 S * 2/2017 Fathollahi D14/250
 9,661,116 B1 * 5/2017 Chung H04M 1/21
 2013/0095898 A1 * 4/2013 Altschul H04B 1/3888
 455/575.8
 2014/0370946 A1 * 12/2014 Daniell H04M 1/0283
 455/575.8
 2015/0365122 A1 * 12/2015 Kim H04M 1/21
 455/575.8
 2016/0113368 A1 * 4/2016 Tu H04B 1/3888
 206/45.23
 2016/0374443 A1 * 12/2016 Kim A45C 11/182
 206/38
 2017/0086557 A1 * 3/2017 Choi A45C 15/00

OTHER PUBLICATIONS

“iPhone 6 Case.Verus [Damda Slide][Dark Silver]—[Wallet Card Slot][Heavy Duty Protection] for Apple iPhone 6 4.7”, <https://www.amazon.com/dp/B01EO2PE1O>, Earliest review date of Jul. 3, 2016.
 “Galaxy Note 4 Case, Verus [Damda Slide][Dark Silver]—[Wallet Card Slot][Heavy Duty Protection] For Samsung Note 4”, <https://www.amazon.com/Galaxy-Verus-Damda-Slide-Silver/dp/B00MJ6I0G>, Earliest review date of Oct. 26, 2014.
 “Galaxy Note 5 Case, Verus [Damda Slide][Dark Silver]—[Wallet Card Slot][Heavy Duty Protection] For Samsung Note 5”, <https://www.amazon.com/dp/B00VN6E8KS>, Earliest review date of Aug. 24, 2015.
 “Galaxy S6 Edge Case, Verus [Damda Slide][Dark Silver]—[Wallet Card Slot][Heavy Duty Protection] For Samsung galaxy s6 edge”, <https://www.amazon.com/dp/B00U0MDTEM/>, Earliest review date of Apr. 15, 2015.
 “Galaxy S6 Edge Plus Case, Verus [Damda Slide][Dark Silver]—[Wallet Card Slot][Heavy Duty Protection] For Samsung galaxy s6 plus”, <https://www.amazon.com/dp/B013F8CLK0>, Earliest review date of Jun. 29, 2016.
 “iPhone 6 Plus Case.Verus [Damda Slide][Dark Silver]—[Wallet Card Slot][Heavy Duty] for Apple iPhone 6 Plus 5.5”, <https://www.amazon.com/dp/B01EO2P5H2>, Earliest review date of Jun. 13, 2016.
 “iPhone 6S Case.Verus [Damda Slide][Dark Silver]—[Wallet Card Slot][Heavy Duty Protection] for Apple iPhone 6 6s 4.7”, <https://www.amazon.com/dp/B00M9UBQ2A>, Earliest review date of Oct. 13, 2014.
 “iPhone 6S Plus Case.Verus [Damda Slide][Dark Silver]—[Wallet Card Slot][Heavy Duty] for Apple iPhone 6 6s Plus 5.5”, <https://www.amazon.com/dp/B00NHZZ1ZY>, Earliest review date of Oct. 5, 2014.

* cited by examiner

FIG. 1

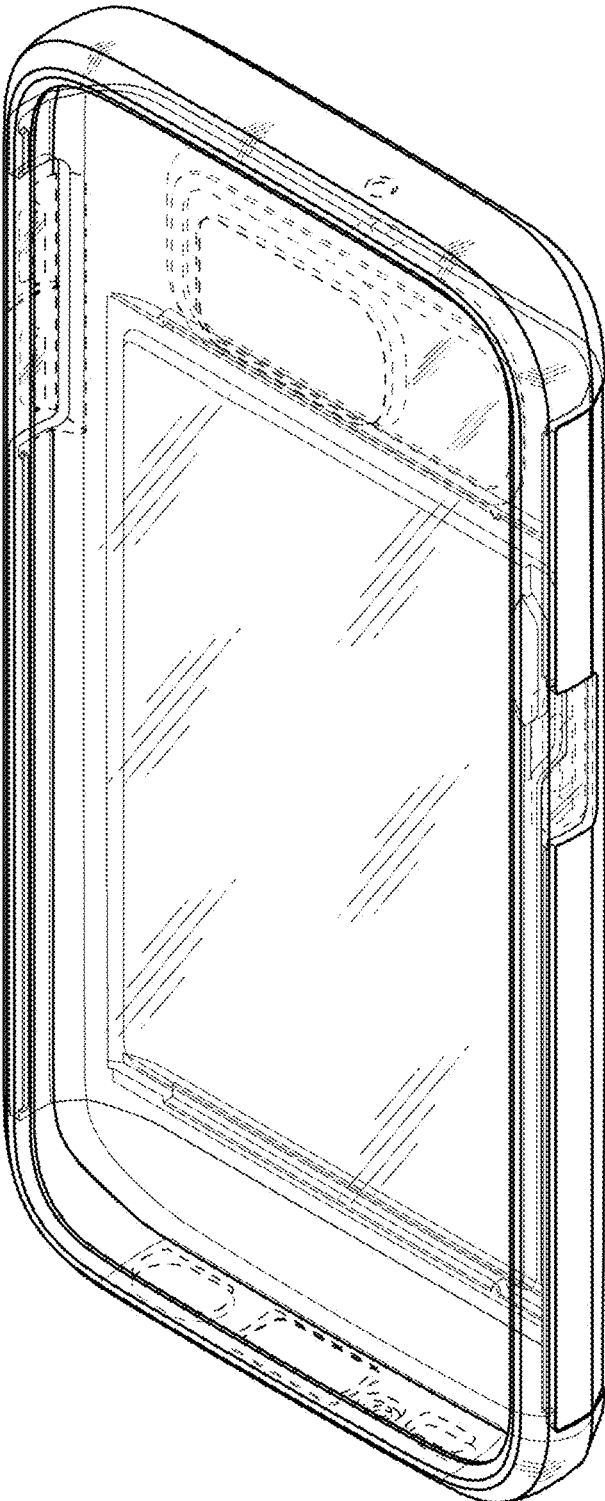


FIG. 2

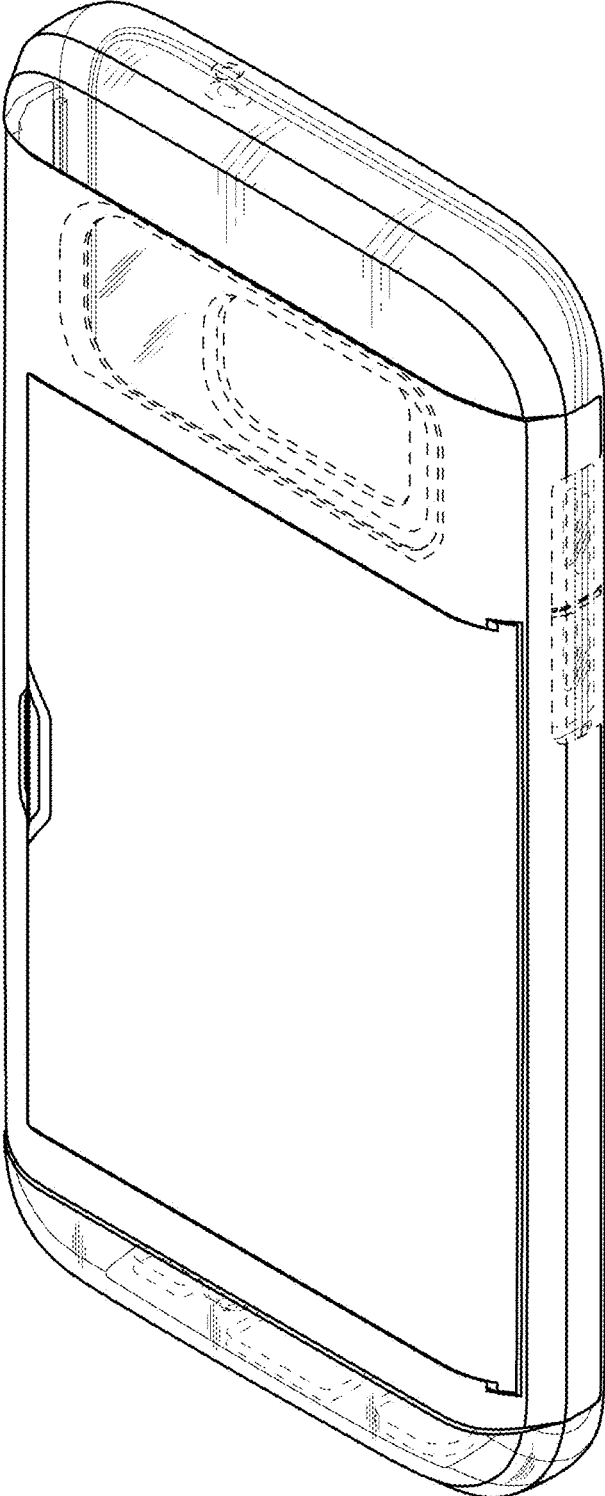


FIG. 3

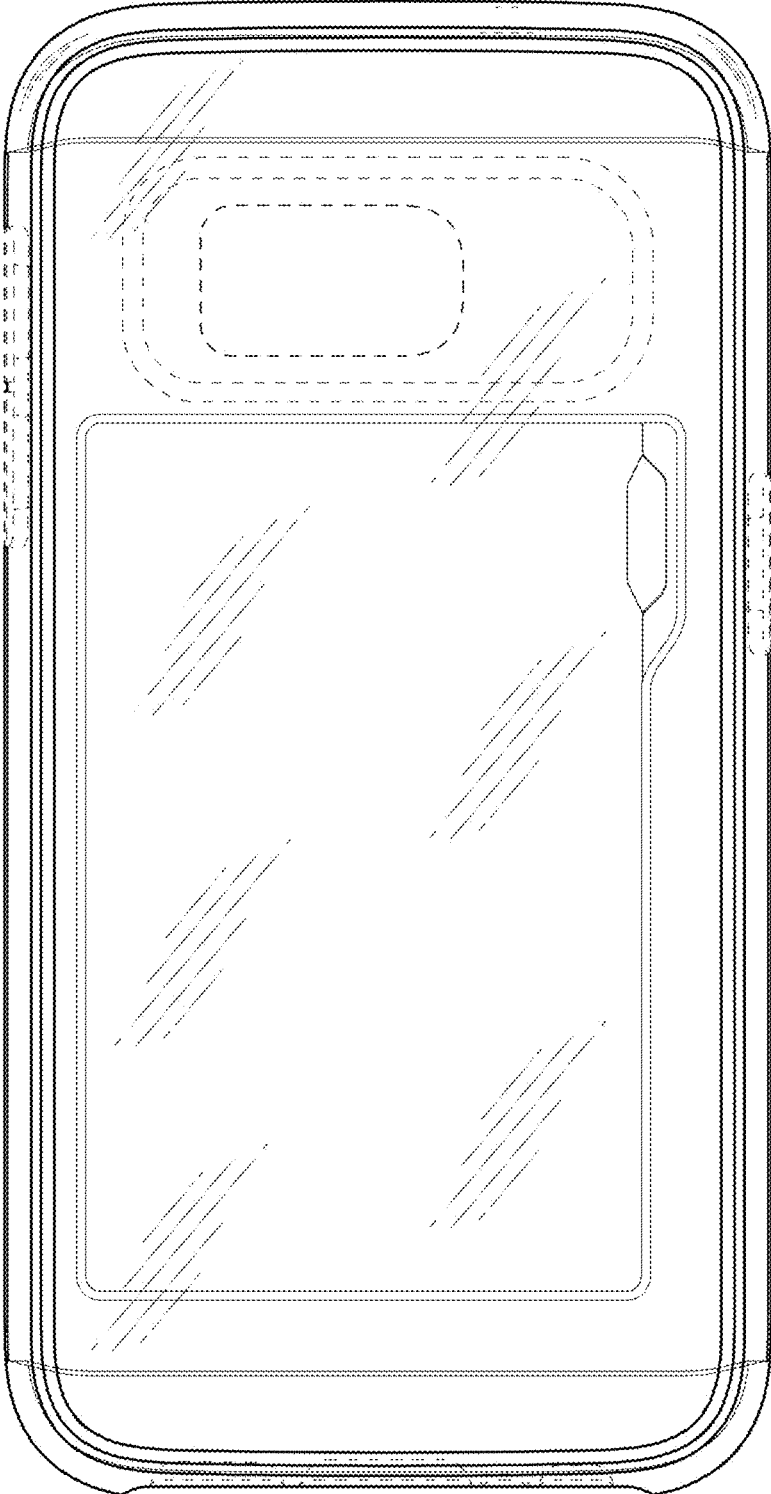


FIG. 4

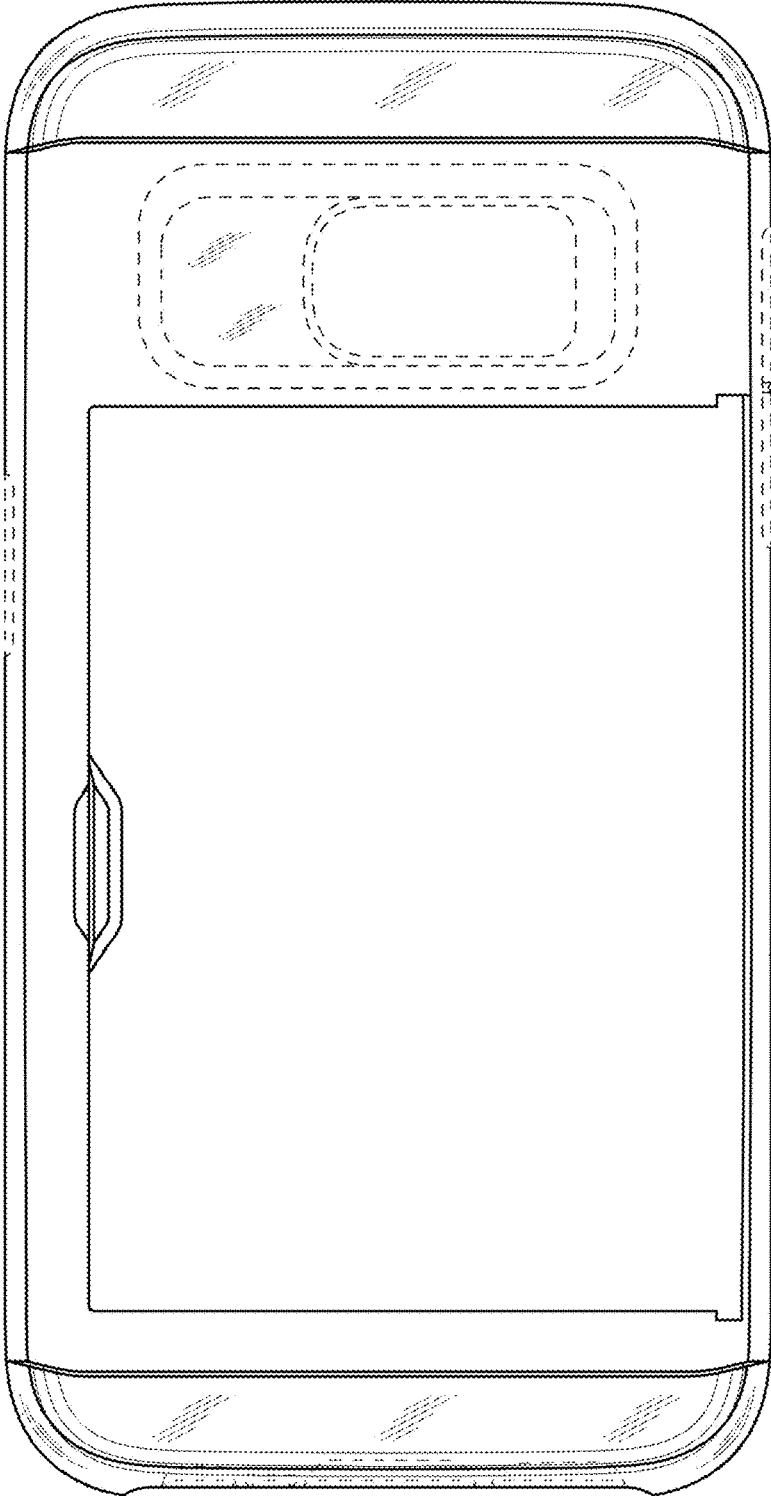


FIG. 5

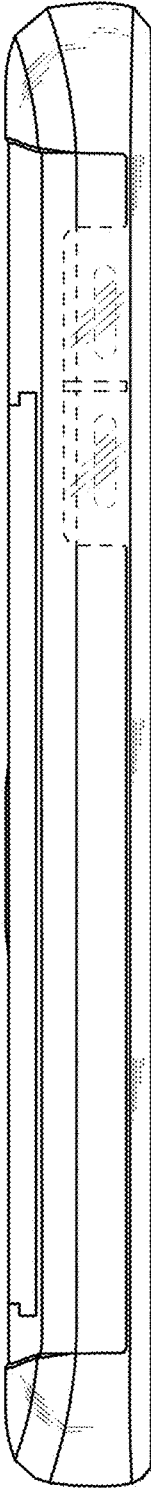


FIG. 6

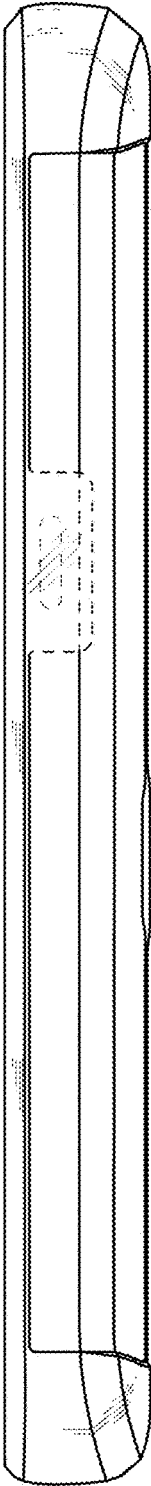


FIG. 7

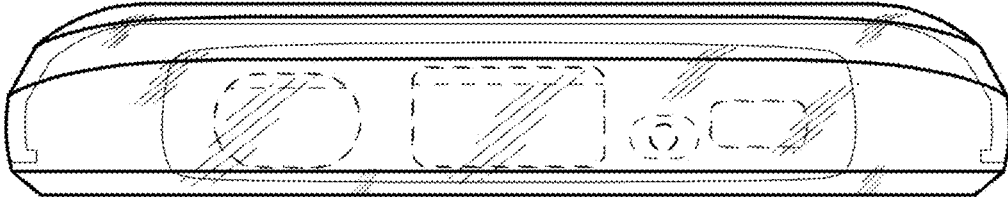


FIG. 8

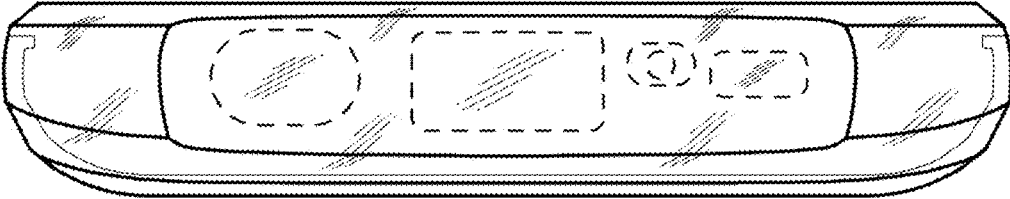


FIG. 9

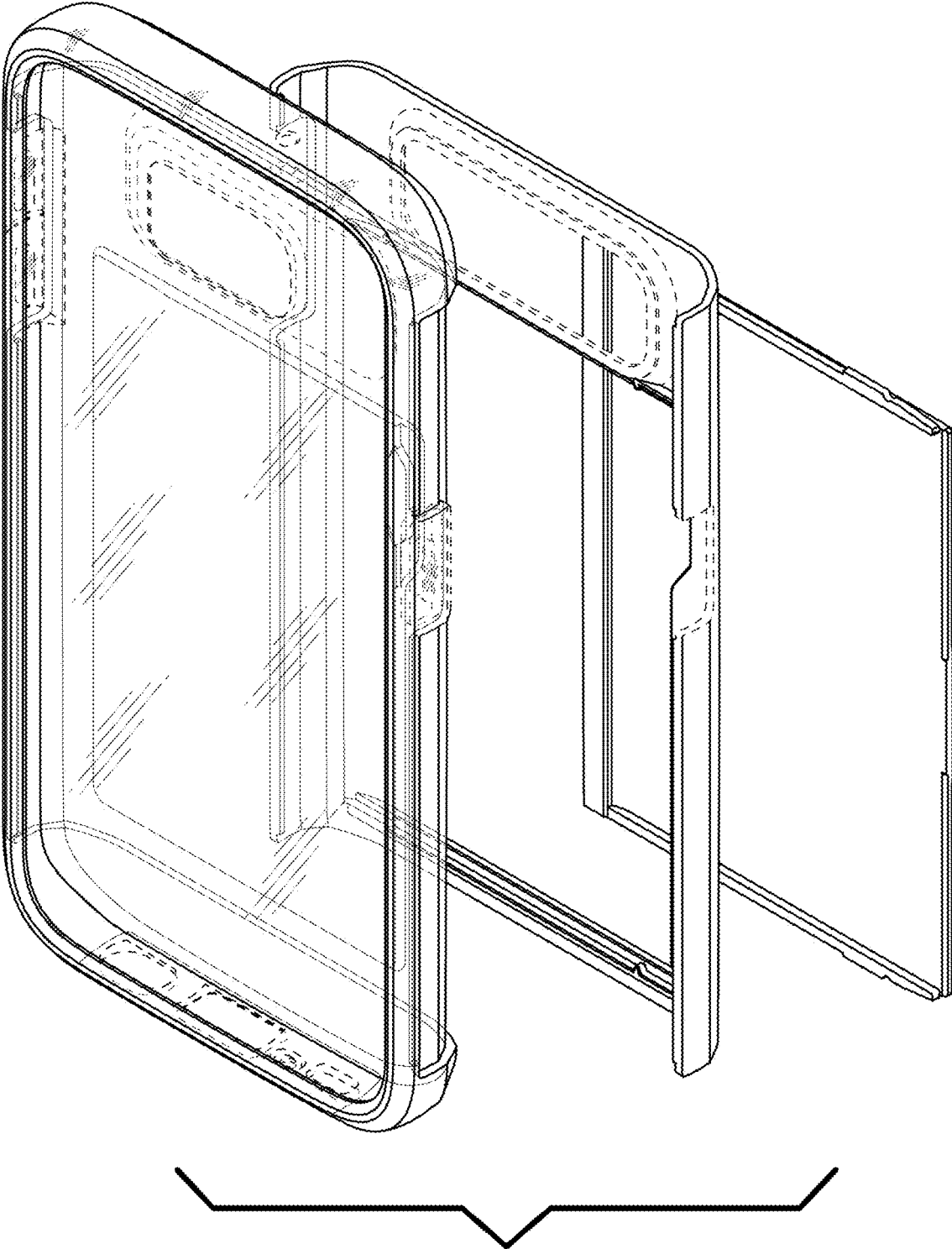


FIG. 10

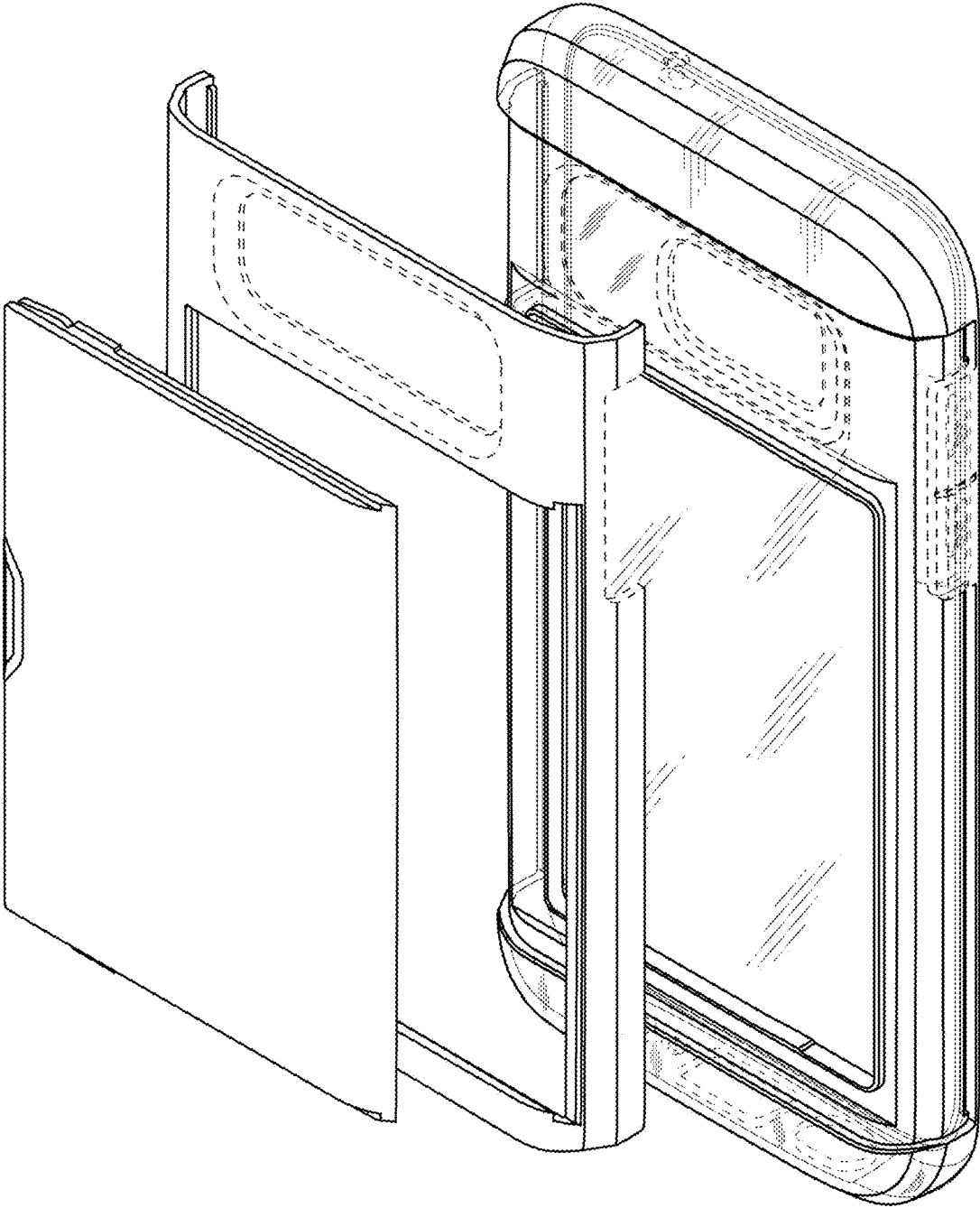


FIG. 11

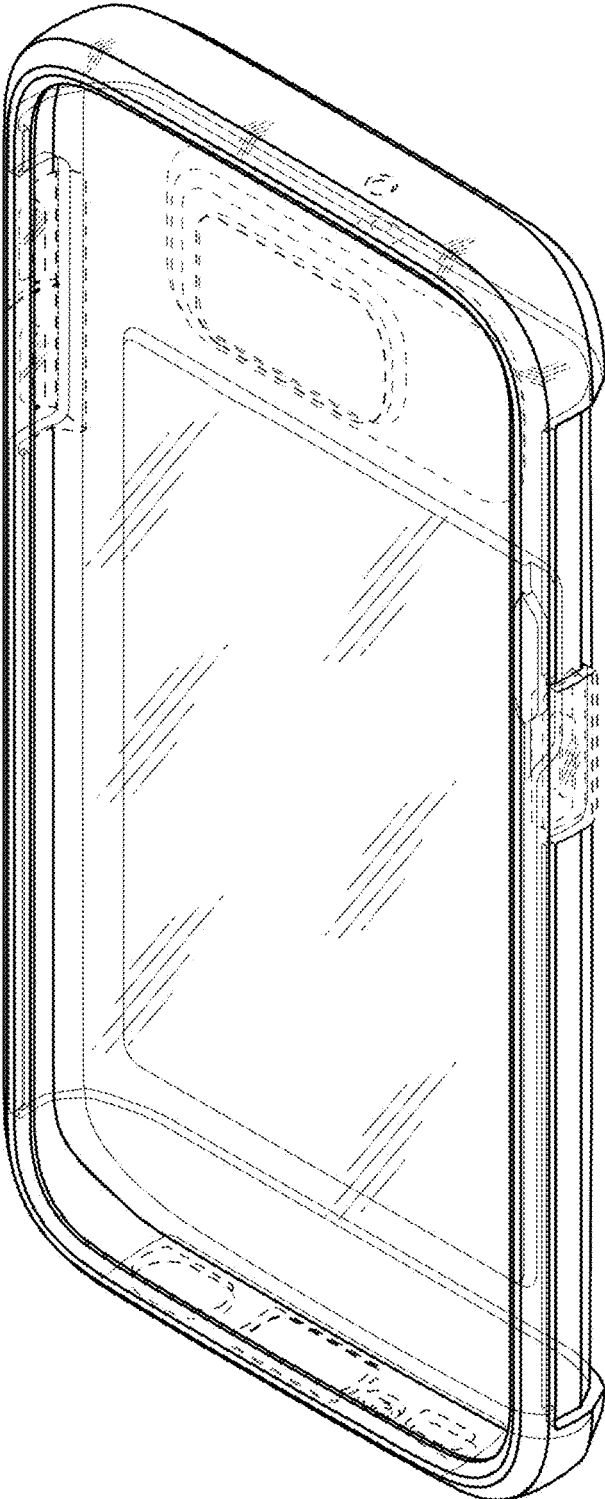


FIG. 12

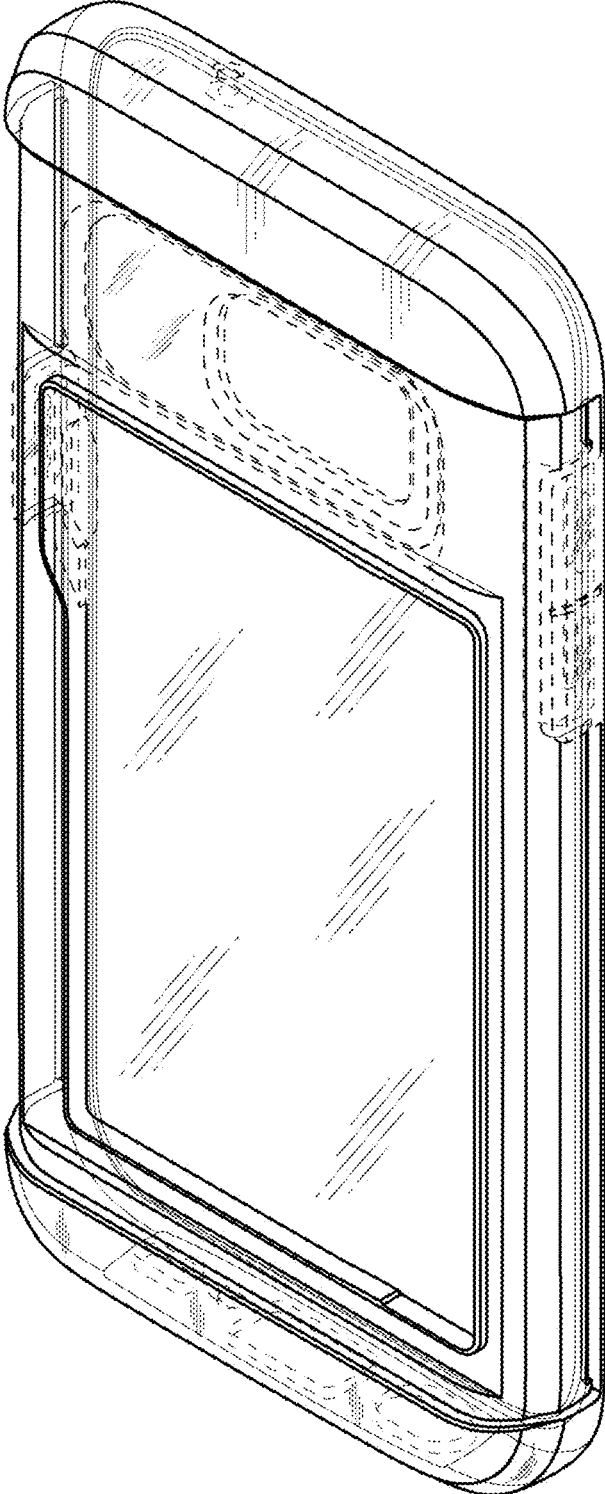


FIG. 13

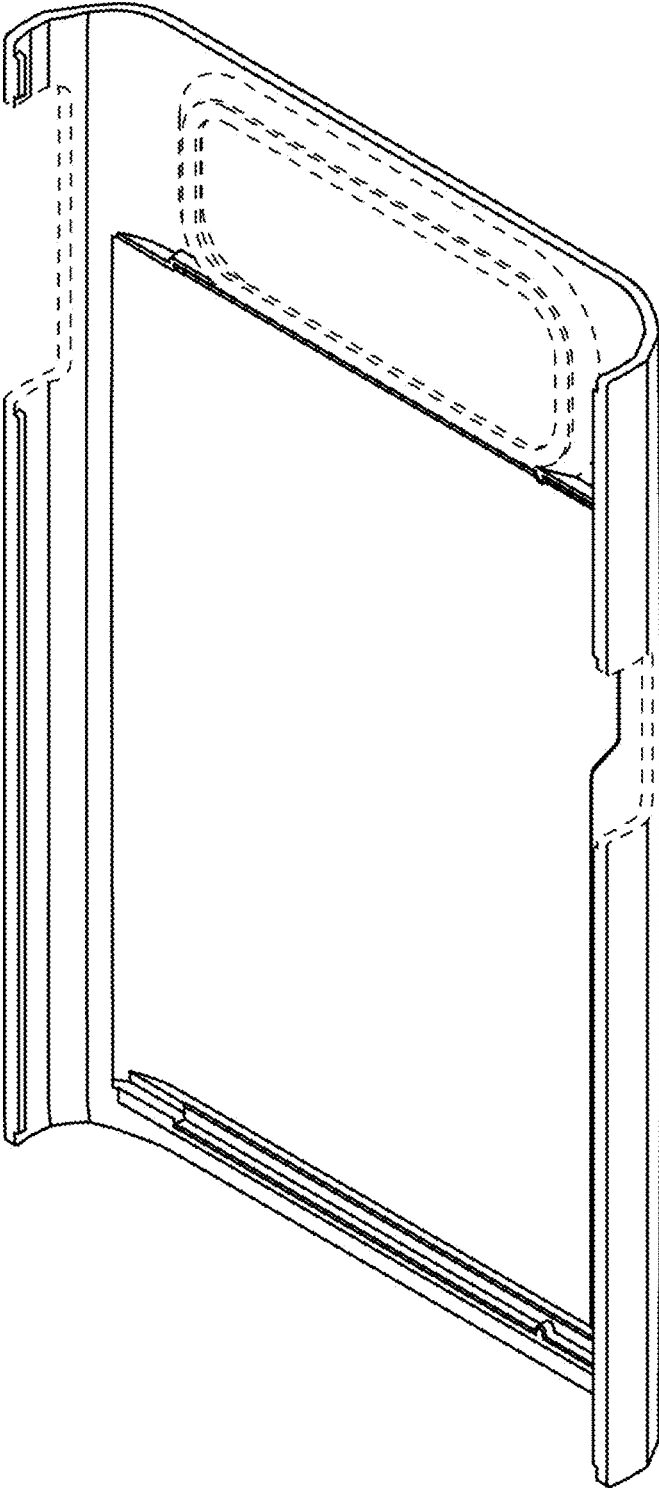


FIG. 14

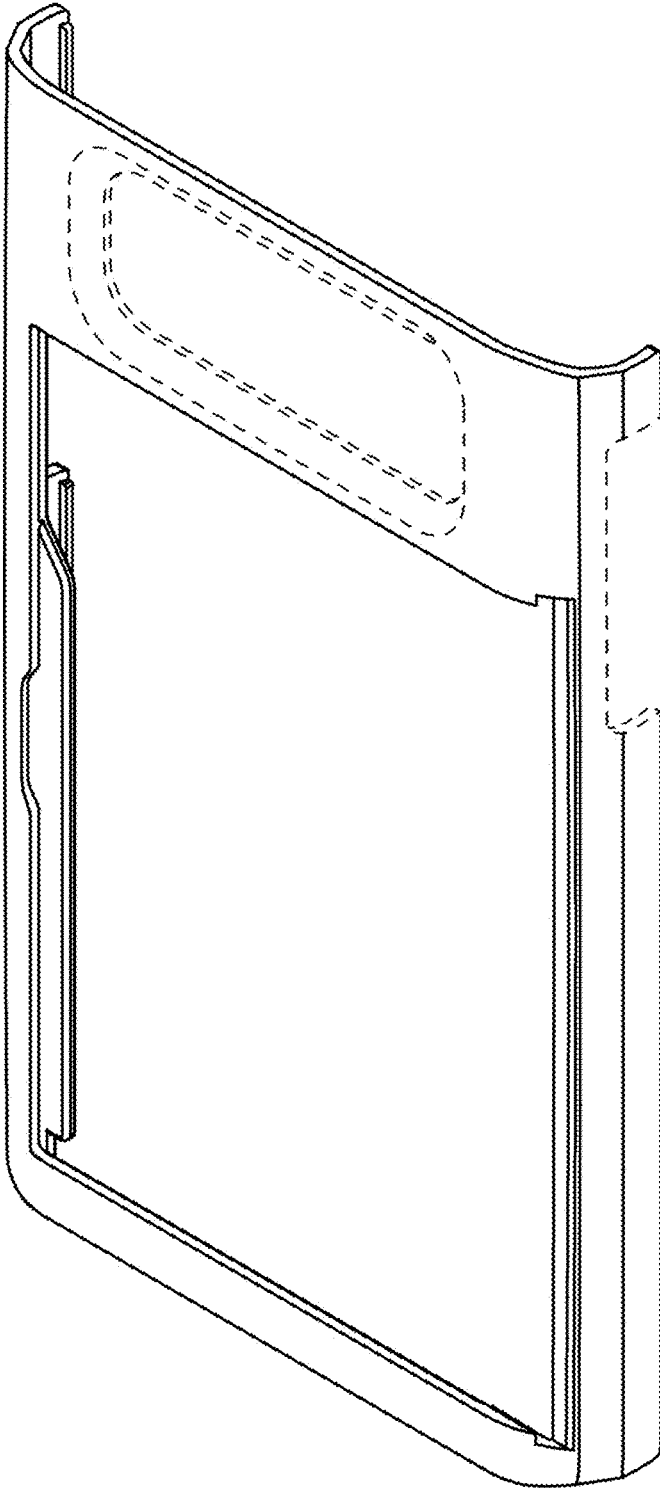


FIG. 15

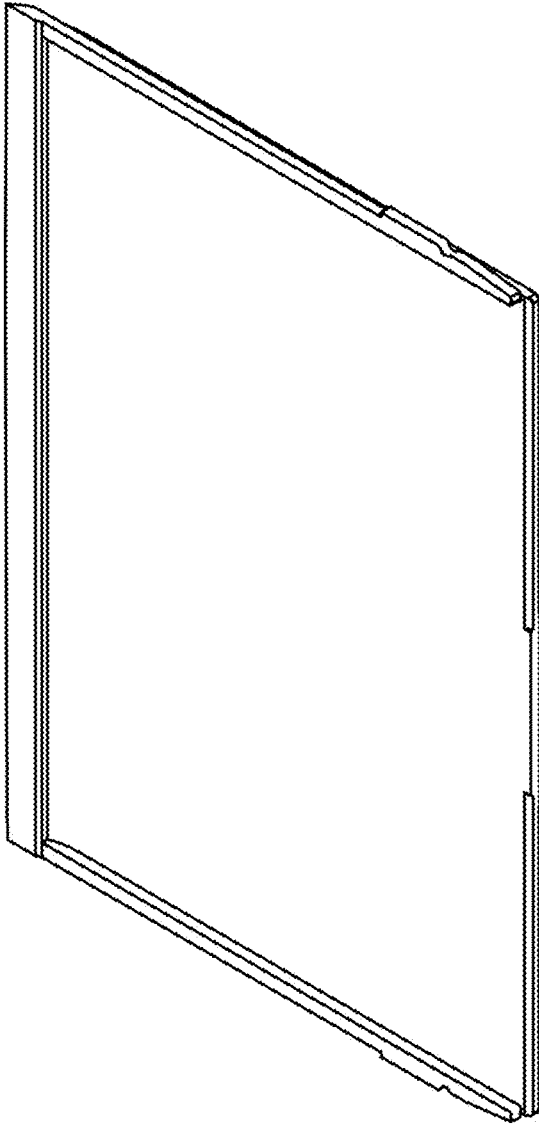


FIG. 16

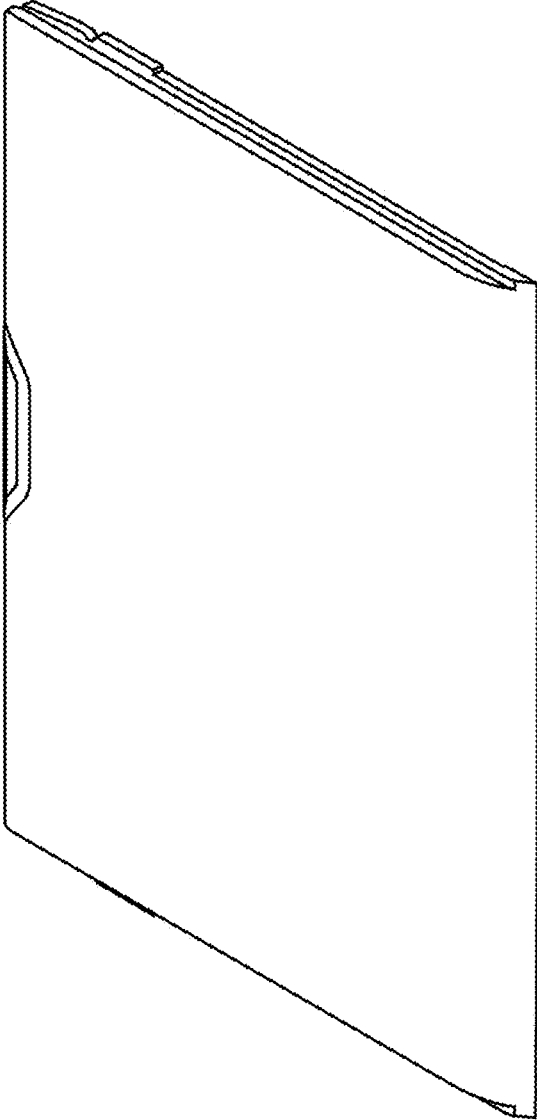


FIG. 17

