

(19) World Intellectual Property Organization  
International Bureau



(43) International Publication Date  
30 November 2006 (30.11.2006)

PCT

(10) International Publication Number  
**WO 2006/128201 A3**

- (51) **International Patent Classification:**  
B42F 11/00 (2006.01) B42F 3/00 (2006.01)
- (21) **International Application Number:**  
PCT/ZA2006/000059
- (22) **International Filing Date:** 25 April 2006 (25.04.2006)
- (25) **Filing Language:** English
- (26) **Publication Language:** English
- (30) **Priority Data:**  
2005/04293 26 May 2005 (26.05.2005) ZA
- (71) **Applicant and**
- (72) **Inventor:** BIEWENGA, Reiner [ZA/ZA]; 593 Gerhard Marais Street, Constantia Park, 0081 Pretoria (ZA).
- (74) **Agent:** HAHN & HAHN INC. WHEELER, CJ, DUNLOP, AJS; WILLIAMS, VW; LUTEREK, JF; MICHAEL, C; VENTER, PRC; BERNDT, C.; 222 Richard Street, Hatfield, 0083 Pretoria (ZA).
- (81) **Designated States** (*unless otherwise indicated, for every kind of national protection available*): AE, AG, AL, AM, AT, AU, AZ, BA, BB, BG, BR, BW, BY, BZ, CA, CH, CN,

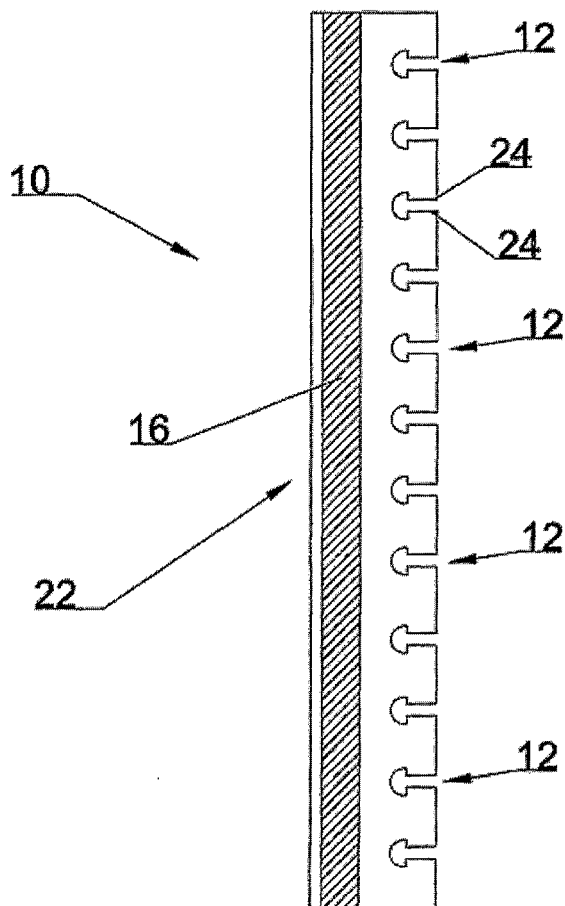
CO, CR, CU, CZ, DE, DK, DM, DZ, EC, EE, EG, ES, FI, GB, GD, GE, GH, GM, HR, HU, ID, IL, IN, IS, JP, KE, KG, KM, KN, KP, KR, KZ, LC, LK, LR, LS, LT, LU, LV, LY, MA, MD, MG, MK, MN, MW, MX, MZ, NA, NG, NI, NO, NZ, OM, PG, PH, PL, PT, RO, RU, SC, SD, SE, SG, SK, SL, SM, SY, TJ, TM, TN, TR, TT, TZ, UA, UG, US, UZ, VC, VN, YU, ZA, ZM, ZW.

- (84) **Designated States** (*unless otherwise indicated, for every kind of regional protection available*): ARIPO (BW, GH, GM, KE, LS, MW, MZ, NA, SD, SL, SZ, TZ, UG, ZM, ZW), Eurasian (AM, AZ, BY, KG, KZ, MD, RU, TJ, TM), European (AT, BE, BG, CH, CY, CZ, DE, DK, EE, ES, FI, FR, GB, GR, HU, IE, IS, IT, LT, LU, LV, MC, NL, PL, PT, RO, SE, SI, SK, TR), OAPI (BF, BJ, CF, CG, CI, CM, GA, GN, GQ, GW, ML, MR, NE, SN, TD, TG).

- Published:**
- with international search report
  - before the expiration of the time limit for amending the claims and to be republished in the event of receipt of amendments

[Continued on next page]

(54) Title: FILING SYSTEM



(57) **Abstract:** The invention provides a strip (10), spine (26) and filing system. The strip includes two or more formations (12) defined along its length, each formation having a resiliently deformably openable slit leading from an edge into a partly or fully enclosed hole defined in the strip, the strip (10) thereby being configured to engage complementary formations (14) provided on a spine (26) for a file. The strip (10) further includes a means (16) for attaching to a sheet.

WO 2006/128201 A3



---

**(88) Date of publication of the international search report:**

11 January 2007

*For two-letter codes and other abbreviations, refer to the "Guidance Notes on Codes and Abbreviations" appearing at the beginning of each regular issue of the PCT Gazette.*

## INTERNATIONAL SEARCH REPORT

International application No

PCT/ZA2006/000059

A. CLASSIFICATION OF SUBJECT MATTER  
 INV. B42F11/00 B42F3/00

According to International Patent Classification (IPC) or to both national classification and IPC

## B. FIELDS SEARCHED

Minimum documentation searched (classification system followed by classification symbols)  
 B42F

Documentation searched other than minimum documentation to the extent that such documents are included in the fields searched

Electronic data base consulted during the international search (name of data base and, where practical, search terms used)

EPO-Internal

## C. DOCUMENTS CONSIDERED TO BE RELEVANT

Category*	Citation of document, with indication, where appropriate, of the relevant passages	Relevant to claim No.
X	DE 201 09 904 U1 (MAX STEIER GMBH & CO [DE]) 15 November 2001 (2001-11-15)	1-5
Y	the whole document	10-14
X	FR 2 832 669 A1 (JOWA SA [FR]) 30 May 2003 (2003-05-30)	6-9
Y	the whole document	10-14
X	GB 1 280 156 A (GROSS COLIN DOUGLAS) 5 July 1972 (1972-07-05)	1-5
Y	the whole document	10-12
X	US 5 888 011 A (REINBOLD JR FREDERICK I [US]) 30 March 1999 (1999-03-30)	6-9
Y	the whole document	10-12
	----- -/--	

Further documents are listed in the continuation of Box C.

See patent family annex.

\* Special categories of cited documents :

"A" document defining the general state of the art which is not considered to be of particular relevance  
 "E" earlier document but published on or after the international filing date  
 "L" document which may throw doubts on priority claim(s) or which is cited to establish the publication date of another citation or other special reason (as specified)  
 "O" document referring to an oral disclosure, use, exhibition or other means  
 "P" document published prior to the international filing date but later than the priority date claimed

"T" later document published after the international filing date or priority date and not in conflict with the application but cited to understand the principle or theory underlying the invention  
 "X" document of particular relevance; the claimed invention cannot be considered novel or cannot be considered to involve an inventive step when the document is taken alone  
 "Y" document of particular relevance; the claimed invention cannot be considered to involve an inventive step when the document is combined with one or more other such documents, such combination being obvious to a person skilled in the art.  
 "&" document member of the same patent family

Date of the actual completion of the international search

26 October 2006

Date of mailing of the international search report

07/11/2006

Name and mailing address of the ISA/

European Patent Office, P.B. 5818 Patentlaan 2  
 NL - 2280 HV Rijswijk  
 Tel. (+31-70) 340-2040, Tx. 31 651 epo nl,  
 Fax: (+31-70) 340-3016

Authorized officer

Duquénoy, Alain

## INTERNATIONAL SEARCH REPORT

International application No  
PCT/ZA2006/000059

C(Continuation). DOCUMENTS CONSIDERED TO BE RELEVANT

Category*	Citation of document, with indication, where appropriate, of the relevant passages	Relevant to claim No.
X	DE 196 41 330 A1 (BEIERSDORF AG [DE]) 9 April 1998 (1998-04-09) the whole document	1-5
Y	DE 101 42 919 A1 (NAWRATH PETER [DE]) 20 March 2003 (2003-03-20) figure 1	1-14
Y	GB 698 331 A (FRANK WILSON) 14 October 1953 (1953-10-14) the whole document	1-14
X	US 6 364 560 B1 (LIN JIEH-LIANG [TW]) 2 April 2002 (2002-04-02) the whole document	6-9
X	GB 2 368 046 A (SNOPAKE INT LTD [GB]) 24 April 2002 (2002-04-24) the whole document	6-9
X	GB 2 366 759 A (SNOPAKE INT LTD [GB]) 20 March 2002 (2002-03-20) the whole document	6-9
A	US 2004/251677 A1 (TSENG RONG CHUN [TW]) 16 December 2004 (2004-12-16) figures 1-4	4,7

## INTERNATIONAL SEARCH REPORT

Information on patent family members

International application No

PCT/ZA2006/000059

Patent document cited in search report	Publication date	Patent family member(s)	Publication date
DE 20109904	U1	15-11-2001	NONE
FR 2832669	A1	30-05-2003	NONE
GB 1280156	A	05-07-1972	NONE
US 5888011	A	30-03-1999	NONE
DE 19641330	A1	09-04-1998	NONE
DE 10142919	A1	20-03-2003	NONE
GB 698331	A	14-10-1953	NONE
US 6364560	B1	02-04-2002	NONE
GB 2368046	A	24-04-2002	NONE
GB 2366759	A	20-03-2002	NONE
US 2004251677	A1	16-12-2004	NONE