



US00D797335S

(12) **United States Design Patent**  
**Brown et al.**

(10) **Patent No.:** **US D797,335 S**

(45) **Date of Patent:** **\*\* Sep. 12, 2017**

(54) **FLASHLIGHT**

(71) Applicant: **Energizer Brands, LLC**, Saint Louis, MO (US)

(72) Inventors: **John Robert Brown**, Sydney (AU);  
**William R. Narpes**, North Ridgeville, OH (US)

(73) Assignee: **Energizer Brands, LLC**, St. Louis, MO (US)

(\*\*) Term: **15 Years**

(21) Appl. No.: **29/547,297**

(22) Filed: **Dec. 2, 2015**

(51) **LOC (10) Cl.** ..... **26-02**

(52) **U.S. Cl.**  
USPC ..... **D26/48; D26/37**

(58) **Field of Classification Search**  
USPC ..... D26/37, 38, 42, 46, 50, 362, 48, 41, 45;  
362/202, 208, 800, 203; D15/9  
CPC ..... F21Y 2101/00; F21K 9/00; F21L 7/00;  
F21L 21/00; F21L 2/00; F21L 17/00  
See application file for complete search history.

(56) **References Cited**

**U.S. PATENT DOCUMENTS**

D280,936 S *	10/1985	Dinsmore	D26/48
D287,293 S *	12/1986	Wang	417/313
D291,838 S *	9/1987	Tung	D26/48
D292,321 S *	10/1987	Liu	D26/48
D351,478 S *	10/1994	Welton	D26/48
D351,673 S *	10/1994	Fenne	D26/48
D356,650 S *	3/1995	Petterson	D26/48
D394,322 S *	5/1998	Dalton	D26/48
D407,413 S *	3/1999	Wang	D15/9
D428,176 S *	7/2000	Bamber	D26/46
D434,423 S *	11/2000	Wang	D15/9
D445,935 S *	7/2001	Shing	D26/50
D452,022 S *	12/2001	Osiecki	D26/48
D476,104 S *	6/2003	Dalton	D26/48

6,629,767 B2 *	10/2003	Osiecki	F21L 4/00
			362/194
D485,628 S *	1/2004	Yuen	D26/37
D486,257 S *	2/2004	Kingston	D26/42
D487,162 S *	2/2004	Lap Hon	D26/37
D506,847 S *	6/2005	Hussaini	D26/46

(Continued)

**FOREIGN PATENT DOCUMENTS**

AU WO 2004088204 A1 \* 10/2004 ..... F21L 4/08

**OTHER PUBLICATIONS**

NPL #1: Dolphin Eveready LED Lantern, posted at facebook.com/DolphinAustralia, posting date Oct. 29, 2014, © 2016 Facebook, [online], [site visited Sep. 28, 2016]. Available from Internet, <URL: [https://www.facebook.com/DolphinAustralia/photos/a.572970036065385.137627.566073066755082/914460221916363/?type=3&theater.\\*](https://www.facebook.com/DolphinAustralia/photos/a.572970036065385.137627.566073066755082/914460221916363/?type=3&theater.*)>

(Continued)

*Primary Examiner* — Lakiya Rogers  
*Assistant Examiner* — Altaira Swangin  
(74) *Attorney, Agent, or Firm* — Alston & Bird LLP

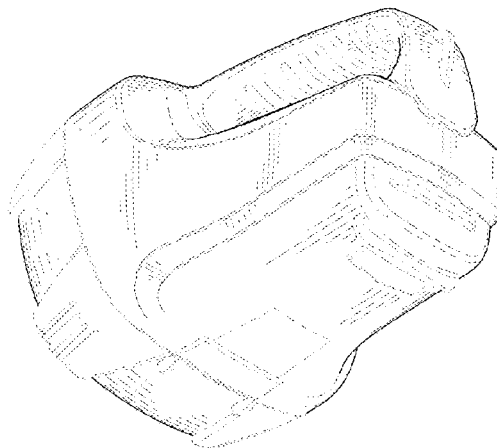
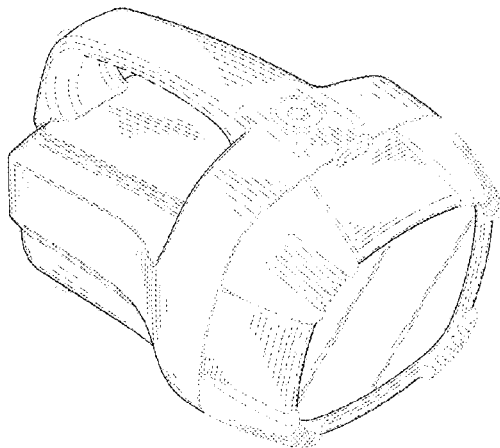
(57) **CLAIM**

The ornamental design for a flashlight, as shown and described.

**DESCRIPTION**

FIG. 1 is a front perspective view of the design;  
FIG. 2 is a rear perspective view of the design;  
FIG. 3 is a side view of the design;  
FIG. 4 is a side view of the design;  
FIG. 5 is a front view of the design;  
FIG. 6 is a rear view of the design;  
FIG. 7 is a top view of the design; and,  
FIG. 8 is a bottom view of the design.  
The broken lines shown represent unclaimed portions of the article and form no part of the claimed design.

**1 Claim, 6 Drawing Sheets**



(56)

References Cited

U.S. PATENT DOCUMENTS

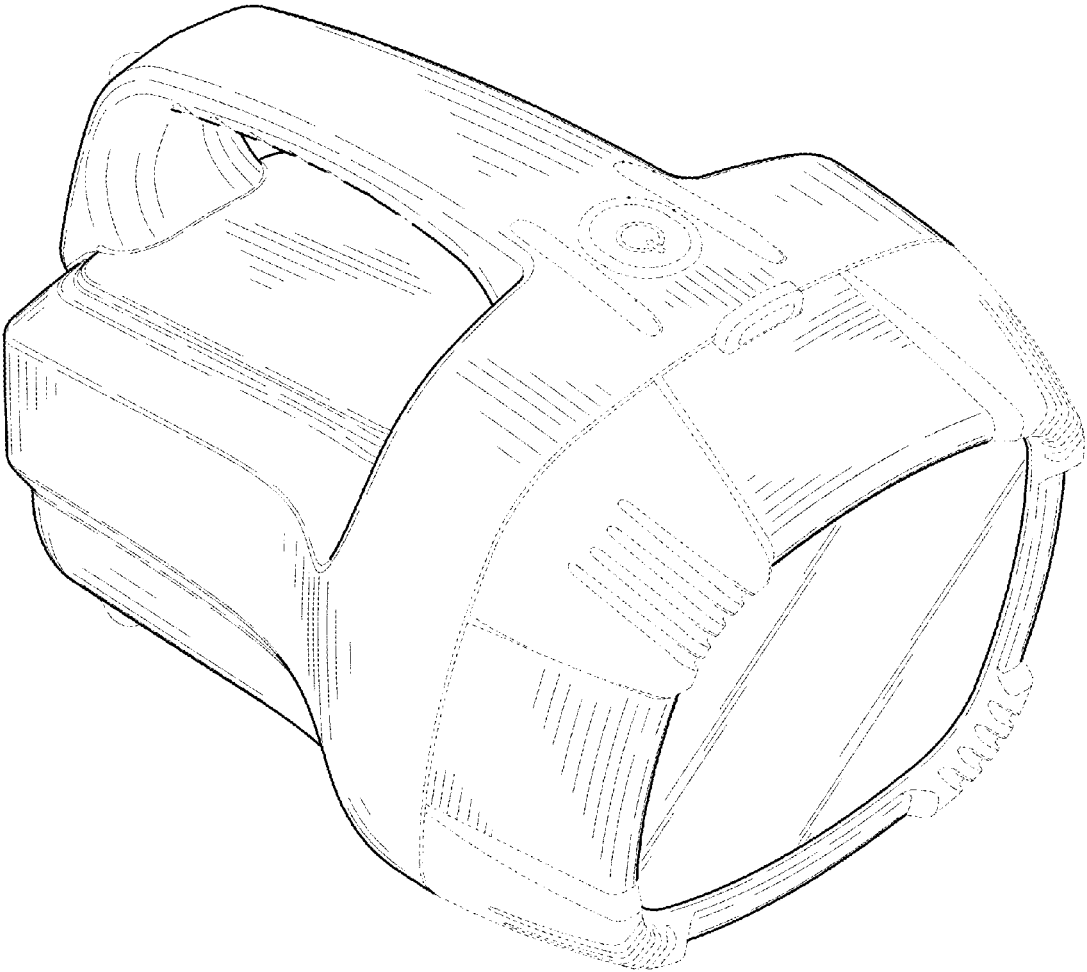
D520,161 S \* 5/2006 Krieger ..... D26/37  
 D529,926 S \* 10/2006 Krieger ..... D15/9  
 D531,336 S \* 10/2006 Yuen ..... D26/46  
 D544,122 S \* 6/2007 Yuen ..... D26/46  
 D553,281 S \* 10/2007 Rugendyke ..... D26/46  
 D569,022 S \* 5/2008 Lin ..... D26/46  
 7,393,117 B2 \* 7/2008 Dalton ..... F21L 4/08  
 362/157  
 D599,924 S \* 9/2009 Schoch ..... D26/44  
 D611,631 S \* 3/2010 Hsu ..... D26/40  
 D623,784 S \* 9/2010 Yamamoto ..... D26/45  
 D650,934 S \* 12/2011 Yuen ..... D26/41  
 D657,901 S \* 4/2012 Cheung Shing Hei ..... D26/45  
 D702,863 S \* 4/2014 Kotsis ..... D26/37  
 D703,354 S \* 4/2014 Kotsis ..... D26/37  
 D703,355 S \* 4/2014 Kotsis ..... D26/37  
 D707,867 S \* 6/2014 Kotsis ..... D26/39  
 D713,078 S \* 9/2014 Shen ..... D26/41  
 D742,570 S \* 11/2015 Brown ..... D26/46  
 D748,308 S \* 1/2016 Zhang ..... D26/37

D752,793 S \* 3/2016 Ng ..... D26/48  
 D774,674 S \* 12/2016 Hanwell ..... D26/50  
 2003/0039118 A1 \* 2/2003 Osiecki ..... F21L 4/00  
 362/208

OTHER PUBLICATIONS

NPL #2: Dolphin Eveready LED Lantern torch, posted at boatpoint.com/au, posting date Sep. 23, 2013, © 1999-2016 carsales.com Limited, [online], [site visited Sep. 28, 2016]. Available from Internet, <URL: <http://www.boatpoint.com.au/editorial/news/2013/brightest-eveready-dolphin-ever-38985>>.\*  
 NPL #3: Dolphin Eveready LED Lantern, posted at youtube.com, posting date Aug. 26, 2013 by Dolphin Australia, © Standard YouTube License, [online], [site visited Sep. 28, 2016]. Available from Internet, <URL: <https://www.youtube.com/watch?v=Mfthoa4eNWX4>>.\*  
[http://www.bunnings.com.au/eiger-3w-cree-led-waterproof-tank-spotlight-\\_p4410551](http://www.bunnings.com.au/eiger-3w-cree-led-waterproof-tank-spotlight-_p4410551).

\* cited by examiner



**Fig. 1**

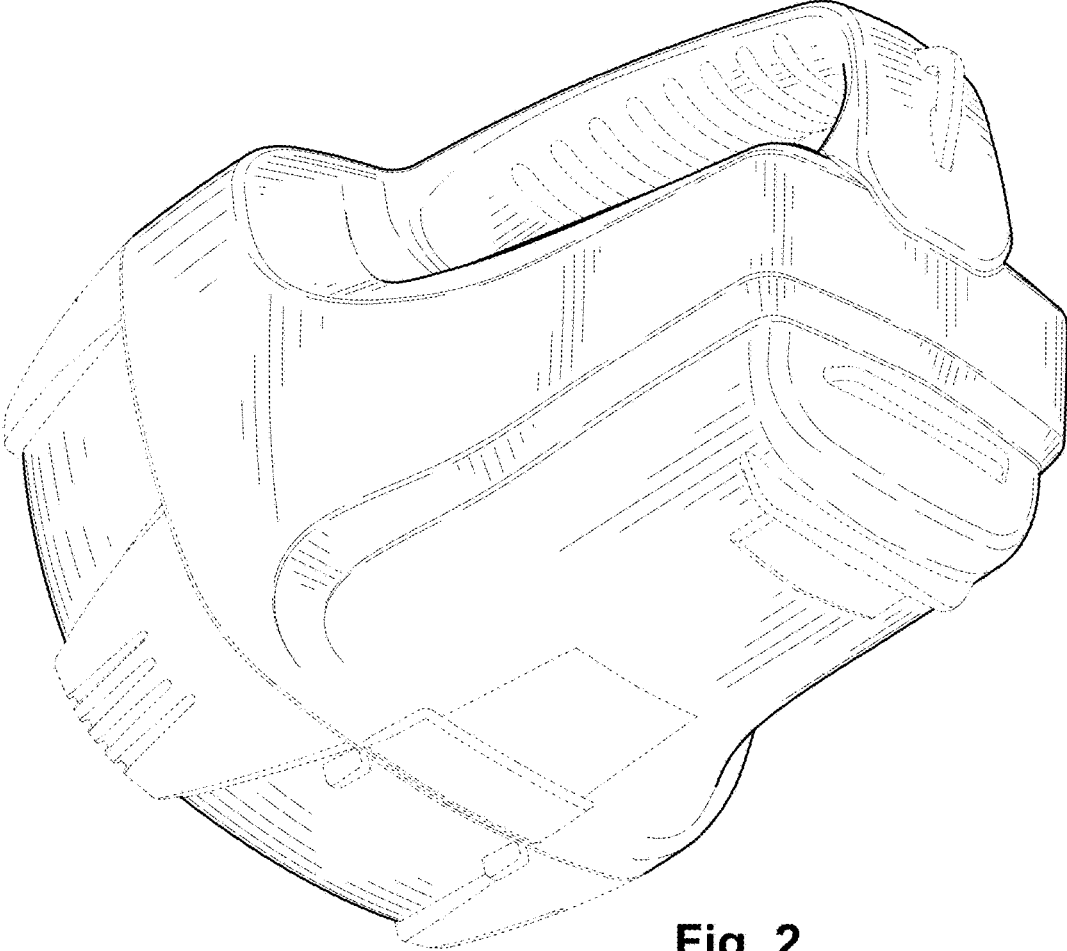


Fig. 2

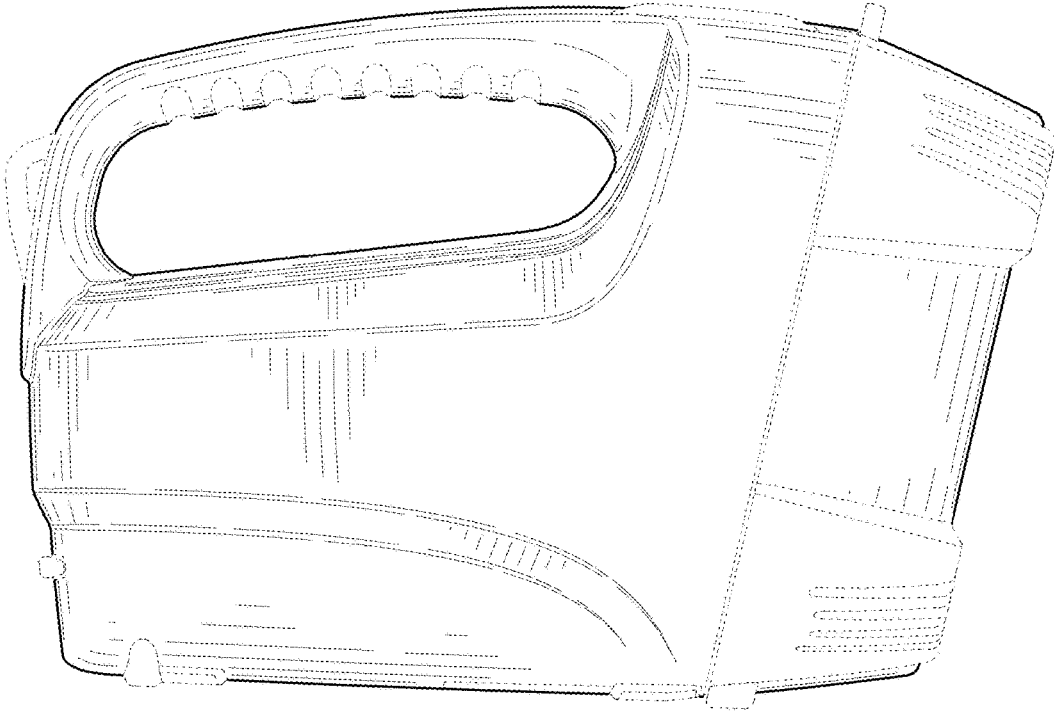


Fig. 3

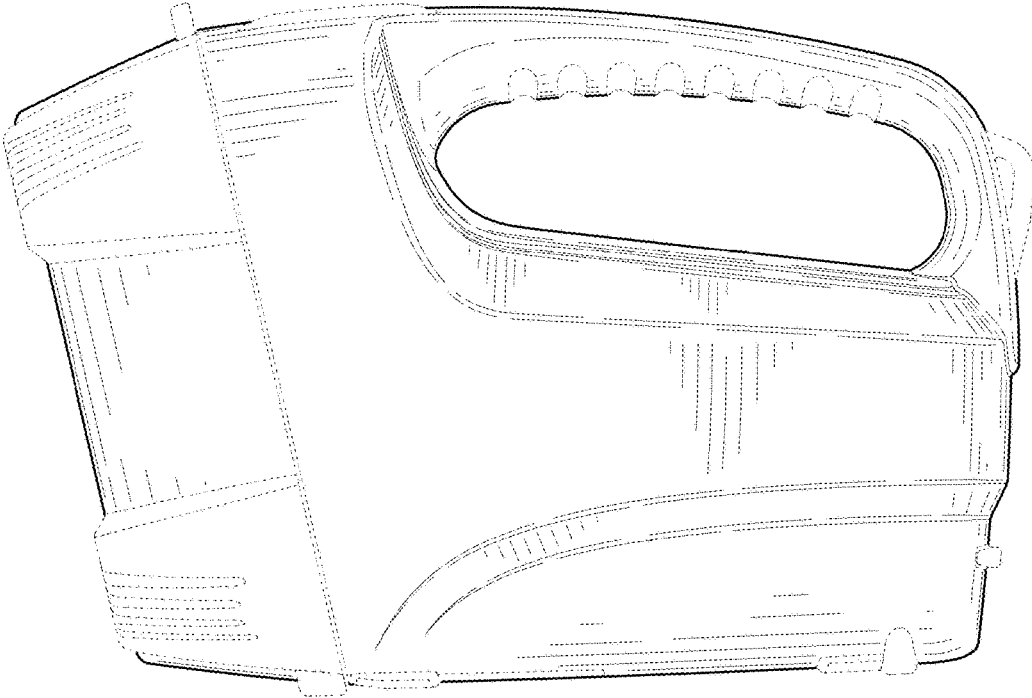
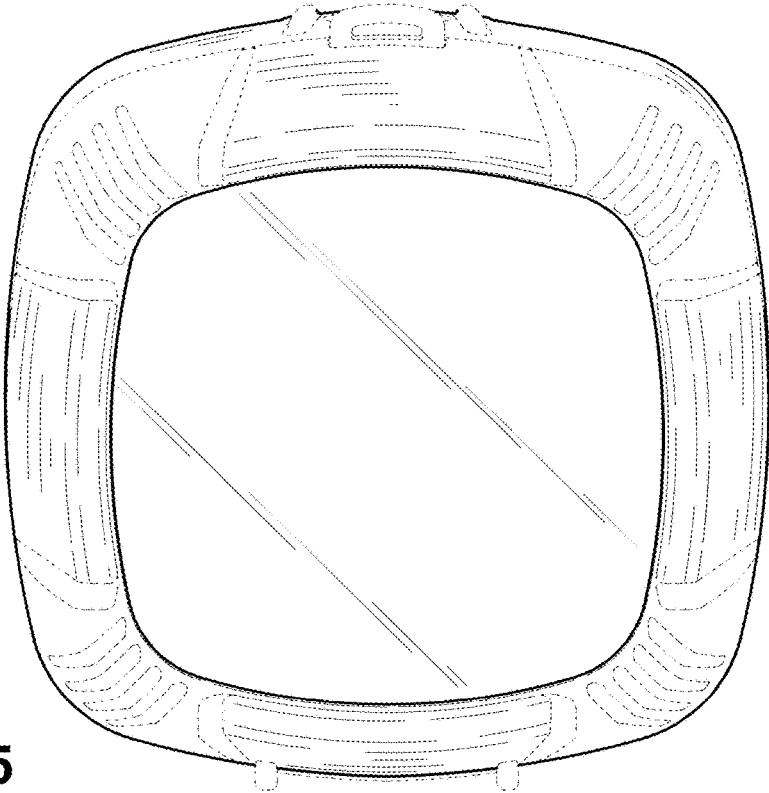
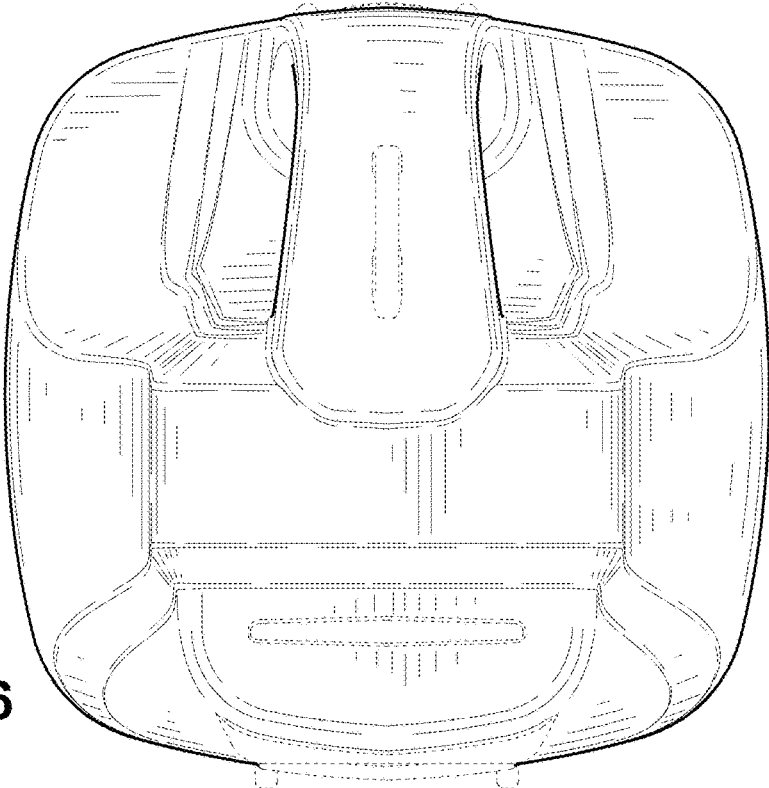


Fig. 4



**Fig. 5**



**Fig. 6**

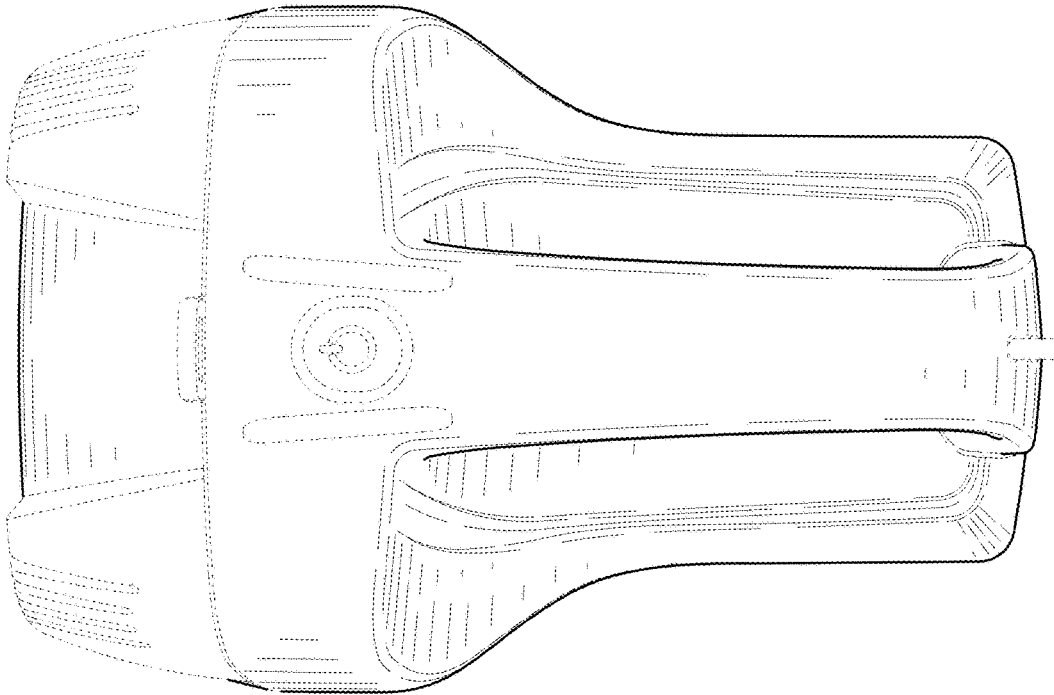


Fig. 7

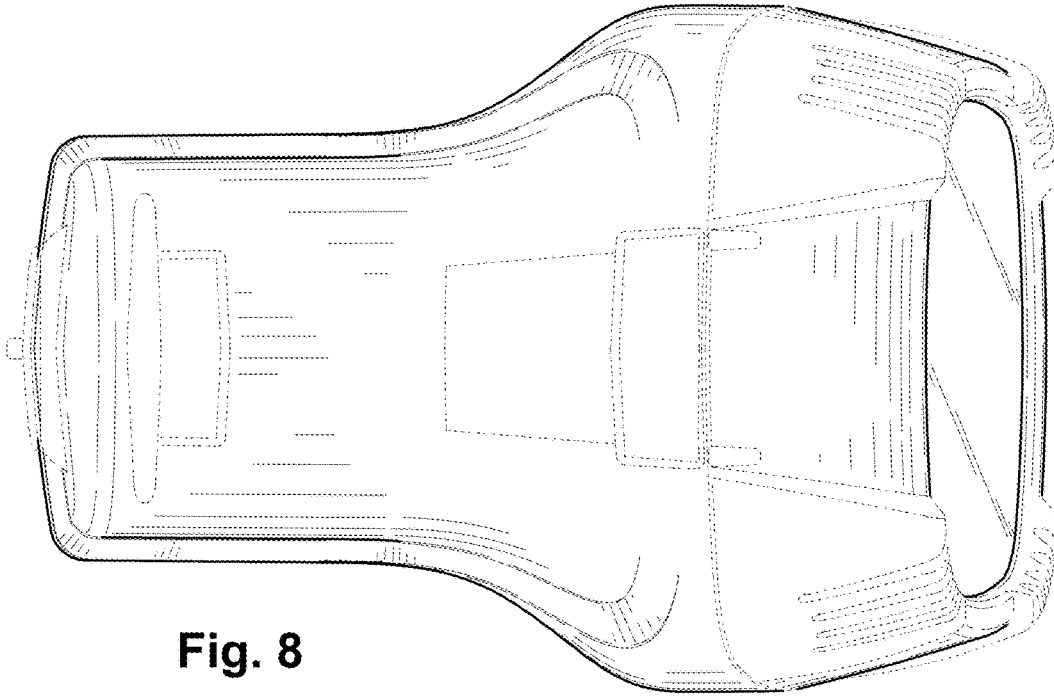


Fig. 8