



US00D346080S

# United States Patent [19]

[11] Patent Number: Des. 346,080

Weis

[45] Date of Patent: \*\* Apr. 19, 1994

## [54] PATIO TABLE

[76] Inventor: Jeffrey A. Weis, 222 Hemlock Dr., McMurray, Pa. 15317

[\*\*] Term: 14 Years

[21] Appl. No.: 277

[22] Filed: Oct. 9, 1992

[52] U.S. Cl. .... D6/452; D6/486; D6/488

[58] Field of Search ..... D6/480, 482-489, D6/495, 497, 429, 451-453; 108/150, 153, 156, 161

## [56] References Cited

### U.S. PATENT DOCUMENTS

|            |        |          |       |        |
|------------|--------|----------|-------|--------|
| D. 72,342  | 4/1927 | Bach     | ..... | D6/452 |
| D. 78,977  | 7/1929 | Kehoe    | ..... | D6/495 |
| D. 185,305 | 5/1959 | Molla    | ..... | D6/486 |
| D. 194,467 | 1/1963 | Slosberg | ..... | D6/486 |

## OTHER PUBLICATIONS

*Interior Design Market*, Sep. 1990, p. 29, table.

*Primary Examiner*—Nelson C. Holtje

*Assistant Examiner*—J. E. Seeger

*Attorney, Agent, or Firm*—Arnold B. Silverman

## [57] CLAIM

The ornamental design for patio table, as shown and described.

## DESCRIPTION

FIG. 1 is a perspective view of the patio table of the present invention;

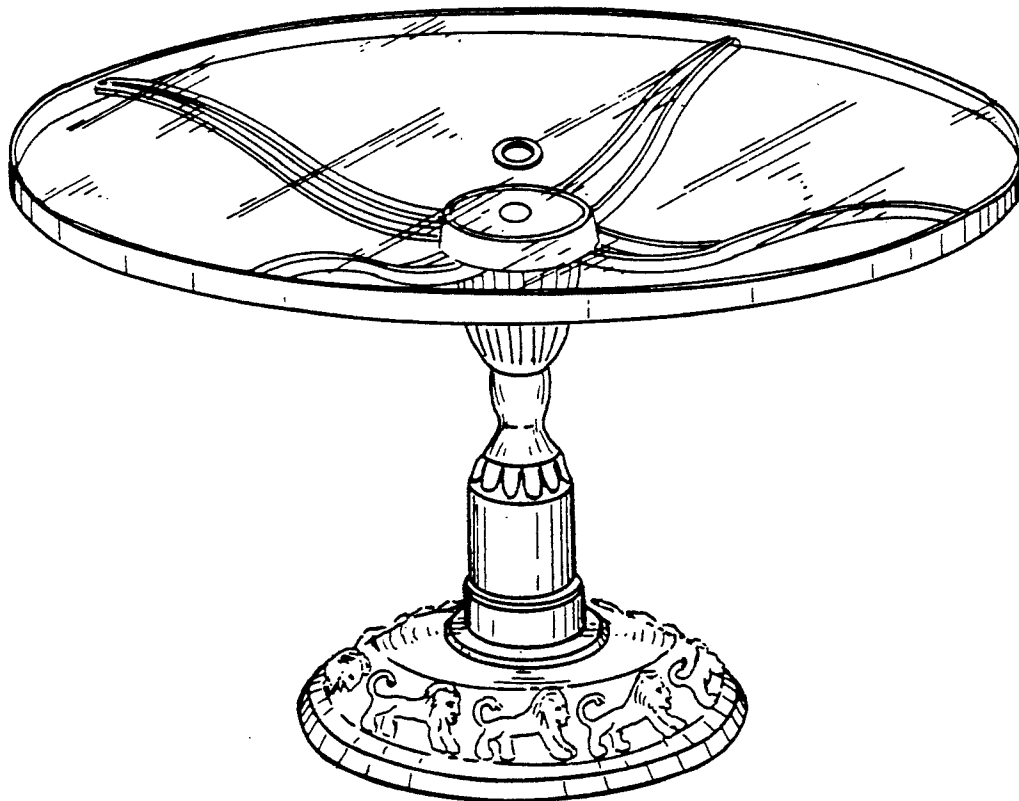
FIG. 2 is a top plan view of the patio table of FIG. 1;

FIG. 3 is a bottom plan view of the patio table of FIG. 1;

FIG. 4 is an elevational view of the patio table of FIG. 1; and,

FIG. 5 is a cross-sectional illustration of the patio table taken through 5—5 of FIG. 4.

The characteristic feature of the design resides in the ornamentation on the upper surface of the table pedestal base.



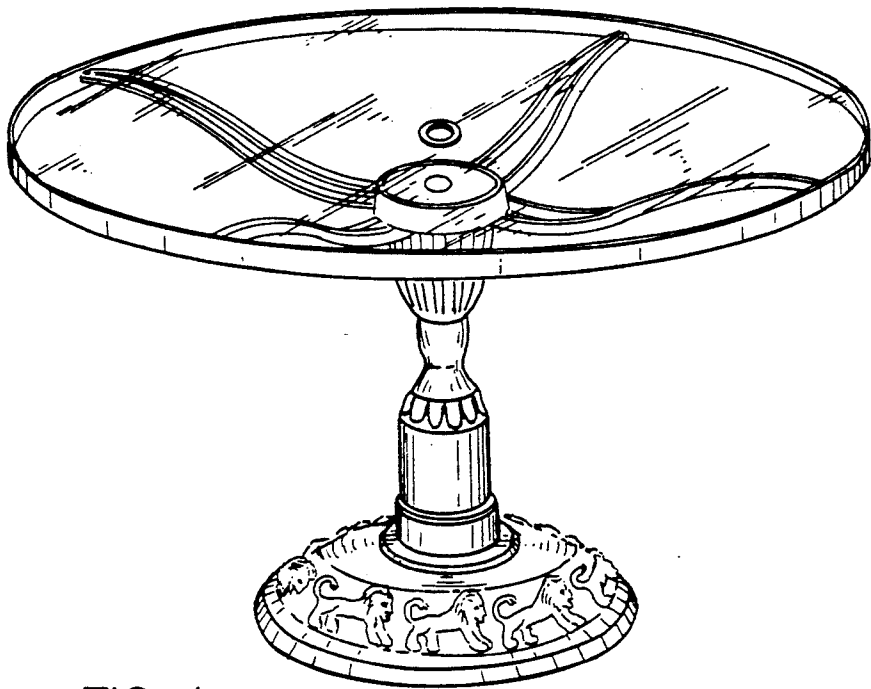


FIG. 1

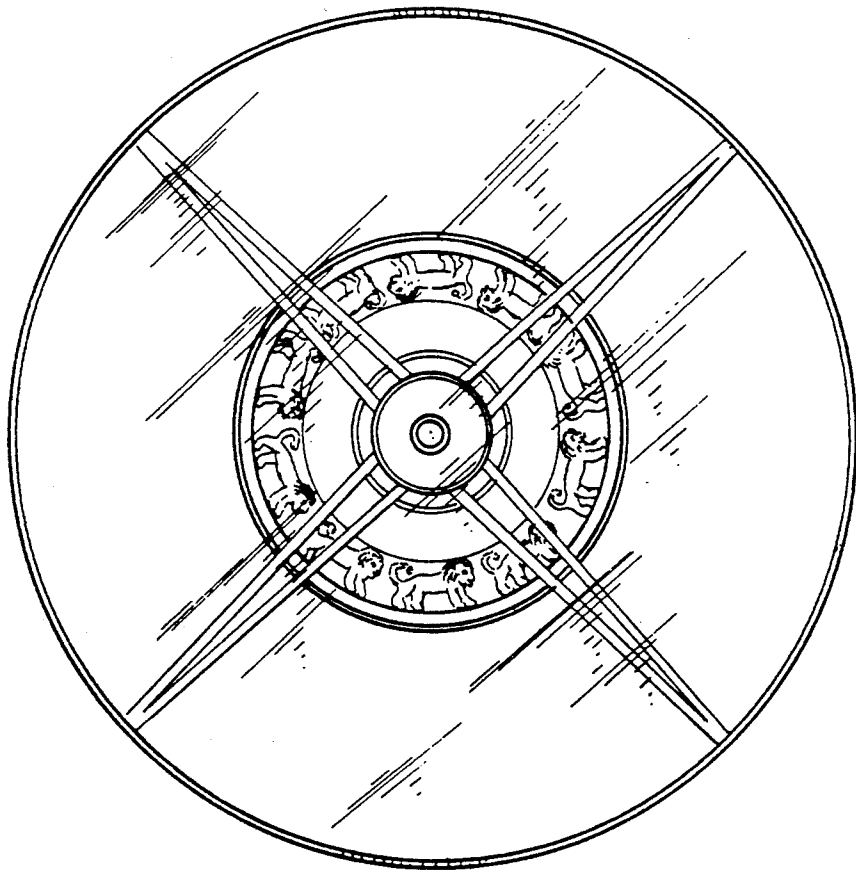


FIG. 2

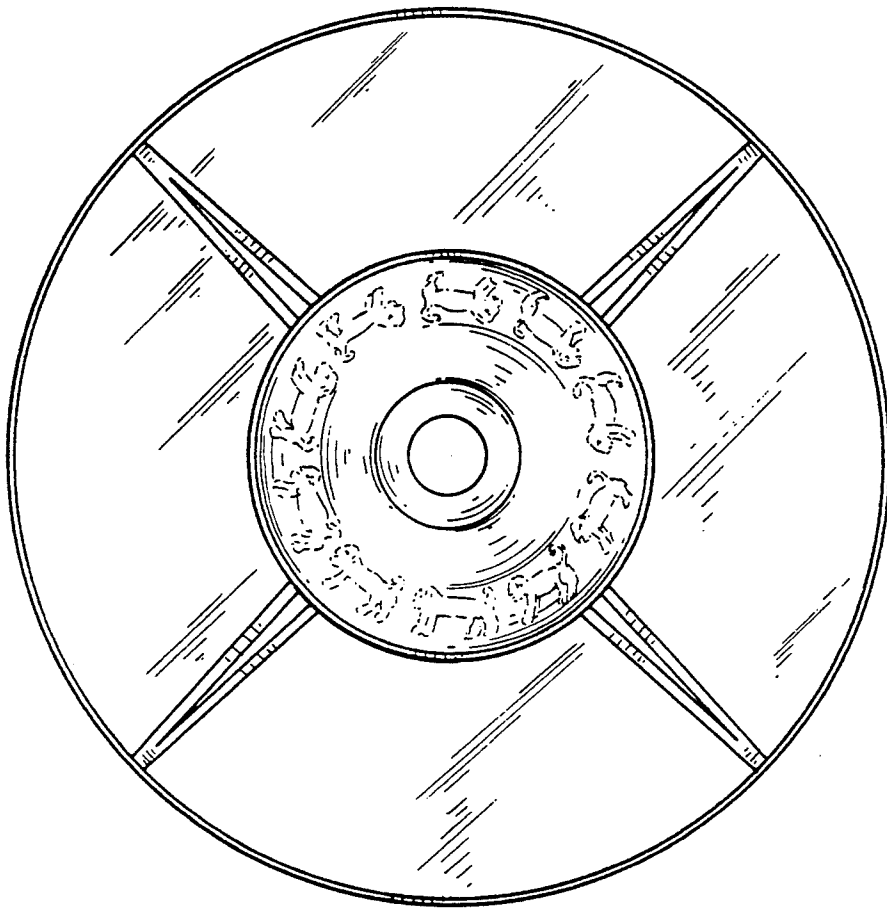


FIG. 3

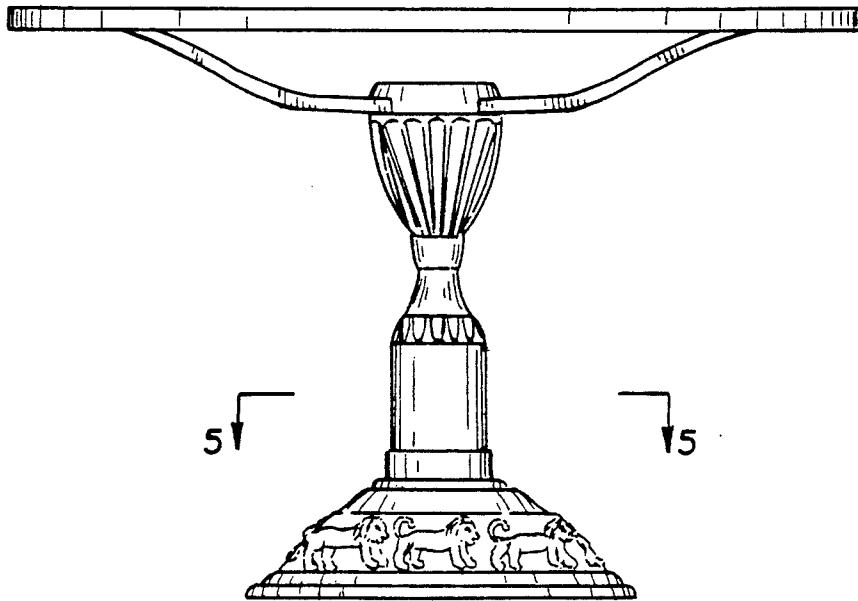


FIG. 4



FIG. 5

UNITED STATES PATENT AND TRADEMARK OFFICE  
CERTIFICATE OF CORRECTION

PATENT NO. : Des. 346,080  
DATED : April 19, 1994  
INVENTOR(S) : JEFFREY A. WEISS

It is certified that error appears in the above-identified patent and that said Letters Patent is hereby corrected as shown below:

Cover page, item 76, "Weis" should be --Weiss--.

Signed and Sealed this  
Sixteenth Day of August, 1994

Attest:



BRUCE LEHMAN

Attesting Officer

Commissioner of Patents and Trademarks