

(19) World Intellectual Property
Organization
International Bureau



(43) International Publication Date
10 September 2004 (10.09.2004)

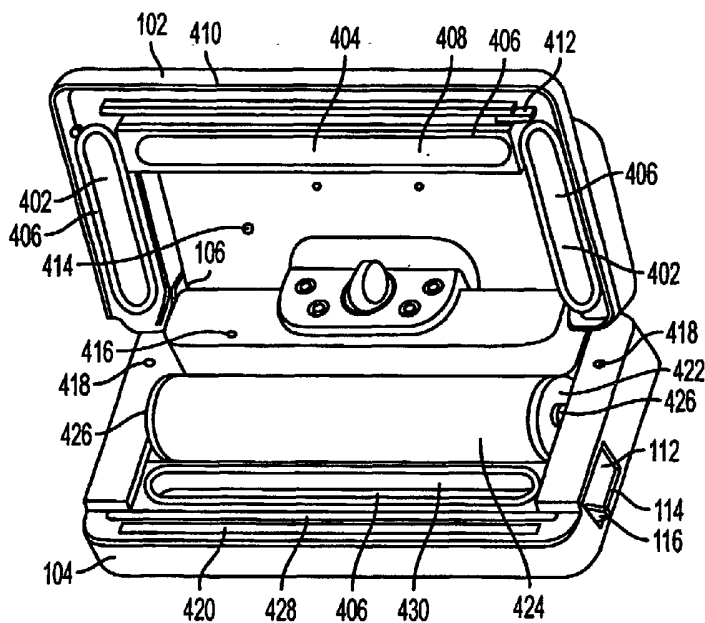
PCT

(10) International Publication Number
WO 2004/076283 A3

- (51) International Patent Classification⁷: B65B 31/02, 31/04
- (21) International Application Number: PCT/US2004/005894
- (22) International Filing Date: 27 February 2004 (27.02.2004)
- (25) Filing Language: English
- (26) Publication Language: English
- (30) Priority Data:
60/450,295 27 February 2003 (27.02.2003) US
60/450,528 27 February 2003 (27.02.2003) US
10/789,451 26 February 2004 (26.02.2004) US
- (71) Applicant (for all designated States except US): TILIA INTERNATIONAL, INC. [US/US]; 303 Second Street, North Tower, Fifth Floor, San Francisco, CA 94107 (US).
- (72) Inventor; and
(75) Inventor/Applicant (for US only): BAPTISTA, Alexandre [US/US]; Dublin, CA (US).
- (74) Agent: COLEMAN, Brian, R.; Perkins Coie LLP, 101 Jefferson Drive, Menlo Park, CA 94025 (US).
- (81) Designated States (unless otherwise indicated, for every kind of national protection available): AE, AG, AL, AM, AT, AU, AZ, BA, BB, BG, BR, BW, BY, BZ, CA, CH, CN, CO, CR, CU, CZ, DE, DK, DM, DZ, EC, EE, EG, ES, FI, GB, GD, GE, GH, GM, HR, HU, ID, IL, IN, IS, JP, KE, KG, KP, KR, KZ, LC, LK, LR, LS, LT, LU, LV, MA, MD, MG, MK, MN, MW, MX, MZ, NA, NI, NO, NZ, OM, PG, PH, PL, PT, RO, RU, SC, SD, SE, SG, SK, SL, SY, TJ, TM, TN, TR, TT, TZ, UA, UG, US, UZ, VC, VN, YU, ZA, ZM, ZW.
- (84) Designated States (unless otherwise indicated, for every kind of regional protection available): ARIPO (BW, GH, GM, KE, LS, MW, MZ, SD, SL, SZ, TZ, UG, ZM, ZW), Eurasian (AM, AZ, BY, KG, KZ, MD, RU, TJ, TM), European (AT, BE, BG, CH, CY, CZ, DE, DK, EE, ES, FI, FR, GB, GR, HU, IE, IT, LU, MC, NL, PT, RO, SE, SI, SK, TR), OAPI (BF, BJ, CF, CG, CI, CM, GA, GN, GQ, GW, ML, MR, NE, SN, TD, TG).
- Published:
— with international search report

[Continued on next page]

(54) Title: VACUUM PACKAGING APPLIANCE WITH REMOVABLE TROUGH



(57) Abstract: An appliance (100) for storing articles within flexible and non-flexible containers under vacuum. The appliance comprises a lid (102) adapted to define a vacuum chamber when it is moved to a closed position relative to a trough in the base (104) of the appliance. The trough is slidably removable from the base of the appliance. The appliance is further adapted for connection to vacuum sealing attachments for various containers whereby the containers can be selectively evacuated. The appliance includes a thermal sealing mechanism for sealing a flexible container as well as a cutting mechanism for cutting the flexible container to a desired size. The appliance includes a control panel for selectively operating the vacuuming and sealing process.

WO 2004/076283 A3



— *before the expiration of the time limit for amending the claims and to be republished in the event of receipt of amendments*

For two-letter codes and other abbreviations, refer to the "Guidance Notes on Codes and Abbreviations" appearing at the beginning of each regular issue of the PCT Gazette.

(88) Date of publication of the international search report:
24 March 2005

INTERNATIONAL SEARCH REPORT

International application No.

PCT/US04/05894

A. CLASSIFICATION OF SUBJECT MATTER																				
IPC(7) : B65B 31/02, 31/04																				
US CL : 53/432, 434, 510, 512																				
According to International Patent Classification (IPC) or to both national classification and IPC																				
B. FIELDS SEARCHED																				
Minimum documentation searched (classification system followed by classification symbols) U.S. : 53/432, 434, 510, 512, 52																				
Documentation searched other than minimum documentation to the extent that such documents are included in the fields searched																				
Electronic data base consulted during the international search (name of data base and, where practicable, search terms used)																				
C. DOCUMENTS CONSIDERED TO BE RELEVANT																				
Category *	Citation of document, with indication, where appropriate, of the relevant passages	Relevant to claim No.																		
Y	US 6,256,968 B1 (Kristen) 10 July 2001, entire document	1-33																		
Y	US 3,962,847 A (Trudel) 15 June 1976, entire document	1-33																		
Y	US 6,328,897 B1 (Leung) 11 December 2001, entire document	26																		
Y	US 4,941,310 A (Kristen) 17 July 1990, entire document	1-33																		
A	US 5,784,862 A (Germano) 28 July 1998, entire document	1-33																		
A	US 5,048,269 A (Deni) 17 September 1991, entire document	1-33																		
A	US 6,694,710 B2 (Wang) 24 February 2004, entire document	1-33																		
<input type="checkbox"/> Further documents are listed in the continuation of Box C. <input type="checkbox"/> See patent family annex.																				
<table border="0"> <tr> <td>* Special categories of cited documents:</td> <td>"T"</td> <td>later document published after the international filing date or priority date and not in conflict with the application but cited to understand the principle or theory underlying the invention</td> </tr> <tr> <td>"A" document defining the general state of the art which is not considered to be of particular relevance</td> <td>"X"</td> <td>document of particular relevance; the claimed invention cannot be considered novel or cannot be considered to involve an inventive step when the document is taken alone</td> </tr> <tr> <td>"E" earlier application or patent published on or after the international filing date</td> <td>"Y"</td> <td>document of particular relevance; the claimed invention cannot be considered to involve an inventive step when the document is combined with one or more other such documents, such combination being obvious to a person skilled in the art</td> </tr> <tr> <td>"L" document which may throw doubts on priority claim(s) or which is cited to establish the publication date of another citation or other special reason (as specified)</td> <td>"&"</td> <td>document member of the same patent family</td> </tr> <tr> <td>"O" document referring to an oral disclosure, use, exhibition or other means</td> <td></td> <td></td> </tr> <tr> <td>"P" document published prior to the international filing date but later than the priority date claimed</td> <td></td> <td></td> </tr> </table>			* Special categories of cited documents:	"T"	later document published after the international filing date or priority date and not in conflict with the application but cited to understand the principle or theory underlying the invention	"A" document defining the general state of the art which is not considered to be of particular relevance	"X"	document of particular relevance; the claimed invention cannot be considered novel or cannot be considered to involve an inventive step when the document is taken alone	"E" earlier application or patent published on or after the international filing date	"Y"	document of particular relevance; the claimed invention cannot be considered to involve an inventive step when the document is combined with one or more other such documents, such combination being obvious to a person skilled in the art	"L" document which may throw doubts on priority claim(s) or which is cited to establish the publication date of another citation or other special reason (as specified)	"&"	document member of the same patent family	"O" document referring to an oral disclosure, use, exhibition or other means			"P" document published prior to the international filing date but later than the priority date claimed		
* Special categories of cited documents:	"T"	later document published after the international filing date or priority date and not in conflict with the application but cited to understand the principle or theory underlying the invention																		
"A" document defining the general state of the art which is not considered to be of particular relevance	"X"	document of particular relevance; the claimed invention cannot be considered novel or cannot be considered to involve an inventive step when the document is taken alone																		
"E" earlier application or patent published on or after the international filing date	"Y"	document of particular relevance; the claimed invention cannot be considered to involve an inventive step when the document is combined with one or more other such documents, such combination being obvious to a person skilled in the art																		
"L" document which may throw doubts on priority claim(s) or which is cited to establish the publication date of another citation or other special reason (as specified)	"&"	document member of the same patent family																		
"O" document referring to an oral disclosure, use, exhibition or other means																				
"P" document published prior to the international filing date but later than the priority date claimed																				
Date of the actual completion of the international search		Date of mailing of the international search report																		
01 December 2004 (01.12.2004)		21 JAN 2005																		
Name and mailing address of the ISA/US Mail Stop PCT, Attn: ISA/US Commissioner for Patents P.O. Box 1450 Alexandria, Virginia 22313-1450 Facsimile No. (703) 305-3230		Authorized officer Gene Kim Telephone No. 703 308-1148																		