

(19) World Intellectual Property Organization  
International Bureau



(43) International Publication Date  
3 August 2006 (03.08.2006)

PCT

(10) International Publication Number  
**WO 2006/081099 A1**

(51) International Patent Classification:  
**B21J 15/50** (2006.01) **B25B 27/06** (2006.01)  
**B23B 47/28** (2006.01)

(21) International Application Number:  
PCT/US2006/001607

(22) International Filing Date: 17 January 2006 (17.01.2006)

(25) Filing Language: English

(26) Publication Language: English

(30) Priority Data:  
11/042,753 24 January 2005 (24.01.2005) US

(71) Applicant (for all designated States except US): **THE BOEING COMPANY** [US/US]; 100 N. Riverside Plaza, Chicago, Illinois 60606 (US).

(72) Inventors; and

(75) Inventors/Applicants (for US only): **MALLY, Sujith**, N. [US/US]; 10305 N.E. 16th St., Bellevue, Washington 98004 (US). **MCELDOWNEY, Paul, A.** [US/US]; 1413 Sw 307th St, Federal Way, Washington 98023-3432 (US).

(74) Agents: **RAFTER, John, R.** et al.; THE BOEING COMPANY, 15460 LAGUNA CANYON ROAD, Mc 1650-7006, Irvine, California 92618 (US).

(81) Designated States (unless otherwise indicated, for every kind of national protection available): AE, AG, AL, AM, AT, AU, AZ, BA, BB, BG, BR, BW, BY, BZ, CA, CH, CN, CO, CR, CU, CZ, DE, DK, DM, DZ, EC, EE, EG, ES, FI, GB, GD, GE, GH, GM, HR, HU, ID, IL, IN, IS, JP, KE, KG, KM, KN, KP, KR, KZ, LC, LK, LR, LS, LT, LU, LV, LY, MA, MD, MG, MK, MN, MW, MX, MZ, NA, NG, NI, NO, NZ, OM, PG, PH, PL, PT, RO, RU, SC, SD, SE, SG, SK, SL, SM, SY, TJ, TM, TN, TR, TT, TZ, UA, UG, US, UZ, VC, VN, YU, ZA, ZM, ZW.

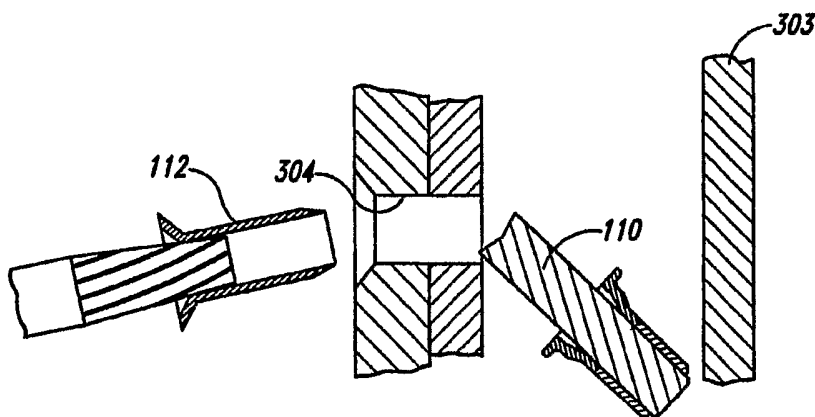
(84) Designated States (unless otherwise indicated, for every kind of regional protection available): ARIPO (BW, GH, GM, KE, LS, MW, MZ, NA, SD, SL, SZ, TZ, UG, ZM, ZW), Eurasian (AM, AZ, BY, KG, KZ, MD, RU, TJ, TM), European (AT, BE, BG, CH, CY, CZ, DE, DK, EE, ES, FI, FR, GB, GR, HU, IE, IS, IT, LT, LU, LV, MC, NL, PL, PT, RO, SE, SI, SK, TR), OAPI (BF, BJ, CF, CG, CI, CM, GA, GN, GQ, GW, ML, MR, NE, SN, TD, TG).

Published:

- with international search report
- before the expiration of the time limit for amending the claims and to be republished in the event of receipt of amendments

For two-letter codes and other abbreviations, refer to the "Guidance Notes on Codes and Abbreviations" appearing at the beginning of each regular issue of the PCT Gazette.

(54) Title: METHODS AND APPARATUSES FOR REMOVING BLIND FASTENERS



(57) Abstract: Various methods and apparatuses for removing blind fasteners, portions of blind fasteners, and/or other fasteners from structural assemblies are described herein. In one embodiment, a blind fastener can have a core bolt extending through a passage in a body. One method for removing the blind fastener from a structural assembly in accordance with one aspect of the invention can include removing a head portion from the core bolt, and driving the remaining portion of the core bolt at least partially through the body in a first direction. The method can further include extracting the body from the bore in a second direction opposite to the first direction. In one embodiment, the body can be extracted from the bore by inserting a tool into the passage and engaging the body, and then pulling the body in the second direction with the tool.

WO 2006/081099 A1

## METHODS AND APPARATUSES FOR REMOVING BLIND FASTENERS

## TECHNICAL FIELD

**[0001]** The following disclosure relates generally to blind fasteners and, more particularly, to methods and apparatuses for removing blind fasteners.

## 5 BACKGROUND

**[0002]** The term "blind fastener" is often used to describe a fastener that can be fully installed from a single side of a structural assembly. Pop rivets and one-sided installation (OSI) bolts are two known types of blind fasteners. Figures 1A and 1B are partial cross-sectional views illustrating two stages in a method of installing a prior art blind fastener 100, and Figure 1C is an end view of the blind fastener 100. Referring first to Figure 1A, the blind fastener 100 includes a core bolt 110 extending through a passage 109 in a body 112. The core bolt 110 includes an exposed stem 118 and an externally threaded portion 115. The externally threaded portion 115 engages a nut 116. The nut 116 bears against a sleeve 114. As shown in Figure 1C, the stem 118 of the core bolt 110 includes flats 111a and 111b, and the body 112 includes a head portion 119 having a plurality of recesses 113 (identified individually as recesses 113a-d).

**[0003]** Returning to Figure 1A, to install the blind fastener 100, it is first inserted through a bore 104 in a first part 101 and a second part 102. A minimum distance D1 is required between the second part 102 and a third part 103 to provide clearance for the blind fastener 100 during installation. Next, prongs on a nose adapter of an installation tool (not shown) are engaged with the recesses 113 in the head portion 119 to prevent rotation of the body 112. A wrench adapter on the installation tool then engages the flats 111 on the core bolt stem 118 and rotates the core bolt 110 about its longitudinal axis. Rotation of the core bolt 110 in this manner causes the nut 116 to move toward the body 112. As this happens, the sleeve 114 flares out over the body 112 and presses against the second part 102 as shown in Figure 1B. As the sleeve 114 is compressed, the core

bolt stem 118 becomes harder and harder to turn until ultimately the stem 118 breaks off at a preset torque level. The foregoing installation procedure and related fastener details are described in the product specification entitled "OSI-BOLT™ -- HIGH STRENGTH FASTENER FOR PRIMARY STRUCTURE" provided by Monogram Aerospace Fasteners, Inc. of 3423 South Garfield Avenue, Los Angeles, California 90022, and in U.S. Patent Nos. 5,498,110 and 5,634,751, all of which are incorporated herein in their entireties by reference.

[0004] Figures 2A-2F are partial cross-sectional views illustrating a method for removing the blind fastener 100 from the first part 101 and the second part 102 in accordance with the prior art. Referring first to Figure 2A, the method involves use of a drill tool 200 having a drill bit 204 rotatably disposed in an adapter 206. A plurality of prongs 202 (identified individually as a first prong 202a and a second prong 202b) extending outwardly from the adapter 206 engage the corresponding recesses 113 in the head portion 119 of the fastener body 112. The prongs 202 prevent the body 112 from rotating while the drill bit 204 removes a head portion 221 of the core bolt 110, as shown in Figure 2B.

[0005] Referring next to Figure 2C, after the head portion 221 of the core bolt 110 has been removed, a punch 230 is used to drive the remaining portion of the core bolt 110 out the backside of the fastener body 112. As shown in Figure 2D, an increased backside clearance D2 is required between the second part 102 and the third part 103 to ensure that the core bolt 110 will fall clear of the body 112.

[0006] Referring next to Figure 2E, a pilot tip 242 of an end mill 240 is inserted into the body 112, and a cutter portion 244 of the end mill 240 removes the head portion 119 of the body 112. As shown in Figure 2F, a piloted rivet set 232 or other suitable tool is then inserted through the bore 104 and used to drive the body 112 out the backside of the bore 104.

[0007] As Figure 1A illustrates, the minimum backside clearance D1 is all that is required to adequately install the blind fastener 100. As shown in Figure 2D, however, removal of the blind fastener 100 by the method described above requires increasing the backside clearance to D2. Increasing the backside clearance from D1 to D2 solely for the

purpose of fastener removal results in a larger structural assembly than would otherwise be required. In aircraft and other structures, the disadvantages of a larger structural assembly include an increase in structural weight and a decrease in usable space.

#### SUMMARY

5 [0008] The following summary is provided for the benefit of the reader only, and does not limit the invention as set forth by the claims. The present invention is directed generally toward methods and apparatuses for removing blind fasteners from aircraft structures and other assemblies. A method in accordance with one aspect of the invention can be used to remove a blind fastener from a bore. The blind fastener can have a core  
10 bolt extending through a passage in a body. The method can include removing a head portion from the core bolt and driving a remaining portion of the core bolt through the passage in the body in a first direction. The method can further include extracting the body from the bore in a second direction opposite to the first direction. In one embodiment, extracting the body from the bore can include inserting a tool into the passage and pulling  
15 the body in the second direction with the tool.

[0009] A method for detaching a first aircraft part from a second aircraft part in accordance with another aspect of the invention includes identifying at least one fastener attaching the first aircraft part to the second aircraft part. When the fastener is a blind fastener having a core bolt extending through a passage in a body, the method can further  
20 include removing a head portion from the core bolt and driving a remaining portion of the core bolt through the passage in the body in a first direction. The method can further include extracting the body from the first and second aircraft parts in a second direction opposite to the first direction. In one embodiment, the first and second aircraft parts can define an accessible front side and an inaccessible backside of an aircraft structure  
25 assembly. In this embodiment, removing a head portion from the core bolt can include cutting the head portion from the front side of the structural assembly.

## BRIEF DESCRIPTION OF THE DRAWINGS

[0010] Figures 1A-1B are partial cross-sectional views illustrating a method for installing a blind fastener in accordance with the prior art, and Figure 1C is an end view of the blind fastener.

5 [0011] Figures 2A-2F are partial cross-sectional views illustrating a method for removing the blind fastener of Figures 1A-1C in accordance with the prior art.

[0012] Figures 3A-3B are partial cross-sectional views illustrating an installation of the blind fastener of Figures 1A-1C in a structural assembly configured in accordance with an embodiment of the invention.

10 [0013] Figures 4A-4D are partial cross-sectional views illustrating a method for removing the blind fastener of Figures 1A-1C in accordance with an embodiment of the invention.

[0014] Figures 5A-5C are various side cross-sectional views of a blind fastener removal tool configured in accordance with another embodiment of the invention.

15 [0015] Figures 6A and 6B are enlarged cross-sectional views of the fastener engagement portion of the blind fastener removal tool of Figures 5A-5C.

## DETAILED DESCRIPTION

[0016] The following disclosure describes various methods and apparatuses for removing blind fasteners from structural assemblies. Certain details are set forth in the  
20 following description to provide a thorough understanding of various embodiments of the invention. Other details describing well-known structures and systems often associated with one-sided installation bolts and other blind fasteners are not set forth, however, to avoid unnecessarily obscuring the description of the various embodiments of the invention.

[0017] Many of the details, dimensions, angles and other features shown in the  
25 Figures are merely illustrative of particular embodiments of the invention. Accordingly, other embodiments can have other details, dimensions, angles and features without departing from the spirit or scope of the present invention. Furthermore, additional

embodiments of the invention can be practiced without several of the details described below.

5 [0018] In the Figures, identical reference numbers identify identical or at least generally similar elements. To facilitate the discussion of any particular element, the most significant digit or digits of any reference number refer to the Figure in which that element is first introduced. For example, element 303 is first introduced and discussed with reference to Figure 3.

10 [0019] Figures 3A and 3B are partial cross-sectional views illustrating an installation of the blind fastener 100 in a structural assembly 300 configured in accordance with an embodiment of the invention. Referring to these Figures together, the structural assembly 300 includes a first part 301 (e.g., a first aircraft part) positioned against a second part 302 (e.g., a second aircraft part). The blind fastener 100 can be installed in the first part 301 and the second part 301 using the method described above with reference to Figures 1A-1C.

15 [0020] In one aspect of this embodiment, the second part 302 is spaced apart from a third part 303 by the minimum backside clearance D1 discussed above with reference to Figure 1A. As the reader will observe, the minimum backside clearance D1 is considerably less than the increased backside clearance D2 used in the prior art structural assembly described above with reference to Figures 1A-1C. In fact, the minimum backside  
20 clearance D1 is only slightly greater than a length P of the portion of the blind fastener 100 protruding from the second part 302. Even though the minimum backside clearance D1 of the present invention is considerably less than the increased backside clearance D2 of the prior art, the blind fastener 100 can still be easily removed from the structural assembly 300 by using the method described below with reference to Figures 4A-4D.

25 [0021] Figures 4A-4D are partial cross-sectional views illustrating a method for removing the blind fastener 100 from the first part 301 and the second part 302 in accordance with an embodiment of the invention. Referring first to Figure 4A, the head portion 221 of the core bolt 110 is removed using the drill tool 200 as described above with reference to Figures 2A and 2B. In other embodiments, other suitable tools and/or

methods can be used to remove the head portion 221 from the core bolt 110. Such methods can include, for example, the use of an end mill, grinder, chisel, or other tool.

**[0022]** Referring next to Figure 4B, after the head portion 221 of the core bolt 110 has been removed, the punch 230 or other suitable tool is inserted into the body 112 and brought to bear against the remaining portion of the core bolt 110. The punch 230 is then used to drive the core bolt 110 outwardly toward the third part 303. The close proximity of the third part 303 to the second part 302, however, prevents the core bolt 110 from being driven completely out of the fastener body 112.

**[0023]** As shown in Figure 4C, once the core bolt 110 has been driven partially through the body 112, a fastener body removal tool 440 ("removal tool 440") is inserted into the body 112. In the illustrated embodiment, the removal tool 440 includes a screw extractor or similar device (e.g., a "Back-Out") having a tapered portion 442 with a plurality of reverse-direction threads configured to engage the interior walls of the passage 109. The tapered portion 442 is inserted into the passage 109 in a first direction 451, and then rotated in a counterclockwise direction 453 to engage the body 112. The removal tool 440 can then be pulled in a second direction 452 to extract the body 112 from the bore 304.

**[0024]** Referring next to Figure 4D, once the body 112 has been extracted from the bore 304, the core bolt 110 will be left laying in what is essentially an oversized hole. As a result, the core bolt 110 can be easily tapped out of the bore 304 at an angle sufficient to clear the third part 303.

**[0025]** As mentioned above with reference to Figure 3A, one feature of the illustrated embodiment is that the minimum distance between the second part 302 and the third part 303 can be reduced to  $D_1$ , which is only slightly greater than the length  $P$  of the portion of the blind fastener 100 protruding beyond the second part 302. One advantage of this feature is that it allows the structural assembly 300 to be made smaller and lighter than the prior art structural assembly described above with reference to Figures 1A-2F. Further, the fastener removal method described herein provides the additional advantage of allowing blind fasteners, such as the blind fastener 100, to be retrofit in those structural assemblies that heretofore did not provide sufficient backside clearance for fastener removal. As a

result, the blind fastener 100 and other fasteners of similar configuration can now be used in a number of applications that were previously considered unfeasible.

**[0026]** Figures 5A-5C are various side cross-sectional views of a fastener body removal tool 550 ("removal tool 550") configured in accordance with an embodiment of the invention. Referring first to Figures 5A and 5B, the removal tool 550 includes an engagement portion 501 operably coupled to a pulling portion 503. The engagement portion 501 is configured to engage an interior portion of the fastener body 112. The pulling portion 503 is configured to extract the fastener body 112 from the bore 304 after the engagement portion 501 has been engaged with the fastener body 112.

**[0027]** In the illustrated embodiment, the engagement portion 501 includes an expanding sleeve 564 carried by a distal end portion of a core pin 554. The core pin 554 extends through a spacer 562 and a threaded bushing 560, and is pivotally coupled to a cam 558 by means of a barrel nut 556. A user-operable handle 552 extends outwardly from the cam 558. Rotation of the handle 552 in direction R causes the cam 558 to rotate against the bushing 560, thereby drawing the core pin 554 through the bushing 560 in direction D. As described in greater detail below, this movement of the core pin 554 causes the expanding sleeve 564 to expand outwardly and engage the fastener body 112. As shown in Figure 5C, when the handle 552 has been fully rotated in direction R, a tab 571 extending outwardly from the handle 552 is received by a notch 572 in the threaded bushing 560, .

**[0028]** In the illustrated embodiment, the pulling portion 503 includes the bushing 560 which is threaded into a support 568. The support 568 is configured to contact the first part 301 and position the engagement portion 501 relative to the fastener body 112. Once the tab 571 on the handle 552 has been received by the notch 572 in the bushing 560, the handle 552 can be rotated counterclockwise to unthread the bushing 560 from the support 568. As shown in Figure 5C, as the bushing 560 moves away from the support 568 in direction D, the engagement portion 501 extracts the fastener body 112 from the bore 304.

**[0029]** Figures 6A and 6B are enlarged cross-sectional views illustrating operation of the engagement portion 501 of the removal tool 550 described above with reference to Figures 5A-C. Referring first to Figure 6A, the expanding sleeve 564 is captured between

a first tapered surface 681 of the core pin 554 and a second tapered surface 682 of a sleeve expander 666. The sleeve expander 666 is a ring-shaped member that bears against the spacer 562. As the tip of the core pin 554 moves toward the sleeve expander 666, the first tapered surface 681 cooperates with the second tapered surface 682 to force the expanding sleeve 564 outward in direction C, as shown in Figure 6B. When the expanding sleeve 564 is positioned within a fastener body (e.g., the fastener body 112 of Figures 5A-C), this expansion causes the expanding sleeve 564 to press against the fastener body and firmly grip it for subsequent removal. Although not illustrated in Figures 6A-B, the expanding sleeve 564 includes a longitudinal cut at one location that enables it to expand and contract. In addition, the expanding sleeve 564 can also include various serrations, knurling, and/or other surface features on an outer surface 684 to enhance the ability of the expanding ring to grip fastener bodies for removal.

**[0030]** From the foregoing, it will be appreciated that specific embodiments of the invention have been described herein for purposes of illustration, but that various modifications may be made without deviating from the spirit and scope of the invention. For example, aspects of the invention described in the context of particular embodiments may be combined or eliminated in other embodiments. Further, while advantages associated with certain embodiments of the invention have been described in the context of those embodiments, other embodiments may also exhibit such advantages, and no embodiment need necessarily exhibit such advantages to fall within the scope of the invention. Accordingly, the invention is not limited, except as by the appended claims.

## CLAIMS

I/We claim:

- [c1] 1. A method for removing a blind fastener from a bore, the blind fastener having a core bolt extending through a passage in a body, the method comprising:
- 5 removing a head portion from the core bolt;  
driving a remaining portion of the core bolt at least partially through the passage in the body in a first direction; and  
extracting the body from the bore in a second direction, opposite to the first direction.
- 10 [c2] 2. The method of claim 1 wherein extracting the body from the bore includes inserting a tool into the passage and pulling the body in the second direction with the tool.
- [c3] 3. The method of claim 1 wherein the head portion of the core bolt is a first head portion, and wherein extracting the body from the bore includes inserting a tool
- 15 through a second head portion of the body and pulling the body in the second direction with the tool.
- [c4] 4. The method of claim 1 wherein extracting the body from the bore includes engaging a threaded portion of a tool with an interior portion of the body and pulling the body in the second direction with the tool.
- 20 [c5] 5. The method of claim 1 wherein extracting the body from the bore includes engaging an interior portion of the body with a screw extractor and pulling the body in the second direction with the screw extractor.

[c6] 6. The method of claim 1 wherein driving a remaining portion of the core bolt includes driving the remaining portion partially through the passage in the body, whereby the remaining portion remains at least temporarily supported by the body while the body is being extracted from the bore in the second direction.

5 [c7] 7. The method of claim 1 wherein driving a remaining portion of the core bolt includes driving the remaining portion partially through the passage in the body, and wherein extracting the body from the bore includes inserting a tool into the passage while the remaining portion of the core bolt is at least temporarily supported by the body, and pulling the body in the second direction with the tool.

10 [c8] 8. The method of claim 1 wherein the head portion of the core bolt is a first head portion, and wherein removing the first head portion from the core bolt includes engaging a second head portion of the body to prevent the body from rotating about a longitudinal axis.

[c9] 9. The method of claim 8 wherein engaging a second head portion of the  
15 body includes engaging a countersunk head portion.

[c10] 10. The method of claim 8 wherein engaging a second head portion of the body includes engaging a countersunk head portion by inserting at least a first prong into a first recess in the countersunk head portion.

[c11] 11. The method of claim 8 wherein engaging a second head portion of the  
20 body includes engaging a countersunk head portion by inserting at least a first prong on a cutting tool adapter into a first recess in the countersunk head portion, and wherein removing the first head portion from the core bolt further includes cutting the first head portion with a rotating cutter positioned within the cutting tool adapter.

[c12] 12. A method of detaching a first aircraft part from a second aircraft part, the method comprising:

identifying at least one fastener attaching the first aircraft part to the second aircraft part;

5 when the fastener is a blind fastener having a core bolt extending through a passage in a body:

removing a head portion from the core bolt;

driving a remaining portion of the core bolt through the passage in the body in a first direction; and

10 extracting the body from the first and second aircraft parts in a second direction, opposite to the first direction.

[c13] 13. The method of claim 12 wherein the first and second aircraft parts define an accessible front side and an inaccessible backside of an aircraft structural assembly, and wherein removing a head portion from the core bolt includes cutting the head portion from the front side of the structural assembly.

[c14] 14. The method of claim 12 wherein the first and second aircraft parts define an accessible front side and an inaccessible backside of an aircraft structural assembly, wherein removing a head portion from the core bolt includes cutting the head portion from the front side of the structural assembly, and wherein extracting the body from the first and second aircraft parts includes separating the body from the remaining portion of the core bolt and causing the remaining portion to fall free of the first and second aircraft parts on the backside of the aircraft structural assembly.

[c15] 15. The method of claim 12 wherein driving a remaining portion of the core bolt includes driving the remaining portion partially through the passage in the body, whereby the remaining portion remains at least temporarily supported by the body while the body is being extracted from the first and second aircraft parts.

[c16] 16. The method of claim 12 wherein driving a remaining portion of the core bolt includes driving the remaining portion partially through the passage in the body, and wherein extracting the body from the first and second aircraft parts includes inserting a tool into the passage while the remaining portion of the core bolt is at least temporarily supported by the body, and pulling the body in the second direction with the tool.

[c17] 17. A system for removing a blind fastener from a bore, the blind fastener having a core bolt extending through a passage in a body, the method comprising:  
means for removing a head portion from the core bolt;  
means for driving a remaining portion of the core bolt through the passage in the body in a first direction; and  
means for extracting the body from the bore in a second direction, opposite to the first direction.

[c18] 18. The system of claim 17 wherein the means for extracting the body from the bore include means for engaging the body and pulling the body in the second direction.

[c19] 19. The system of claim 17 wherein the head portion of the core bolt is a first head portion, and wherein the means for extracting the body from the bore include means for engaging the body and pulling the body in the second direction while leaving a second head portion of the body intact.

[c20] 20. The system of claim 17 wherein the means for driving a remaining portion of the core bolt include means for driving the remaining portion partially through the passage in the body without separating the remaining portion from the body.

[c21] 21. A tool for removing a fastener body from a bore in a part, the tool comprising:  
a support portion configured to contact the part and position the tool relative to the bore;

an engagement portion spaced apart from the support portion, wherein the engagement portion is configured to releasably engage an interior portion of the fastener body; and

5

a pulling portion operably coupled to the engagement portion and movably carried by the support portion, wherein movement of the pulling portion relative to the support portion causes the engagement portion to extract the fastener body from the bore.

[c22] 22. The tool of claim 21 wherein the pulling portion includes a bushing threadably engaged with the support portion, and wherein unthreading the bushing from the support portion causes the engagement portion to move toward the support portion and extract the fastener body from the bore.

10

[c23] 23. The tool of claim 21 wherein the pulling portion includes a bushing threadably engaged with the support portion, wherein the engagement portion includes a core pin that extends through the bushing, and wherein unthreading the bushing from the support portion causes the core pin to move toward the support portion and extract the fastener body from the bore.

15

[c24] 24. The tool of claim 21 wherein the engagement portion includes a cam operably coupled to an expanding sleeve, and wherein rotation of the cam relative to the support portion causes the expanding sleeve to expand within the interior portion of the fastener body.

20

[c25] 25. The tool of claim 21 wherein the engagement portion includes a cam operably coupled to a core pin that carries an expanding sleeve, and wherein rotation of the cam relative to the support portion causes the core pin to expand the expanding sleeve within the interior portion of the fastener body.

25

[c26] 26. The tool of claim 21 wherein the engagement portion includes a cam and the pulling portion includes a bushing, wherein the bushing is threadably engaged with

the support portion, wherein the cam is operably coupled to a core pin that extends through the bushing and carries an expanding sleeve, wherein rotation of the cam relative to the bushing causes the core pin to expand the expanding sleeve within the interior portion of the fastener body, and further wherein unthreading the bushing from the support  
5 portion causes the expanding sleeve to move toward the support portion and extract the fastener body from the bore.

[c27] 27. The tool of claim 21 wherein the engagement portion includes a cam operably coupled to an expanding sleeve, wherein the tool further comprises a handle portion operably coupled to the cam, and wherein rotation of the handle portion relative to  
10 the support portion causes the expanding sleeve to expand within the interior portion of the fastener body.

[c28] 28. The tool of claim 21 wherein the engagement portion includes a cam and the pulling portion includes a bushing, wherein the cam is operably coupled to an expanding sleeve and the bushing is threadably engaged with the support portion, wherein  
15 the tool further comprises a handle portion operably coupled to the cam, wherein rotation of the handle portion in a first direction causes the expanding sleeve to expand within the interior portion of the fastener body, and wherein rotation of the handle in a second direction causes the bushing to unthread from the support portion, thereby causing the expanding sleeve to move toward the support portion and extract the fastener body from  
20 the bore.

[c29] 29. A tool for removing a faster body from a bore, the tool comprising:  
a support configured to position the tool relative to the bore;  
a bushing movably carried by the support, wherein the bushing is selectively  
movable inwardly and outwardly relative to the support;  
25 a core pin extending through the bushing; and  
an expandable sleeve disposed around a distal end portion of the core pin,  
wherein the expandable sleeve is configured to be received by the  
fastener body, wherein a first outward motion of the core pin relative to

the bushing causes the sleeve to expand against the fastener body, and wherein a second outward motion of the bushing relative to the support causes the sleeve to extract the fastener body from the bore.

[c30] 30. The tool of claim 29, further comprising a cam pivotally attached toward  
5 a second end portion of the core pin, wherein rotation of the cam relative to the bushing causes the first outward motion of the core pin relative to the bushing.

[c31] 31. The tool of claim 29, further comprising:  
a cam pivotally attached toward a second end portion of the core pin; and  
10 a handle operably attached to the cam, wherein movement of the handle causes the cam to rotate relative to the bushing, thereby causing the first outward motion of the core pin relative to the bushing.

[c32] 32. The tool of claim 29, further comprising:  
a cam pivotally attached toward a second end portion of the core pin; and  
15 a handle operably attached to the cam, wherein movement of the handle in a first direction causes the cam to rotate relative to the bushing, thereby causing the first outward motion of the core pin relative to the bushing, and wherein movement of the handle in a second direction causes the bushing to rotate relative to the support, thereby causing the second outward motion of the bushing relative to the support.

20 [c33] 33. The tool of claim 29 wherein the bushing is threadably engaged with the support, and wherein rotation of the bushing relative to the support causes the second outward motion of the bushing relative to the support.

[c34] 34. The tool of claim 29 wherein the bushing is threadably engaged with the  
25 support and includes a notch, and wherein the tool further comprises:  
a cam pivotally attached toward a second end portion of the core pin; and

5 a handle operably attached to the cam and having a tab, wherein movement of the handle in a first direction causes the cam to rotate relative to the bushing, thereby causing the first outward motion of the core pin relative to the bushing, wherein movement of the handle in the first direction further causes the tab on the handle to engage the notch in the bushing, whereby movement of the handle in a second direction causes the bushing to rotate relative to the support, thereby causing the second outward motion of the bushing relative to the support.

10 [c35] 35. A tool for removing a fastener body from a bore, the tool comprising: support means for positioning the tool relative to the bore; expanding means for engaging an interior portion of the fastener body; and pulling means for moving the expanding means toward the support means and extracting the fastener body from the bore.

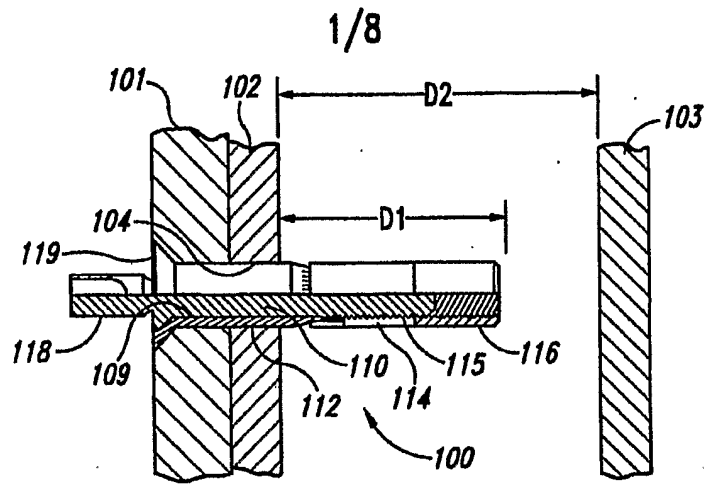
15 [c36] 36. The tool of claim 35 wherein the pulling means include a bushing threadably engaged with the support means.

[c37] 37. The tool of claim 35 wherein the expanding means include a core pin having a first tapered portion that cooperates with a second tapered portion of an expanding sleeve.

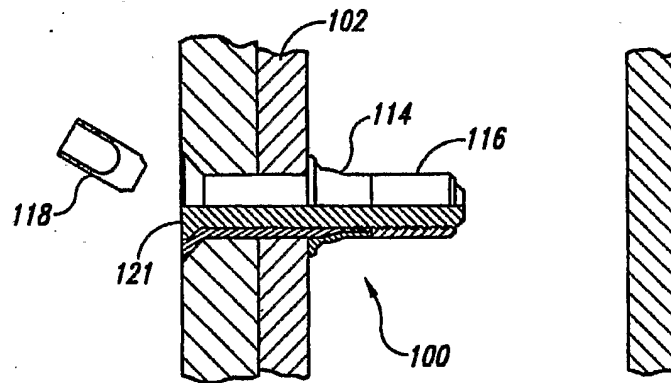
20 [c38] 38. The tool of claim 35 wherein the expanding means include an expanding sleeve operably coupled to a rotatable cam.

[c39] 39. The tool of claim 35, further comprising handle means operably coupled to the expanding means, wherein movement of the handle means relative to the support means causes the expanding means to expand and engage the interior portion of the fastener body.

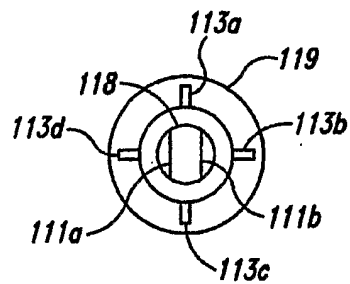
[c40] 40. The tool of claim 35 wherein the pulling means include a bushing threadably engaged with the support means, and wherein the tool further comprises handle means operably coupled to the expanding means, wherein movement of the handle means in a first direction relative to the support means causes the expanding means to expand and engage the interior portion of the fastener body, and wherein movement of the handle means in a second direction relative to the support means causes the bushing to unthread from the support means, thereby causing the expanding means to move toward the support means and extract the fastener body from the bore.



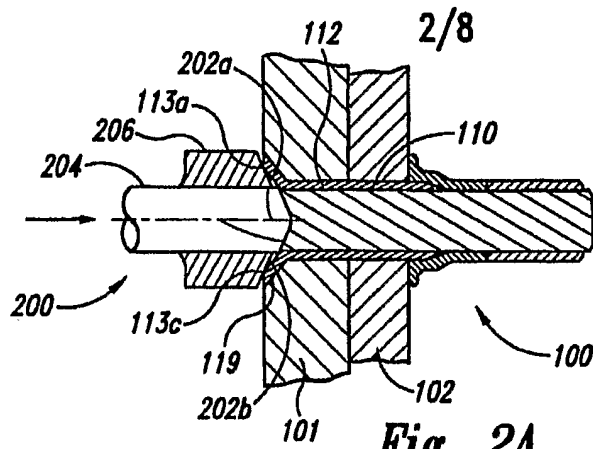
**Fig. 1A**  
(Prior Art)



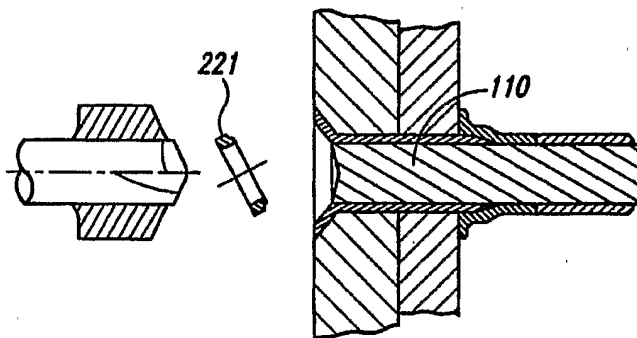
**Fig. 1B**  
(Prior Art)



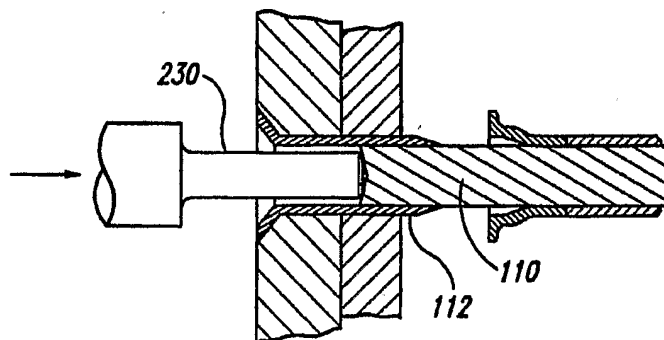
**Fig. 1C**  
(Prior Art)



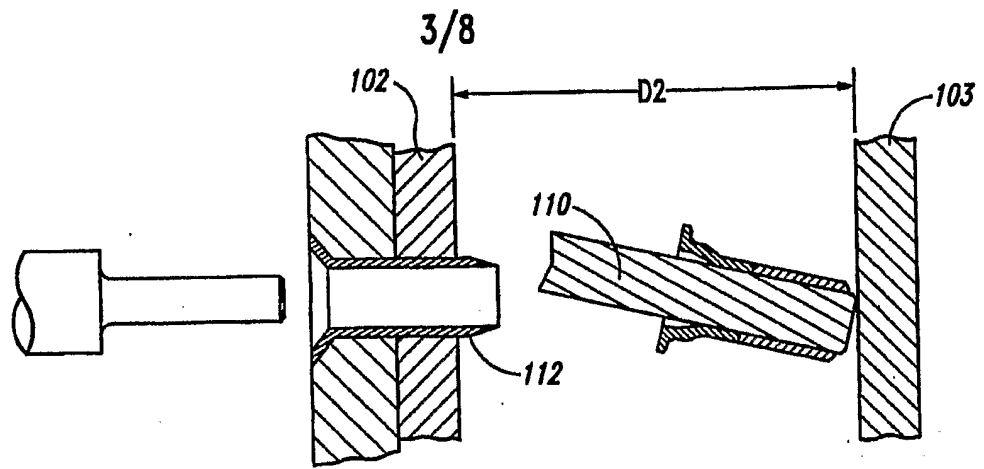
**Fig. 2A**  
**(Prior Art)**



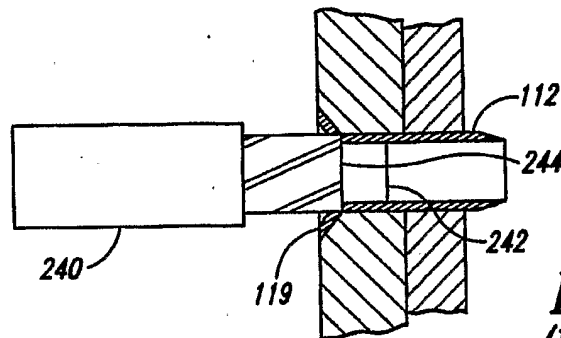
**Fig. 2B**  
**(Prior Art)**



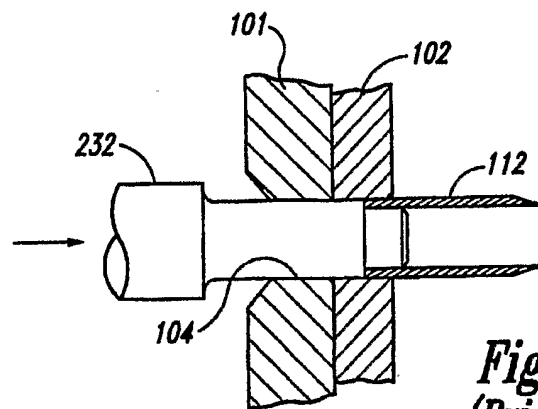
**Fig. 2C**  
**(Prior Art)**



*Fig. 2D*  
*(Prior Art)*



*Fig. 2E*  
*(Prior Art)*



*Fig. 2F*  
*(Prior Art)*

4/8

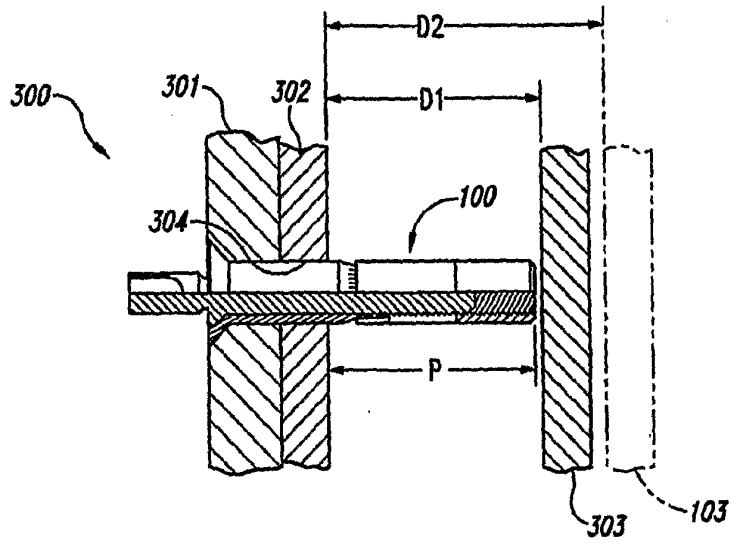


Fig. 3A

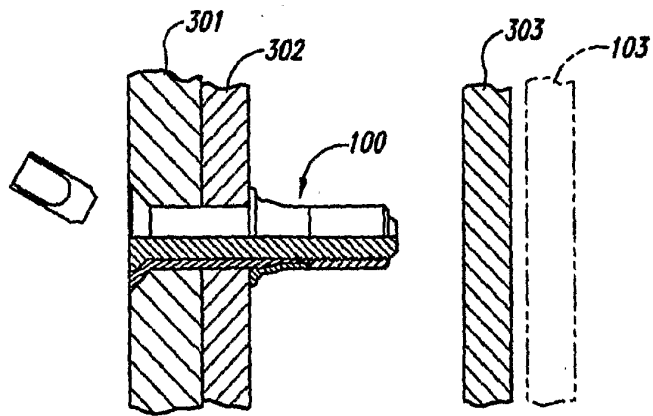
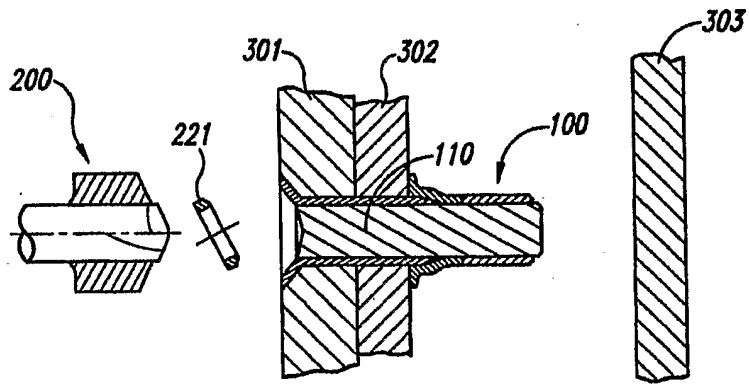
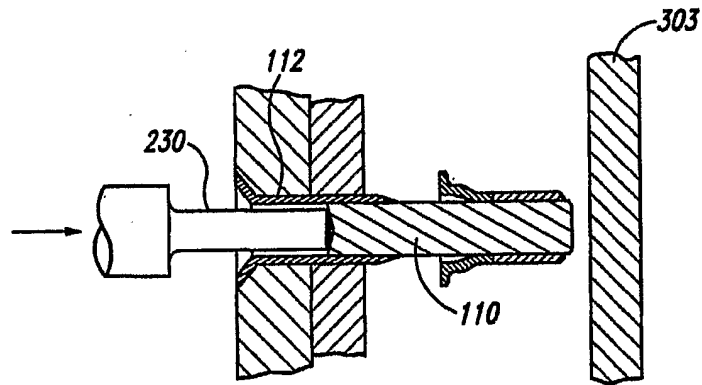


Fig. 3B

5/8



*Fig. 4A*



*Fig. 4B*

6/8

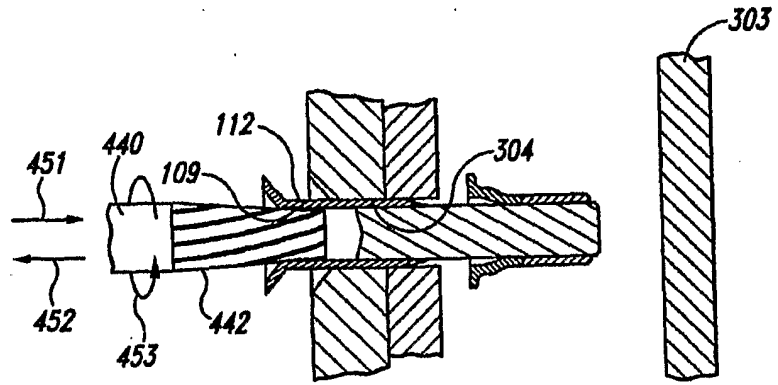


Fig. 4C

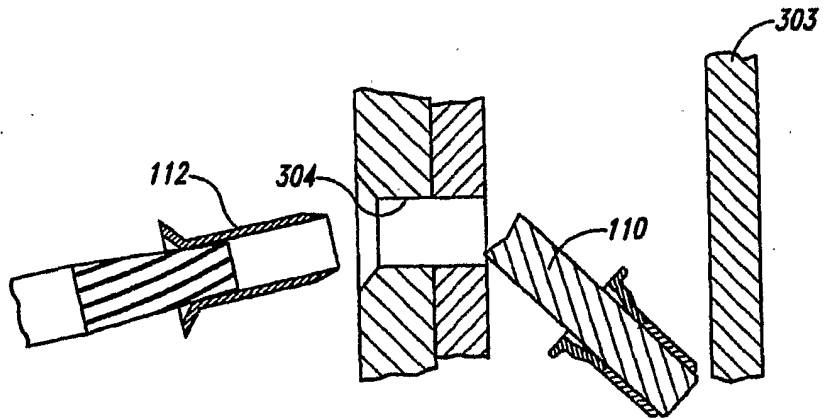


Fig. 4D

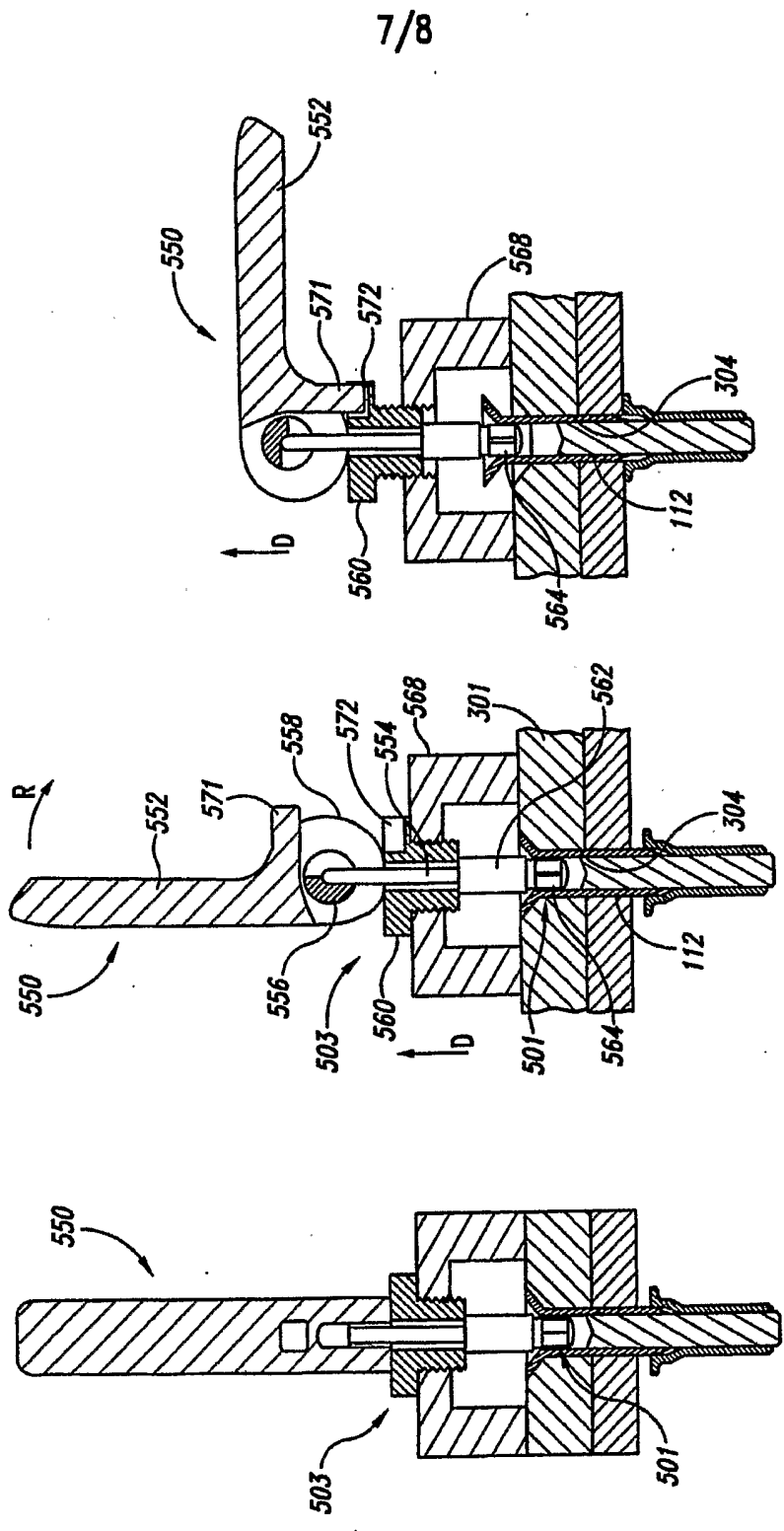
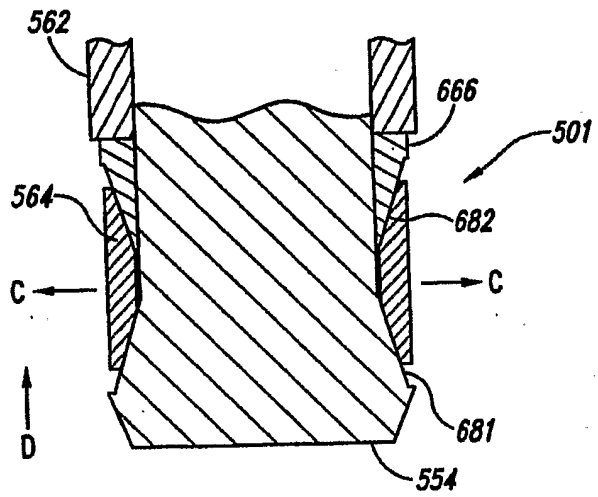


Fig. 5C

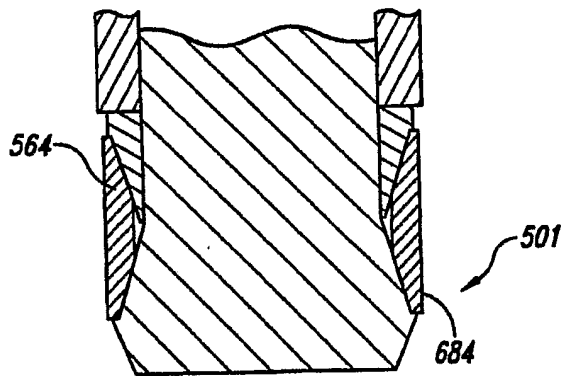
Fig. 5B

Fig. 5A

8/8



*Fig. 6A*



*Fig. 6B*

# INTERNATIONAL SEARCH REPORT

International application No  
PCT/US2006/001607

**A. CLASSIFICATION OF SUBJECT MATTER**

INV. B21J15/50  
ADD. B23B47/28      B25B27/06

According to International Patent Classification (IPC) or to both national classification and IPC

**B. FIELDS SEARCHED**

Minimum documentation searched (classification system followed by classification symbols)  
B21J B27B B26B B25B

Documentation searched other than minimum documentation to the extent that such documents are included in the fields searched

Electronic data base consulted during the international search (name of data base and, where practical, search terms used)

EPO-Internal, WPI Data, PAJ

**C. DOCUMENTS CONSIDERED TO BE RELEVANT**

Category*	Citation of document, with indication, where appropriate, of the relevant passages	Relevant to claim No.
X	US 1 873 250 A (ADOLPH WALTER J) 23 August 1932 (1932-08-23)  ----- page 1, lines 86-97; figures 1-3	1-5, 8-14, 17-23, 29, 33, 35-37, 39
X	US 2 814 089 A (BISHOP HOMER L) 26 November 1957 (1957-11-26) column 2, line 47 - column 3, line 4; figures 1-3	21, 24, 25, 27
X	US 3 071 848 A (LAWRY FRANK R. E ET AL) 8 January 1963 (1963-01-08) column 3, lines 10-16 column 3, lines 38-75; figures 1-4	21, 24, 29-31, 35

Further documents are listed in the continuation of Box C.

See patent family annex.

\* Special categories of cited documents :

- \*A\* document defining the general state of the art which is not considered to be of particular relevance
- \*E\* earlier document but published on or after the international filing date
- \*L\* document which may throw doubts on priority claim(s) or which is cited to establish the publication date of another citation or other special reason (as specified)
- \*O\* document referring to an oral disclosure, use, exhibition or other means
- \*P\* document published prior to the international filing date but later than the priority date claimed

- \*T\* later document published after the international filing date or priority date and not in conflict with the application but cited to understand the principle or theory underlying the invention
- \*X\* document of particular relevance; the claimed invention cannot be considered novel or cannot be considered to involve an inventive step when the document is taken alone
- \*Y\* document of particular relevance; the claimed invention cannot be considered to involve an inventive step when the document is combined with one or more other such documents, such combination being obvious to a person skilled in the art.
- \*&\* document member of the same patent family

Date of the actual completion of the international search

10 May 2006

Date of mailing of the international search report

22/05/2006

Name and mailing address of the ISA/

European Patent Office, P.B. 5818 Patentlaan 2  
NL - 2280 HV Rijswijk  
Tel. (+31-70) 340-2040, Tx. 31 651 epo nl,  
Fax: (+31-70) 340-3016

Authorized officer

Augé, M

# INTERNATIONAL SEARCH REPORT

Information on patent family members

International application No

PCT/US2006/001607

Patent document cited in search report	Publication date	Patent family member(s)	Publication date
US 1873250	A	23-08-1932	NONE
US 2814089	A	26-11-1957	NONE
US 3071848	A	08-01-1963	NONE