



US00D341752S

United States Patent [19]

[11] Patent Number: **Des. 341,752**

Hotchkiss et al.

[45] Date of Patent: **** Nov. 30, 1993**

[54] **COMBINED PLATE AND CUP CARRIER**

[75] Inventors: **Kenneth W. Hotchkiss**, Golden; **John A. Popken**, Longmont; **Art B. Woodward**, Lakewood, all of Colo.

[73] Assignee: **Proto-Tel, Inc.**, Golden, Colo.

[**] Term: **14 Years**

[21] Appl. No.: **6,377**

[22] Filed: **Mar. 26, 1993**

[52] U.S. Cl. **D7/616**

[58] Field of Search **D7/616, 619, 620, 637.8, D7/550, 553; 206/561-565; 220/23.83, 23.86, 574-575; 248/311.2; 294/146, 159, 172**

[56] **References Cited**

U.S. PATENT DOCUMENTS

D. 332,552 1/1993 Lynch **D7/619**

1,662,146	3/1928	Elliott	D7/638 X
4,607,758	8/1986	Stevens	D7/553 X
5,085,391	2/1992	Berger et al.	D7/616 X
5,110,170	5/1992	Boatwright	220/23.83 X

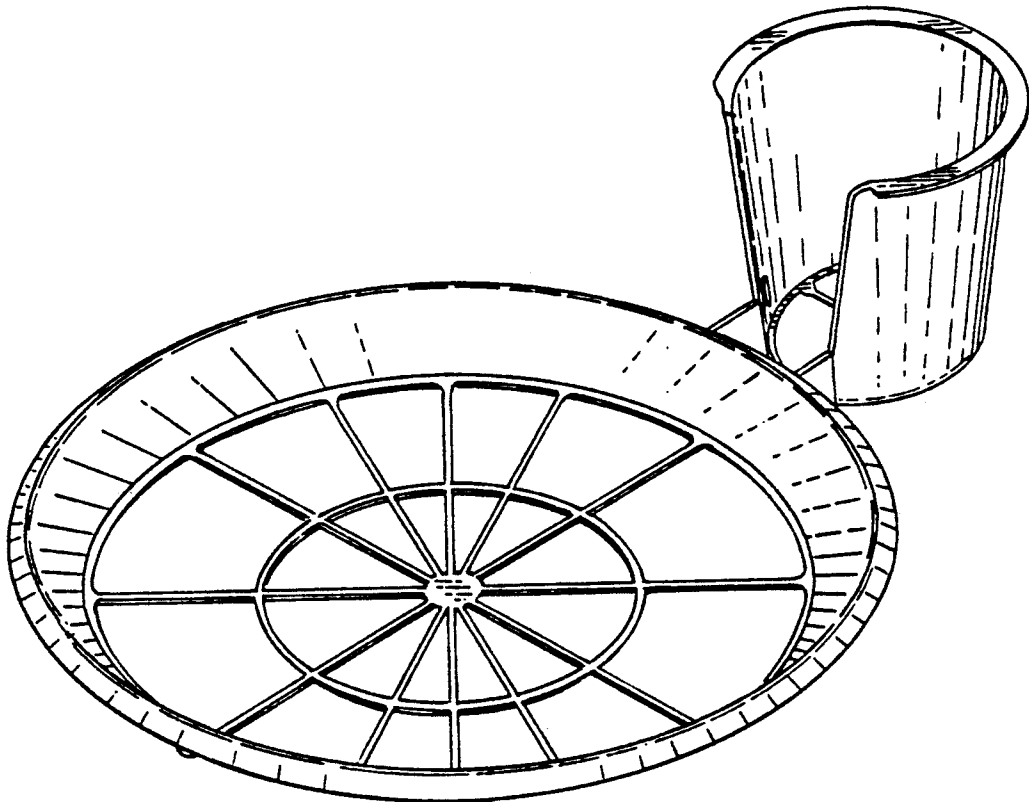
Primary Examiner—Terry A. Pfeffer
Attorney, Agent, or Firm—Kyle W. Rost

[57] **CLAIM**

The ornamental design for a combined plate and cup carrier, as shown and described.

DESCRIPTION

FIG. 1 is an isometric view of the combined plate and cup carrier, showing my new design; FIG. 2 is a top plan view thereof; FIG. 3 is a front elevational view thereof, the rear elevational view being a mirror image of FIG. 3; FIG. 4 is a left side elevational view thereof; FIG. 5 is a right side elevational view thereof; and, FIG. 6 is a bottom view thereof.



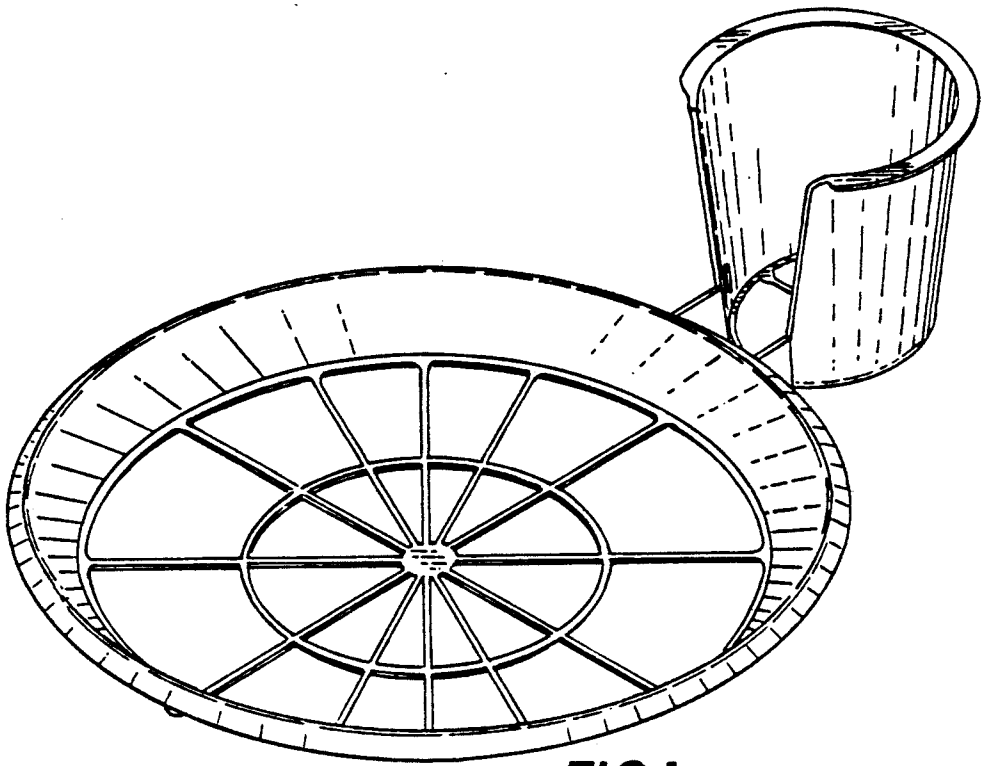


FIG. 1

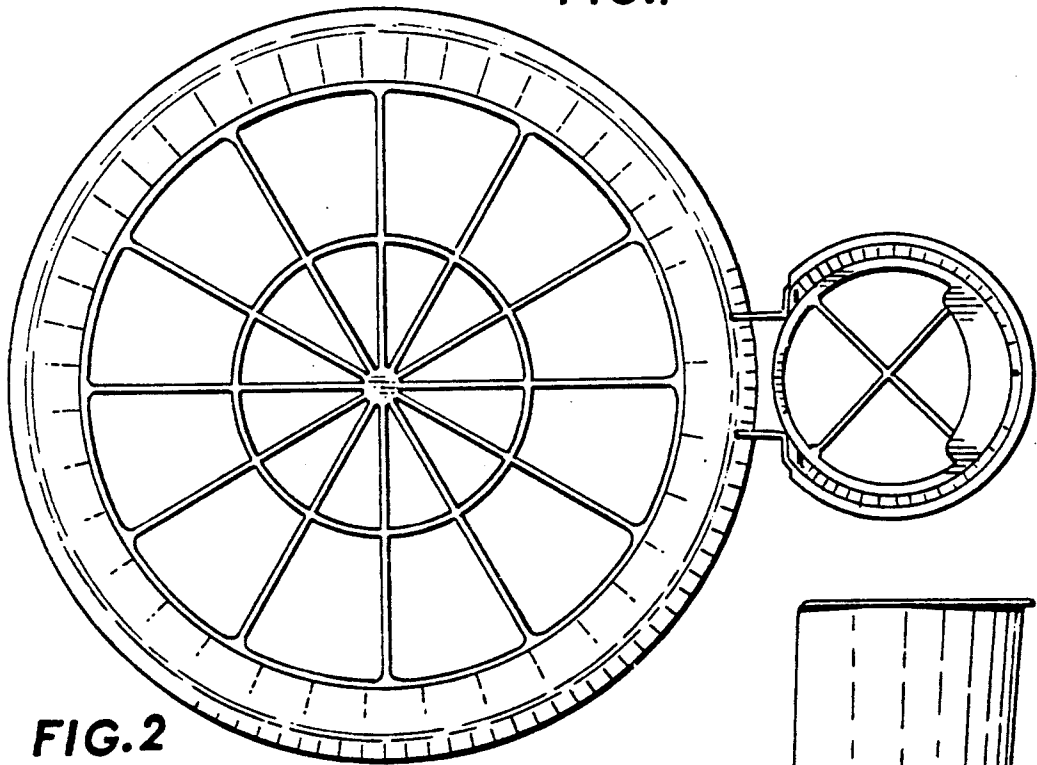


FIG. 2

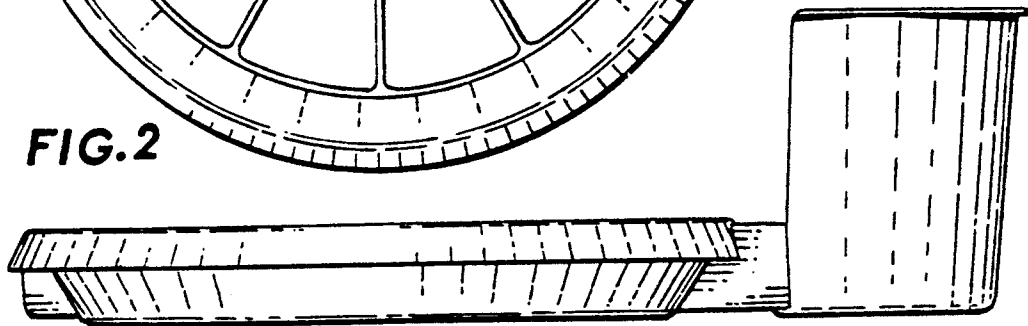


FIG. 3

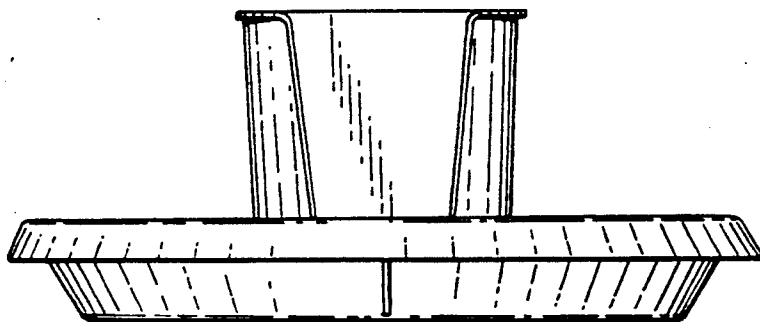


FIG. 4

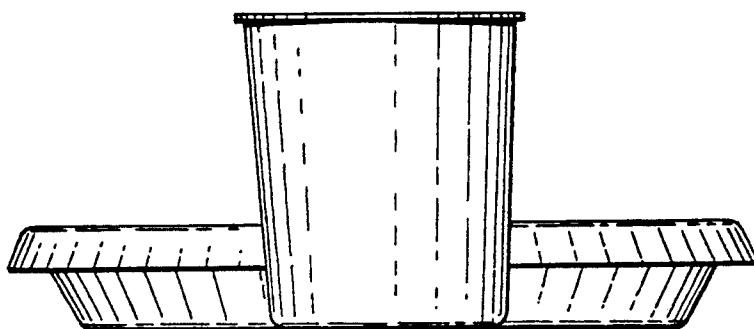


FIG. 5

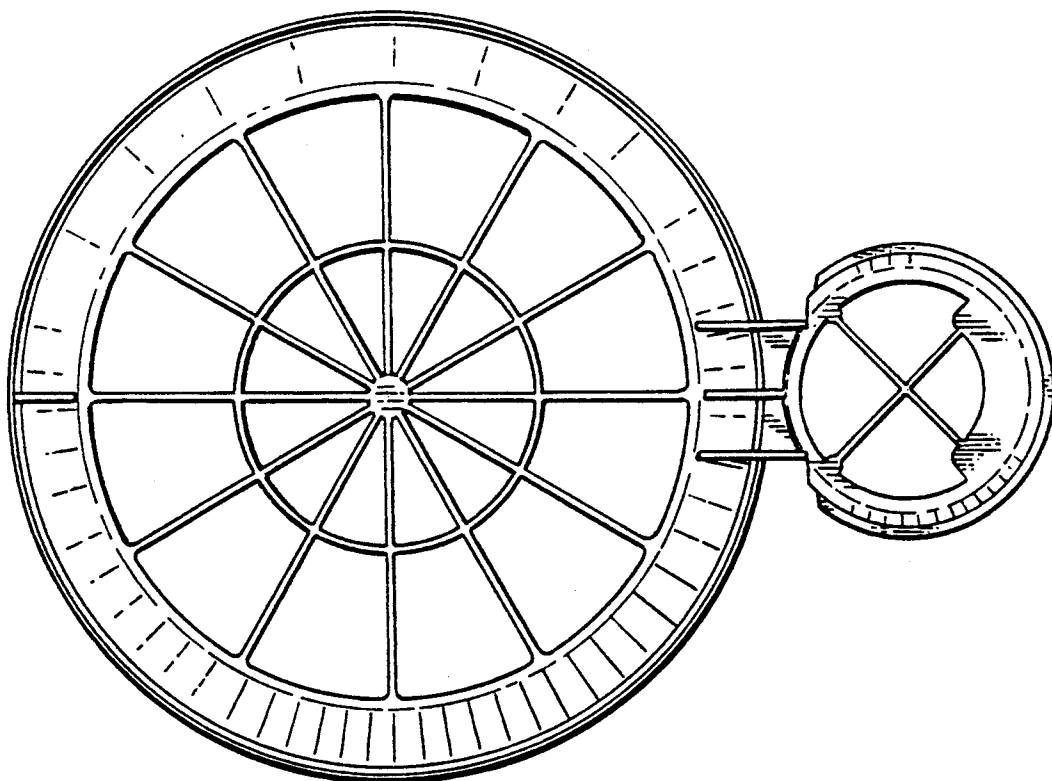


FIG. 6