



US00D991985S

(12) **United States Design Patent**  
**Juric**

(10) **Patent No.:** **US D991,985 S**

(45) **Date of Patent:** **\*\* Jul. 11, 2023**

(54) **AGRICULTURAL MACHINE**  
(71) Applicant: **GEA Farm Technologies GmbH**,  
Bönen (DE)  
(72) Inventor: **Igor Juric**, Sisak (HR)  
(73) Assignee: **GEA Farm Technologies GmbH**,  
Boenen (DE)  
(\*\*) Term: **15 Years**

D566,135 S \* 4/2008 Ito ..... D15/11  
D668,693 S \* 10/2012 Ringer ..... D15/30  
D717,345 S \* 11/2014 Budde ..... D15/26  
D740,088 S \* 10/2015 Ishikawa ..... D8/8  
D760,810 S \* 7/2016 Dal Moro ..... D15/27  
D760,815 S \* 7/2016 Okuyama ..... D15/31  
D794,086 S \* 8/2017 Thompson ..... D15/26

(Continued)

*Primary Examiner* — Patricia A Palasik  
(74) *Attorney, Agent, or Firm* — Collard & Roe, P.C.

(21) Appl. No.: **35/513,901**  
(22) Filed: **Dec. 10, 2021**

(57) **CLAIM**  
The ornamental design for an agricultural machine, as shown and described.

(80) **Hague Agreement Data**  
Int. Filing Date: **Dec. 10, 2021**  
Int. Reg. No.: **DM/219526**  
Int. Reg. Date: **Dec. 10, 2021**  
Int. Reg. Pub. Date: **Mar. 25, 2022**

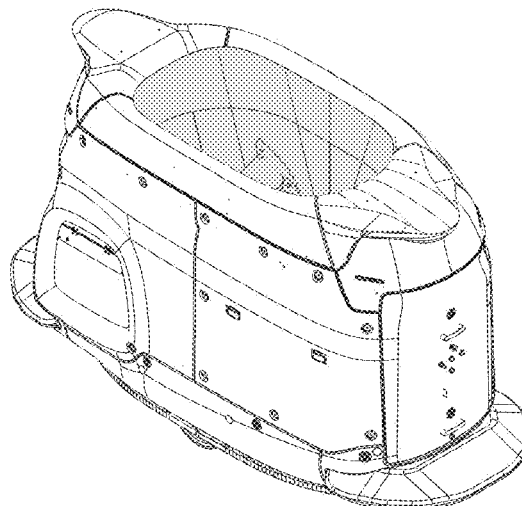
**DESCRIPTION**

The patent or application file contains at least one drawing executed in color. Copies of this patent or patent application publication with color drawing(s) will be provided by the Office upon request and payment of the necessary fee.  
Fig. 1.1 is a perspective view of an agricultural machine showing our new design;  
Fig. 1.2 is a rear elevation view thereof;  
Fig. 1.3 is a front elevation view thereof;  
Fig. 1.4 is a left-side view thereof;  
Fig. 1.5 is a right-side view thereof  
Fig. 1.6 is a top plan view thereof;  
Fig. 1.7 is a bottom plan view thereof;  
Fig. 2.1 is a perspective view of an agricultural machine showing another embodiment of our new design;  
Fig. 2.2 is a rear elevation view thereof;  
Fig. 2.3 is a front elevation view thereof;  
Fig. 2.4 is a left-side view thereof;  
Fig. 2.5 is a right-side view thereof  
Fig. 2.6 is a top plan view thereof; and  
Fig. 2.7 is a bottom plan view thereof.  
The portions of FIGS. 1.1., 1.6, 1.7, 2.1, 2.6 and 2.7 covered by a green overlay show portions of the agricultural machine that form no part of the claimed design.

(30) **Foreign Application Priority Data**  
Jun. 11, 2021 (EM) ..... 008574321  
(51) **LOC (14) Cl.** ..... **15-03**  
(52) **U.S. Cl.**  
USPC ..... **D15/26**  
(58) **Field of Classification Search**  
USPC ..... D15/10, 12, 22, 26, 27, 28, 199  
CPC ..... A01B 5/04; A01B 6/048; A01B 49/06;  
A01B 49/00; A01B 49/027; A01B  
61/044; A01B 73/065; A01B 73/005;  
A01B 73/00; A01B 73/02; A01B 73/04;  
A01B 73/06; A01C 7/00; A01C 7/18;  
A01C 7/208  
See application file for complete search history.

(56) **References Cited**  
U.S. PATENT DOCUMENTS  
D312,827 S \* 12/1990 Boddin ..... D15/30  
D317,011 S \* 5/1991 Boddin ..... D15/30

**1 Claim, 14 Drawing Sheets**  
**(10 of 14 Drawing Sheet(s) Filed in Color)**



(56)

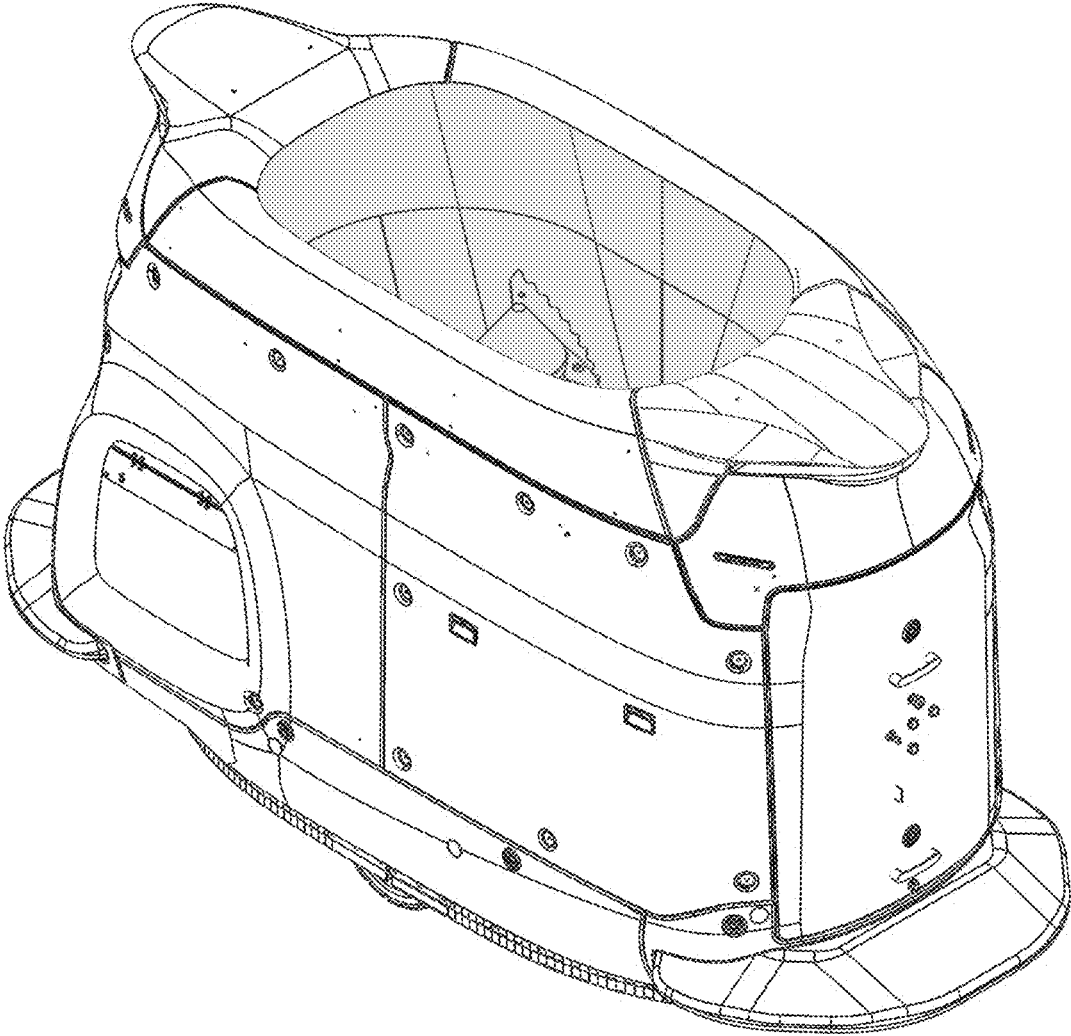
**References Cited**

U.S. PATENT DOCUMENTS

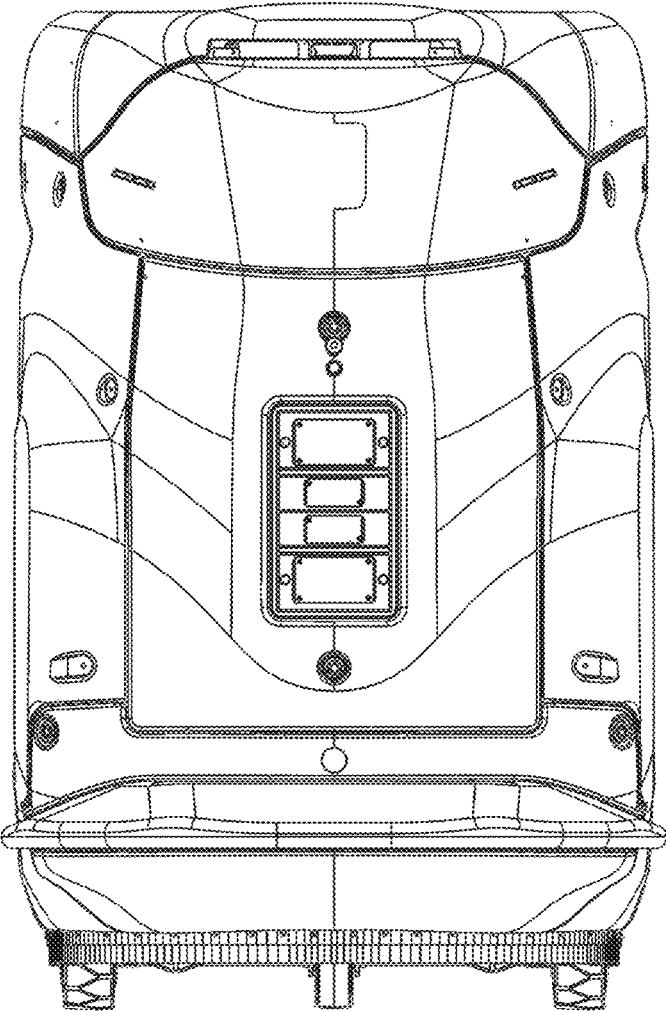
D800,179 S \* 10/2017 Nielsen ..... D15/17  
D821,265 S \* 6/2018 Mäkelä ..... D3/271.12  
D846,368 S \* 4/2019 Jacobsthal ..... D8/354  
D847,869 S \* 5/2019 Sachtleben ..... D15/28  
D860,267 S \* 9/2019 Wilkie ..... D15/28  
D871,311 S \* 12/2019 TenBrink ..... D12/415  
D892,175 S \* 8/2020 Leeb ..... D15/26  
D916,142 S \* 4/2021 Donadon ..... A01C 7/18  
D15/12  
D923,061 S \* 6/2021 Leeb ..... D15/26  
D969,192 S \* 11/2022 Lee ..... D15/199

\* cited by examiner

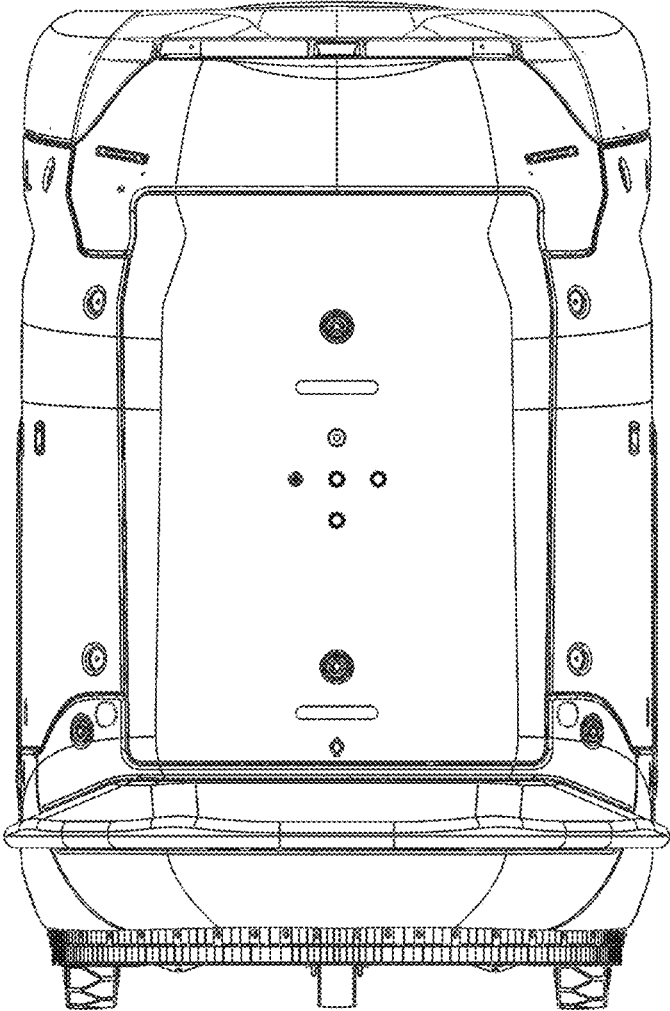
1.1



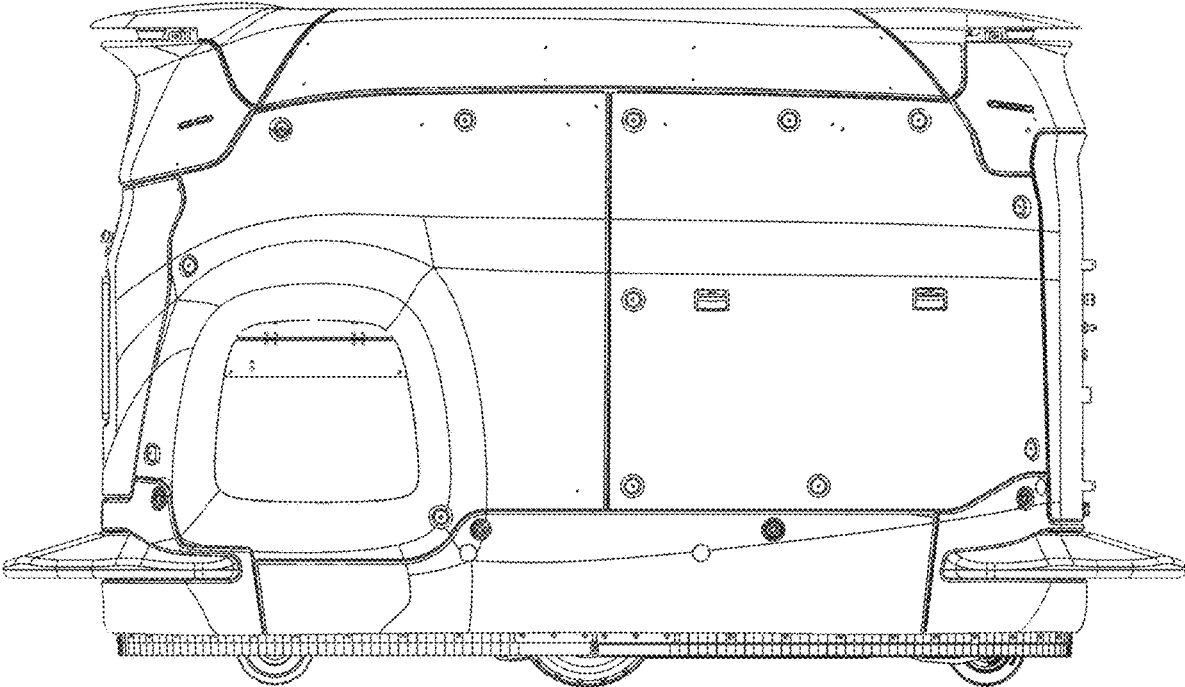
1.2



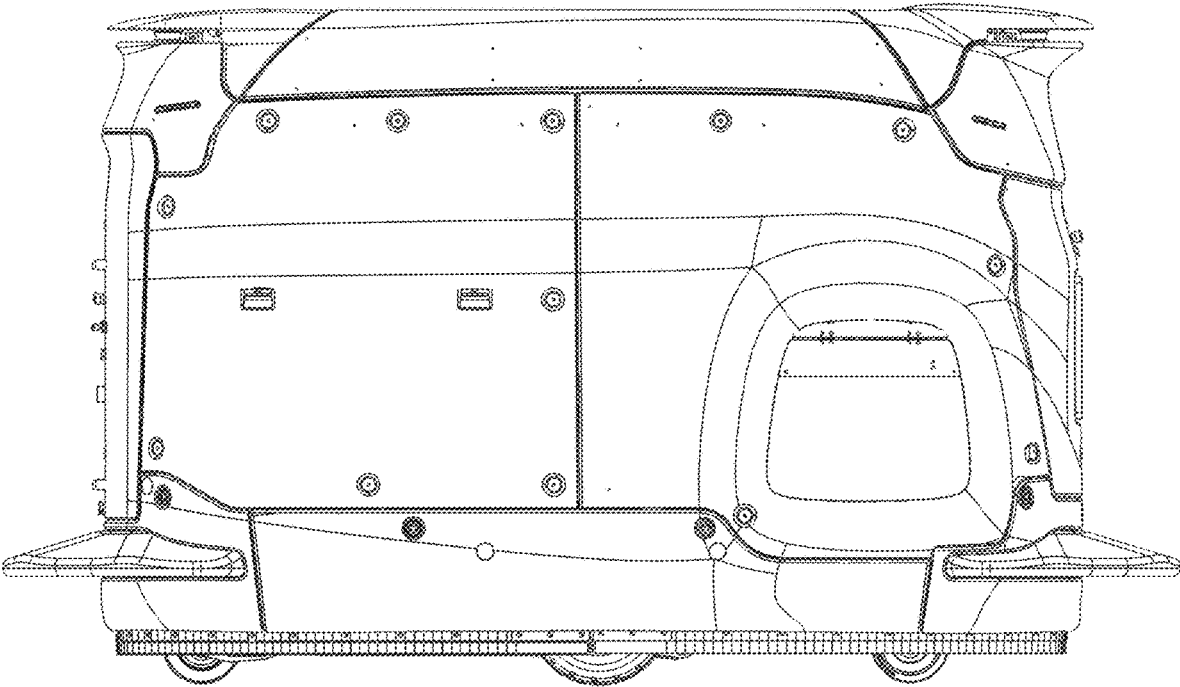
1.3

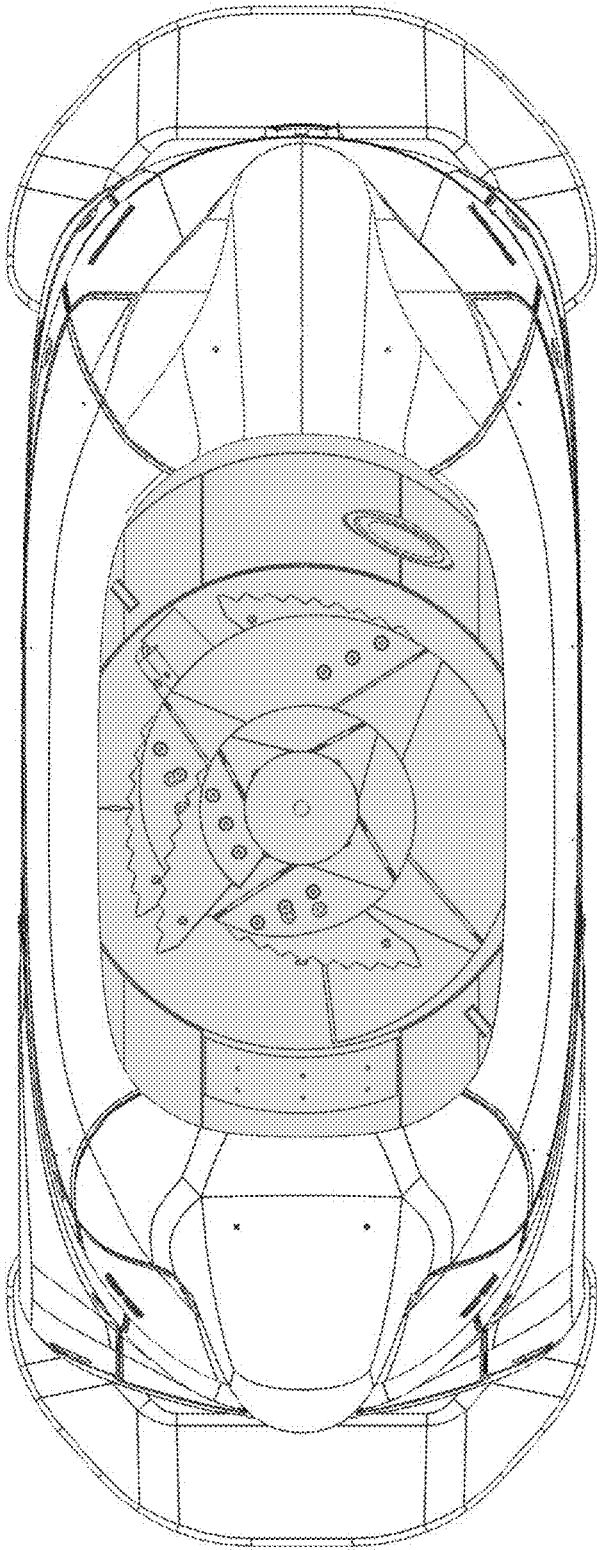


1.4

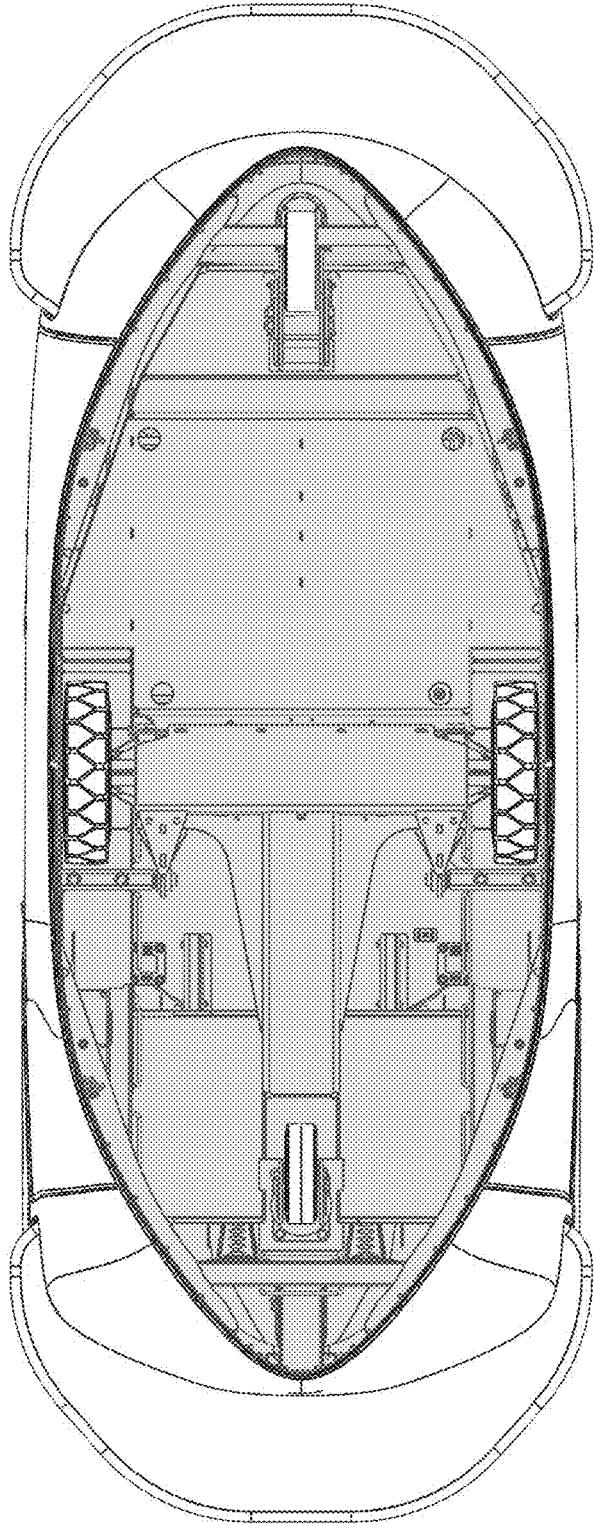


1.5



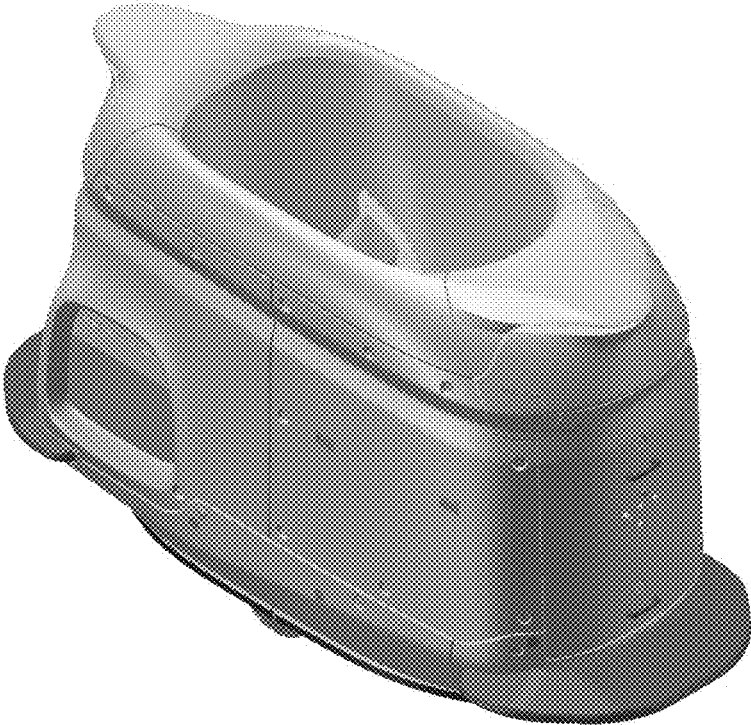


1.6

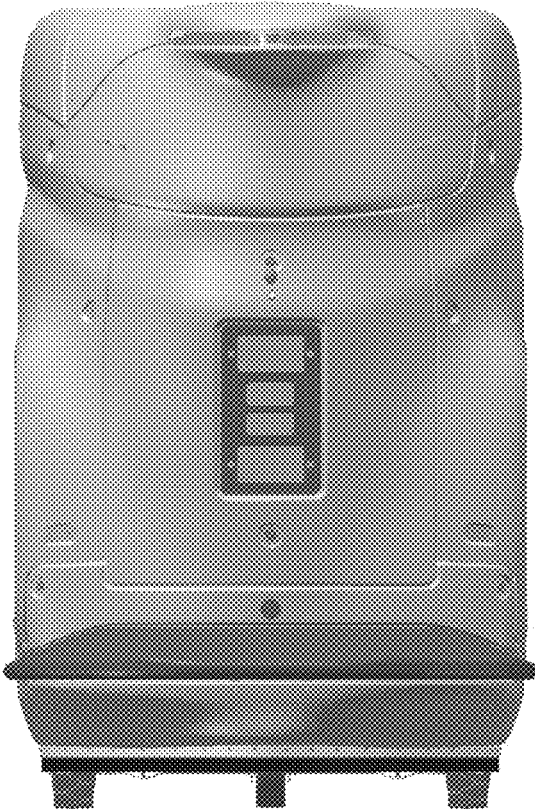


1.7

2.1



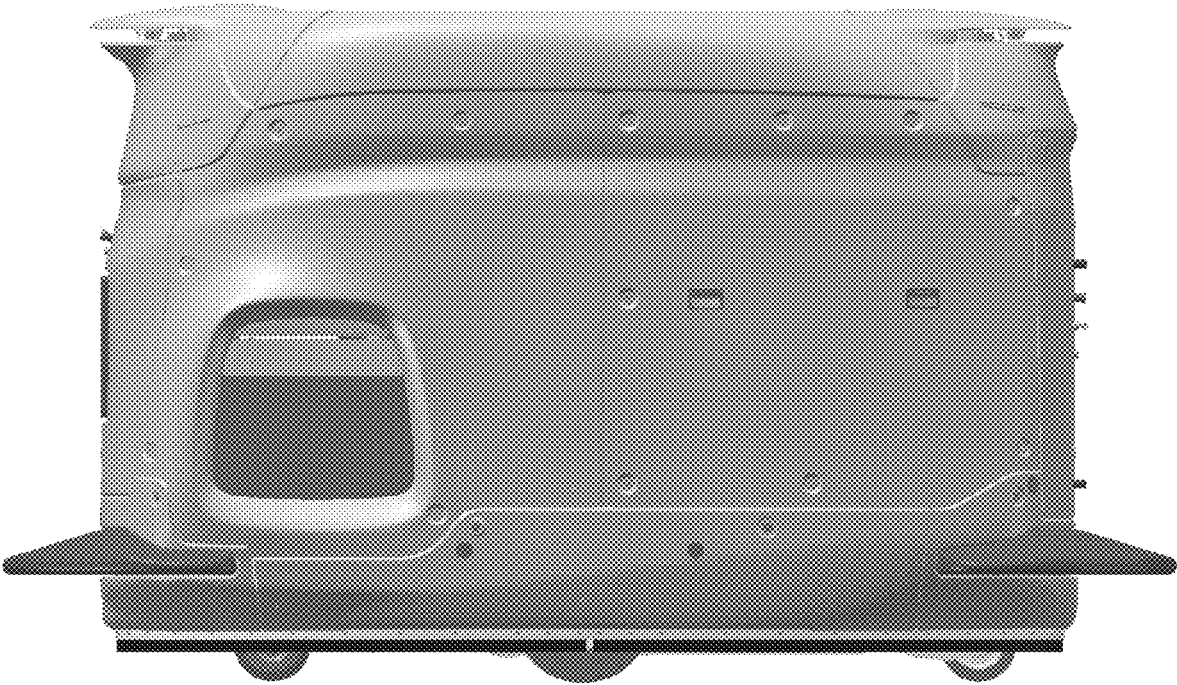
2.2



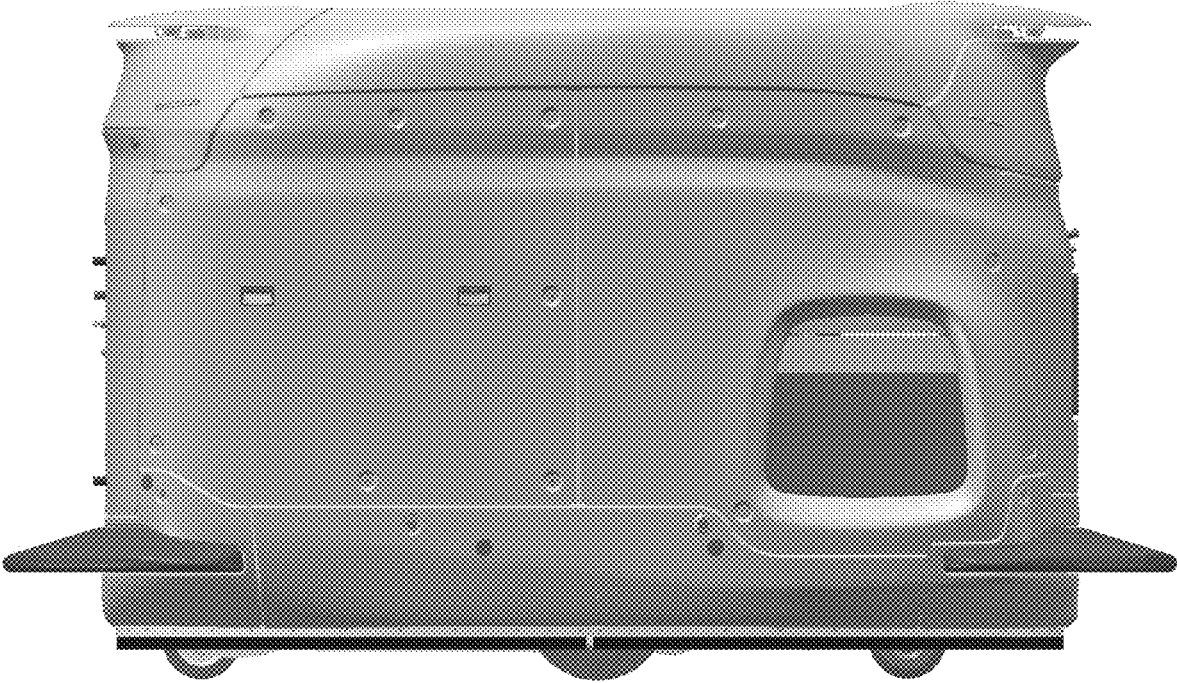
2.3



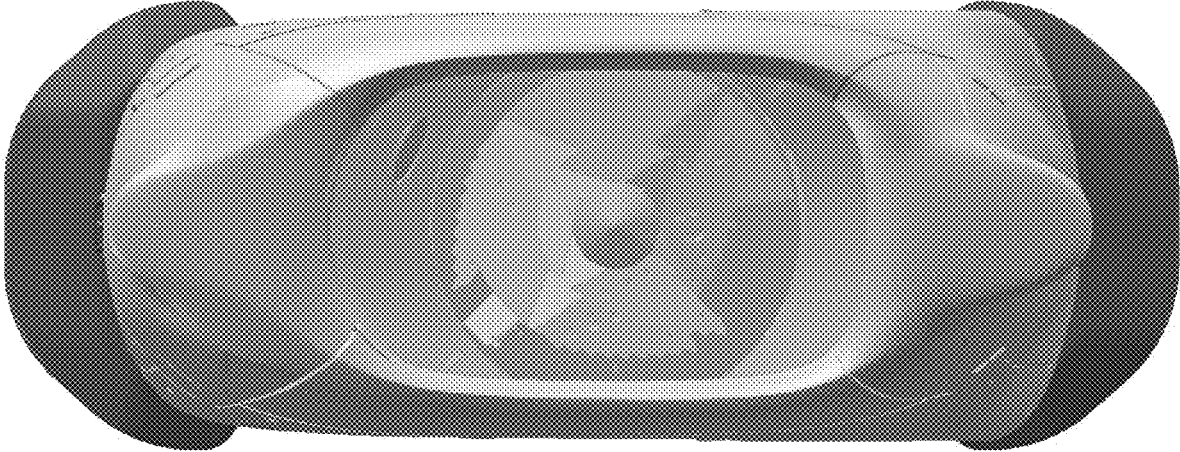
2.4



2.5



2.6



2.7

