



US00D783302S

(12) **United States Design Patent** (10) **Patent No.:** **US D783,302 S**  
**Zalaba** (45) **Date of Patent:** **\*\* Apr. 11, 2017**

(54) **CHAIR**  
(71) Applicant: **Ginger Zalaba**, Bruttisellen (CH)  
(72) Inventor: **Ginger Zalaba**, Bruttisellen (CH)  
(\*\*) Term: **15 Years**  
(21) Appl. No.: **29/544,782**  
(22) Filed: **Nov. 6, 2015**

(51) **LOC (10) Cl.** ..... **06-01**  
(52) **U.S. Cl.**  
USPC ..... **D6/379**  
(58) **Field of Classification Search**  
USPC ..... D6/334-336, 360-381, 388, 403, 716,  
D6/716.1-716.4, 717  
CPC .. A47C 3/023; A47C 3/04; A47C 3/12; A47C  
3/14; A47C 4/02; A47C 4/03; A47C 4/04;  
A47C 7/16; A47C 7/40; A47C 7/54;  
A47C 5/04; A47C 5/046; A47C 5/06  
See application file for complete search history.

(56) **References Cited**

**U.S. PATENT DOCUMENTS**

D249,413	S	*	9/1978	Frank	.....	D6/371
D253,859	S	*	1/1980	Hosoe	.....	D6/372
D263,353	S	*	3/1982	Beals	.....	D6/370
D347,947	S	*	6/1994	Donnelly	.....	D6/368
D440,422	S	*	4/2001	DeJule	.....	D6/371
D441,972	S	*	5/2001	Mitjans	.....	D6/368
D448,189	S	*	9/2001	Jahn	.....	D6/368
D469,619	S	*	2/2003	Stewart	.....	D6/370
D509,672	S	*	9/2005	Nemeth, Jr.	.....	D6/368
D635,788	S	*	4/2011	Schwamkrug	.....	D6/371

\* cited by examiner

*Primary Examiner* — Ricky Pham  
(74) *Attorney, Agent, or Firm* — Benjamin D. Rotman;  
David G. Rosenbaum; Rosenbaum IP, P.C.

(57) **CLAIM**

The ornamental design for a chair, as shown and described.

**DESCRIPTION**

FIG. 1 is a first front perspective view of a chair in accordance with a first embodiment of the invention; FIG. 2 is a first rear perspective view of FIG. 1; FIG. 3 is a back view of FIG. 1; FIG. 4 is a second front perspective view of FIG. 1; FIG. 5 is a side view of FIG. 1; FIG. 6 is a second rear perspective view of FIG. 1; FIG. 7 is a front view of FIG. 1; FIG. 8 is a front perspective view of a chair in accordance with a second embodiment of the invention; FIG. 9 is a side view of FIG. 8; FIG. 10 is a rear perspective view of FIG. 8; FIG. 11 is a front view of FIG. 8; FIG. 12 is a first front perspective view of a chair in accordance with a third embodiment of the invention; FIG. 13 is a first side view of FIG. 12; FIG. 14 is a first rear perspective view of FIG. 12; FIG. 15 is a back view of FIG. 12; FIG. 16 is a second rear perspective view of FIG. 12; FIG. 17 is a second front perspective view of FIGS. 12; and, FIG. 18 is a front view of FIG. 12.

**1 Claim, 18 Drawing Sheets**





FIG 1

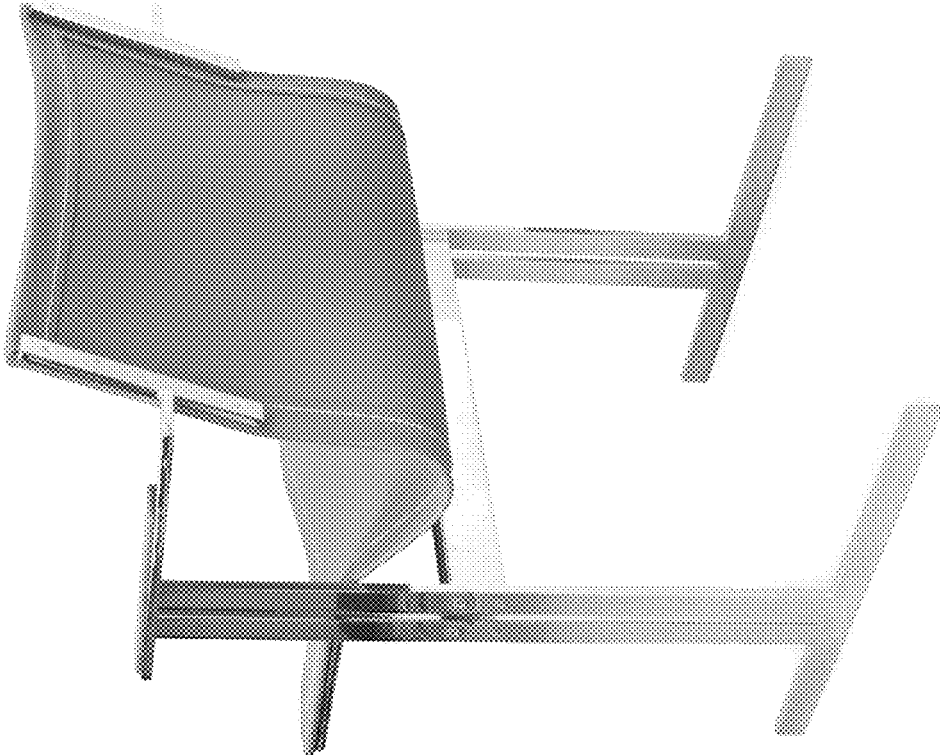


FIG 2

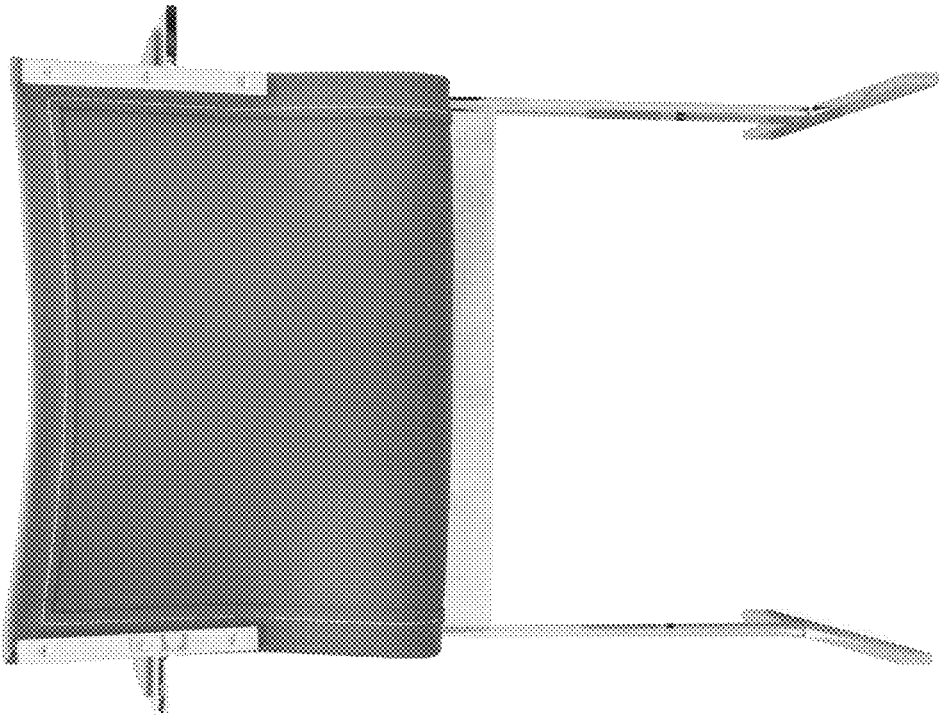


FIG 3

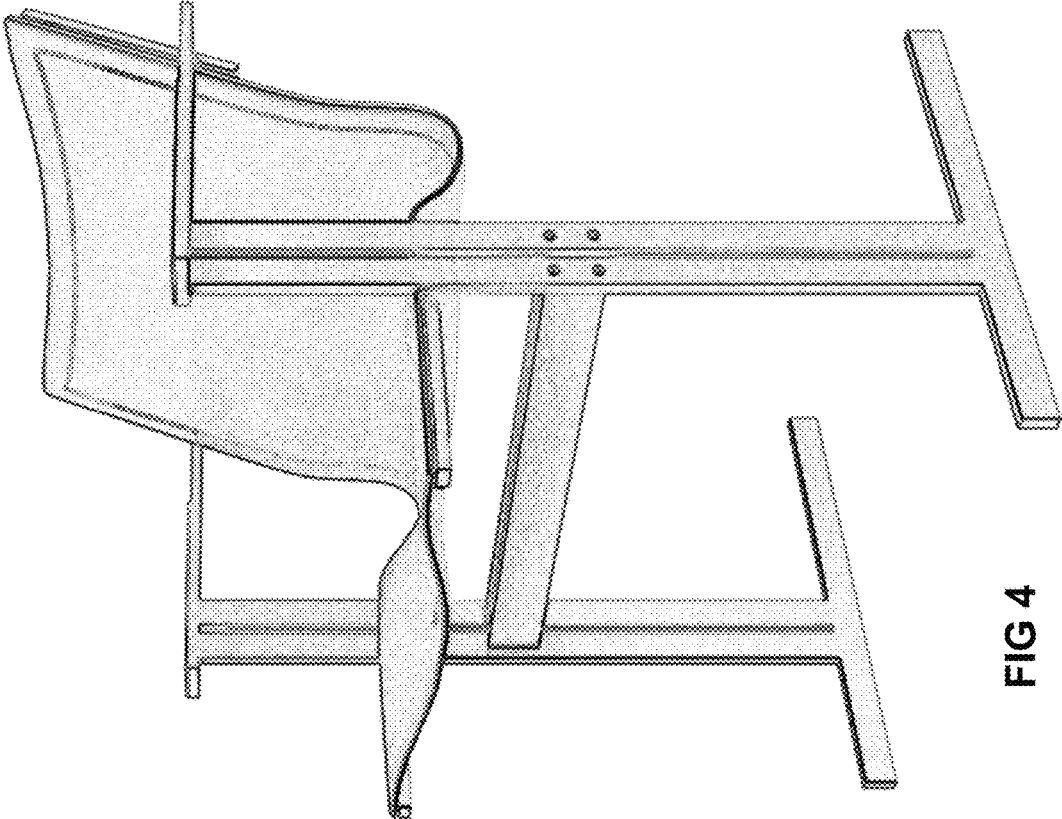


FIG 4

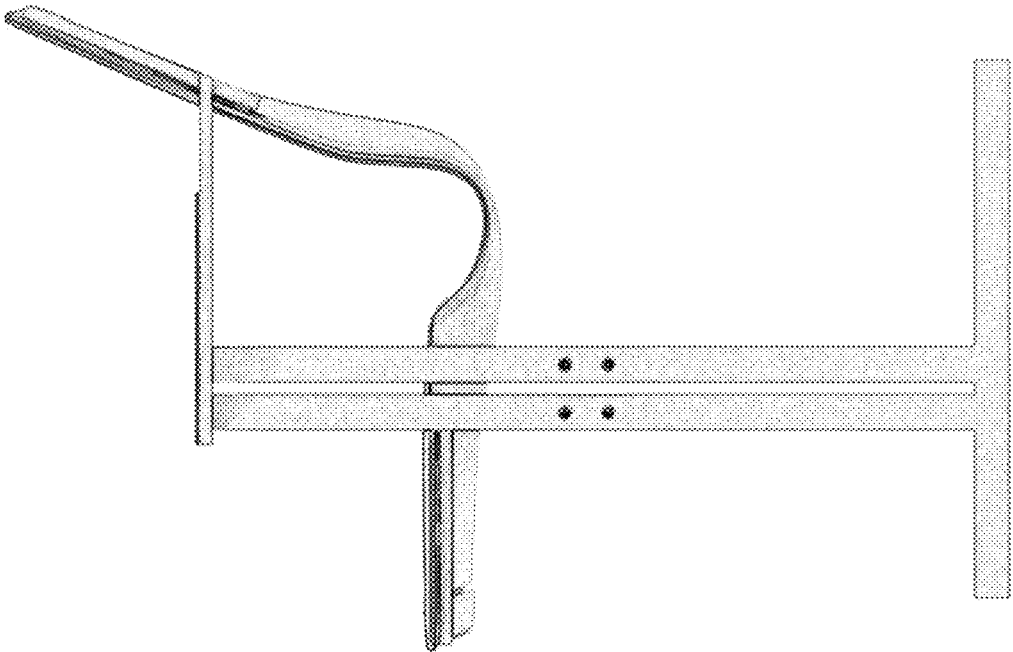


FIG 5

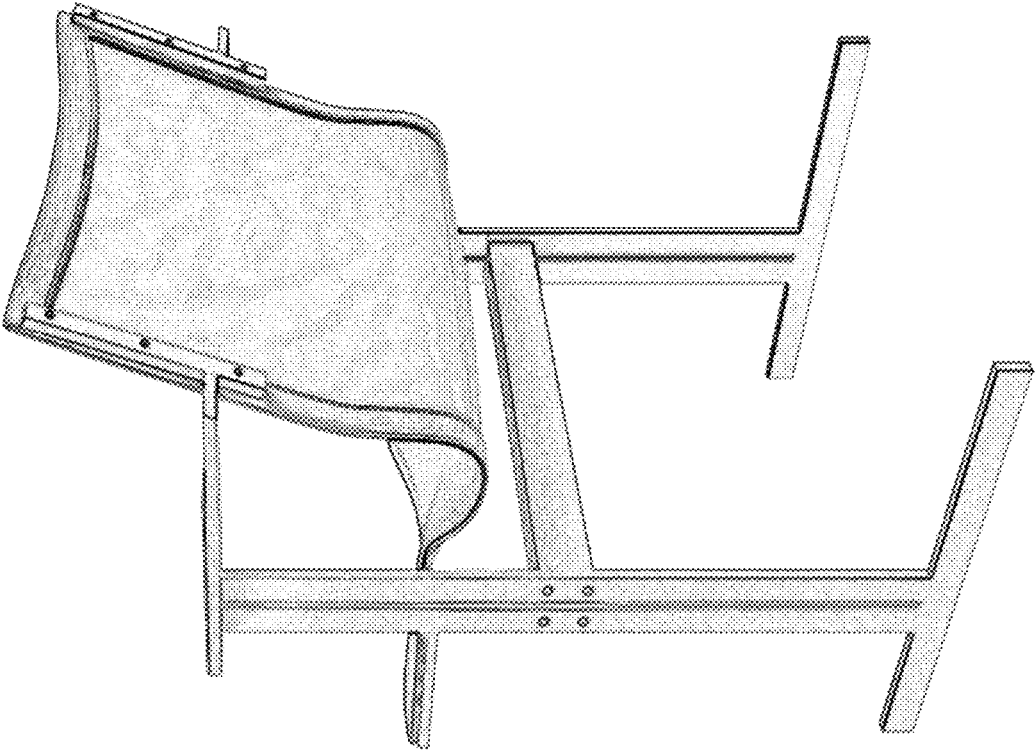


FIG 6

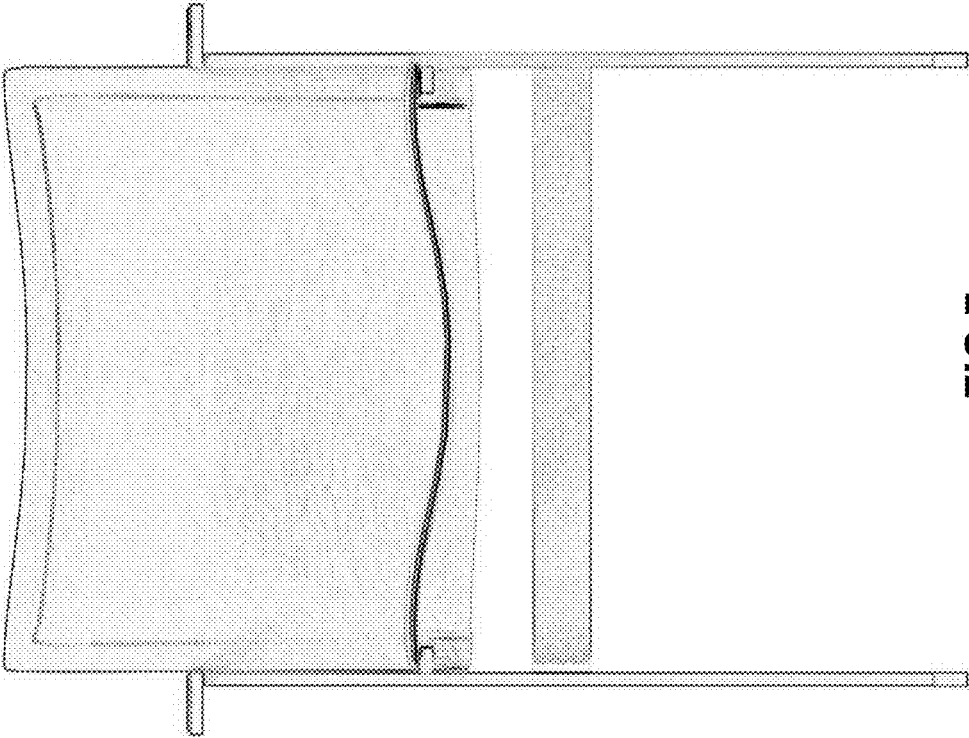


FIG 7

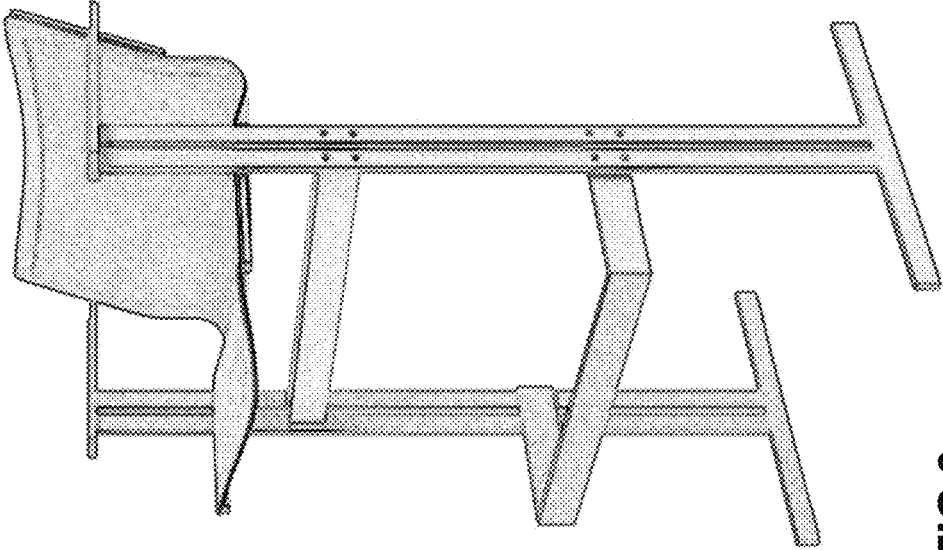


FIG 8

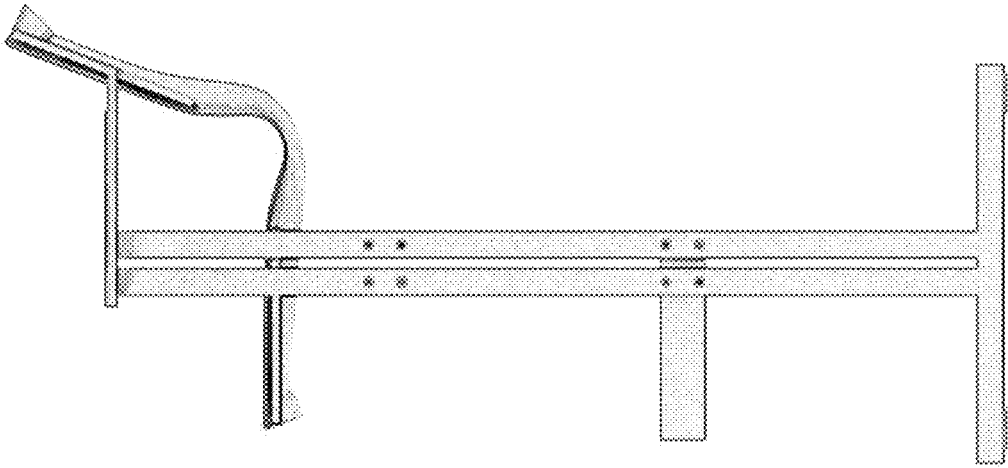


FIG 9

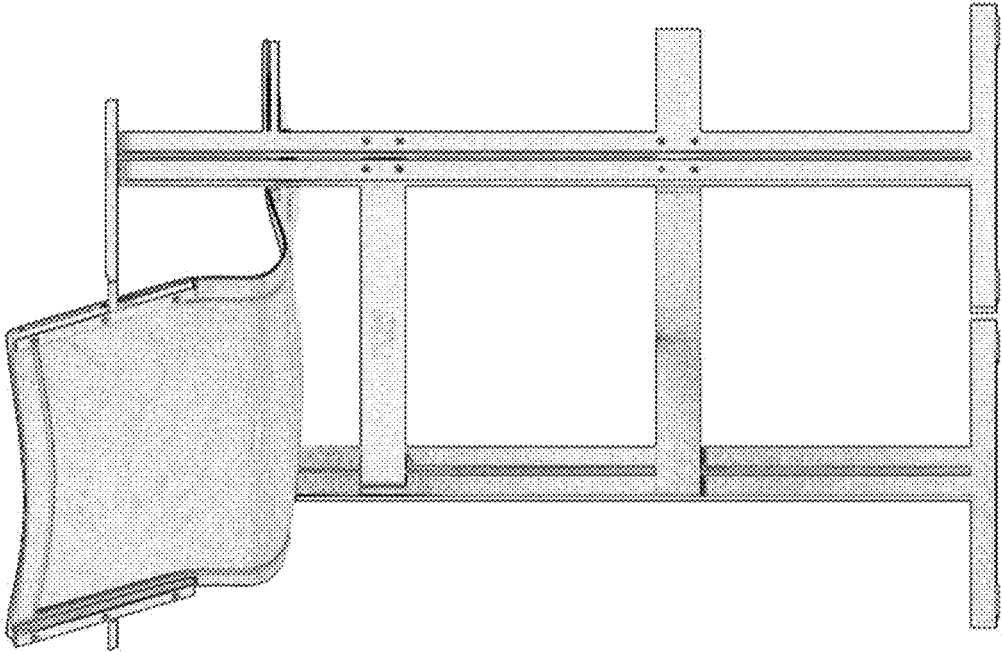


FIG 10

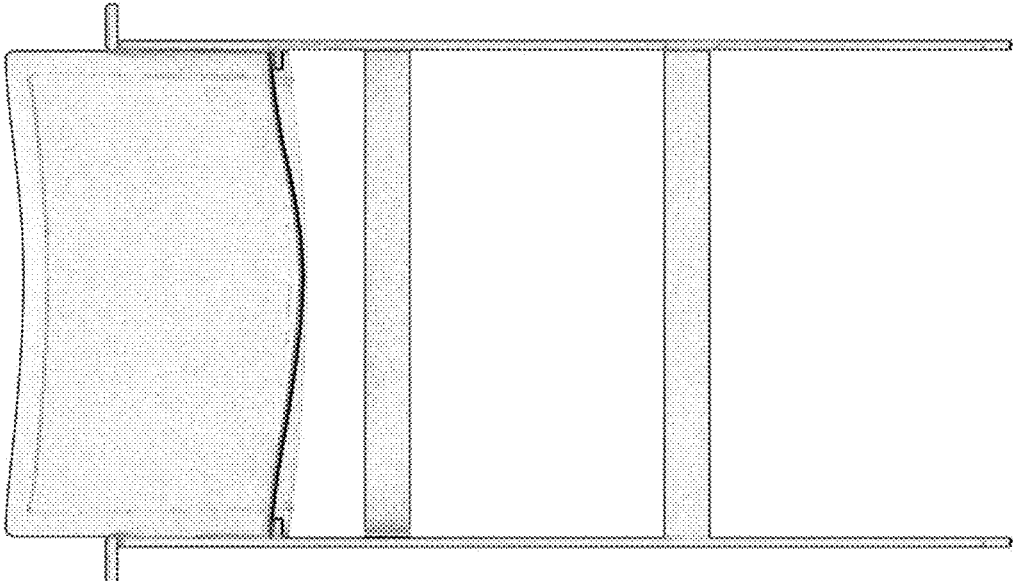


FIG 11

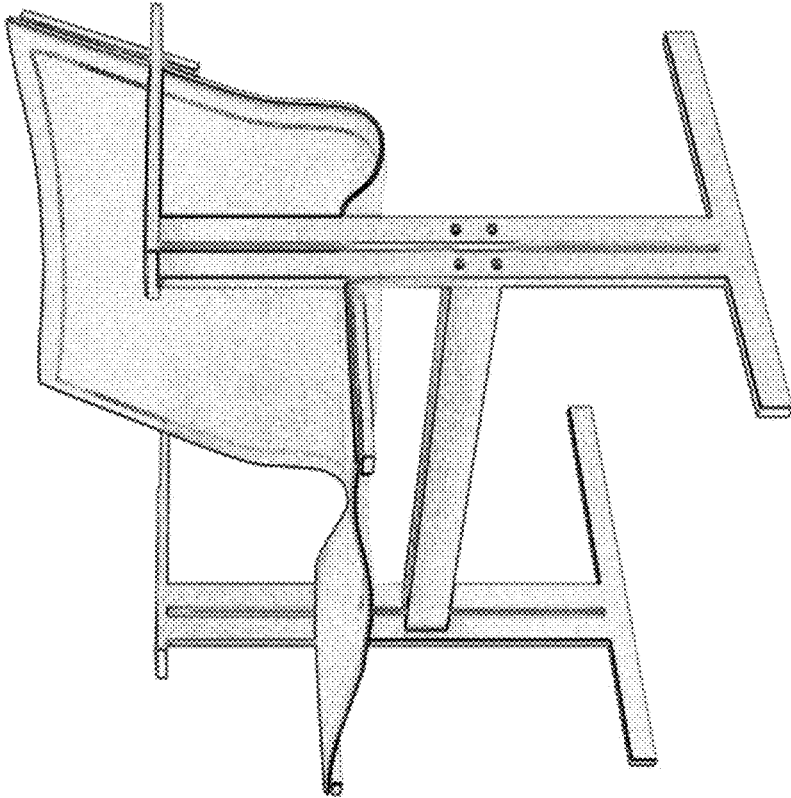


FIG 12

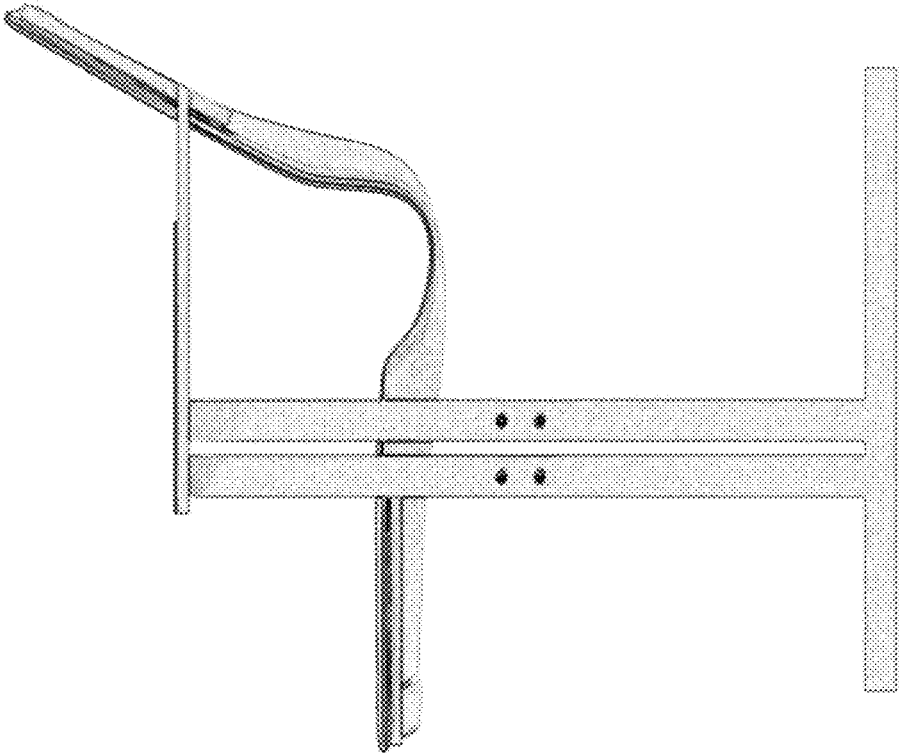


FIG 13

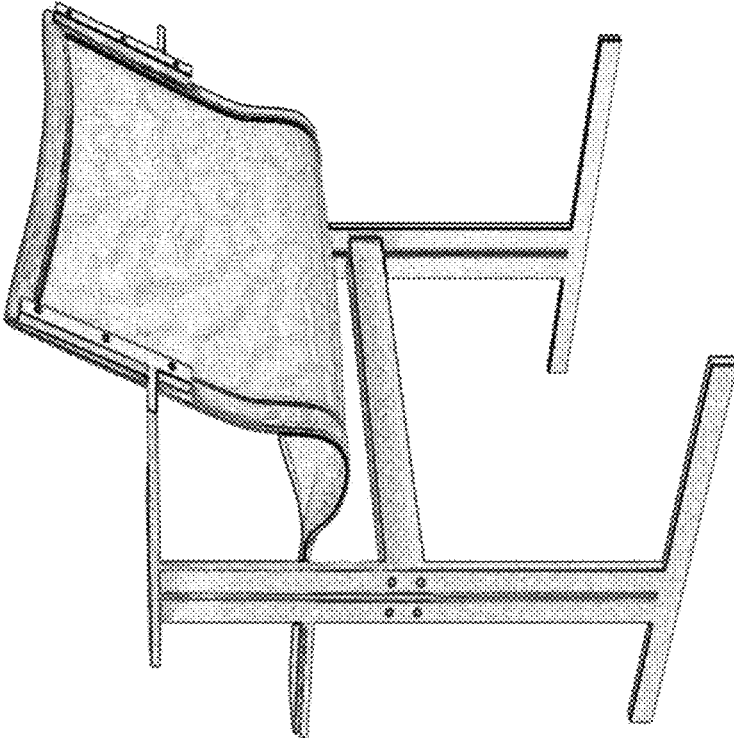


FIG 14

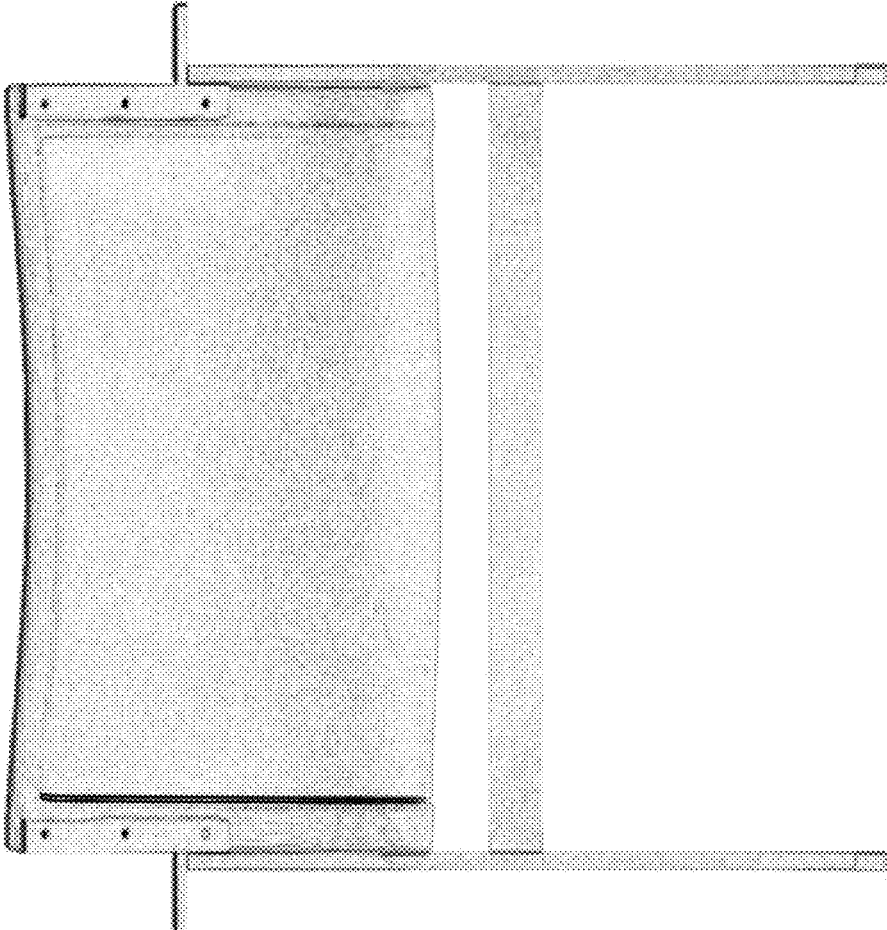


FIG 15

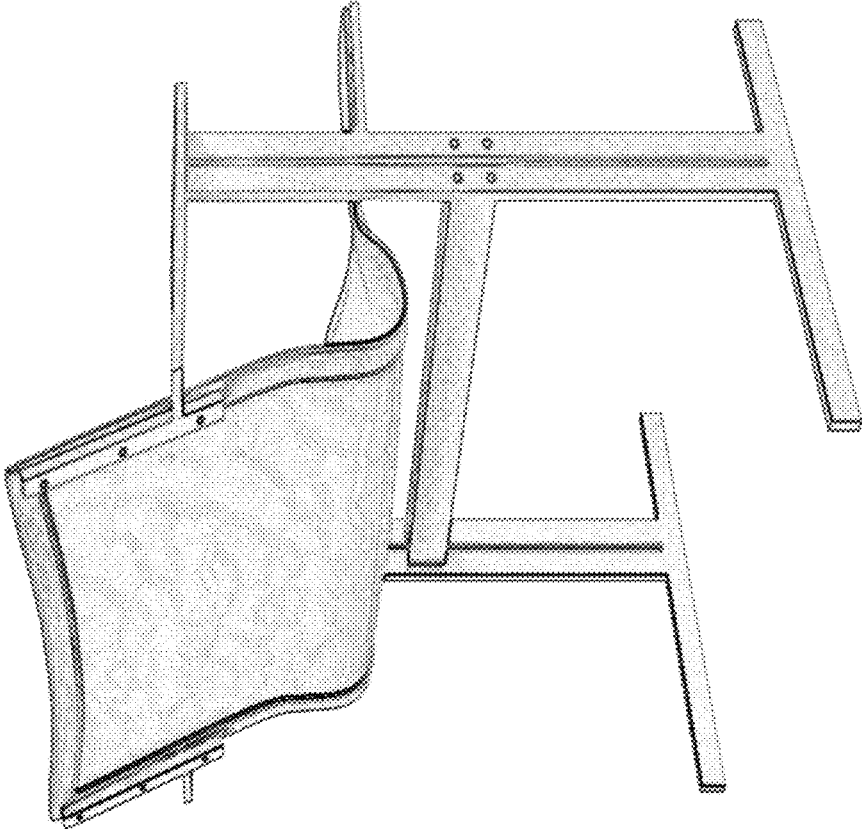


FIG 16

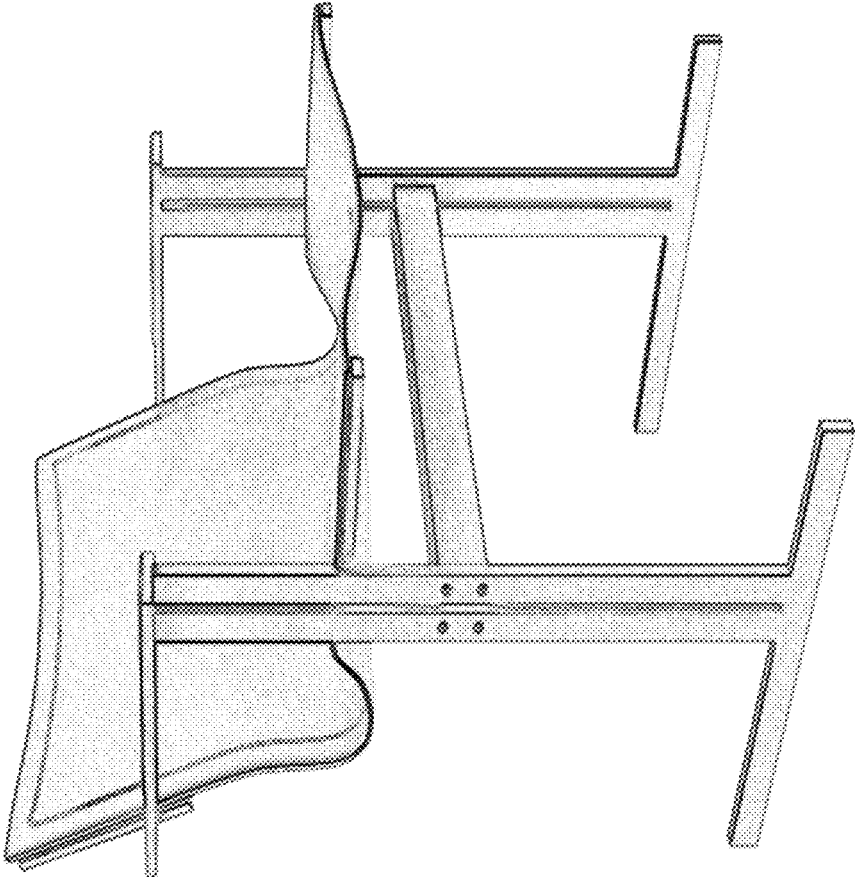


FIG 17

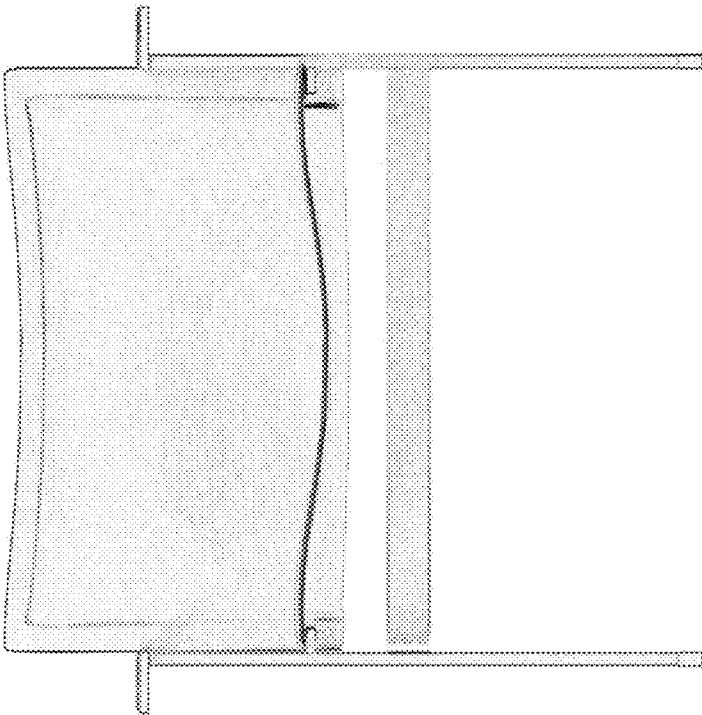


FIG 18