



- (51) **International Patent Classification:**  
*A61M 5/20* (2006.01) *A61M 5/315* (2006.01)
- (21) **International Application Number:**  
PCT/EP2016/074756
- (22) **International Filing Date:**  
14 October 2016 (14.10.2016)
- (25) **Filing Language:** English
- (26) **Publication Language:** English
- (30) **Priority Data:**  
P.414382 15 October 2015 (15.10.2015) PL
- (71) **Applicant:** COPERNICUS SP. Z O.O. [PL/PL]; ul. Litewska 10A, 71-344 Szczecin (PL).
- (72) **Inventors:** STEFANSKI, Adam; Libelta 41a, 62-200 Gniezno (PL). WILCZEK, Mateusz; Kazimierska 1b/11, 71-043 Szczecin (PL). LOZANO PLATONOFF, Alberto; Mickiewicza 51, 70-385 Szczecin (PL).
- (74) **Agent:** PAWLOWSKI, Adam; Eupatent.pl, Zeligowskiego 3/5, 90-752 Lodz (PL).
- (81) **Designated States** (unless otherwise indicated, for every kind of national protection available): AE, AG, AL, AM, AO, AT, AU, AZ, BA, BB, BG, BH, BN, BR, BW, BY, BZ, CA, CH, CL, CN, CO, CR, CU, CZ, DE, DJ, DK, DM, DO, DZ, EC, EE, EG, ES, FI, GB, GD, GE, GH, GM, GT, HN, HR, HU, ID, IL, IN, IR, IS, JP, KE, KG, KN, KP, KR, KW, KZ, LA, LC, LK, LR, LS, LU, LY, MA, MD, ME,

MG, MK, MN, MW, MX, MY, MZ, NA, NG, NI, NO, NZ, OM, PA, PE, PG, PH, PL, PT, QA, RO, RS, RU, RW, SA, SC, SD, SE, SG, SK, SL, SM, ST, SV, SY, TH, TJ, TM, TN, TR, TT, TZ, UA, UG, US, UZ, VC, VN, ZA, ZM, ZW.

- (84) **Designated States** (unless otherwise indicated, for every kind of regional protection available): ARIPO (BW, GH, GM, KE, LR, LS, MW, MZ, NA, RW, SD, SL, ST, SZ, TZ, UG, ZM, ZW), Eurasian (AM, AZ, BY, KG, KZ, RU, TJ, TM), European (AL, AT, BE, BG, CH, CY, CZ, DE, DK, EE, ES, FI, FR, GB, GR, HR, HU, IE, IS, IT, LT, LU, LV, MC, MK, MT, NL, NO, PL, PT, RO, RS, SE, SI, SK, SM, TR), OAPI (BF, BJ, CF, CG, CI, CM, GA, GN, GQ, GW, KM, ML, MR, NE, SN, TD, TG).

**Declarations under Rule 4.17:**

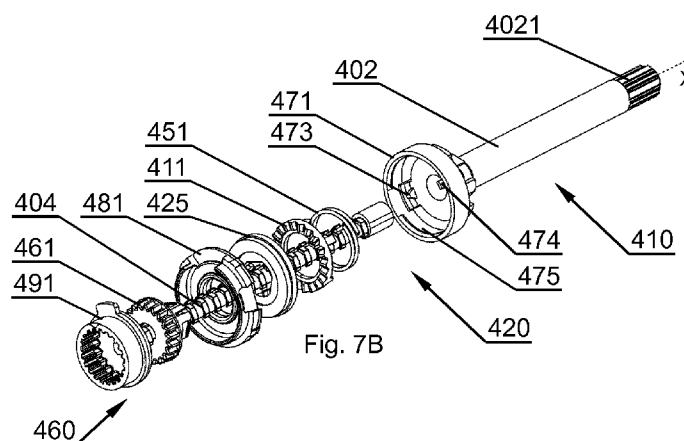
- as to the identity of the inventor (Rule 4.17(i))
- as to applicant's entitlement to apply for and be granted a patent (Rule 4.17(ii))
- as to the applicant's entitlement to claim the priority of the earlier application (Rule 4.17(iii))
- of inventorship (Rule 4.17(iv))

**Published:**

- with international search report (Art. 21(3))
- before the expiration of the time limit for amending the claims and to be republished in the event of receipt of amendments (Rule 48.2(h))

[Continued on next page]

- (54) **Title:** A SETTING MECHANISM FOR AN INJECTION DEVICE



- (57) **Abstract:** A setting mechanism for a dosing device, in particular for a device for dosing pharmaceutical or therapeutic substances, the setting mechanism comprising: a controlling assembly (410, 471, 402, 451, 411) for connecting the setting mechanism with a dose setting element of the dosing device; a driving assembly (420) for connecting the setting mechanism with a driving element of the dosing device; a dosing assembly (460, 461) for connecting the setting mechanism with a dosing element of the dosing device; wherein the controlling assembly is coupled with the dosing assembly by a spring element, which can deform from a coupled position to a decoupled position during rotation of the dose setting element, wherein the spring element is configured to allow a displacement of the controlling assembly with respect to the dosing assembly, and wherein in the coupled position the spring element is configured to block a rotation of the controlling assembly with respect to the dosing assembly.





— upon request of the applicant, before the expiration of the  
time limit referred to in Article 21(2)(a)

**(88) Date of publication of the international search report:**  
2 February 2017

# INTERNATIONAL SEARCH REPORT

International application No PCT/EP2016/074756
---

<b>A. CLASSIFICATION OF SUBJECT MATTER</b> INV. A61M5/20                      A61M5/315 ADD.		
According to International Patent Classification (IPC) or to both national classification and IPC		
<b>B. FIELDS SEARCHED</b>		
Minimum documentation searched (classification system followed by classification symbols) A61M		
Documentation searched other than minimum documentation to the extent that such documents are included in the fields searched		
Electronic data base consulted during the international search (name of data base and, where practicable, search terms used) EPO-Internal		
<b>C. DOCUMENTS CONSIDERED TO BE RELEVANT</b>		
Category*	Citation of document, with indication, where appropriate, of the relevant passages	Relevant to claim No.
X	WO 2012/154110 A1 (SHL GROUP AB [SE]; KARLSSON ANDERS [SE]) 15 November 2012 (2012-11-15) page 8, line 4 - page 14, line 14; figures -----	1-29
X	WO 2006/126902 A1 (KAPPA MEDILAB SP Z O O [PL]) 30 November 2006 (2006-11-30) pages 5-9; figures -----	1-10, 13-29
X	WO 2006/045526 A1 (NOVO NORDISK AS [DK]; MOELLER CLAUS SCHMIDT [DK]; ENNGAARD CHRISTIAN P) 4 May 2006 (2006-05-04) pages 5-7; figures -----	1-10, 13-29
X	WO 2011/025448 A1 (SHL GROUP AB [SE]; WIESELBLAD ANDERS [SE]; HOLMQVIST ANDERS [SE]) 3 March 2011 (2011-03-03) pages 6-12; figures -----	1-10, 13-29
----- -/--		
<input checked="" type="checkbox"/> Further documents are listed in the continuation of Box C. <input checked="" type="checkbox"/> See patent family annex.		
* Special categories of cited documents :		
"A" document defining the general state of the art which is not considered to be of particular relevance "E" earlier application or patent but published on or after the international filing date "L" document which may throw doubts on priority claim(s) or which is cited to establish the publication date of another citation or other special reason (as specified) "O" document referring to an oral disclosure, use, exhibition or other means "P" document published prior to the international filing date but later than the priority date claimed	"T" later document published after the international filing date or priority date and not in conflict with the application but cited to understand the principle or theory underlying the invention "X" document of particular relevance; the claimed invention cannot be considered novel or cannot be considered to involve an inventive step when the document is taken alone "Y" document of particular relevance; the claimed invention cannot be considered to involve an inventive step when the document is combined with one or more other such documents, such combination being obvious to a person skilled in the art "&" document member of the same patent family	
Date of the actual completion of the international search  14 December 2016	Date of mailing of the international search report  02/01/2017	
Name and mailing address of the ISA/ European Patent Office, P.B. 5818 Patentlaan 2 NL - 2280 HV Rijswijk Tel. (+31-70) 340-2040, Fax: (+31-70) 340-3016	Authorized officer  Björklund, Andreas	

**INTERNATIONAL SEARCH REPORT**

International application No PCT/EP2016/074756
---

C(Continuation). DOCUMENTS CONSIDERED TO BE RELEVANT

Category*	Citation of document, with indication, where appropriate, of the relevant passages	Relevant to claim No.
X	W0 2015/032772 A1 (SANOFI SA [FR]) 12 March 2015 (2015-03-12) page 25, line 30 - page 30, line 18; figures -----	1-29
X	US 2015/051551 A1 (HIRSCHEL JUERG [CH] ET AL) 19 February 2015 (2015-02-19) paragraph [0040]; figures -----	1-24,26, 27

# INTERNATIONAL SEARCH REPORT

Information on patent family members

International application No PCT/EP2016/074756
---

Patent document cited in search report	Publication date	Patent family member(s)	Publication date
WO 2012154110 A1	15-11-2012	CN 103517729 A	15-01-2014
		EP 2707063 A1	19-03-2014
		TW 201313268 A	01-04-2013
		US 2014088515 A1	27-03-2014
		WO 2012154110 A1	15-11-2012
-----			
WO 2006126902 A1	30-11-2006	PL 208660 B1	31-05-2011
		WO 2006126902 A1	30-11-2006
-----			
WO 2006045526 A1	04-05-2006	AT 444090 T	15-10-2009
		AU 2005298944 A1	04-05-2006
		CA 2584760 A1	04-05-2006
		CN 101060874 A	24-10-2007
		DK 1804865 T3	01-02-2010
		EP 1804865 A1	11-07-2007
		ES 2334046 T3	04-03-2010
		JP 4698677 B2	08-06-2011
		JP 2008516712 A	22-05-2008
		KR 20070084393 A	24-08-2007
		RU 2007114761 A	27-11-2008
		US 2008147005 A1	19-06-2008
		WO 2006045526 A1	04-05-2006
		ZA 200703707 B	25-02-2009
-----			
WO 2011025448 A1	03-03-2011	AU 2010287033 A1	12-04-2012
		CN 102573963 A	11-07-2012
		EP 2470245 A1	04-07-2012
		JP 5309261 B2	09-10-2013
		JP 2013502296 A	24-01-2013
		US 2012165752 A1	28-06-2012
		WO 2011025448 A1	03-03-2011
-----			
WO 2015032772 A1	12-03-2015	CN 105682712 A	15-06-2016
		EP 3041537 A1	13-07-2016
		JP 2016529017 A	23-09-2016
		US 2016193423 A1	07-07-2016
		WO 2015032772 A1	12-03-2015
-----			
US 2015051551 A1	19-02-2015	CH 703993 A2	15-03-2012
		CN 104093440 A	08-10-2014
		EP 2812055 A1	17-12-2014
		US 2015051551 A1	19-02-2015
		WO 2013116951 A1	15-08-2013
-----			