



US00D781917S

(12) **United States Design Patent**
Forsberg

(10) **Patent No.:** **US D781,917 S**

(45) **Date of Patent:** **** Mar. 21, 2017**

- (54) **DISPLAY SCREEN WITH ICON**
- (71) Applicant: **ThreeWire, Inc.**, Eden Prairie, MN (US)
- (72) Inventor: **Charles Forsberg**, Long Lake, MN (US)
- (73) Assignee: **THREEWIRE, INC.**, Eden Prairie, MN (US)
- (**) Term: **15 Years**
- (21) Appl. No.: **29/542,542**
- (22) Filed: **Oct. 15, 2015**
- (51) **LOC (10) Cl.** **14-04**
- (52) **U.S. Cl.**
USPC **D14/495**
- (58) **Field of Classification Search**
USPC D14/485-95; D18/24-33; D19/6, 52;
D20/11; D21/324-33; 715/700-867,
715/973-77
CPC G06F 3/048-3/04897
See application file for complete search history.

D650,808 S *	12/2011	Viegers	D14/495
8,209,606 B2 *	6/2012	Ording	G06F 3/0485 345/156
D667,459 S *	9/2012	Phelan	D14/495
D690,716 S *	10/2013	Thomsen	D14/485
D738,922 S *	9/2015	Torres	D14/495
D740,856 S *	10/2015	Staake	D14/495
D742,416 S *	11/2015	Chang	D14/495
D746,867 S *	1/2016	Torres	D14/495
D752,646 S *	3/2016	Miles	D14/495
D754,679 S *	4/2016	Gobinski	D14/485
D754,750 S *	4/2016	Boix Sagarra	D14/495
D757,116 S *	5/2016	Capela	D14/495
D758,391 S *	6/2016	Suarez	D14/485
D764,550 S *	8/2016	Yun	D14/495
2010/0192106 A1 *	7/2010	Watanabe	G09G 5/14 715/838

(56) **References Cited**

U.S. PATENT DOCUMENTS

5,692,205 A *	11/1997	Berry	G06F 3/0481 707/E17.009
D400,196 S *	10/1998	Cameron	D14/495
D462,698 S *	9/2002	Sturm	D14/495
6,784,901 B1 *	8/2004	Harvey	H04L 12/1827 709/204
D511,527 S *	11/2005	Hernandez	D14/489
D576,214 S *	9/2008	Vernondier	D20/31
D594,471 S *	6/2009	Hofmann	D14/495
D619,609 S *	7/2010	Meziere	D14/486
D650,806 S *	12/2011	Impas	D14/495

OTHER PUBLICATIONS

Trademark application 85493243.*

* cited by examiner

Primary Examiner — Melanie H Tung

(74) *Attorney, Agent, or Firm* — Altera Law Group, LLC

(57) **CLAIM**

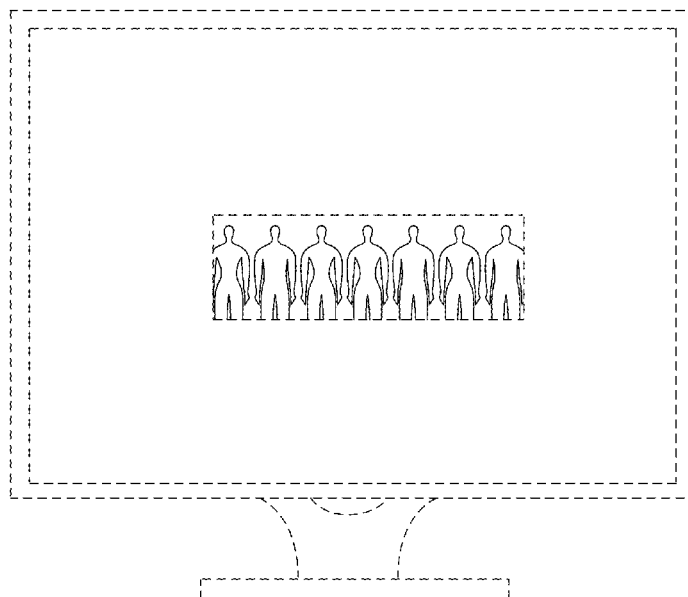
The ornamental design for display screen with icon, as shown and described.

DESCRIPTION

FIG. 1 is a front view of a display screen with icon; and, FIG. 2 is a front view thereof, the icon is shown on an enlarged scale and separately for clarity of illustration.

The broken line showing of the display screen in FIG. 1 and the broken line showing immediately adjacent to the icon in both views form no part of the claimed design.

1 Claim, 2 Drawing Sheets



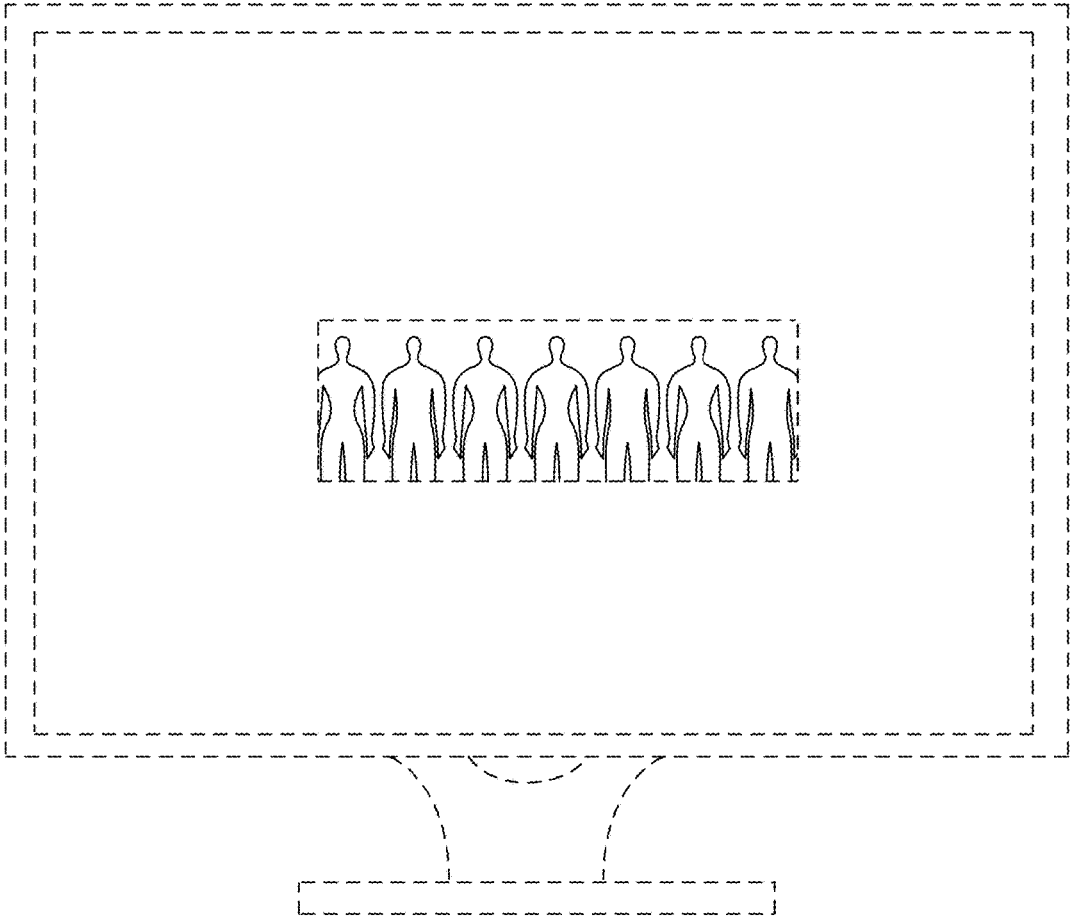


FIG. 1

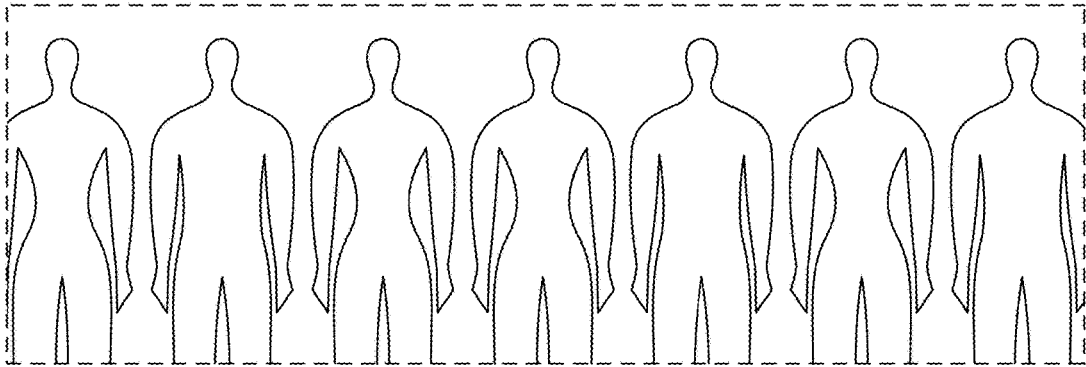


FIG. 2