



(12) **United States Design Patent**
Oneufer et al.

(10) **Patent No.:** **US D791,088 S**
(45) **Date of Patent:** **** Jul. 4, 2017**

(54) **SWITCH HANDLE FOR CIRCUIT BREAKERS**

Primary Examiner — Selina Sikder
(74) *Attorney, Agent, or Firm* — Myers Bigel, P.A.

(71) Applicant: **Eaton Corporation**, Cleveland, OH (US)

(57) **CLAIM**

(72) Inventors: **Stephen William Oneufer**, Fayetteville, NC (US); **Edgar Yee**, Chapel Hill, NC (US); **Robert Allan Morris**, Fayetteville, NC (US); **Daniel Boyd Kroushl**, Clayton, NC (US)

The ornamental design for a switch handle for circuit breakers, as shown and described.

(73) Assignee: **Eaton Corporation**, Cleveland, OH (US)

DESCRIPTION

(**) Term: **15 Years**

FIG. 1 is a front, side perspective view of a switch handle for circuit breakers showing our design; FIG. 2 is front, opposing side perspective view thereof; FIG. 3 is a front view thereof (the bottom/rear view is disclaimed); FIG. 4 is a side view thereof; FIG. 5 is a side view opposite that shown in FIG. 4; FIG. 6 is a side view taken at 90 degrees from the view shown in FIG. 5; FIG. 7 is a side view opposite that shown in FIG. 6; FIG. 8 is a front, side perspective view of the switch handle for circuit breakers shown in an exemplary environmental view on a respective door of a unit of a circuit breaker; FIG. 9 is a front, side perspective view of the switch handle for circuit breakers shown in another exemplary environmental view on a door of a unit of a circuit breaker; FIG. 10 is a front, side perspective view of the switch handle for circuit breakers shown in FIGS. 1-9, illustrated in an extended lever configuration; FIG. 11 is a front, opposing side perspective view thereof; FIG. 12 is a front view thereof (the bottom/rear view is disclaimed); FIG. 13 is a side view thereof; FIG. 14 is a side view opposite that shown in FIG. 13; FIG. 15 is a side view taken at 90 degrees from the view shown in FIG. 14; FIG. 16 is a side view opposite that shown in FIG. 15; FIG. 17 is a front, side perspective view of the switch handle for circuit breakers with the extended lever shown in an exemplary environmental view on a respective door of a unit of a circuit breaker in an exemplary extended lever orientation; and,

(21) Appl. No.: **29/552,841**

(22) Filed: **Jan. 26, 2016**

Related U.S. Application Data

(62) Division of application No. 29/485,857, filed on Mar. 24, 2014, now Pat. No. Des. 751,516.

(51) **LOC (10) Cl.** **13-03**

(52) **U.S. Cl.**
USPC **D13/174**

(58) **Field of Classification Search**
USPC D13/160, 174

(Continued)

(56) **References Cited**

U.S. PATENT DOCUMENTS

4,024,441 A 5/1977 Coyle et al.
4,503,408 A 3/1985 Mrenna et al.

(Continued)

OTHER PUBLICATIONS

Product Brochure, Rotary handles, Molded-case circuit breakers, Eaton, Jun. 2013, 5 pages.

(Continued)

(Continued)

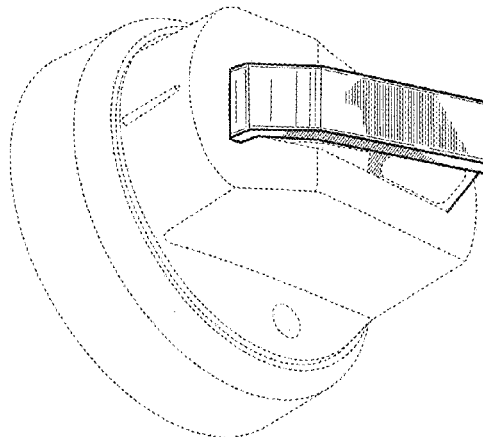
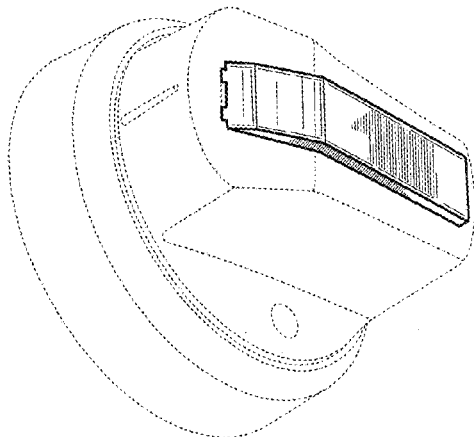


FIG. 18 is a front, side perspective view of the switch handle for circuit breakers with the extended lever shown in another exemplary environmental view on a door of a unit of a circuit breaker.

The broken lines shown herein are for illustrative purposes only and form no part of the claimed design.

1 Claim, 10 Drawing Sheets

(58) **Field of Classification Search**

CPC .. G05G 1/04; G05G 1/08; H01H 3/08; H01H 9/02; H01H 9/182; H01H 9/22; H01H 9/282; H01H 71/04; H01H 71/46; H01H 71/56; H01H 71/501

See application file for complete search history.

(56) **References Cited**

U.S. PATENT DOCUMENTS

4,612,424	A	9/1986	Clark et al.
D297,726	S	9/1988	Araki
4,851,621	A	7/1989	Borchardt et al.
D349,101	S	7/1994	Schaeffer
5,493,083	A	2/1996	Olivier
5,634,553	A	6/1997	Hopper et al.
5,687,834	A	11/1997	Simon et al.
D404,014	S	1/1999	Barnard et al.
5,910,760	A	6/1999	Malingowski et al.
6,194,983	B1	2/2001	Bogdon et al.
D438,846	S	3/2001	Bonn
6,423,912	B1	7/2002	Arenz et al.
6,518,526	B2	2/2003	Hamada et al.
6,596,952	B1	7/2003	Degrazia et al.
6,767,104	B2	7/2004	Worrell
6,797,903	B1	9/2004	Winslett et al.
6,969,813	B1	11/2005	Winslett et al.

7,002,088	B2	2/2006	Shin	
7,186,933	B2	3/2007	Turner	
7,214,895	B2	5/2007	Houck et al.	
7,238,903	B2	7/2007	Fischer	
D559,206	S	1/2008	Neveu	
7,399,934	B2	7/2008	Emura et al.	
7,420,133	B2	9/2008	Farrow et al.	
D580,880	S	11/2008	Lifran	
D606,026	S	12/2009	Azzola et al.	
D635,104	S	3/2011	Louise et al.	
D641,711	S	7/2011	Azzola et al.	
8,642,903	B2	2/2014	Sadowski et al.	
D750,577	S *	3/2016	Oneufer	D13/174
D751,516	S *	3/2016	Oneufer	D13/174
9,337,629	B2 *	5/2016	Oneufer	
D762,593	S *	8/2016	Oneufer	D13/174
D765,045	S *	8/2016	Oneufer	D13/174
9,451,718	B2 *	9/2016	Oneufer	H02B 1/36
9,484,163	B2 *	11/2016	Oneufer	H01H 9/223
9,531,169	B2 *	12/2016	Oneufer	H02B 1/46
2007/0272526	A1	11/2007	Ishido et al.	
2009/0167468	A1	7/2009	Dauer et al.	
2010/0032278	A1	2/2010	Lin	
2010/0294632	A1	11/2010	Reddering et al.	
2013/0056340	A1	3/2013	Serpinet et al.	
2013/0077210	A1	3/2013	Morris	
2014/0238829	A1	8/2014	Takatsu et al.	
2014/0326585	A1	11/2014	Reinhart et al.	
2015/0008108	A1	1/2015	Wu et al.	
2015/0053537	A1	2/2015	Manahan	
2015/0103472	A1	4/2015	Oneufer et al.	

OTHER PUBLICATIONS

Chilean Office Action for related Chilean application No. 2014-002395, dated Aug. 31, 2015, 6 pages.

Chilean Office Action for related Chilean application No. 2014-002396, dated Aug. 31, 2015, 6 pages.

* cited by examiner

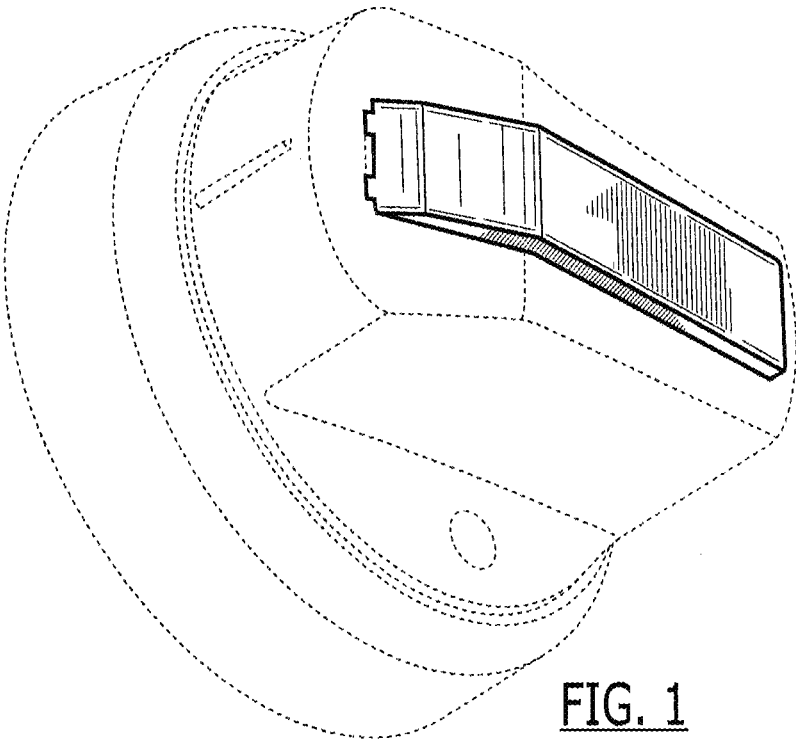


FIG. 1

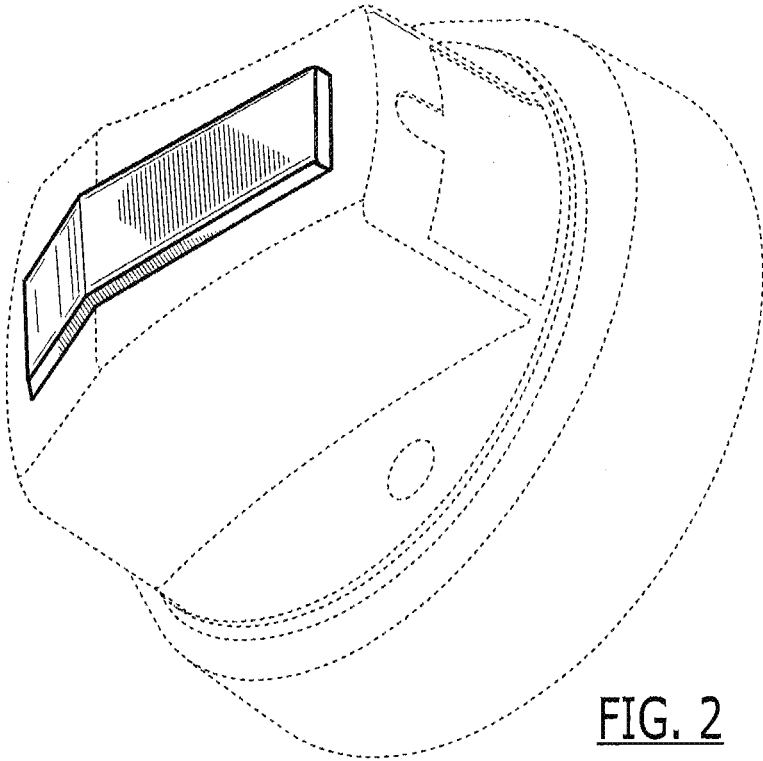


FIG. 2

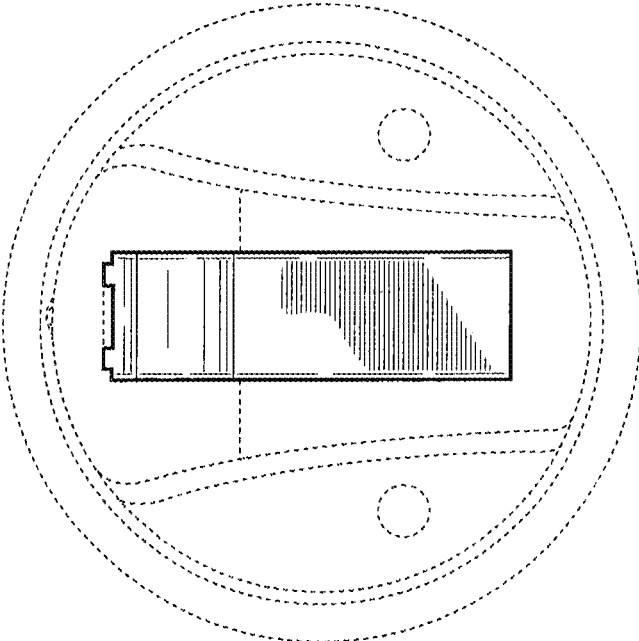


FIG. 3

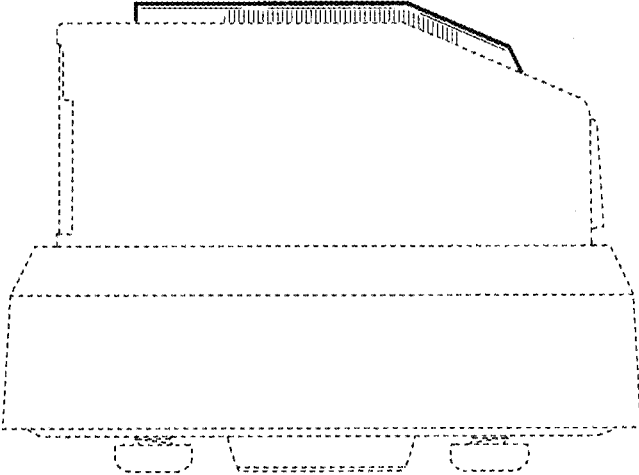


FIG. 4

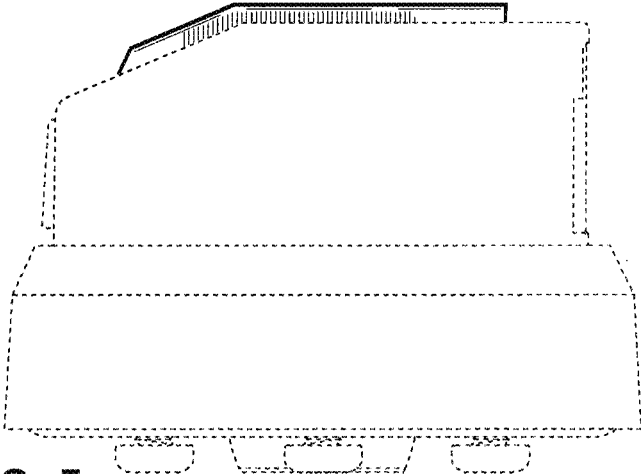


FIG. 5

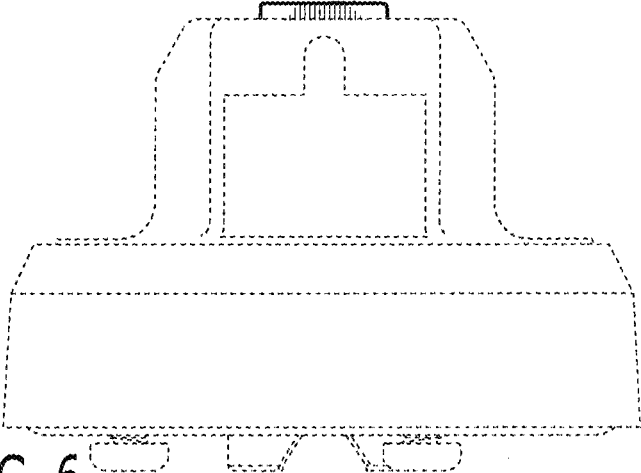


FIG. 6

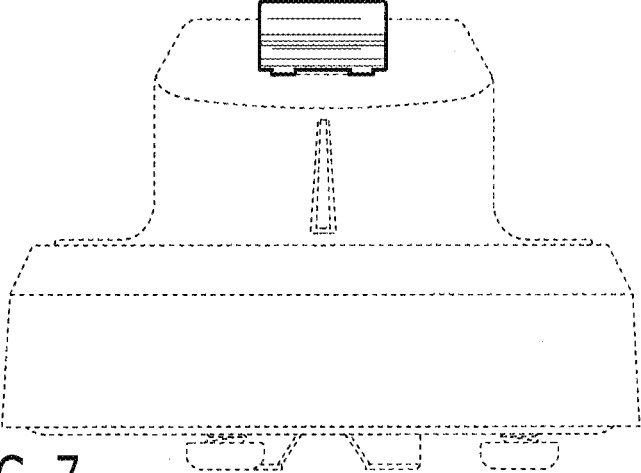


FIG. 7

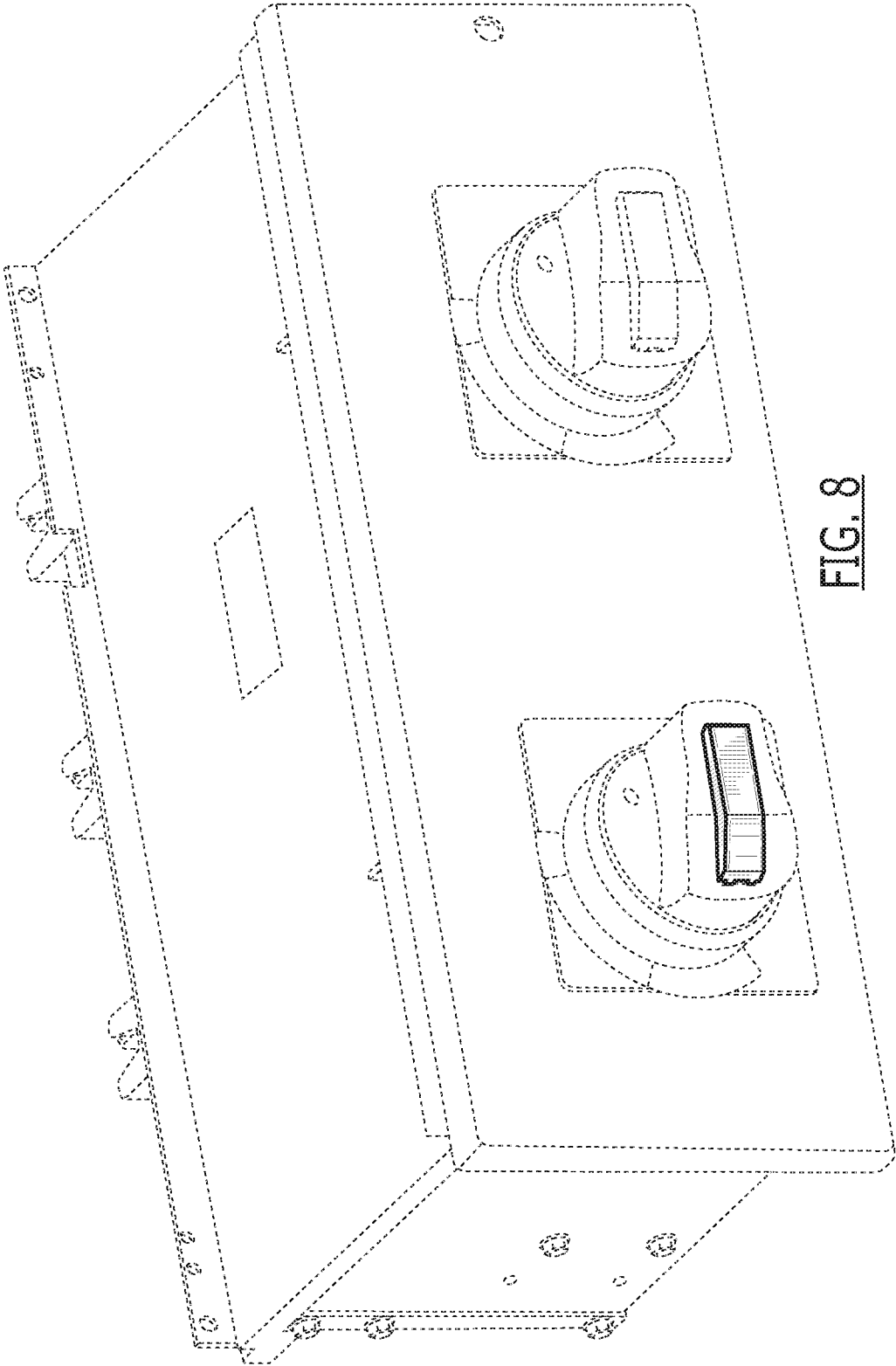


FIG. 8

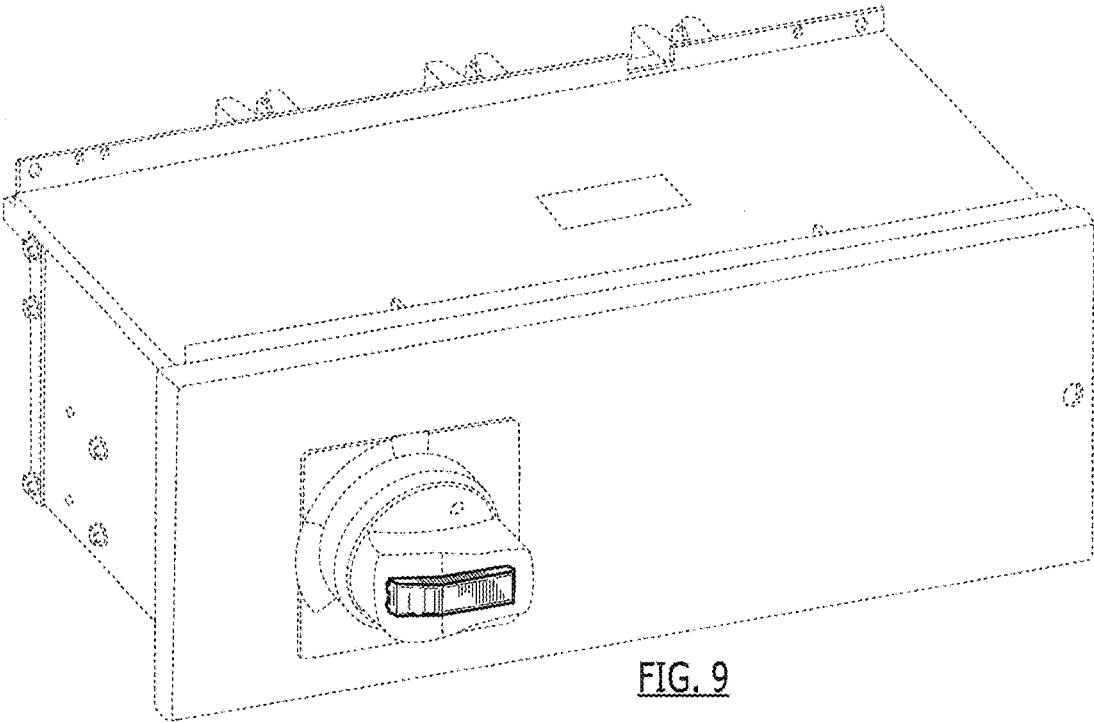


FIG. 9

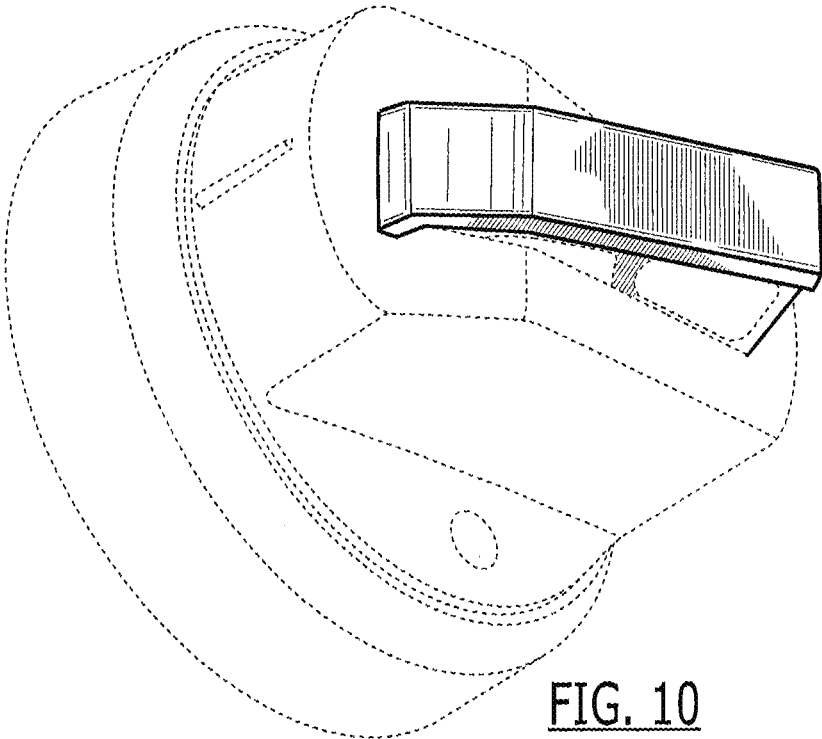


FIG. 10

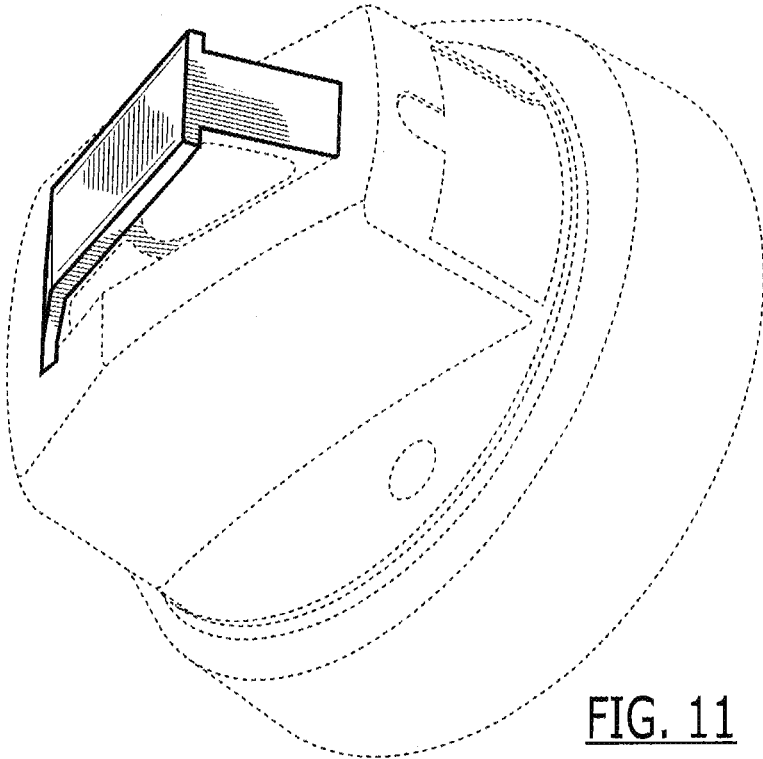


FIG. 11

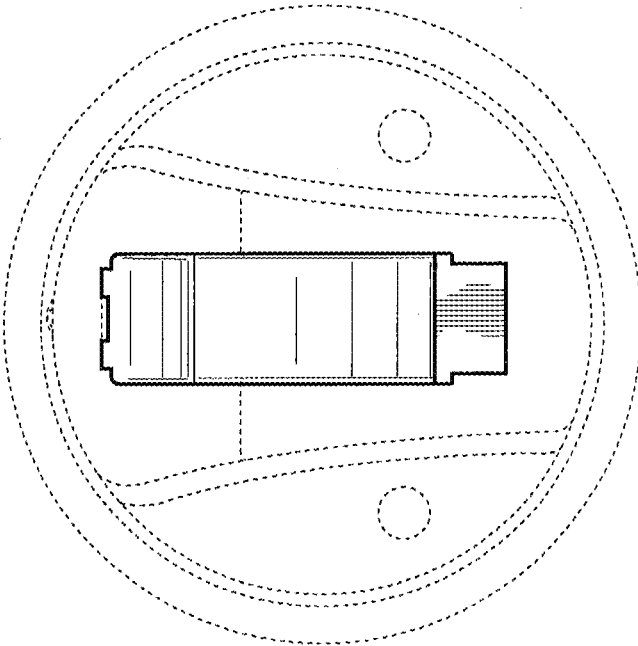


FIG. 12

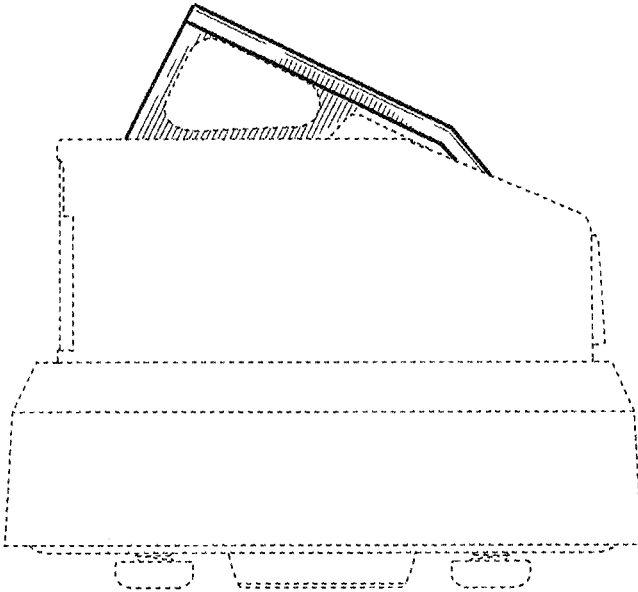


FIG. 13

FIG. 14

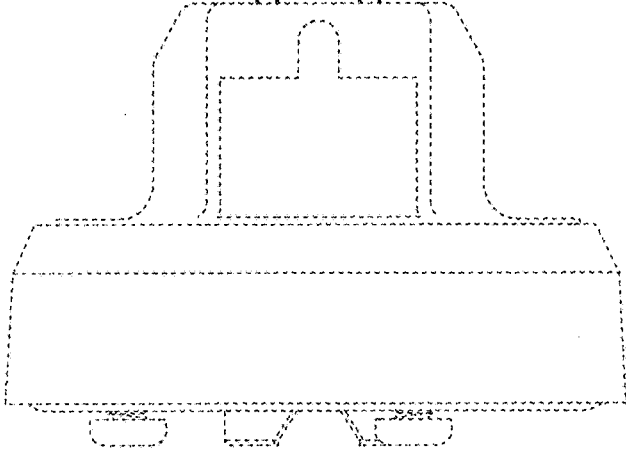
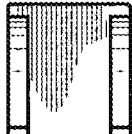
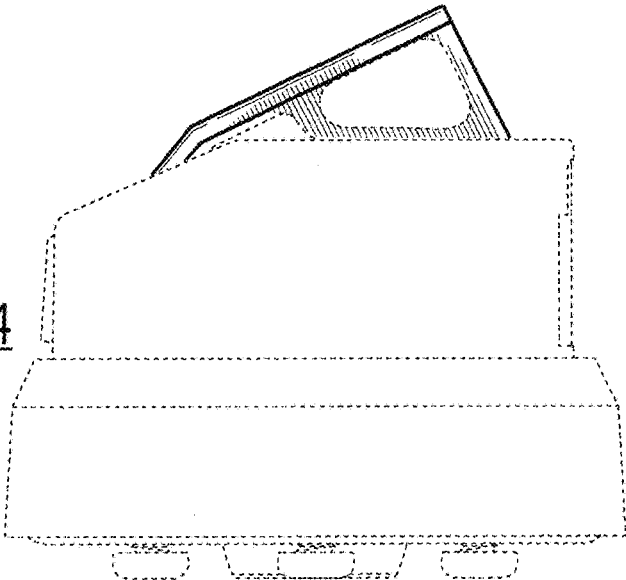


FIG. 15

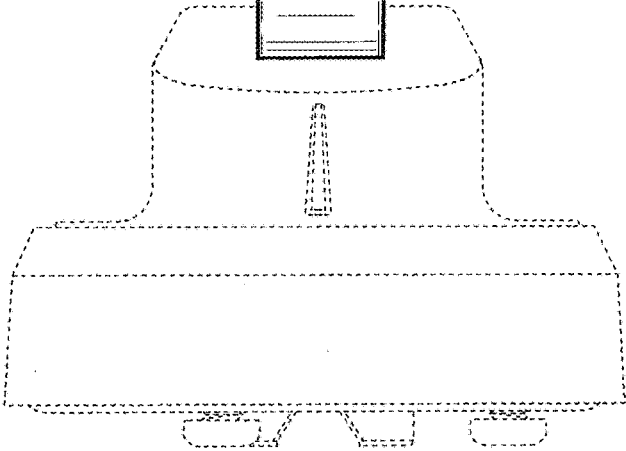


FIG. 16

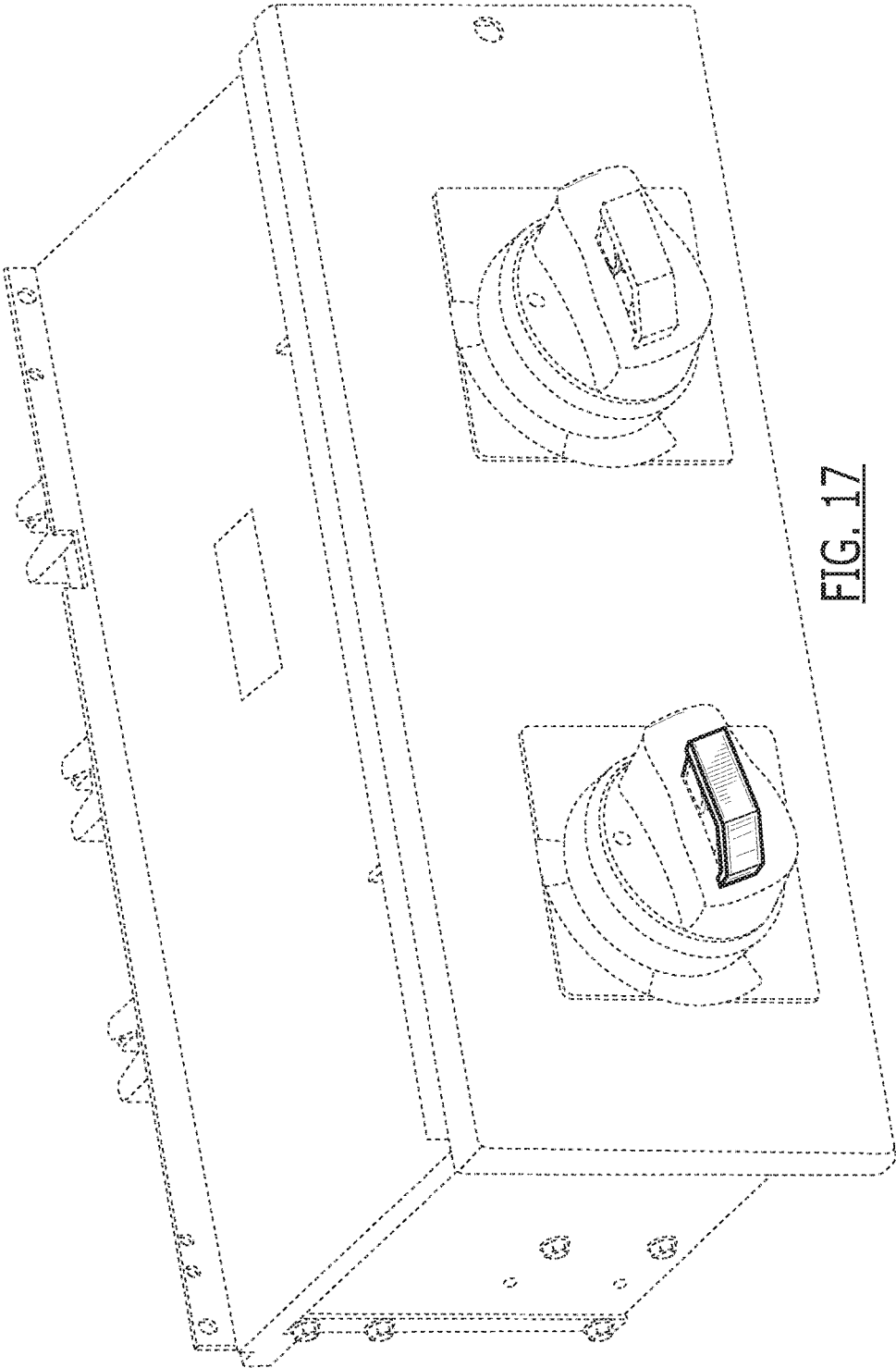


FIG. 17

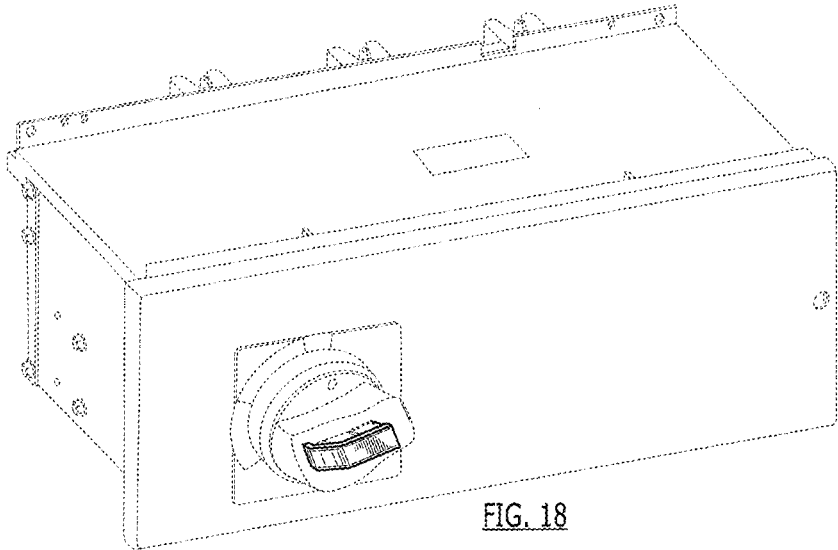


FIG. 18