

United States Patent [19]

Alvino

[11] Patent Number: Des. 280,765

[45] Date of Patent: ** Sep. 24, 1985

[54] DESIGN FOR INSPIRATORY MUSCLE TRAINER

[75] Inventor: Frank J. Alvino, N. Caldwell, N.J.

[73] Assignee: HealthScan Inc., Upper Montclair, N.J.

[**] Term: 14 Years

[21] Appl. No.: 439,302

[22] Filed: Nov. 4, 1982

[52] U.S. Cl. D24/62

[58] Field of Search D24/62, 51, 52, 54, D24/34, 8, 23; 128/200, 24, 725, 716., 207.16; 272/99 R; D46/179, 180, 181; D23/40, 45; D17/10

[56] References Cited

U.S. PATENT DOCUMENTS

D. 53,470 6/1919 Sorg et al. D'7/10
D. 170,930 11/1953 Long D17/10
D. 254,911 5/1980 Larson D17/10

3,903,884 9/1975 Huston et al. D24/62 X
3,949,737 4/1976 Nielson 272/99
4,221,381 9/1980 Ericson 272/99

Primary Examiner—A. Hugo Word

Attorney, Agent, or Firm—Brooks, Haidt, Haffner & Delahunty

[57] CLAIM

The ornamental design for an inspiratory muscle trainer, substantially as shown and described.

DESCRIPTION

FIG. 1 is a perspective view of an inspiratory muscle trainer showing my new design;
FIG. 2 is a top plan view thereof;
FIG. 3 is an end elevational view thereof as seen from the right of FIG. 2;
FIG. 4 is a side elevational view thereof;
FIG. 5 is an elevational view thereof as seen from the opposite end of FIG. 3;
FIG. 6 is a bottom plan view thereof.
The broken lines are shown for illustrative purposes only and form no part of the claimed design.

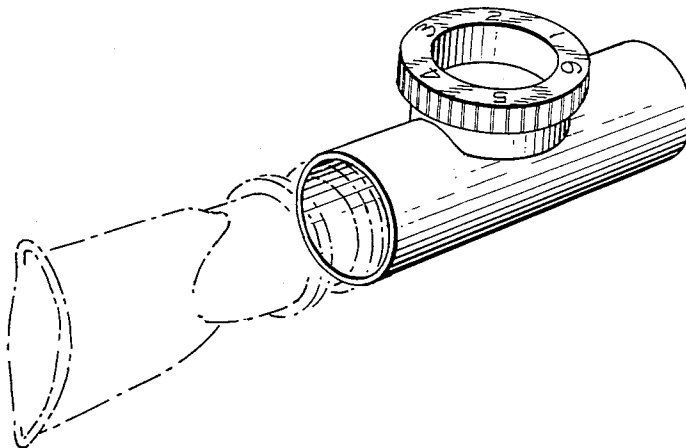


FIG. 1.

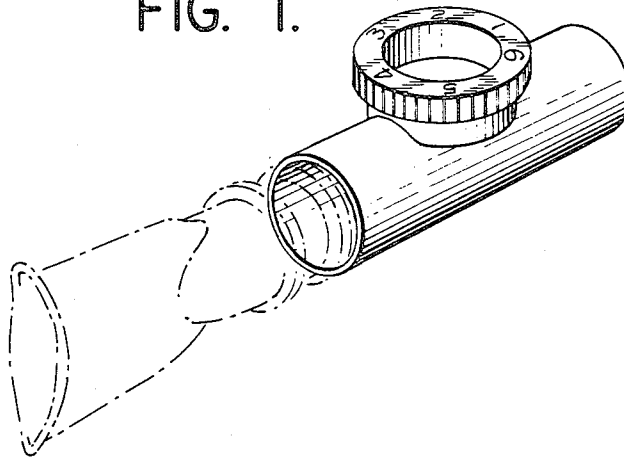


FIG. 2.

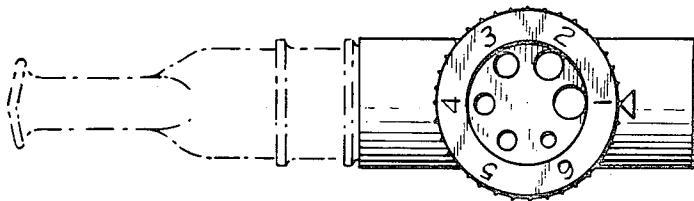


FIG. 3.

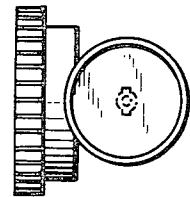


FIG. 4.

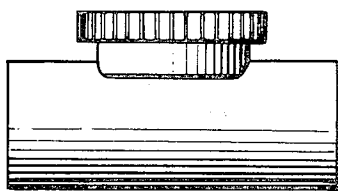


FIG. 5.

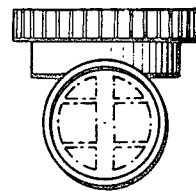


FIG. 6.

