



US00D407408S

United States Patent [19]
Hoff

[11] **Patent Number: Des. 407,408**
[45] **Date of Patent: **Mar. 30, 1999**

[54] **PHONE HOLDER**

[76] Inventor: **Thomas Hoff**, 270 Pawnee Ct., Girard,
Ohio 44420

[**] Term: **14 Years**

[21] Appl. No.: **90,546**

[22] Filed: **Jul. 10, 1998**

[51] **LOC (6) Cl.** **14-03**

[52] **U.S. Cl.** **D14/253**

[58] **Field of Search** D14/137, 138,
D14/148, 147, 149-151, 140-142, 240,
241, 251, 253; 379/433-436, 419, 420,
428, 440, 454, 455, 446, 447; D13/107,
108; D20/110, 113, 114, 115

[56] **References Cited**

U.S. PATENT DOCUMENTS

- D. 59,801 11/1921 Wise D14/253
- D. 289,898 5/1987 Miller 379/454 X
- D. 309,307 7/1990 Sigurdson D14/251

- D. 323,504 1/1992 Langton D14/253
- D. 341,836 11/1993 O'Connor D14/251
- D. 388,434 12/1997 Lepack D14/149
- 5,187,744 2/1993 Richter 379/455 X
- 5,392,350 2/1995 Swanson 379/446
- 5,745,565 4/1998 Wakefield 379/455 X

Primary Examiner—Jeffrey Asch
Attorney, Agent, or Firm—Harpman & Harpman

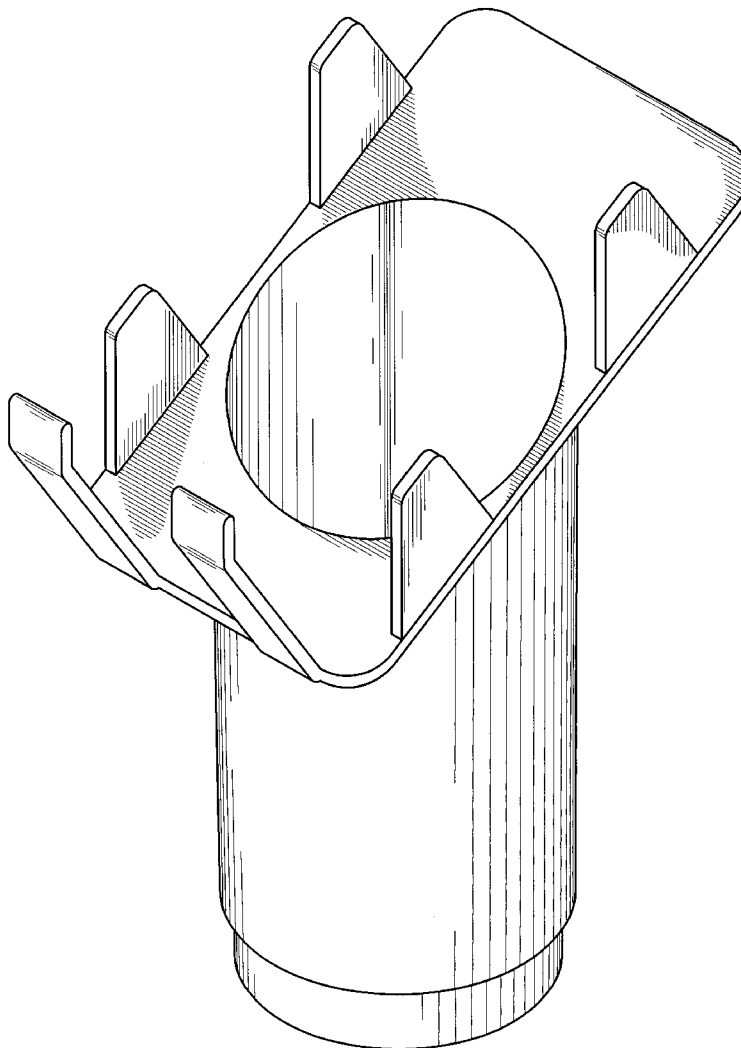
[57] **CLAIM**

The ornamental design for a phone holder, as shown and described.

DESCRIPTION

FIG. 1 is a perspective view thereof;
FIG. 2 is a front elevation thereof;
FIG. 3 is a rear elevation thereof;
FIG. 4 is a right side elevational view thereof; the left side elevation is a mirror image thereof;
FIG. 5 is a top plan view thereof; and,
FIG. 6 is a bottom plan view thereof.

1 Claim, 4 Drawing Sheets



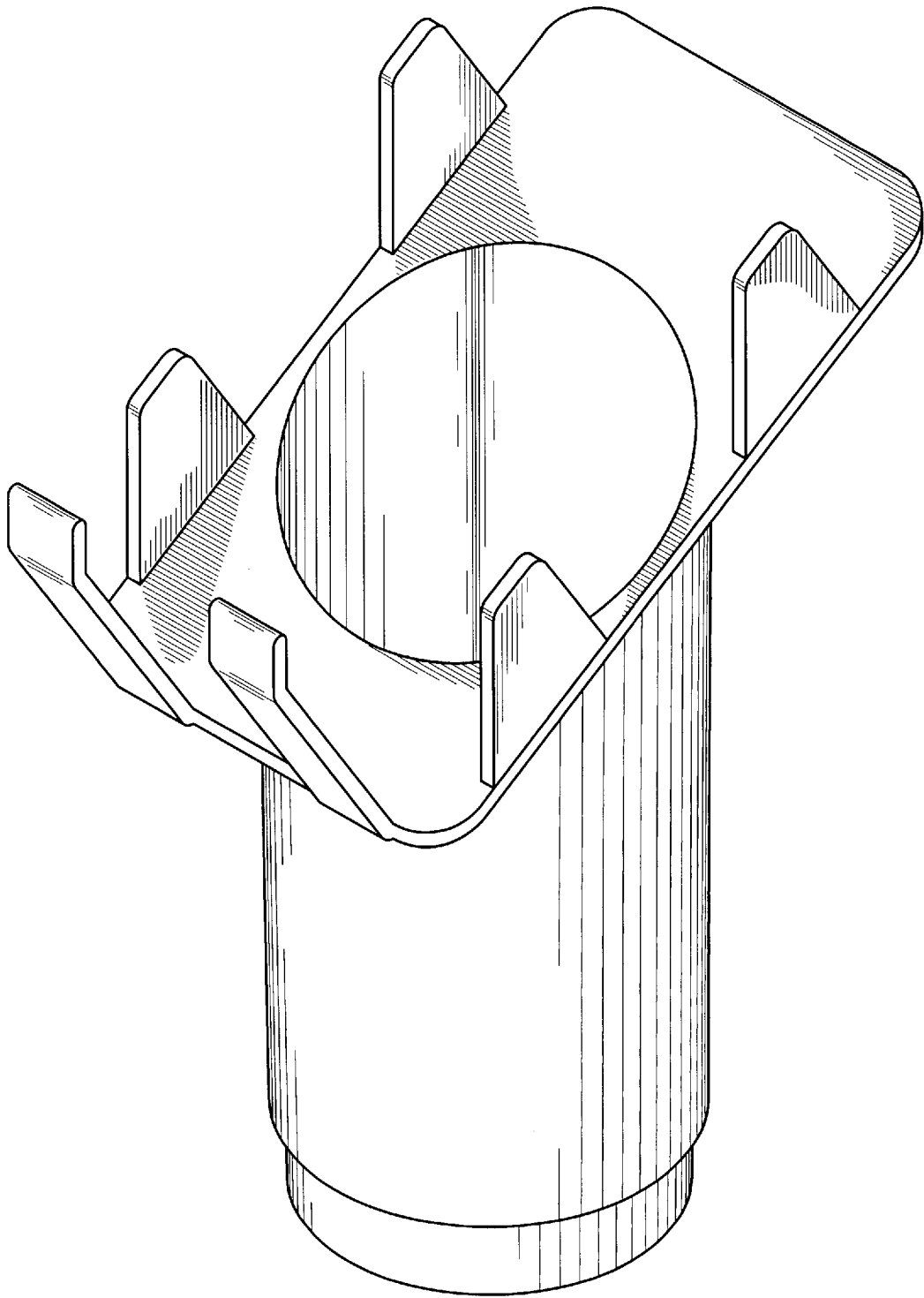


Fig. 1

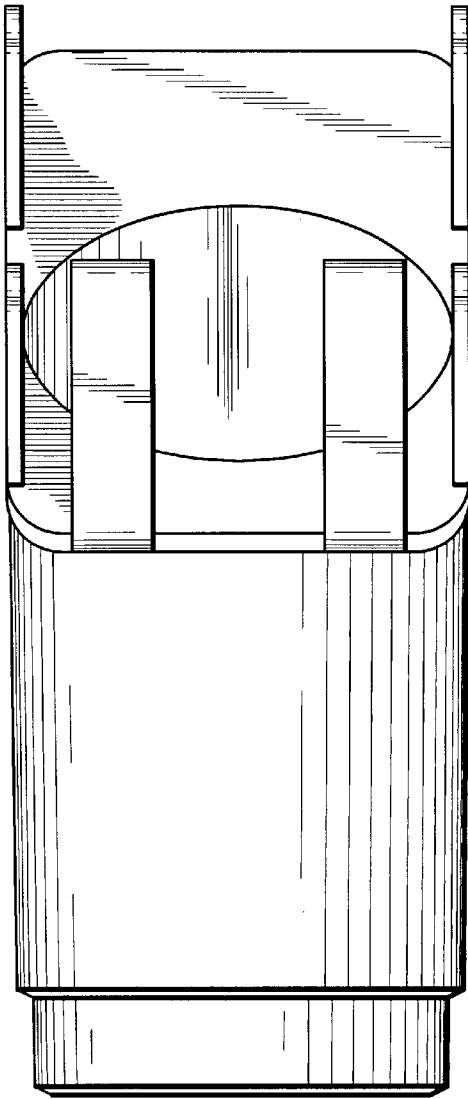


Fig. 2

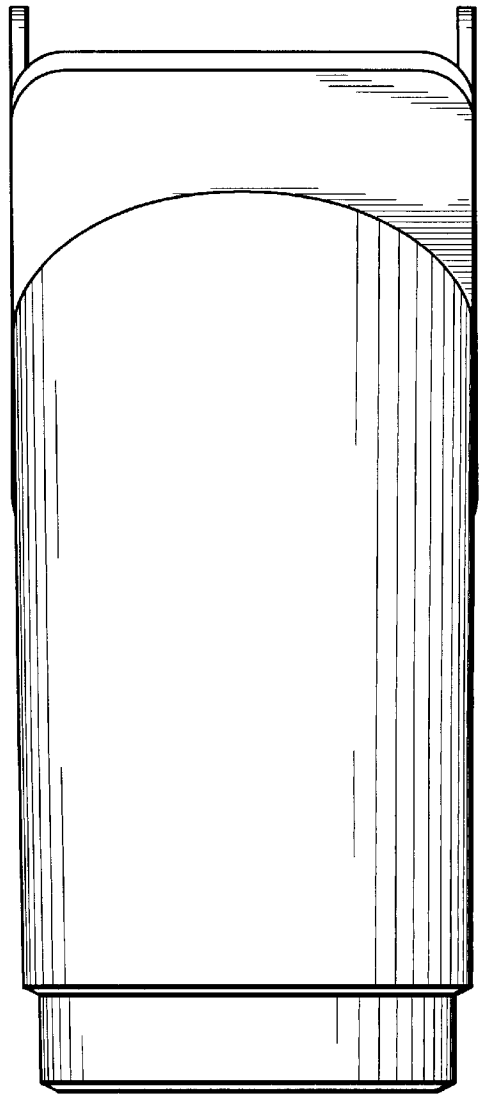


Fig. 3

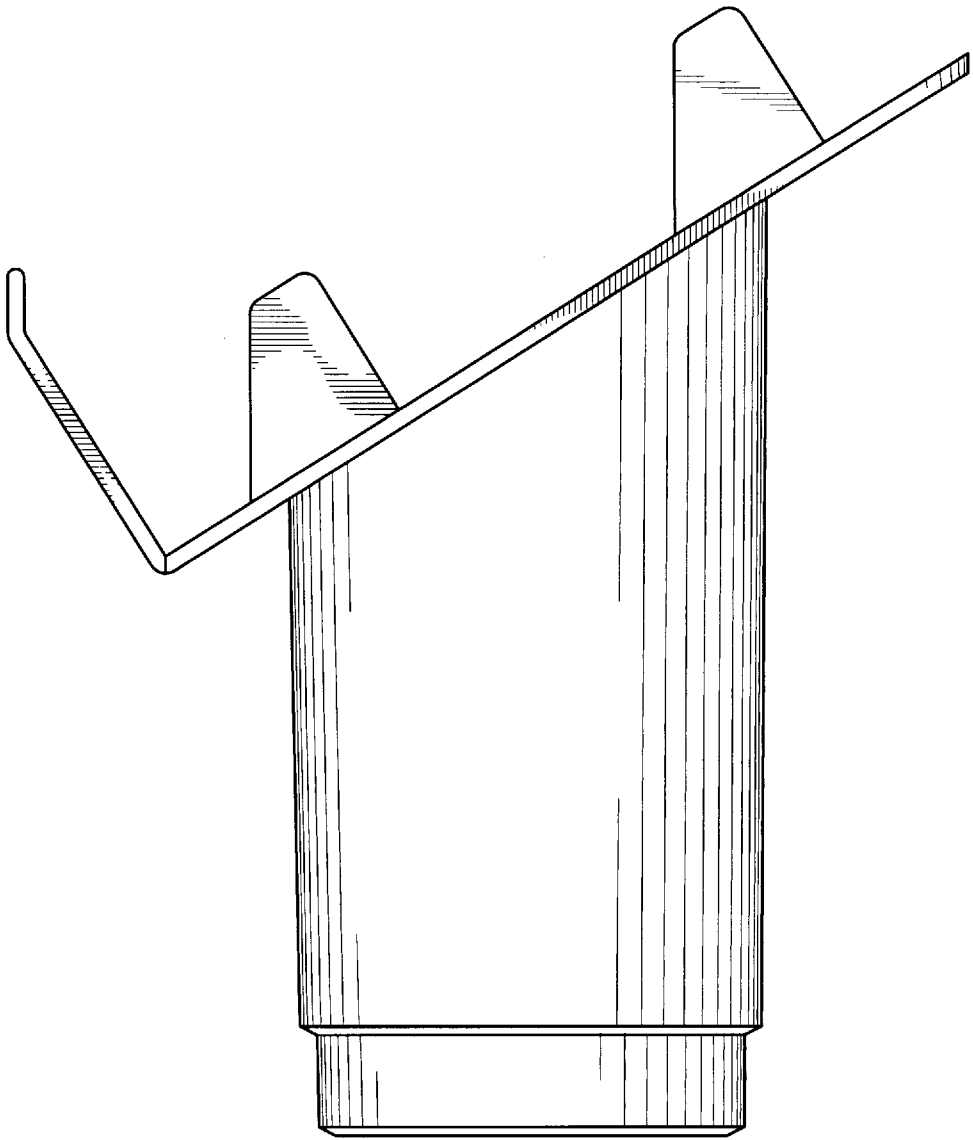


Fig. 4

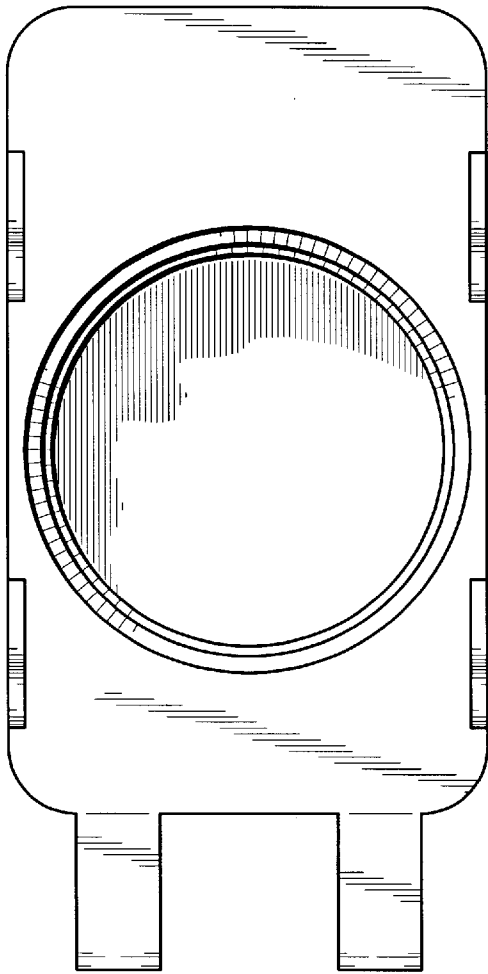


Fig. 5

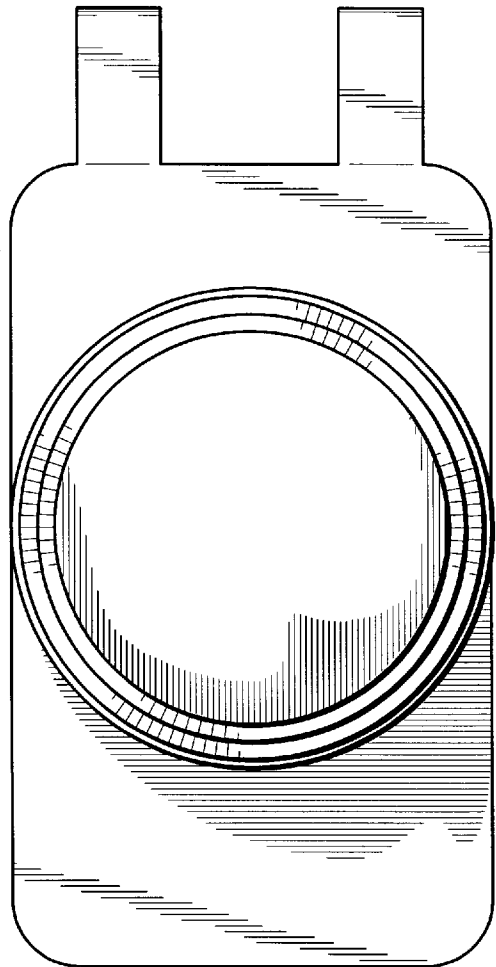


Fig. 6