



US00D735677S

(12) **United States Design Patent**  
**Hagarty**

(10) **Patent No.:** **US D735,677 S**  
(45) **Date of Patent:** **\*\* Aug. 4, 2015**

- (54) **JUNCTION BOX WITH CABLE MANAGEMENT**
- (71) Applicant: **RANDL Industries, Inc.**, Spokane Valley, WA (US)
- (72) Inventor: **Robert J. Hagarty**, Spokane, WA (US)
- (73) Assignee: **RANDL Industries, Inc.**, Spokane Valley, WA (US)
- (\*\*) Term: **14 Years**
- (21) Appl. No.: **29/514,291**
- (22) Filed: **Jan. 9, 2015**

- 6,858,802 B2 2/2005 Hagarty
- D539,751 S \* 4/2007 Kiely et al. .... D13/152
- D540,654 S 4/2007 Aubert Capella
- 7,271,336 B2 9/2007 Dinh
- D555,108 S 11/2007 Strong
- D595,659 S \* 7/2009 Maurer et al. .... D13/152
- D601,096 S \* 9/2009 Vigorito et al. .... D13/152
- 8,253,040 B2 8/2012 Hopkins

(Continued)

**OTHER PUBLICATIONS**

Hagarty, R.J., "Plaster Ring," U.S. Appl. No. 29/447,297, filed Mar. 1, 2013.

(Continued)

*Primary Examiner* — Holly Baynham  
*Assistant Examiner* — Rhea Shields

(74) *Attorney, Agent, or Firm* — Christensen O'Connor Johnson Kindness PLLC

**Related U.S. Application Data**

- (62) Division of application No. 29/486,897, filed on Apr. 3, 2014, now Pat. No. Des. 722,977.
- (51) **LOC (10) CL.** ..... **13-03**
- (52) **U.S. CL.** ..... **D13/152**  
USPC .....
- (58) **Field of Classification Search**  
USPC ..... D13/152, 153, 155, 156, 137.1, 137.4,  
D13/139.3, 139.2, 133, 184; 220/3.2, 3.3,  
220/3.4-3.9, 3.92, 3.94; 174/58, 50.56, 51;  
439/675, 668, 623

See application file for complete search history.

**References Cited**

**U.S. PATENT DOCUMENTS**

- 3,023,920 A \* 3/1962 Cook et al. .... 220/3.6
- 4,790,505 A 12/1988 Rose
- D342,938 S 1/1994 Cheatham
- D379,622 S 6/1997 Lynn
- 6,066,803 A 5/2000 Hagarty
- 6,103,972 A 8/2000 Hagarty
- 6,379,166 B1 4/2002 Hagarty
- 6,384,334 B1 5/2002 Webb
- D468,697 S \* 1/2003 Straub, Jr. .... D13/152
- D493,695 S 8/2004 Wengrower

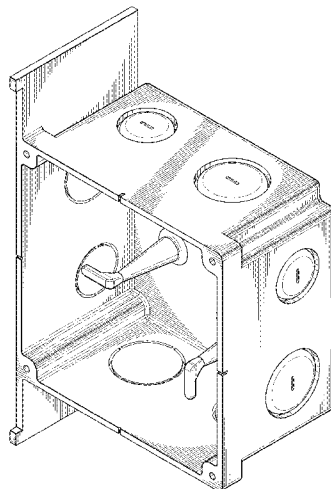
(57) **CLAIM**

The ornamental design for a junction box with cable management, as shown.

**DESCRIPTION**

FIG. 1 is a perspective view of a junction box with cable management in accordance with the present design;  
 FIG. 2 is a front view of the junction box with cable management shown in FIG. 1;  
 FIG. 3 is a rear view of the junction box with cable management shown in FIG. 1;  
 FIG. 4 is a plan view of the junction box with cable management shown in FIG. 1;  
 FIG. 5 is a bottom view of the junction box with cable management shown in FIG. 1;  
 FIG. 6 is a left side view of the junction box with cable management shown in FIG. 1; and,  
 FIG. 7 is a right side view of the junction box with cable management shown in FIG. 1.

**1 Claim, 6 Drawing Sheets**



(56)

**References Cited**

D707,635 S 6/2014 Hagarty  
D719,528 S 12/2014 Hagarty

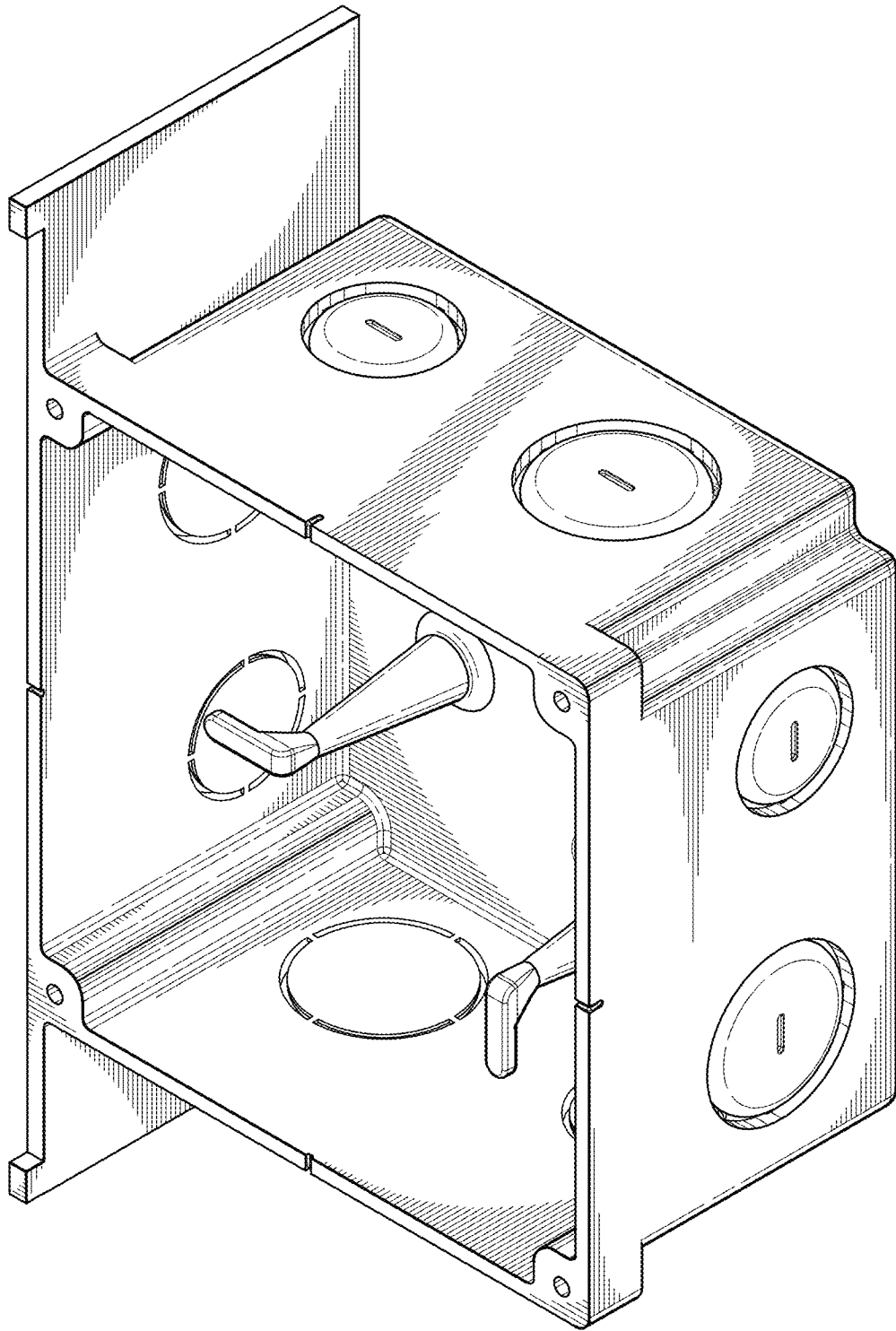
U.S. PATENT DOCUMENTS

D676,814 S \* 2/2013 Paul ..... D13/152  
D677,634 S \* 3/2013 Korcz et al. .... D13/152  
D679,252 S \* 4/2013 Wagner et al. .... D13/152  
D684,935 S \* 6/2013 DeCosta ..... D13/152  
D698,737 S 2/2014 Hagarty  
D702,198 S \* 4/2014 Gretz ..... D13/184

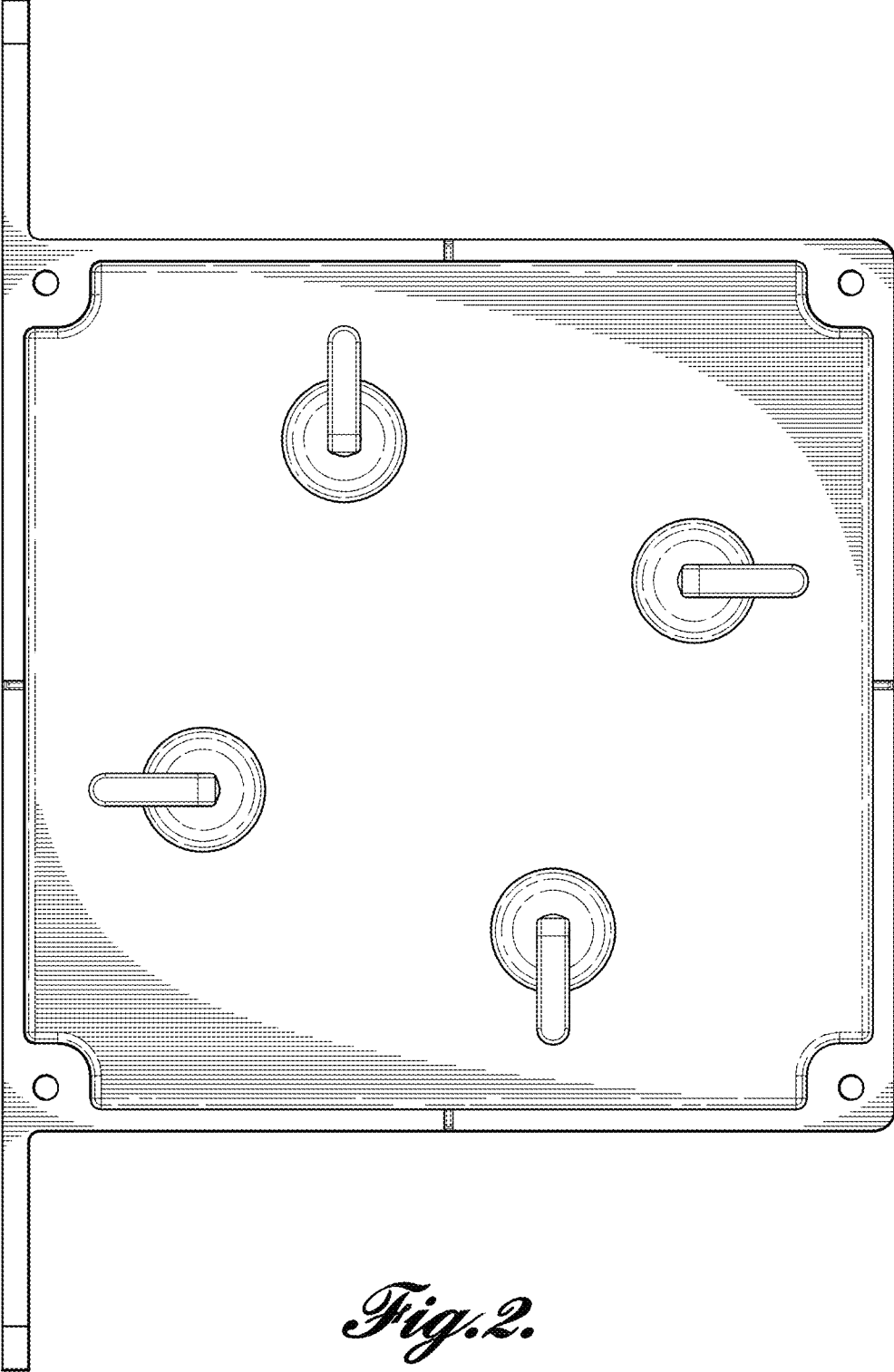
OTHER PUBLICATIONS

Hagarty, R.J., "Plaster Ring With Wide Flange," U.S. Appl. No. 29/471,962, filed Nov. 6, 2013.

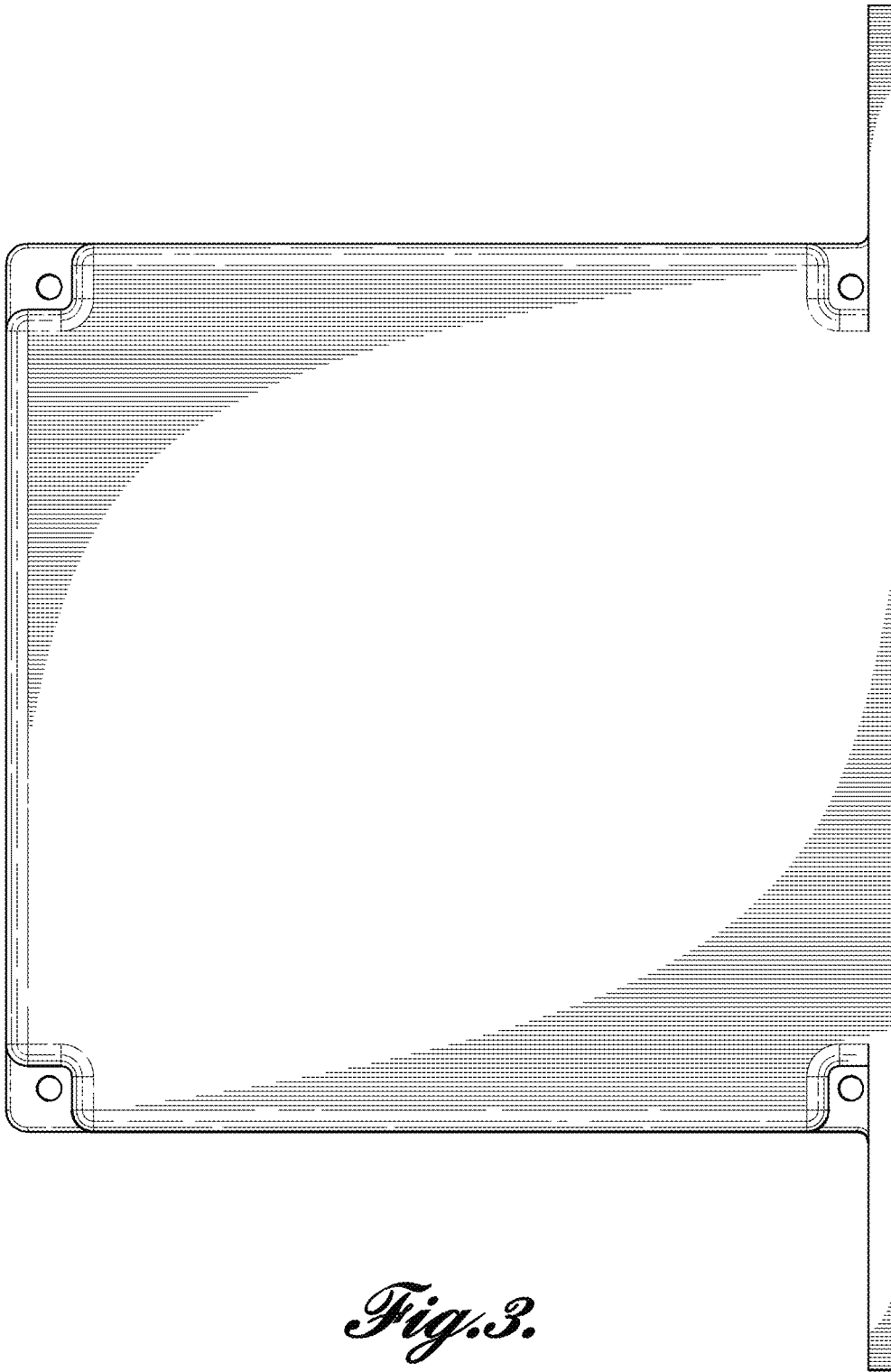
\* cited by examiner



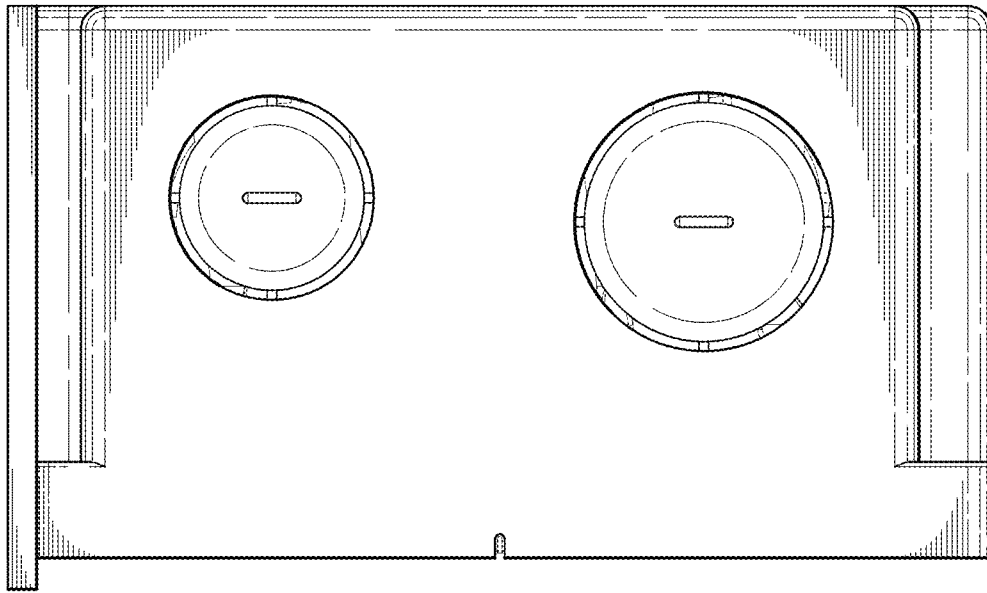
*Fig. 1.*



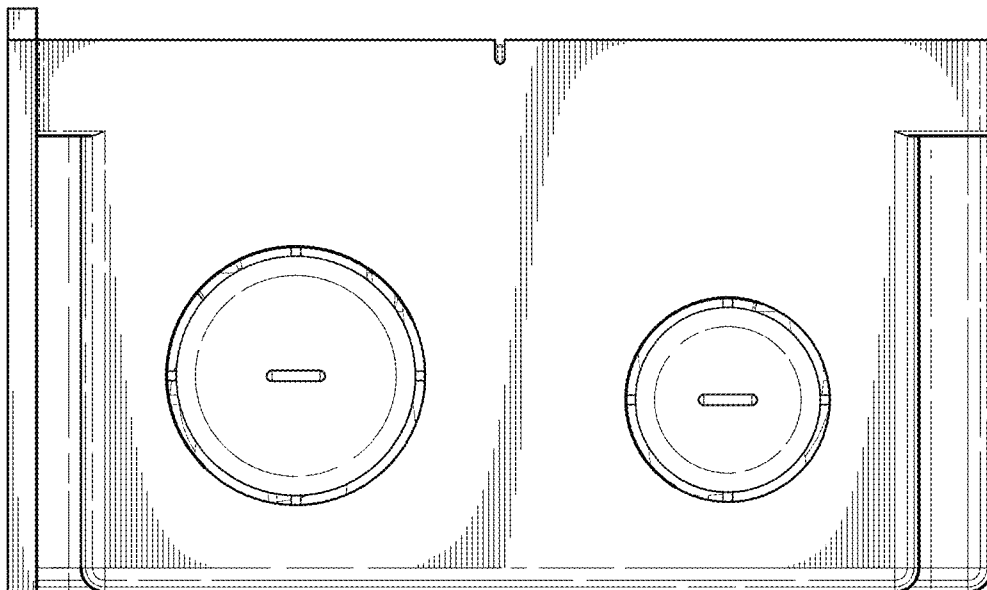
*Fig. 2.*



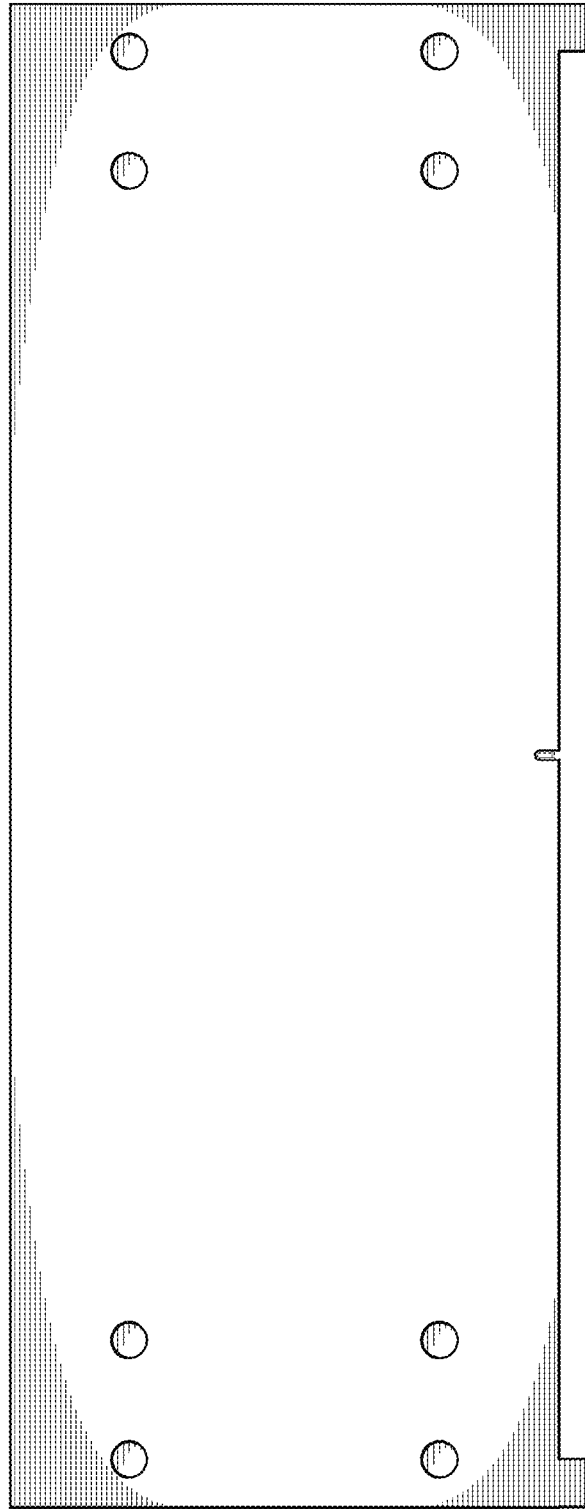
*Fig. 3.*



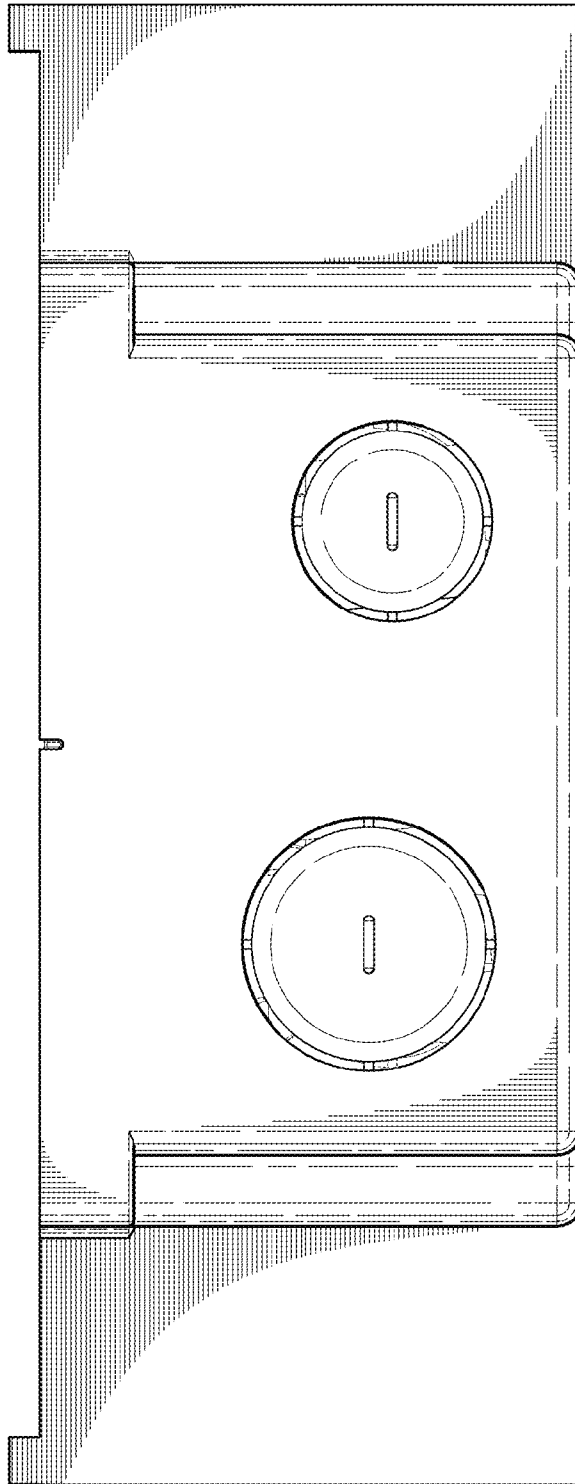
*Fig. 4.*



*Fig. 5.*



*Fig. 6.*



*Fig. 7.*