



US00D728867S

(12) **United States Design Patent**  
**Ruetenik**

(10) **Patent No.:** **US D728,867 S**

(45) **Date of Patent:** **\*\* \*May 5, 2015**

- (54) **EQUINE BOOT SOLE PLATE**
- (71) Applicant: **Monty L. Ruetenik**, Clear Lake Shores, TX (US)
- (72) Inventor: **Monty L. Ruetenik**, Clear Lake Shores, TX (US)
- (\* ) Notice: This patent is subject to a terminal disclaimer.

|              |    |   |         |                |       |         |
|--------------|----|---|---------|----------------|-------|---------|
| D603,108     | S  | * | 10/2009 | Lander         | ..... | D30/149 |
| D616,614     | S  | * | 5/2010  | Ruetenik       | ..... | D30/147 |
| D629,166     | S  | * | 12/2010 | Lander         | ..... | D30/149 |
| D629,573     | S  | * | 12/2010 | Lander         | ..... | D30/146 |
| 2005/0000699 | A1 | * | 1/2005  | Rafeld         | ..... | 168/12  |
| 2007/0125555 | A1 | * | 6/2007  | Puhl           | ..... | 168/28  |
| 2009/0032270 | A1 | * | 2/2009  | Ruetenik       | ..... | 168/28  |
| 2011/0067366 | A1 | * | 3/2011  | Ruetenik       | ..... | 54/82   |
| 2012/0279184 | A1 | * | 11/2012 | Ruetenik       | ..... | 54/82   |
| 2014/0007548 | A1 | * | 1/2014  | Revheim et al. | ..... | 54/82   |
| 2014/0033661 | A1 | * | 2/2014  | Ruetenik       | ..... | 54/82   |

(\*\*) Term: **14 Years**

\* cited by examiner

(21) Appl. No.: **29/454,564**

*Primary Examiner* — Eric Goodman

*Assistant Examiner* — Jennifer Watkins

(22) Filed: **May 10, 2013**

(74) *Attorney, Agent, or Firm* — Douglas Baldwin

(51) **LOC (10) Cl.** ..... **30-01**

(52) **U.S. Cl.**

USPC ..... **D30/147**

(58) **Field of Classification Search**

CPC ..... A01K 3/007; A01K 13/006; A01L 7/02;  
A01L 5/00; A01L 15/00; A01L 7/00; A01L  
3/00; A61D 9/00; A43B 7/142; A43B 7/144;  
A43B 7/141

USPC ..... D30/146-150; 119/814, 850; 54/82;  
168/1-3, 11-18, 22, 26, 27

See application file for complete search history.

(56) **References Cited**

**U.S. PATENT DOCUMENTS**

|          |   |   |         |          |       |         |
|----------|---|---|---------|----------|-------|---------|
| D565,256 | S | * | 3/2008  | Ruetenik | ..... | D30/147 |
| D580,111 | S | * | 11/2008 | Lander   | ..... | D30/146 |

(57) **CLAIM**

The ornamental design for an equine boot sole plate, as shown and described.

**DESCRIPTION**

FIG. 1 is bottom perspective view of an equine boot sole plate showing my new design;

FIG. 2 is a left side view thereof;

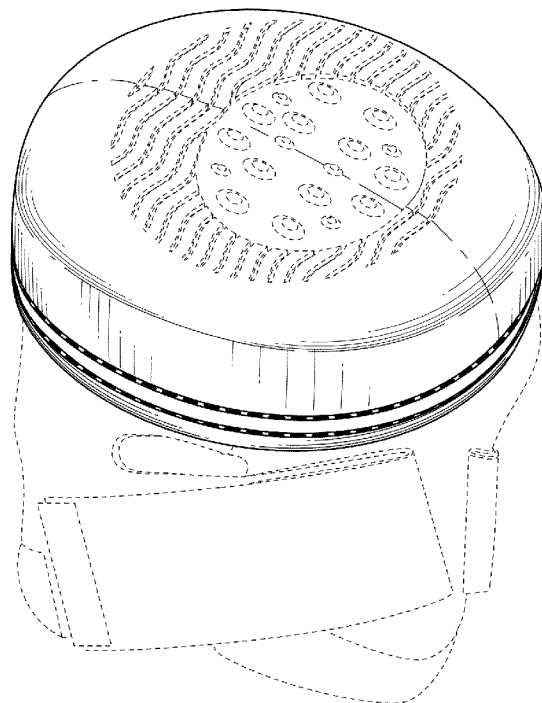
FIG. 3 is a right side view thereof;

FIG. 4 is a front view thereof; and,

FIG. 5 is a rear view thereof.

The broken lines illustrate portions of an equine boot which form no part of the claimed design.

**1 Claim, 3 Drawing Sheets**



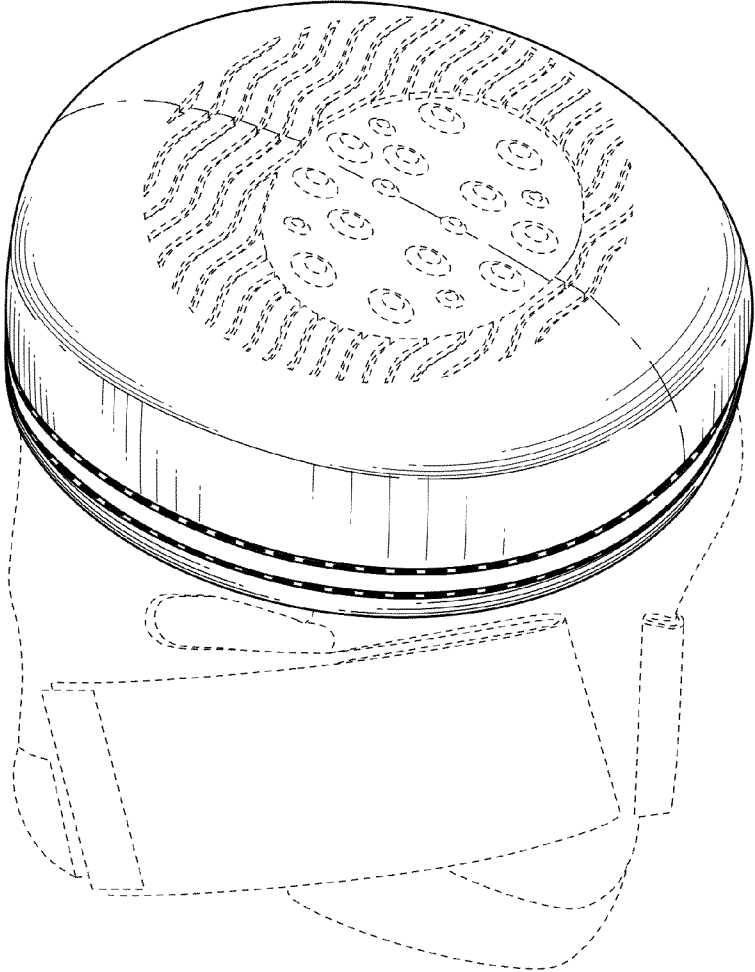


FIG. 1

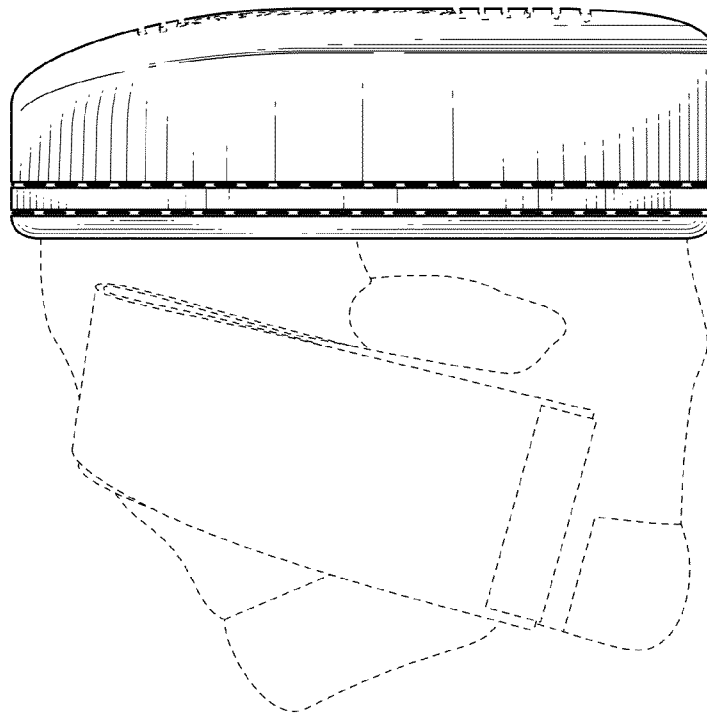


FIG. 2

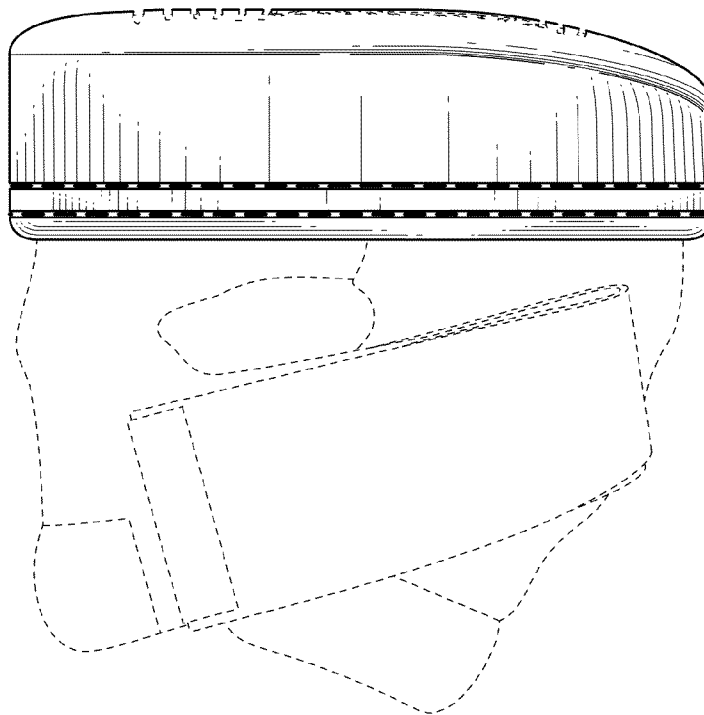


FIG. 3

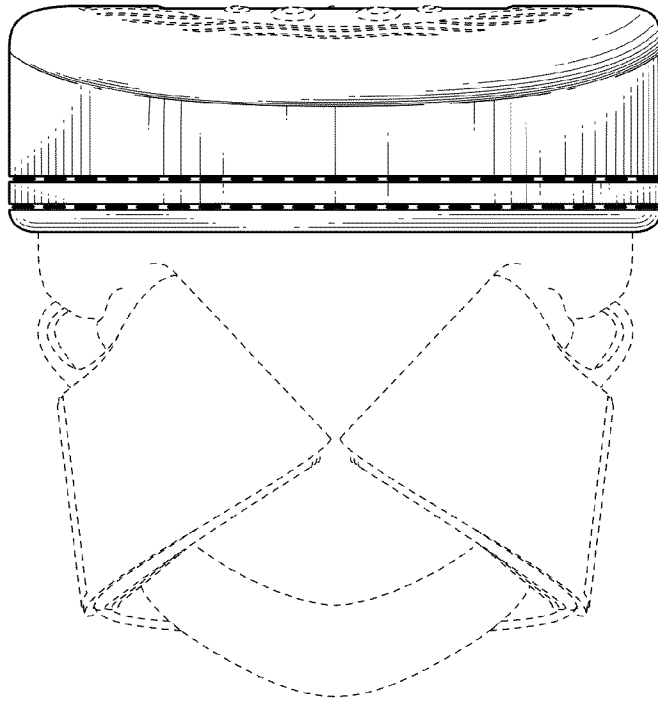


FIG. 4

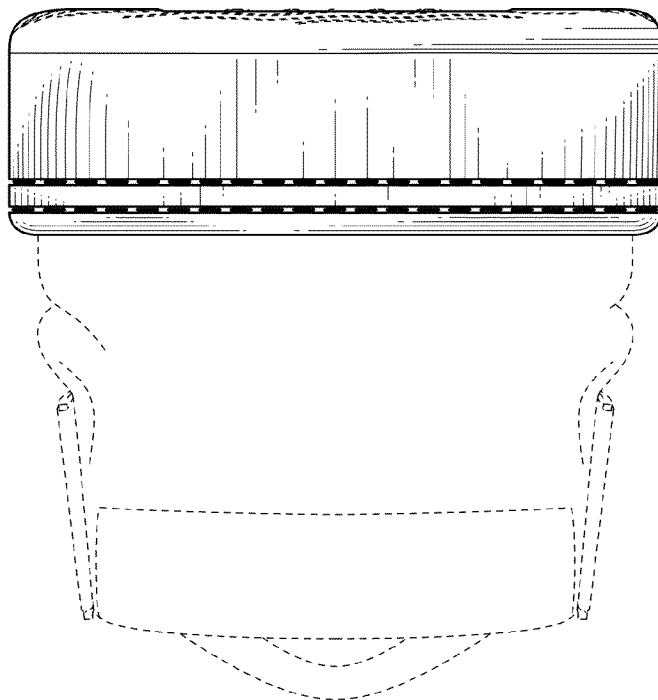


FIG. 5