

(19) World Intellectual Property Organization  
International Bureau



(43) International Publication Date  
20 February 2003 (20.02.2003)

PCT

(10) International Publication Number  
WO 03/015332 A3

- (51) International Patent Classification<sup>7</sup>: G06F 13/00
- (21) International Application Number: PCT/US02/23531
- (22) International Filing Date: 24 July 2002 (24.07.2002)
- (25) Filing Language: English
- (26) Publication Language: English
- (30) Priority Data:  
09/682,209 6 August 2001 (06.08.2001) US
- (71) Applicant: LETHAND NETWORKS, INC. [US/US];  
1688 Conestoga, Boulder, CO 80301 (US).
- (72) Inventors: SPIERS, John; 602 Fairfield Lane, Louisville,  
CO 80027 (US). LONG, Kelly; 700 Ken Pratt Boulevard,  
#204-351, Longmont, CO 80501 (US). SOBOLEWSKI,  
Sebastian; 1641 Sunset Street, Longmont, CO 80501  
(US). KEHN, Donald; 1890 Norwood Avenue, Boulder,  
CO 80304 (US).

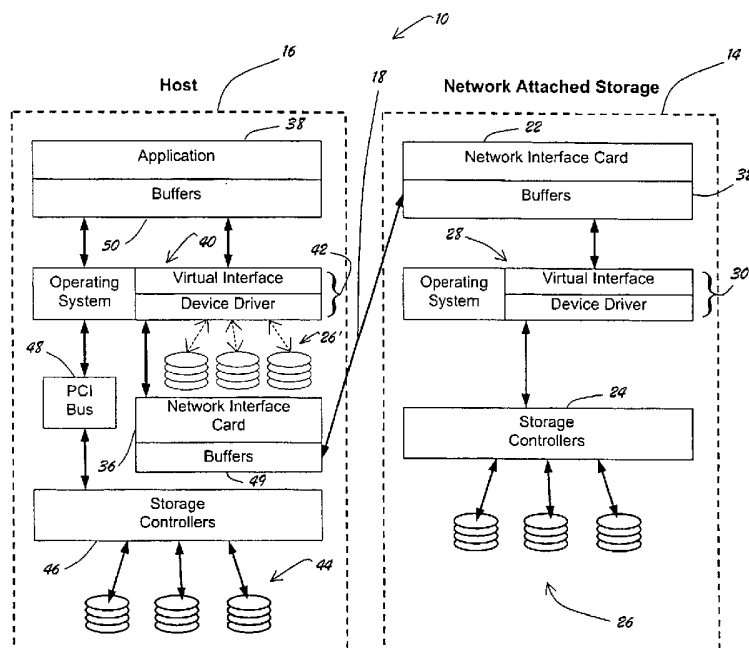
- (81) Designated States (national): AE, AG, AL, AM, AT, AU, AZ, BA, BB, BG, BR, BY, BZ, CA, CH, CN, CO, CR, CU, CZ, DE, DK, DM, DZ, EC, EE, ES, FI, GB, GD, GE, GH, GM, HR, HU, ID, IL, IN, IS, JP, KE, KG, KP, KR, KZ, LC, LK, LR, LS, LT, LU, LV, MA, MD, MG, MK, MN, MW, MX, MZ, NO, NZ, OM, PH, PL, PT, RO, RU, SD, SE, SG, SI, SK, SL, TJ, TM, TN, TR, TT, TZ, UA, UG, UZ, VN, YU, ZA, ZM, ZW.
- (84) Designated States (regional): ARIPO patent (GH, GM, KE, LS, MW, MZ, SD, SL, SZ, TZ, UG, ZM, ZW), Eurasian patent (AM, AZ, BY, KG, KZ, MD, RU, TJ, TM), European patent (AT, BE, BG, CH, CY, CZ, DE, DK, EE, ES, FI, FR, GB, GR, IE, IT, LU, MC, NL, PT, SE, SK, TR), OAPI patent (BF, BJ, CF, CG, CI, CM, GA, GN, GQ, GW, ML, MR, NE, SN, TD, TG).

Published:  
— with international search report

(88) Date of publication of the international search report:  
4 December 2003

For two-letter codes and other abbreviations, refer to the "Guidance Notes on Codes and Abbreviations" appearing at the beginning of each regular issue of the PCT Gazette.

(54) Title: BLOCK DATA STORAGE WITHIN A COMPUTER NETWORK



(57) Abstract: The present invention provides the ability to transfer data between an initiating computer system and a target computer system with a block data storage device (26), where the target computer system is remote relative to the initiating computer system, that is interface independent relative to the type of the block data storage device (26) employed. In one embodiment, a virtual device driver is employed that implements a command set that is interface independent relative to the block data storage device (26).



WO 03/015332 A3

**INTERNATIONAL SEARCH REPORT**

International application No.

PCT/US02/23531

<b>A. CLASSIFICATION OF SUBJECT MATTER</b>		
IPC(7) : G06F 13/00		
US CL : 709/200, 236, 230; 711/100		
According to International Patent Classification (IPC) or to both national classification and IPC		
<b>B. FIELDS SEARCHED</b>		
Minimum documentation searched (classification system followed by classification symbols) U.S. : 709/200, 236, 230; 711/100		
Documentation searched other than minimum documentation to the extent that such documents are included in the fields searched		
Electronic data base consulted during the international search (name of data base and, where practicable, search terms used) WEST: USPT		
<b>C. DOCUMENTS CONSIDERED TO BE RELEVANT</b>		
Category *	Citation of document, with indication, where appropriate, of the relevant passages	Relevant to claim No.
A,E	US 6,493,804 B1 (SOLTIS et al.) 10 December 2002 (10.12.2002)	1-20
<input type="checkbox"/> Further documents are listed in the continuation of Box C. <input type="checkbox"/> See patent family annex.		
* Special categories of cited documents:		
"A"	document defining the general state of the art which is not considered to be of particular relevance	"T" later document published after the international filing date or priority date and not in conflict with the application but cited to understand the principle or theory underlying the invention
"E"	earlier application or patent published on or after the international filing date	"X" document of particular relevance; the claimed invention cannot be considered novel or cannot be considered to involve an inventive step when the document is taken alone
"L"	document which may throw doubts on priority claim(s) or which is cited to establish the publication date of another citation or other special reason (as specified)	"Y" document of particular relevance; the claimed invention cannot be considered to involve an inventive step when the document is combined with one or more other such documents, such combination being obvious to a person skilled in the art
"O"	document referring to an oral disclosure, use, exhibition or other means	"&" document member of the same patent family
"P"	document published prior to the international filing date but later than the priority date claimed	
Date of the actual completion of the international search 23 January 2003 (23.01.2003)		Date of mailing of the international search report <b>13 FEB 2003</b>
Name and mailing address of the ISA/US Commissioner of Patents and Trademarks Box PCT Washington, D.C. 20231 Facsimile No. (703)305-3230		Authorized officer Meng A An <i>James R. Matthews</i> Telephone No. 703 305-9700