



US0D1069493S

(12) **United States Design Patent**
Kim et al.

(10) **Patent No.:** **US D1,069,493 S**
(45) **Date of Patent:** **** Apr. 8, 2025**

- (54) **CONTAINER LID**
- (71) Applicant: **Comotomo 2022 Inc.**, Sunnyvale, CA (US)
- (72) Inventors: **Sang-Pyo Kim**, Los Altos, CA (US);
Yong Hyun Kyung, Incheon (KR)
- (73) Assignee: **Comotomo 2022 Inc.**, Sunnyvale, CA (US)
- (**) Term: **15 Years**
- (21) Appl. No.: **29/876,784**
- (22) Filed: **May 28, 2023**
- (51) **LOC (15) Cl.** **07-02**
- (52) **U.S. Cl.**
USPC **D7/392.1**
- (58) **Field of Classification Search**
USPC D7/300.1, 608, 509, 511, 510, 523, 591,
D7/597, 598, 543, 396.1, 396.2, 300, 605,
D7/387, 391, 392.1, 392, 397; D9/432,
D9/434, 435, 443
CPC .. A47G 19/22; A47G 19/228; A47G 19/2216;
A47G 19/2222; A47G 19/2205; A47G
19/2266; A47G 19/2272; A47G 23/0241;
A45F 3/16; A45F 3/18; A47J 43/02; A47J
43/27; A47J 36/14; A47J 31/4407; B65D
41/02; B65D 41/04; B65D 41/06; B65D
41/26; B65D 41/056; B65D 41/0414;
B65D 43/00; B65D 43/02; B65D 51/18;
B65D 23/102; B65D 1/06
See application file for complete search history.

D563,785 S *	3/2008	Maki	D9/454
D606,368 S *	12/2009	Wu	D7/629
D730,727 S *	6/2015	Chen	D9/500
D756,222 S *	5/2016	Lopez	D9/434
D759,483 S *	6/2016	Jalet	D9/443
D858,180 S *	9/2019	Liu	D7/392.1
D1,015,073 S *	2/2024	Watanabe	D7/510
2010/0012659 A1*	1/2010	Holcomb	B65D 47/261 220/501
2011/0049172 A1*	3/2011	Shemesh	B65D 51/007 220/729
2012/0205384 A1*	8/2012	Savenok	B65D 47/06 220/592.17
2016/0376070 A1*	12/2016	Stodd	B65D 43/0202 220/359.1
2018/0044072 A1*	2/2018	Asakawa	B65D 41/0414
2018/0242710 A1*	8/2018	Ki	A45D 33/24
2019/0241330 A1*	8/2019	Stoneberg	B65D 50/043
2021/0386227 A1*	12/2021	Fadden	A47G 19/2266
2021/0394975 A1*	12/2021	Jung	B65D 47/06

(Continued)

Primary Examiner — Andrew Kerr
Assistant Examiner — Courtney J Clark-Rasheed
(74) *Attorney, Agent, or Firm* — WTA Patents

(57) **CLAIM**

The ornamental design for a container lid, as shown and described.

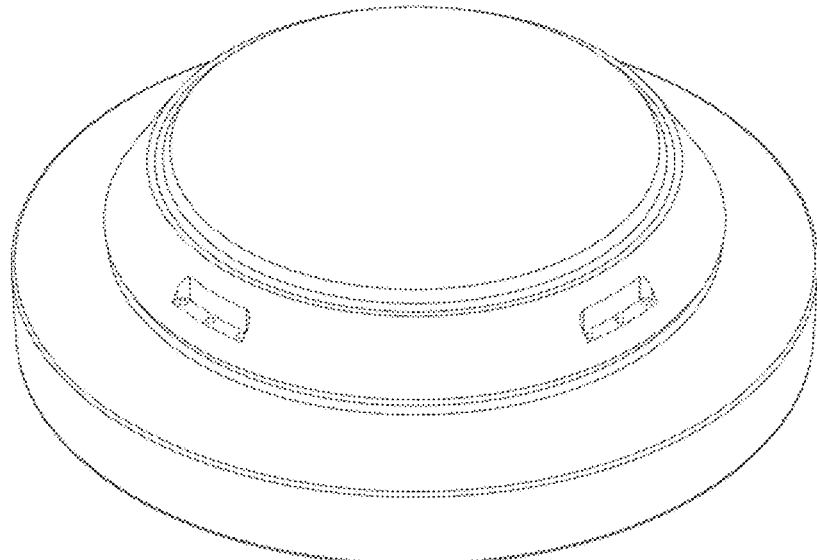
DESCRIPTION

FIG. 1 is a perspective view of a container lid, showing my new design.
FIG. 2 is a front view thereof;
FIG. 3 is a rear view thereof;
FIG. 4 is a left side view thereof;
FIG. 5 is a right side view thereof;
FIG. 6 is a top view thereof; and,
FIG. 7 is a bottom view thereof.
The portions shown in broken lines in the figure form no part of the claimed design.

1 Claim, 5 Drawing Sheets

(56) **References Cited**
U.S. PATENT DOCUMENTS

D327,648 S *	7/1992	Cane	D9/435
D416,171 S *	11/1999	Cautereels	D7/392.1
D479,997 S *	9/2003	Ekkert	D9/454



(56)

References Cited

U.S. PATENT DOCUMENTS

2023/0264866 A1* 8/2023 Unger B65D 41/02
220/796
2024/0002128 A1* 1/2024 Kim B65D 43/0233

* cited by examiner

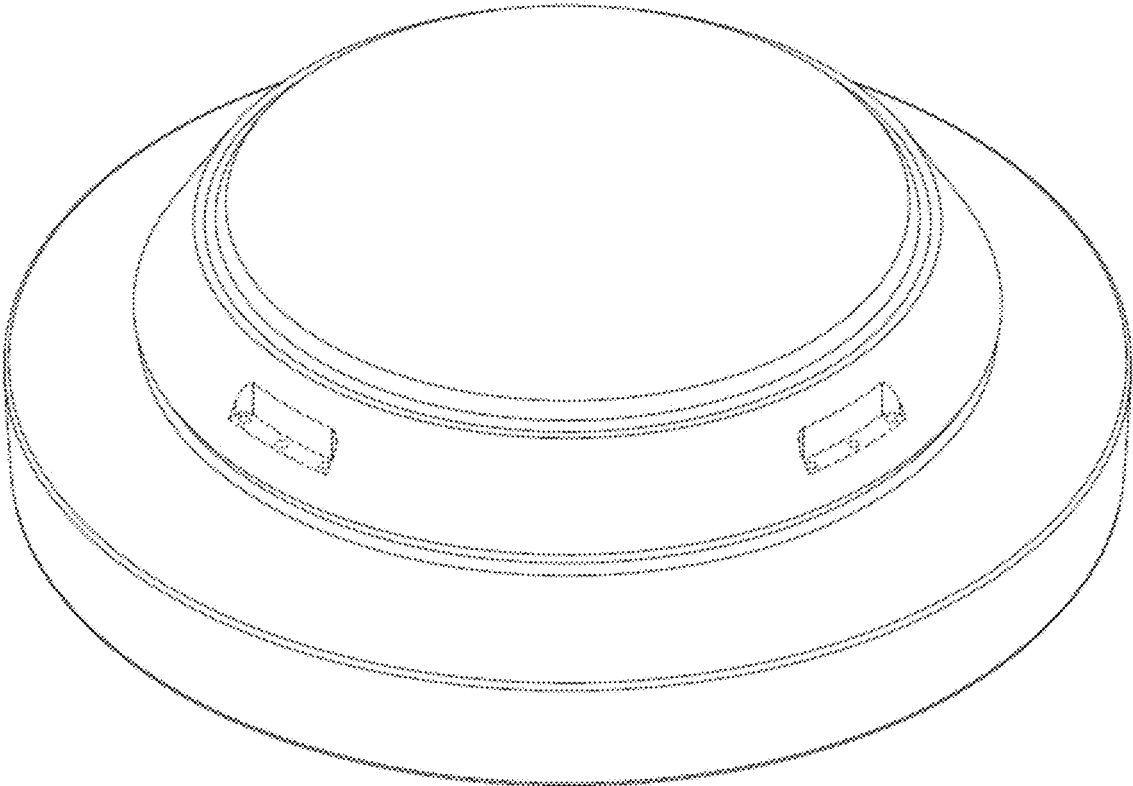


FIG. 1

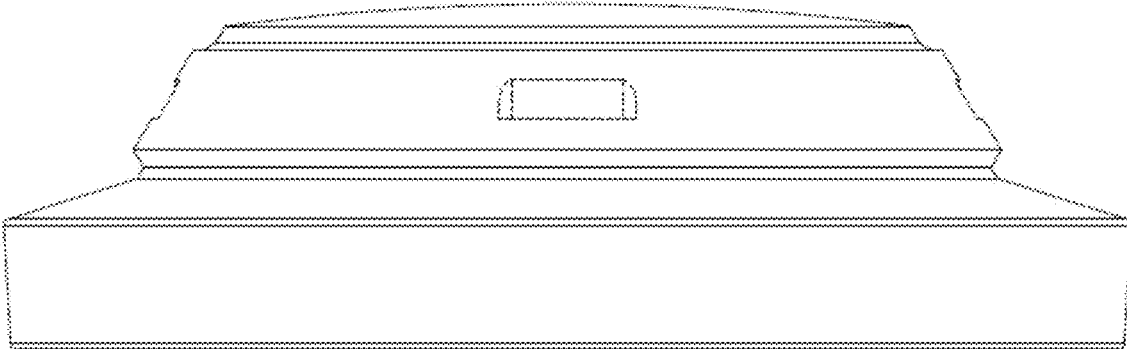


FIG. 2

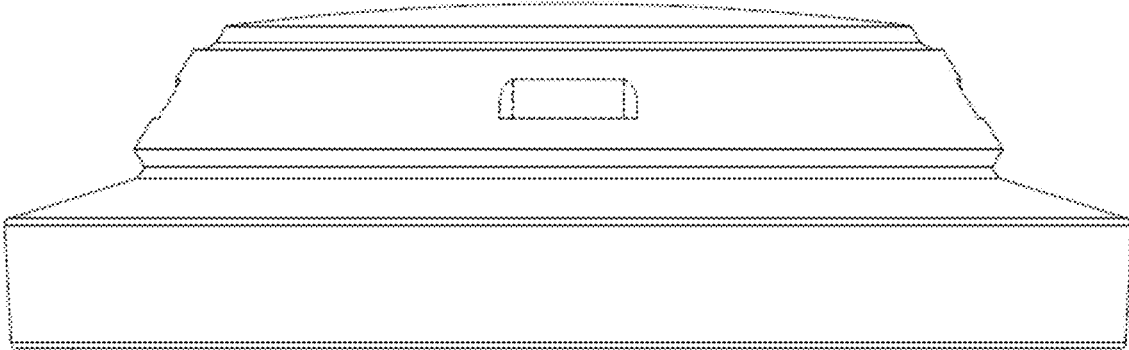


FIG. 3

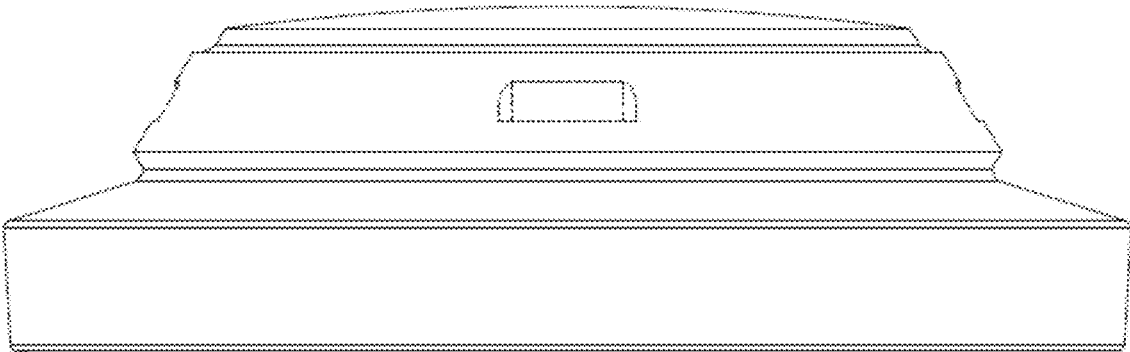


FIG. 4

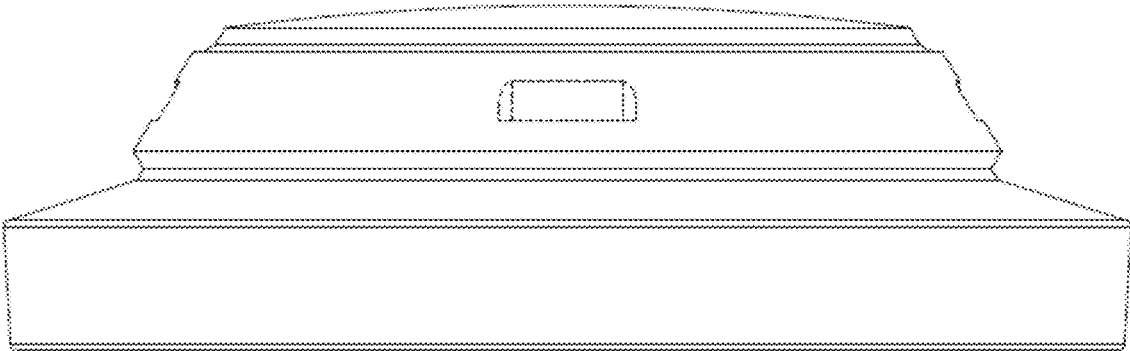


FIG. 5

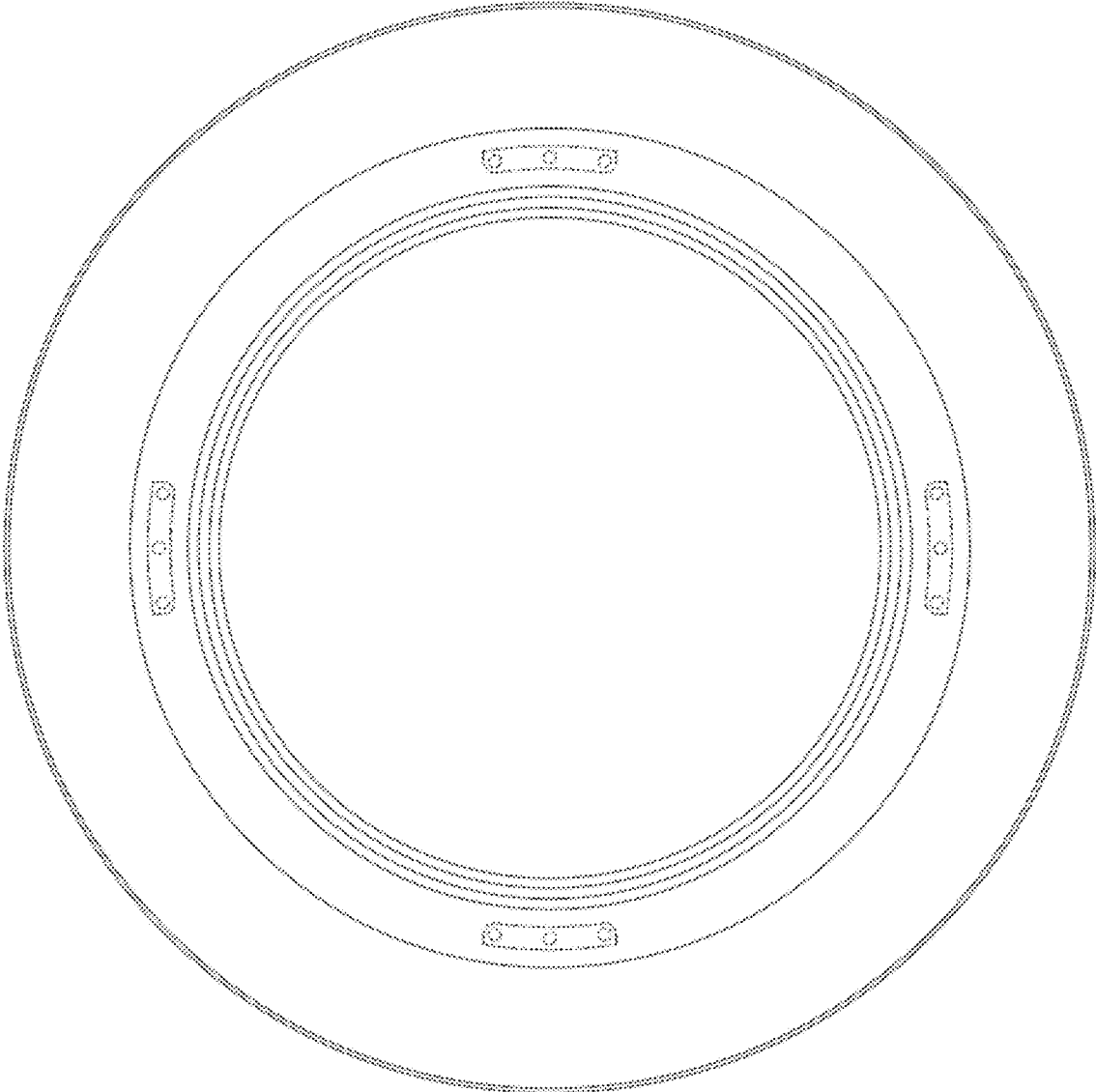


FIG. 6

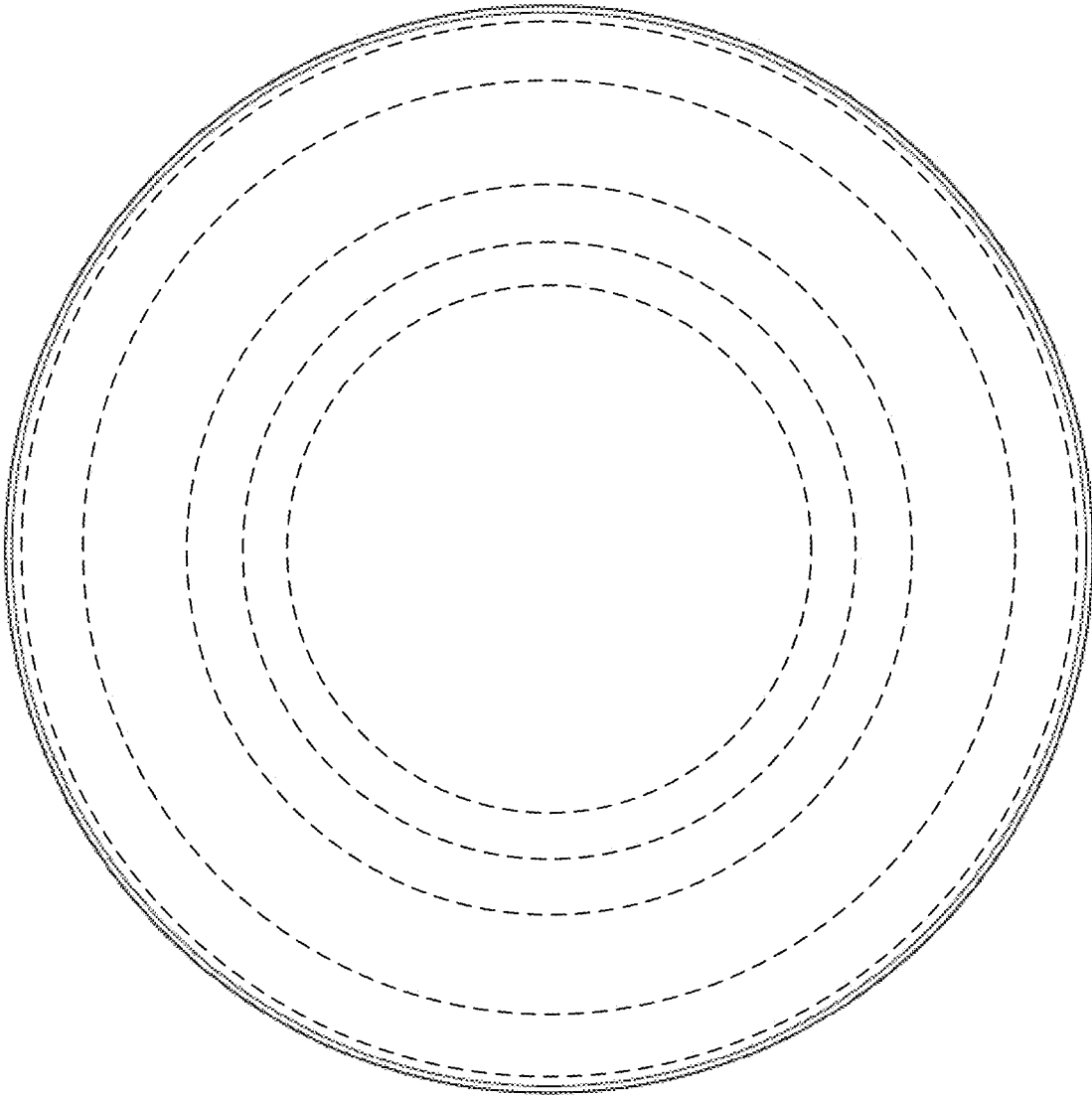


FIG. 7