

[54] NAIL GUN

[75] Inventors: James R. Brosius; Ralph C. Brosius, both of St. Louis, Mo.

[73] Assignee: Eldorado Cartridge Corporation, Boulder, Colo.

[**] Term: 14 Years

[21] Appl. No.: 82,361

[22] Filed: Aug. 6, 1987

[52] U.S. Cl. D8/67; D10/61

[58] Field of Search D8/49, 50, 61, 67, 68, D8/69; 227/8, 10, 120, 130, 131

[56] References Cited

U.S. PATENT DOCUMENTS

- D. 298,509 11/1988 Brosius et al. D8/68
- 4,610,381 9/1986 Kramer et al. 227/120 X

FOREIGN PATENT DOCUMENTS

3016226 11/1981 Fed. Rep. of Germany 227/10

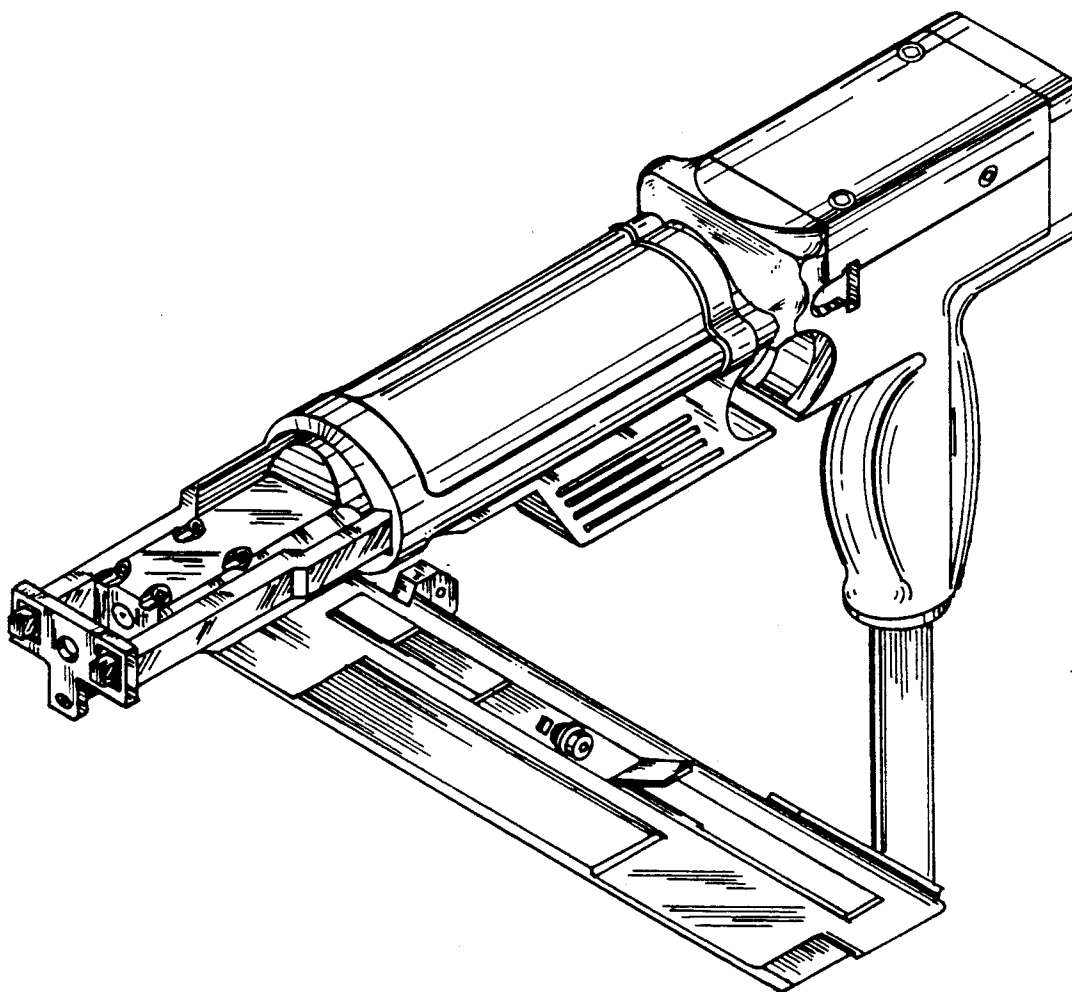
Primary Examiner—Nelson C. Holtje
Attorney, Agent, or Firm—Paul M. Denk

[57] CLAIM

The ornamental design for the nail gun, as shown and described.

DESCRIPTION

FIG. 1 is a top, front and right side isometric view of the nail gun showing my new design;
 FIG. 2 is a left side elevational view thereof;
 FIG. 3 is a front elevational view thereof;
 FIG. 4 is a right side elevational view thereof;
 FIG. 5 is a rear elevational view thereof;
 FIG. 6 is a top plan view thereof;
 FIG. 7 is a bottom plan view thereof.
 It being understood that the nail gun is shown in a fully loaded position in FIGS. 2-7.



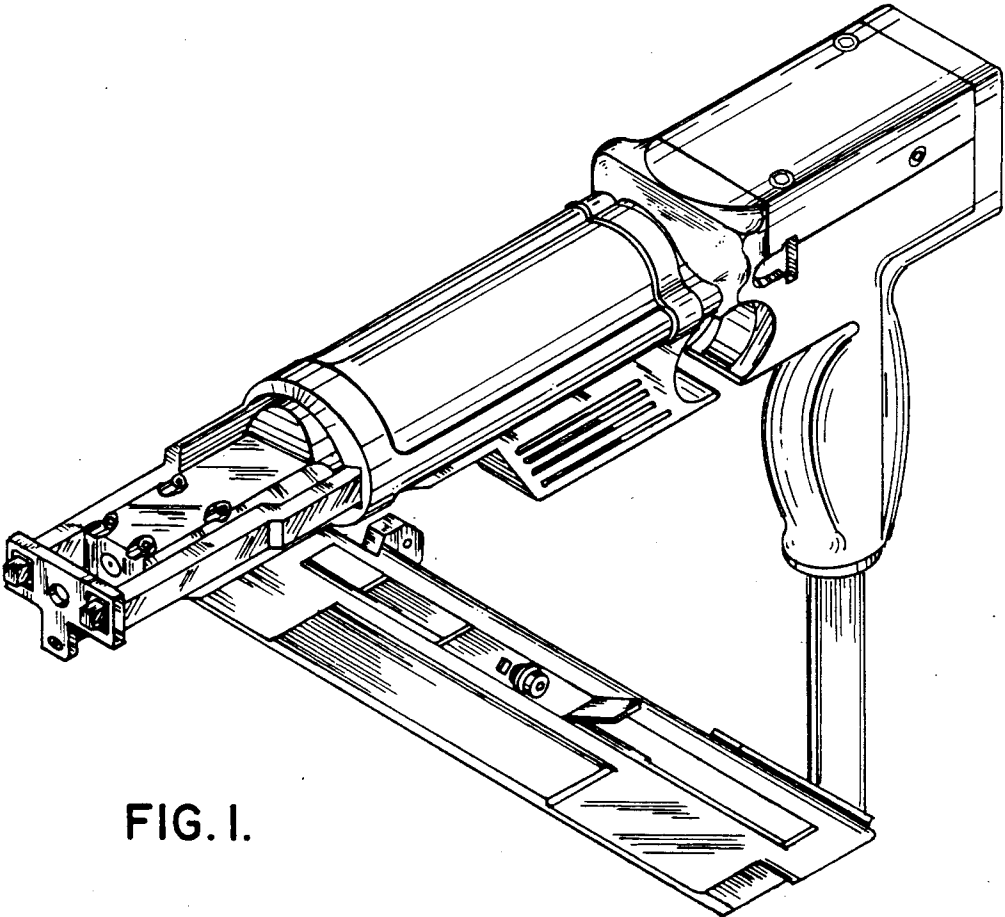


FIG. I.

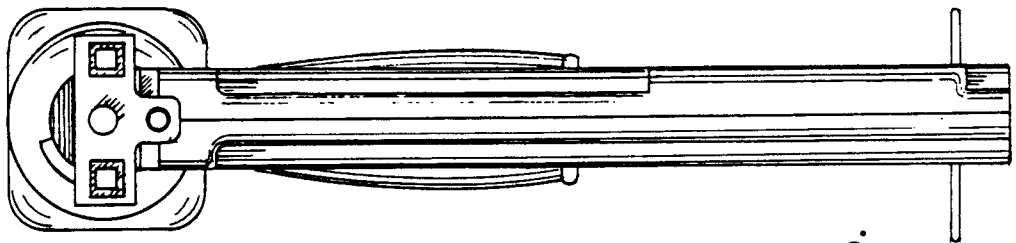


FIG. 3.

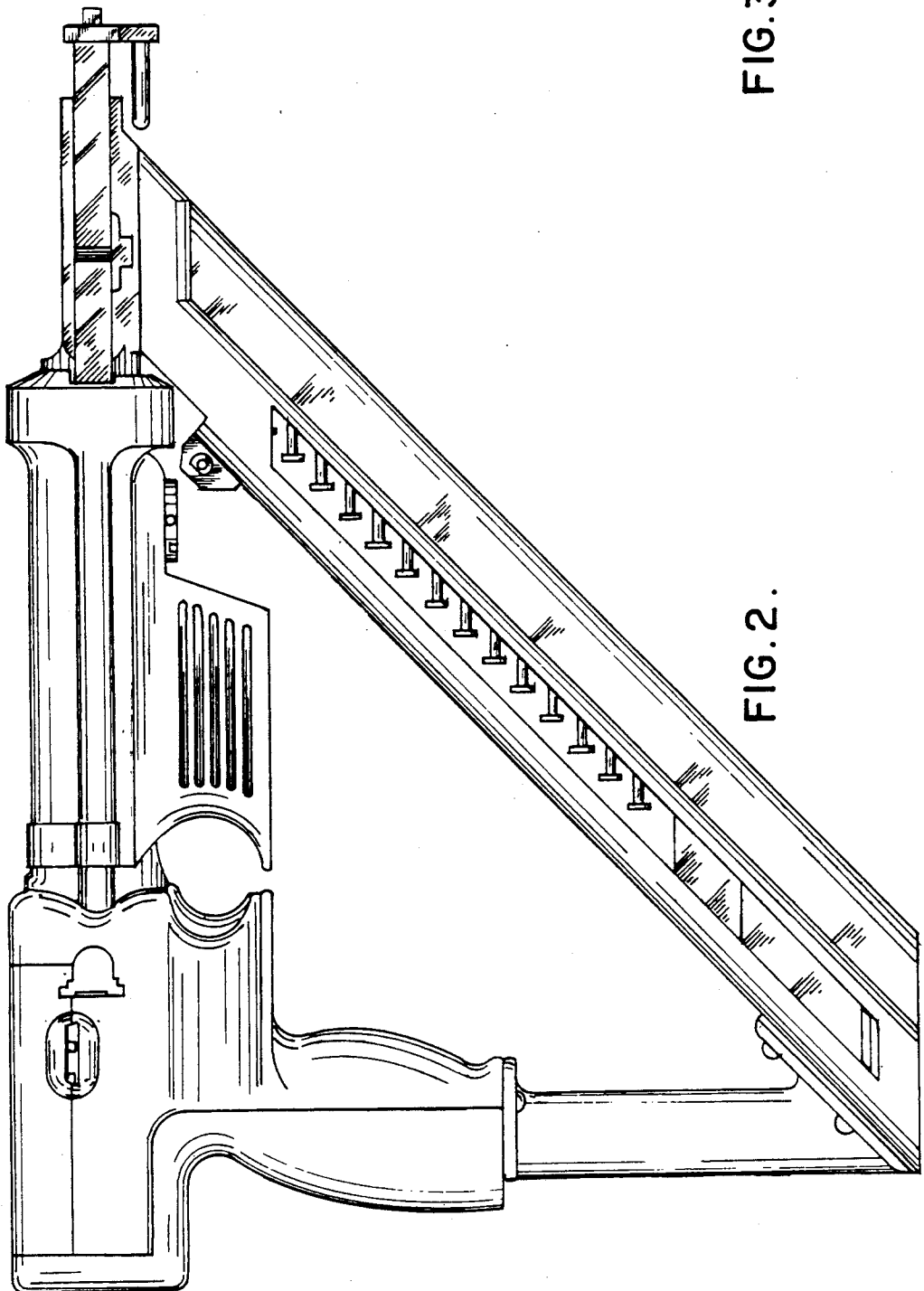


FIG. 2.

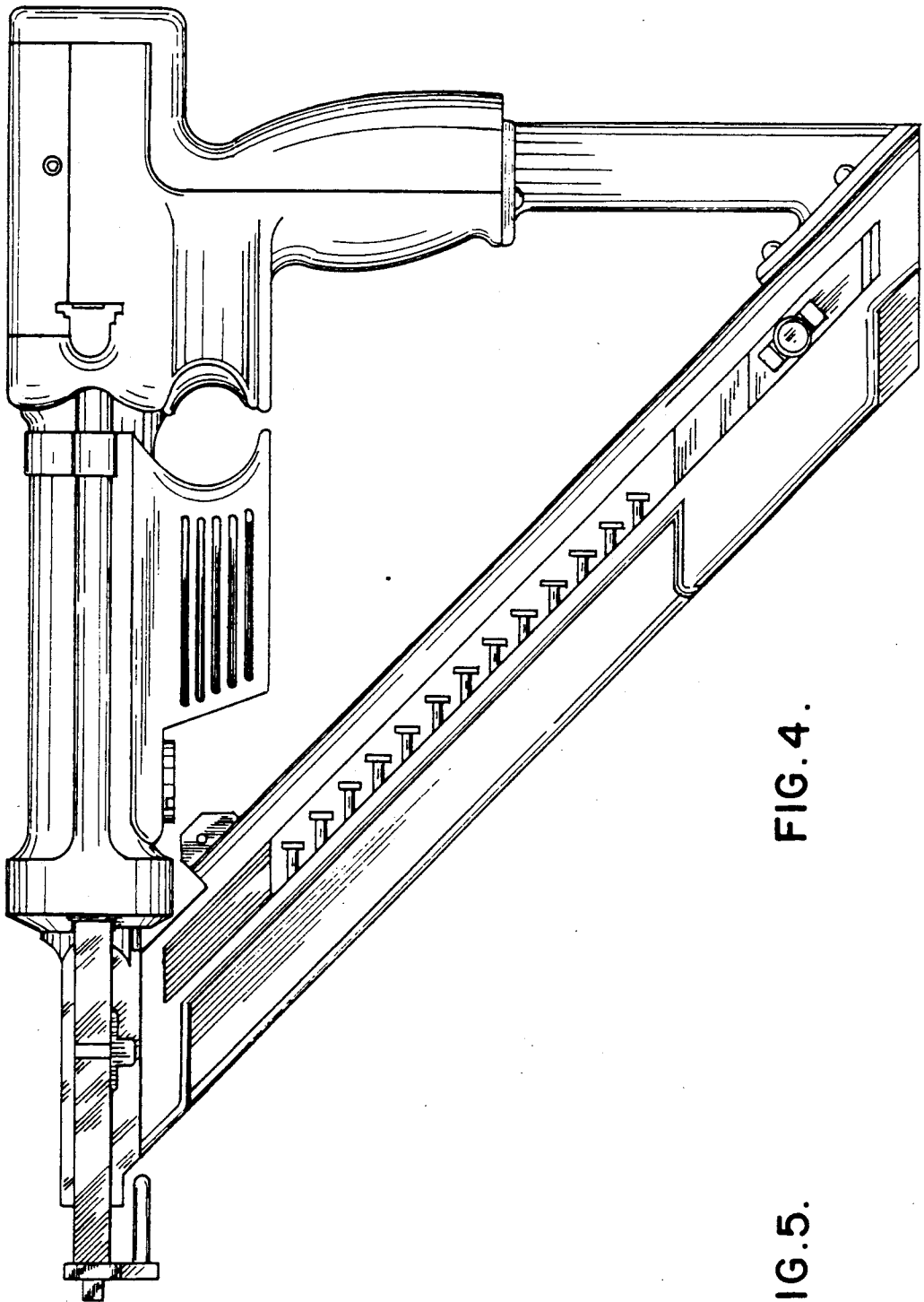


FIG. 4.

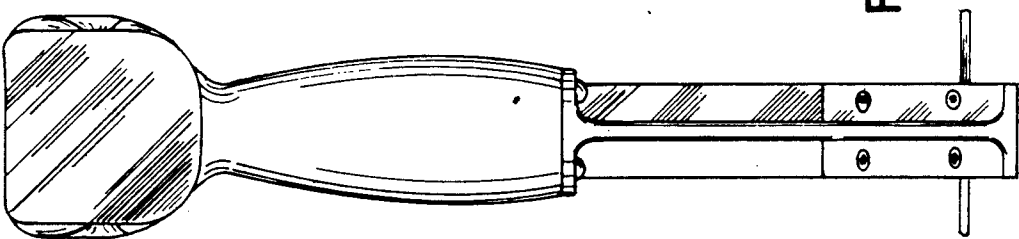


FIG. 5.

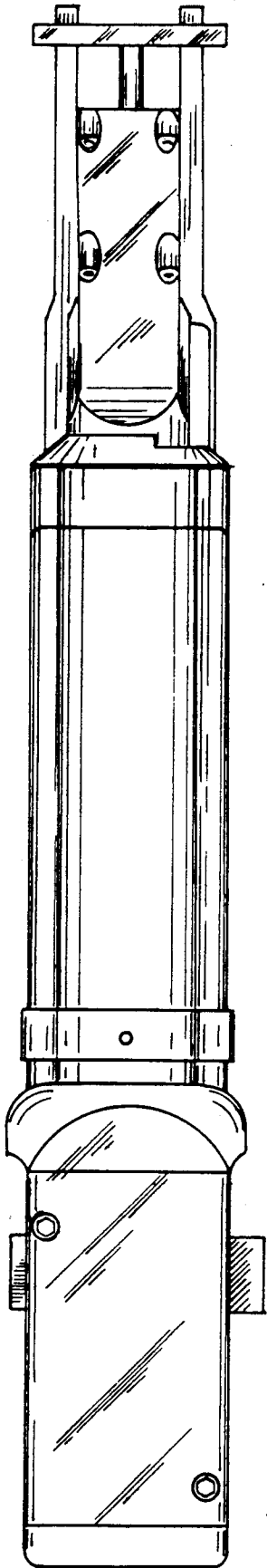


FIG. 6.

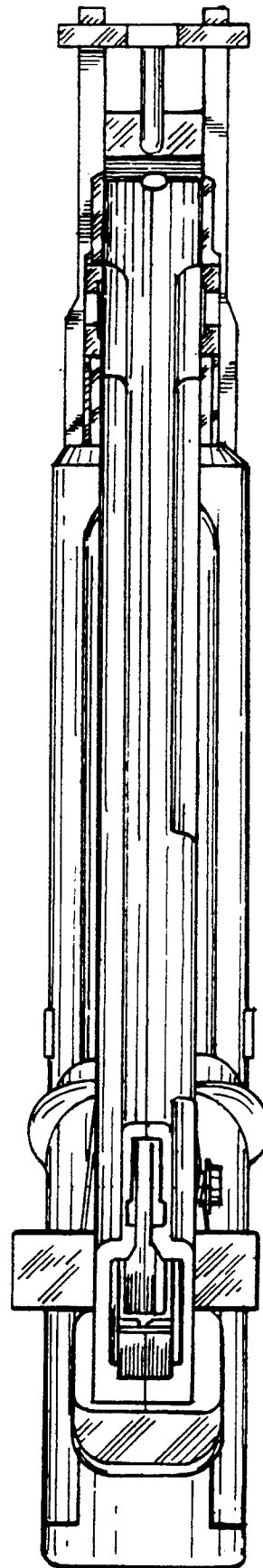


FIG. 7.