



US00D575366S

(12) **United States Design Patent**  
**Rollinson**

(10) **Patent No.:** **US D575,366 S**

(45) **Date of Patent:** **\*\* Aug. 19, 2008**

(54) **PUTTER HEAD**

(75) Inventor: **Augustin W. Rollinson**, Carlsbad, CA  
(US)

(73) Assignee: **Callaway Golf Company**, Carlsbad, CA  
(US)

(\*\*) Term: **14 Years**

(21) Appl. No.: **29/279,442**

(22) Filed: **May 1, 2007**

(51) **LOC (8) Cl.** ..... **21-02**

(52) **U.S. Cl.** ..... **D21/744**

(58) **Field of Classification Search** ..... D21/736-746;  
473/324-331, 340-341, 251-256  
See application file for complete search history.

(56) **References Cited**

**U.S. PATENT DOCUMENTS**

|              |         |               |       |         |
|--------------|---------|---------------|-------|---------|
| D457,586 S * | 5/2002  | Tang et al.   | ..... | D21/759 |
| D461,515 S * | 8/2002  | Tang et al.   | ..... | D21/742 |
| D467,985 S * | 12/2002 | Tang et al.   | ..... | D21/742 |
| D483,824 S * | 12/2003 | Tang et al.   | ..... | D21/738 |
| D485,323 S * | 1/2004  | Wagner et al. | ..... | D21/744 |
| D496,418 S * | 9/2004  | Tang et al.   | ..... | D21/738 |
| D518,127 S * | 3/2006  | Tang et al.   | ..... | D21/742 |

|              |         |                  |       |         |
|--------------|---------|------------------|-------|---------|
| D537,135 S * | 2/2007  | Rollinson et al. | ..... | D21/742 |
| D539,865 S * | 4/2007  | Tang et al.      | ..... | D21/759 |
| D545,385 S * | 6/2007  | Tang et al.      | ..... | D21/736 |
| D548,296 S * | 8/2007  | Rollinson et al. | ..... | D21/744 |
| D557,361 S * | 12/2007 | Rollinson et al. | ..... | D21/743 |

\* cited by examiner

*Primary Examiner*—Mitchell I Siegel

(74) *Attorney, Agent, or Firm*—Michael A. Catania; Elaine H. Lo

(57) **CLAIM**

The ornamental design for a putter head, as shown and described.

**DESCRIPTION**

FIG. 1 is a top perspective view of a putter head as claimed herein;

FIG. 2 is a front elevational view thereof;

FIG. 3 is a rear elevational view thereof;

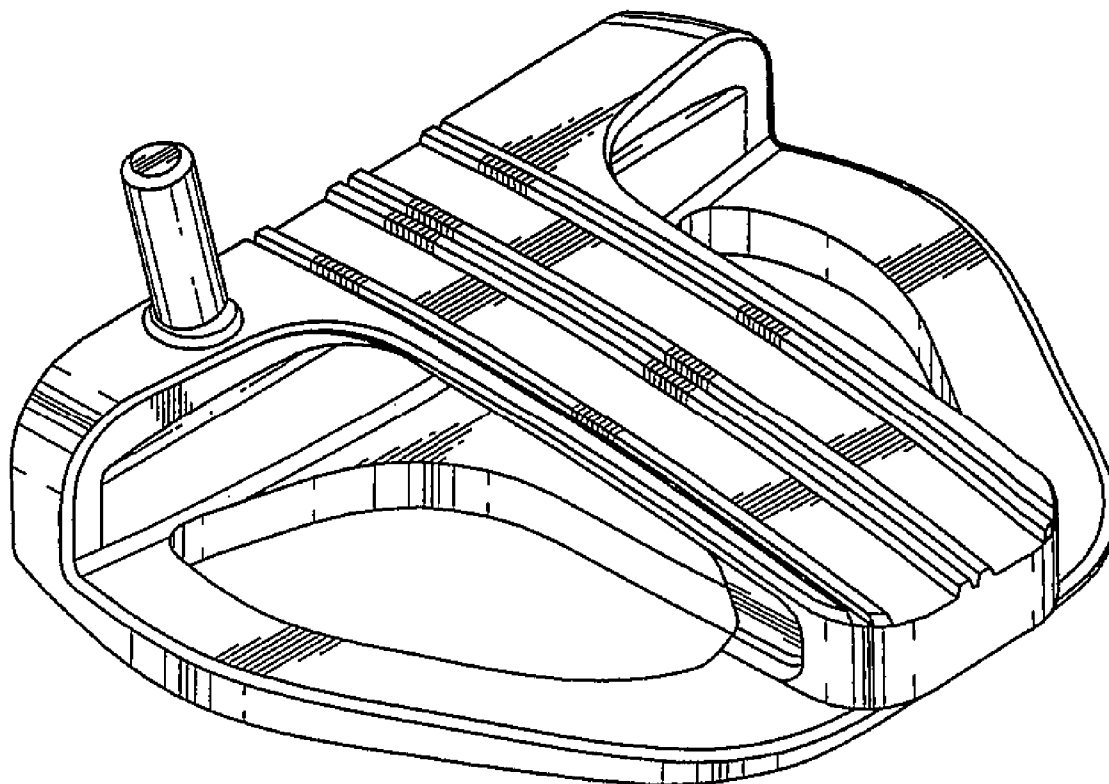
FIG. 4 is a toe elevational view thereof;

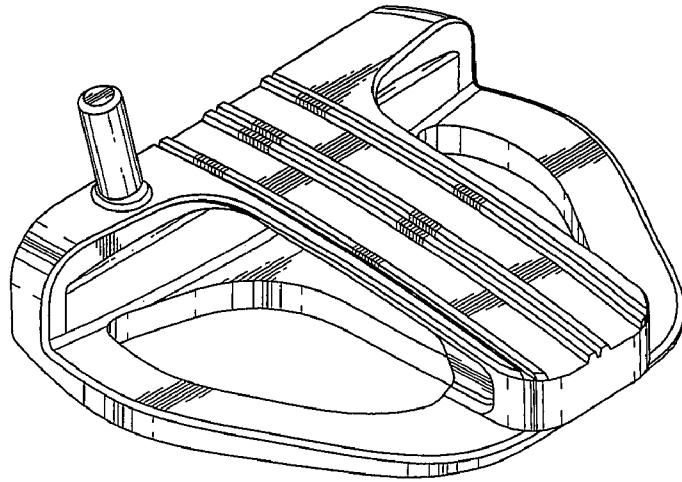
FIG. 5 is a heel elevational view thereof

FIG. 6 is a top plan view thereof; and,

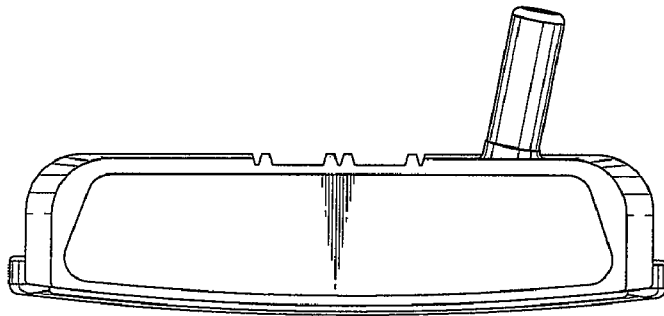
FIG. 7 is a bottom plan view thereof.

**1 Claim, 2 Drawing Sheets**

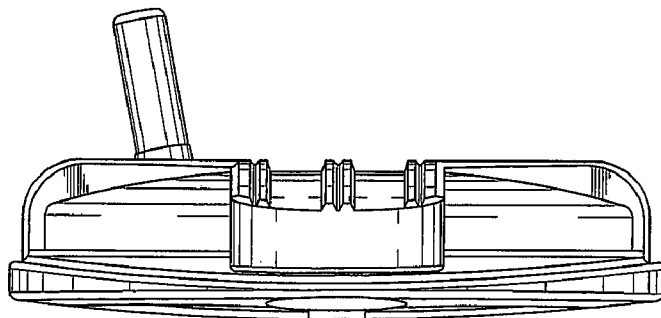




*FIG. 1*



*FIG. 2*



*FIG. 3*

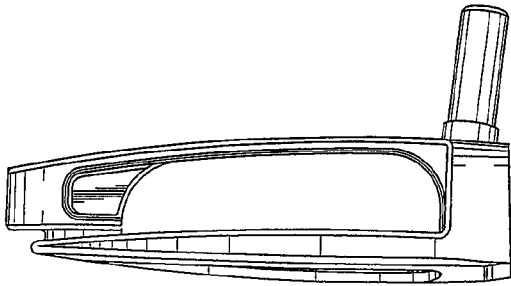


FIG. 4

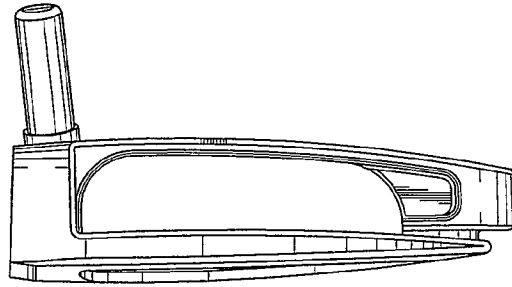


FIG. 5

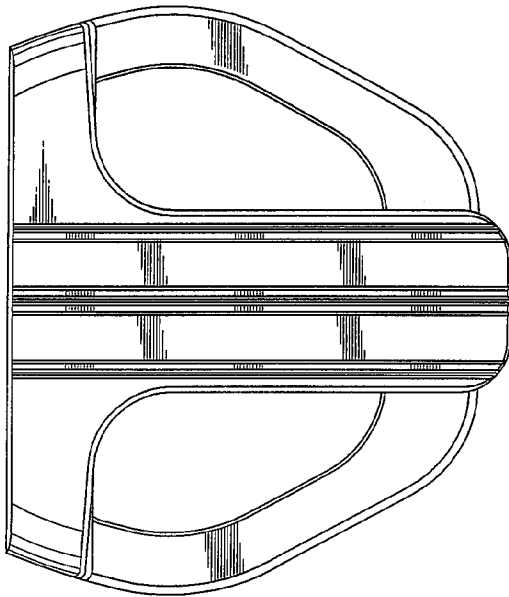


FIG. 6

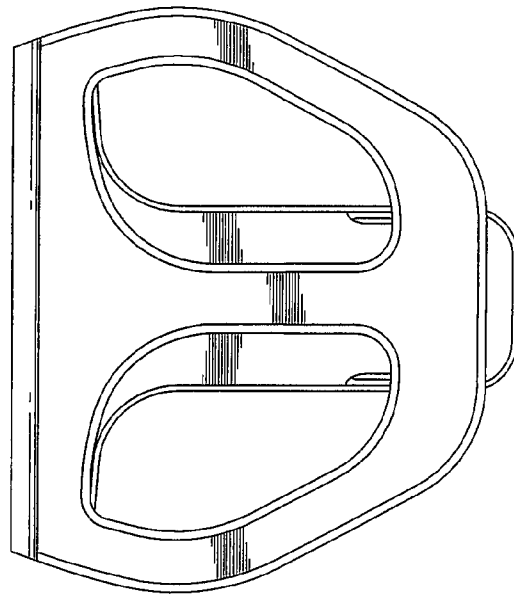


FIG. 7