

(19) World Intellectual Property Organization
International Bureau



(43) International Publication Date
12 June 2008 (12.06.2008)

PCT

(10) International Publication Number
WO 2008/070516 A3

(51) International Patent Classification:

A61M 15/08 (2006.01) F16K 11/00 (2006.01)
A61M 16/00 (2006.01) G05D 11/02 (2006.01)

(21) International Application Number:

PCT/US2007/085869

(22) International Filing Date:

29 November 2007 (29.11.2007)

(25) Filing Language:

English

(26) Publication Language:

English

(30) Priority Data:

60/868,152 1 December 2006 (01.12.2006) US

(71) Applicant (for all designated States except US): **ABBOTT LABORATORIES** [US/US]; D-377, Bldg AP6A-1, 100 Abbott Park Road, Abbott Park, Illinois 60064-6008 (US).

(72) Inventors; and

(75) Inventors/Applicants (for US only): **GENOVA, Perry** [US/US]; 8226 Glynmorgan Way, Chapel Hill, North Carolina 27516 (US). **WILLIAMS, Robert C, III** [US/US]; 11309 Derby Lane, Raleigh, North Carolina 27613 (US).

KAKADE, Prashant [IN/US]; 123 Grande Meadow Way, Cary, North Carolina 27513 (US). **HYDER, Robin** [BD/US]; 105 Old Savannah Drive, Morrisville, North Carolina 27560 (US).

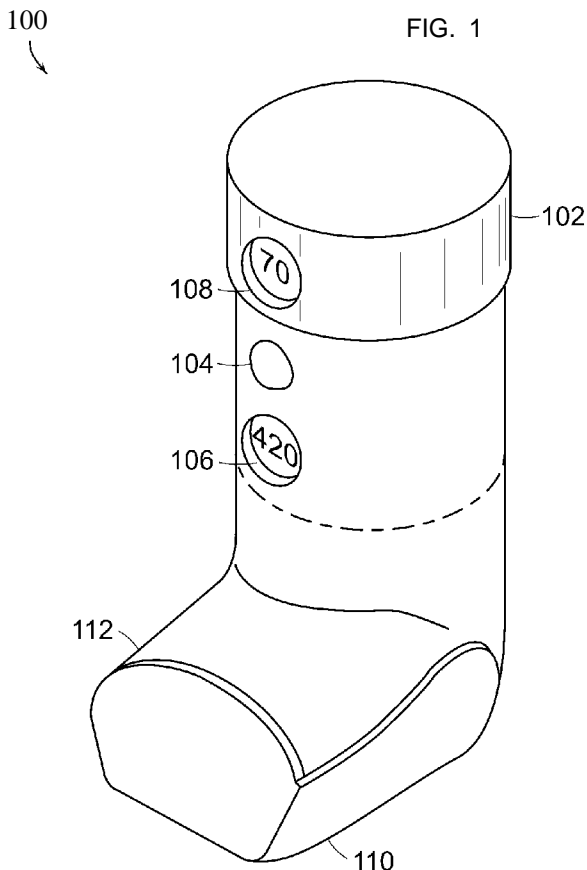
(74) Agents: **ZINKL, Gregory** et al; Dykema Gossett PLLC, 10 South Wacker Drive, Suite 2300, Chicago, Illinois 60606 (US).

(81) Designated States (unless otherwise indicated, for every kind of national protection available): AE, AG, AL, AM, AT, AU, AZ, BA, BB, BG, BH, BR, BW, BY, BZ, CA, CH, CN, CO, CR, CU, CZ, DE, DK, DM, DO, DZ, EC, EE, EG, ES, FI, GB, GD, GE, GH, GM, GT, HN, HR, HU, ID, IL, IN, IS, JP, KE, KG, KM, KN, KP, KR, KZ, LA, LC, LK, LR, LS, LT, LU, LY, MA, MD, ME, MG, MK, MN, MW, MX, MY, MZ, NA, NG, NI, NO, NZ, OM, PG, PH, PL, PT, RO, RS, RU, SC, SD, SE, SG, SK, SL, SM, SV, SY, TJ, TM, TN, TR, TT, TZ, UA, UG, US, UZ, VC, VN, ZA, ZM, ZW

(84) Designated States (unless otherwise indicated, for every kind of regional protection available): ARIPO (BW, GH,

[Continued on next page]

(54) Title: DOSE SELECTIVE BREATH ACTUATED INHALER



(57) Abstract: A dose selective breath actuated inhaler including a meterless canister storing a pressurized medicament, and a vacuum actuated release, where application of a vacuum to the inhaler initiates a release of the medicament in the canister. The inhaler includes a mechanism for dialing a proper dose of pressurized medicament, a computer for generating a plurality of signals including a solenoid trigger signal, and a solenoid which upon receipt of a solenoid trigger signal actuates a solenoid arm to end the release of the medicament from the canister.

WO 2008/070516 A3



GM, KE, LS, MW, MZ, NA, SD, SL, SZ, TZ, UG, ZM, ZW), Eurasian (AM, AZ, BY, KG, KZ, MD, RU, TJ, TM), European (AT, BE, BG, CH, CY, CZ, DE, **DK**, EE, ES, FI, FR, GB, GR, HU, IE, **IS**, **IT**, LT, LU, LV, MC, MT, NL, PL, PT, **RO**, SE, SI, SK, TR), OAPI (BF, **BJ**, CF, CG, CI, CM, GA, GN, GQ, GW, ML, MR, NE, SN, TD, TG).

Published:

— *with international search report*

(88) Date of publication of the international search report:
4 September 2008

INTERNATIONAL SEARCH REPORT

International application No
PCT/US 07/85869

A CLASSIFICATION OF SUBJECT MATTER
IPC(8) - A61 M 15/08, A61 M 16/00, F16K 11/00, G05D 11/02 (2008.04)
USPC - 128/203.23, 203.25
According to International Patent Classification (IPC) or to both national classification and IPC

B FIELDS SEARCHED

Minimum documentation searched (classification system followed by classification symbols)
IPC(8) - A61M 15/08, A61M 16/00, F16K 11/00, G05D 11/02 (2008 04)
USPC - 128/203 23, 203 25

Documentation searched other than minimum documentation to the extent that such documents are included in the fields searched
128/200 14, 200 21, 200 23, 200 24, 203 12, 203 15, 604/19, 48, 57, 58

Electronic data base consulted during the international search (name of data base and, where practicable, search terms used)
PubWEST(USPT,PGPB,EPAB,JPAB), Google Scholar;
Search Terms Used inhaler, suction, vacuum actuated, vacuum driven, vacuum powered, computer, processor, solenoid, diaphragm, meterless

C DOCUMENTS CONSIDERED TO BE RELEVANT

Category*	Citation of document, with indication, where appropriate, of the relevant passages	Relevant to claim No
X	US 2004/0050385 A 1 (BONNEY et al) 18 March 2004 (18 03 2004) Entire document, especially para [0008], [0016], [0017], [0023], [0030], [0041], [0067], [0077]-[0087], [0065], [0119], [0122], [0149], [0153]-[0156], Fig 6	1-3, 7, 9, 11-18, 21, 24 and 25
Y		6, 8, 10, 19, 22 and 23
Y	US 2006/0243275 A 1 (RUCKDESCHEL et al) 02 November 2006 (02 11 2006) Entire document, especially para [0009] [0037], [0038], [0048]	6, 8, 10, 19, 22 and 23
Y	US 6,589,259 B 1 (SOLIGEN) 08 July 2003 (08 07 2003) Entire document, especially col 4, ln 8-25 and Fig 1	4, 5 and 20

Further documents are listed in the continuation of Box C

* Special categories of cited documents	"T" later document published after the international filing date or priority date and not in conflict with the application but cited to understand the principle or theory underlying the invention
"A" document defining the general state of the art which is not considered to be of particular relevance	"X" document of particular relevance, the claimed invention cannot be considered novel or cannot be considered to involve an inventive step when the document is taken alone
"E" earlier application or patent but published on or after the international filing date	"Y" document of particular relevance, the claimed invention cannot be considered to involve an inventive step when the document is combined with one or more other such documents, such combination being obvious to a person skilled in the art
"L" document which may throw doubts on priority claim(s) or which is cited to establish the publication date of another citation or other special reason (as specified)	"&" document member of the same patent family
"O" document referring to an oral disclosure, use, exhibition or other means	
"P" document published prior to the international filing date but later than the priority date claimed	

Date of the actual completion of the international search 27 May 2008 (27 05 2008)	Date of mailing of the international search report 13 JUN 2008
---	--

Name and mailing address of the ISA/US Mail Stop PCT, Attn ISA/US, Commissioner for Patents P O Box 1450, Alexandria, Virginia 22313-1450 Facsimile No 571-273-3201	Authorized officer Lee W Young PCT Helpdesk 571-272-4300 PCT OSP 571 272-7774
--	--