

(19) World Intellectual Property Organization  
International Bureau



(43) International Publication Date  
8 April 2010 (08.04.2010)

PCT

(10) International Publication Number  
**WO 2010/039089 A1**

- (51) International Patent Classification:  
*F28D 9/00* (2006.01)      *F28F 21/06* (2006.01)  
*F24J 2/20* (2006.01)
- (21) International Application Number:  
PCT/SE2009/051051
- (22) International Filing Date:  
22 September 2009 (22.09.2009)
- (25) Filing Language: English
- (26) Publication Language: English
- (30) Priority Data:  
0802068-7    30 September 2008 (30.09.2008)    SE
- (71) Applicant (for all designated States except US): **SUN-CORE AB** [SE/SE]; Fagermäsvägen 18, S-SE-132 37 Saltsjö-boo (SE).
- (72) Inventor; and
- (75) Inventor/Applicant (for US only): **ERIKSSON, Per Gunnar** [SE/SE]; Vasagatan 3, S-SE-903 29 Umeå (SE).
- (74) Agent: **ZACCO SWEDEN AB**; P.O. Box 23101, Sveavägen 151, S-104 35 Stockholm (SE).
- (81) Designated States (unless otherwise indicated, for every kind of national protection available): AE, AG, AL, AM,

AO, AT, AU, AZ, BA, BB, BG, BH, BR, BW, BY, BZ, CA, CH, CL, CN, CO, CR, CU, CZ, DE, DK, DM, DO, DZ, EC, EE, EG, ES, FI, GB, GD, GE, GH, GM, GT, HN, HR, HU, ID, IL, IN, IS, JP, KE, KG, KM, KN, KP, KR, KZ, LA, LC, LK, LR, LS, LT, LU, LY, MA, MD, ME, MG, MK, MN, MW, MX, MY, MZ, NA, NG, NI, NO, NZ, OM, PE, PG, PH, PL, PT, RO, RS, RU, SC, SD, SE, SG, SK, SL, SM, ST, SV, SY, TJ, TM, TN, TR, TT, TZ, UA, UG, US, UZ, VC, VN, ZA, ZM, ZW.

(84) Designated States (unless otherwise indicated, for every kind of regional protection available): ARIPO (BW, GH, GM, KE, LS, MW, MZ, NA, SD, SL, SZ, TZ, UG, ZM, ZW), Eurasian (AM, AZ, BY, KG, KZ, MD, RU, TJ, TM), European (AT, BE, BG, CH, CY, CZ, DE, DK, EE, ES, FI, FR, GB, GR, HR, HU, IE, IS, IT, LT, LU, LV, MC, MK, MT, NL, NO, PL, PT, RO, SE, SI, SK, SM, TR), OAPI (BF, BJ, CF, CG, CI, CM, GA, GN, GQ, GW, ML, MR, NE, SN, TD, TG).

Published:  
— with international search report (Art. 21(3))  
— before the expiration of the time limit for amending the claims and to be republished in the event of receipt of amendments (Rule 48.2(h))

(54) Title: HEAT EXCHANGER ELEMENT

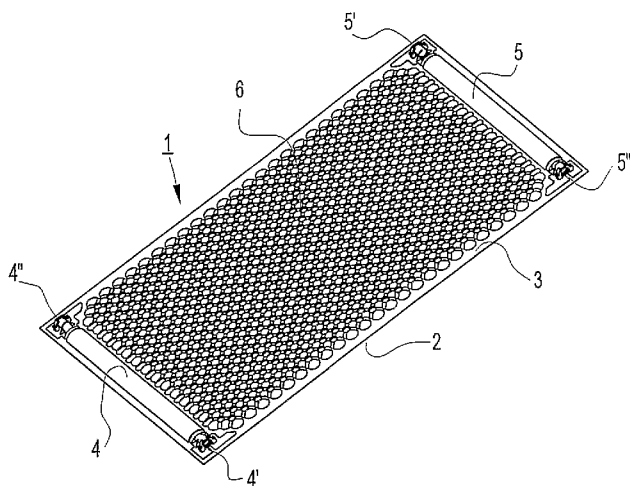


Fig. 1

(57) Abstract: The invention relates to an heat exchanger element of a plate type, with one internal flow passage, comprising two plates defining an inlet, an outlet and an internal passage extending between said inlet and said outlet, whereas said passage is between two generally parallel plates of self supporting polymer material. The present invention also relates to the use of such an exchanger element as collector in a solar energy arrangement, as chilled beam, as hear distributing element, as subterranean collector, as exchange element in industrial processes and as heat absorber in arrangements for cooling electrical components that are negatively affected by being close to elements having electrical conductivity.



WO 2010/039089 A1

## HEAT EXCHANGER ELEMENT

### Field of the invention

The present invention relates to a heat exchanger element of a plate type with one internal flow passage comprising two plates defining an inlet, an outlet and an internal  
5 flow passage that extends between said inlet and said outlet.

The present invention also relates to a number of uses of such an element.

### Background of the invention

Heat exchanger elements of a plate type are well known and typically made of metal. The production cost for such elements are relatively high, depending on the price of  
10 relevant metals and time required for the production, comprising cutting, forming and welding/brazing. In use, metal based elements are relatively heavy and have a high electrical conductivity which can be negative in some situations. They are also stiff and easily defected if exposed to bending or shock forces.

A heat exchange element has also been presented that is produced from a rubber  
15 based materials, but such elements are flexible and therefore not suited for applications where stability in shape and volume is required.

### Object and summary of the invention

It is therefore an object of the present invention to provide a heat exchanger element that solves or at least alleviates to some extent the abovementioned problems or  
20 challenges. This object is achieved by the present invention as it is defined in the attached independent claims.

Another object is to introduce a number of uses of such a heat exchange element.

This is achieved by a heat exchanger element of a plate type with one internal flow passage, comprising two plates defining an inlet, an outlet and an internal passage  
25 extending between said inlet and said outlet, whereas said passage is defined between two generally parallel plates of a self-supporting polymer material. Herewith a non corrosive heat exchanger element can be produced in a cost effective way in an industrialised processes. A polymer material is easy to form and join and is form stable but also allows some flexing, making it tolerant to bending and shock forces. Hereby, e.g. the  
30 element can be placed horizontally and suspended only at its edges.

In one embodiment at least one of said plates is of a non-conductive material. In this way, the heat exchanger element can be used in situations and places where spark over, short-cut or other electrical phenomena need to be avoided.

In one embodiment at least one plate can show a pattern configuring the passage.  
35 In an alternative embodiment one plate can show a pattern configuring the passage and the other plate is plane.

In one embodiment the plates can be bound to each other by means of joints that show homogeneous material or with joints having the same molecular structure as the plate material surrounding the joints, hereby reducing the risk of fluctuating temperatures negatively affecting the joints.

5 In one embodiment the joints between the plates can have the same material thickness as the plate's thickness between the joints.

In one embodiment the polymer material can be from a group of thermoplastic materials comprising e.g. ABS-plastics, polycarbonate plastics, polypropene, etc.

10 In one embodiment the plates in the element can comprise layers building up the characteristics of the specific plate. In one embodiment the two plates can have different material characteristics. Examples of such characteristics can be UV-resistance, impact resistance and defined hygiene characteristics to be allowed for use in food or pharmaceutical applications as well as resistivity.

15 In one embodiment a plurality of spot joints can be arranged between the plates and distributed over the passage area. Dimples can be arranged in at least one of the plates. These spot joints contribute to the stability of the element, both with regard to resistance against bending and, when asserted to internal pressure, with regard to resistance against change in volume. This additional strength also makes it possible in some applications to use the element as a load carrying component in a structure.

20 In one embodiment of the present invention, the inlet and the outlet opening respectively, can be provided with a connector arrangement.

The present invention also concerns the use of a heat exchanger element, as described above, as absorber in a solar energy arrangement for the heating of water or other fluids.

25 The present invention also concerns the use of a heat exchanger element, as described above, as a chilled beam in an arrangement to be used for lowering the temperature in a building, where the element can be positioned at ceilings, walls, pillars, stand-alone or in floors.

30 The present invention also concerns the use of a heat exchanger element, as described above, as heat distributing element in an arrangement to be used for rising the temperature in a building, where the element can be positioned at ceilings, walls, pillars, stand-alone or in floors.

35 The present invention also concerns the use of a heat exchanger element, as described above, as a subterranean collector element in a ground energy system. Here the ability to maintaining the internal passage and at the same time accept some flexing without plastic deformation or cracks, makes is possible for such an element to sustain normal ground movements and forces.

The present invention also concerns the use of a heat exchanger element, as described above, as heat exchanger element in industrial processes and food production applications. There are a number of polymer materials approved for use in e.g. food production and some of them are also possible to use in a heat exchange element according to the present invention.

The present invention also concerns the use of a heat exchanger element, as described above, as heat absorber in a temperature regulating arrangement for cooling electrical components that are negatively affected by being close to or abutting elements having electrical conductivity.

The present invention will be explained in more detail hereinafter on the basis of a detailed description of embodiments of the invention, which embodiments are meant solely as examples. In the following description thereof, reference is made to the appended figures, in which:

#### **Brief description of the drawing**

Fig. 1 schematically shows a perspective view of an element according to a first embodiment of the present invention.

Fig. 2 schematically shows a side view of the element in fig. 1

Fig. 3 schematically shows an exploded perspective view of an attachment arrangement used in one embodiment.

#### **Description of embodiments**

In fig. 1 and 2, a first embodiment of a heat exchange element 1 according to the present invention is schematically depicted. The element 1 has a first rectangular plate 2 that is plane and a second rectangular plate 3 showing a pattern that, together with said first plate 1 when joined, defines an inlet channel 4 and an outlet channel 5 and a passage 6 extending between said inlet and said outlet.

The two rectangular plates are made of a 1 mm thick thermoplastic material, an ABS. The most important mechanical properties of ABS are resistance and toughness but a variety of modifications can also be made to improve impact resistance, toughness as well as heat and UV resistance. Still it is a thermoplastic material that can be heated and given a form that it will keep when the temperature is again returned below the point allowing a plastic deformation.

The pattern formed in the second plate 3 can be described as topographic dislocations in one direction from a plane that the plate originally was a part of.

The parts of the second plate 3 that have not been dislocated will stay in their original plane and thus will be able to abut the surface of the first plate 2 when the two plates are in position for joining.

The pattern in the second plate 3 can in this embodiment be described as showing two parallel half pipes arranged at opposite edge portions of the rectangular plate and parallel to respective edge. Between said half pipes, a wafer pattern or a number of spherical cap dislocations distributed over the area.

5 Looking at the element from the patterned side, as in fig.1, parts of the first plate 2 is actually visible in the corners of the element. The reason for this is that the corners have been cut away from the second plate 3 so that the half pipe shapes defining the inlet channel 4 and the outlet channel respectively ends at a distance from respective nearby edge. Thus providing space for an attachment means to be placed in each opening 4', 4''  
10 5', 5'' and still be inside the outer edges, of the rectangular element.

Further, the inlet channel 4 has an inlet opening 4' through which a fluid can be feed. The inlet channel 4 is provided with a number of apertures along its extension allowing the fluid to enter into the passage pattern 6. The opening 4'' at the opposite side of the inlet channel 4 may either be plugged, if only one element is to be used in the  
15 system, or may be connected to the inlet of the next element, if another element is to be used in the system.

The outlet channel 5 is provided with a number of apertures along its extension allowing the fluid from the channels in the passage pattern 6 to enter into the outlet channel 5, for further delivery from the element through the outlet opening 5'. The opening  
20 5'' at the opposite side of the outlet channel 5 may either be plugged, if only one element is to be used in the system, or may be connected to the outlet of a previous element, if another element is used in parallel in the system.

The inlet channel and the outlet channel both can act as flow through channels, besides their respective functions as spreading of fluid across the entire width of the  
25 patterned passage and receiving/collecting fluid from the patterned passage.

In producing the element, the second plate 3 is heated up and given its intended form before it is brought against the first plate 2 in their intended relative positions. Thereafter the contact surfaces between the two plates are heated up and pressed against each other to form a homogenous joint between the two with no additional material added  
30 in the joints.

In a further embodiment of the present invention, attachment means are positioned in the respective openings at both ends of the inlet channel and the outlet channel.

With reference to fig. 3, the attachment means according to the present  
35 embodiment are in the form of quick couplings for tool free connection of a pipe, tube or hose. The coupling comprise a housing 10 having first insertion part 11, that shows a through hole and an outside that is complementary designed in relation to the opening in

which it is intended to be used. Here the inlet channel and the outlet channel both have the same symmetric inner shape at their respective openings, thus one housing configuration can be used for all four openings. The insertion part 11 is intended to be received by the respective channel. Preferably the housing is produced in the same material as the plates, hereby the fixating of the housing to the element can be done by applying heat and pressure and without additional material being provided. Also the housing can be fixated using adhesives, welding or other suitable fixating means or methods.

The housing 10 further comprise a receiving portion 12 arranged to receive the object to which it is to be attached. The receiving portion 12 comprises a cylindrical bore 13 connected to said through hole and having a countersunk collar 14. The receiving portion 12 is arranged to interact with a sealing device in the form of a O-ring 15 arranged to be asserted against said countersunk collar 14, a plane washer 16 arranged to be asserted against the O-ring 15 and a pipe/tube/hose gripping means in the form of a ring 17 provided on the inside with internal barbs 18. The ring 17 is intended to assert the plane washer and the barbs 18 are intended to grip a pipe/tube/hose inserted through the ring 17. Finally a releasable locking means 19 are realisably holding the gripping means/ring 17 in position, by preventing it from returning out of the cylindrical bore 13. The locking means 19 is here a pivotable clamp.

Hereby, if the O-ring 15, the plane washer 16 and the ring 17 is in place and locked with the locking means 19; a tube can be inserted through the ring 17, the plane washer 16 and through the tightening O-ring 15 until the tube abuts the countersunk collar 14. The barbs will prevent the tube from come loose, even when the system gets pressurized. If the locking means 19 is opened, the tube can be removed from the coupling.

If a cylinder is inserted instead of a tube, the opening will be plugged. Other objects can also be used that fits in the attachment means and is preventing fluid passage.

Further in one embodiment, the passage pattern provide a maximum height, the maximum distance between the inside surfaces of the two plates measured in a direction that is orthogonal to a plane that is generally parallel to the two plates, that is less then 1/5 of its width or extension in a plane generally parallel to the two plates. In one alternative embodiment the height is less then 1/10 of its width.

The element described above can be used as absorber element in an arrangement for collecting heat from solar energy. For this relatively larger carbon content is chosen in the polymer material to make the collector black. Such systems have a fluid, e.g. water, which passes through the element and gets heated by the solar energy. Then it continues to some kind of use of that heated fluid. Such use can be direct use of hot water or indirect use through a heat exchanger means. To improve efficiency, the element can

be placed on an insulating bed in a box with a transparent lid. To fasten the element, the element can be clamped at its edges or the element can be provided with fastening holes through its main surface, given that the edges delimiting said holes are sealed. The self-supporting characteristics of the element make it possible to hang the element on a wall or place in on a roof without extra supporting structures.

The element described above can also be used as chilled beam element in a system to lower the temperature in a building using circulating cooling fluids. The thermoplastic material can be given different colours and shapes besides being relatively low-weighted.

If a building is provided with a heating system based on the circulation of warm fluids, the element described above can also be used as heat distributing element in such a circulating fluid system.

Another use of the element described above, is as subterranean collector element in a ground energy system. Such systems usually collect heat from the ground using hoses on frost proof depth, e.g. in gardens, or submerge to frost proof depth in some water, e.g. a lake. Compared to hoses, the element according to this invention can collect the same amount of energy on a smaller surface area. Compared to plate type elements of metal, the element according to this invention will have better possibility to survive the movements in the ground because of the material features accepts some flexing without generating plastic deformation or cracks.

In still another use of the element described above, the element is used as heat exchanger element in industrial processes or food production processes. In the latter the hygiene aspects is important and there are thermoplastic materials that are approved for such use and are possible to use in the plates when producing an element according to this invention.

The element as described above can also be used for cooling electrical components that are negatively affected by being close to or abutting elements having electrical conductivity. Examples of such components are components dealing with sending and receiving radio waves, radio frequency circuits and solar cells. If a high resistivity is desired e.g. in ABS material, small or excluded carbon content is chosen and a quality that don't absorb moist. A non-conductive material can e.g. have a resistivity above  $1 \times 10^6 \Omega \text{ m}$ , preferably above  $1 \times 10^8 \Omega \text{ m}$ , more preferably above  $1 \times 10^{10} \Omega \text{ m}$  and most preferably above  $1 \times 10^{13} \Omega \text{ m}$ .

The word "comprising" does not exclude the presence of elements or steps other than those listed in a claim. The word "a" or "an" preceding an element does not exclude the presence of a plurality of such elements.

## CLAIMS

1. Heat exchanger element of a plate type, with one internal flow passage, comprising two plates defining an inlet, an outlet and an internal passage extending  
5 between said inlet and said outlet, whereas said passage is defined between two generally parallel plates of a self-supporting polymer material, whereas a plurality of spot joints between the plates are distributed over the passage area.

2. Heat exchanger element according to claim 1, whereas at least one of said plates is of a non-conducting material.

10 3. Heat exchanger element according any of the claims 1 – 2, whereas at least one plate shows a pattern configuring the passage.

4. Heat exchanger element according any of the claims 1 – 3, whereas one plate shows a pattern configuring the passage and the other plate is plane.

15 5. Heat exchanger element according any of the claims 1 – 4, whereas the plates are bound to each other by means of material homogeneous joints.

6. Heat exchanger element according any of the claims 1 – 4, whereas the plates are bound to each other with joints having the same molecular structure as the plates.

7. Heat exchanger element according any of the claims 1 – 6, whereas the joints between the plates have the same material thickness as the plates.

20 8. Heat exchanger element according to any of the claims 1 – 7, whereas the polymer material is from the group of thermoplastic materials, e.g. comprising ABS, polycarbonate, polypropene.

9. Heat exchanger element according to any of the claims 1 – 8, whereas the plates comprises layers building up the characteristics of the plates.

25 10. Use of a heat exchanger element according to any of the claims 1 – 9 as absorber in a solar energy arrangement for the heating of water or other fluids.

11. Use of a heat exchanger element according to any of the claims 1 – 9 as chilled beam in an arrangement to be used for lowering the temperature in a building.

30 12. Use of a heat exchanger element according to any of the claims 1 – 9 as heat distributing element in an arrangement to be used for rising the temperature in a building.

13. Use of a heat exchanger element according to any of claims 1 – 9 as a subterranean collector element in a ground energy system.

14. Use of a heat exchanger element according to any of claims 1 – 9 as heat exchanger element in industrial processes and food production applications.

15. Use of a heat exchanger element according to any of claims 1 – 9 as heat absorber in a temperature regulating arrangement for cooling electrical components that are negatively affected by being close to or abutting elements having electrical conductivity.

5

-----

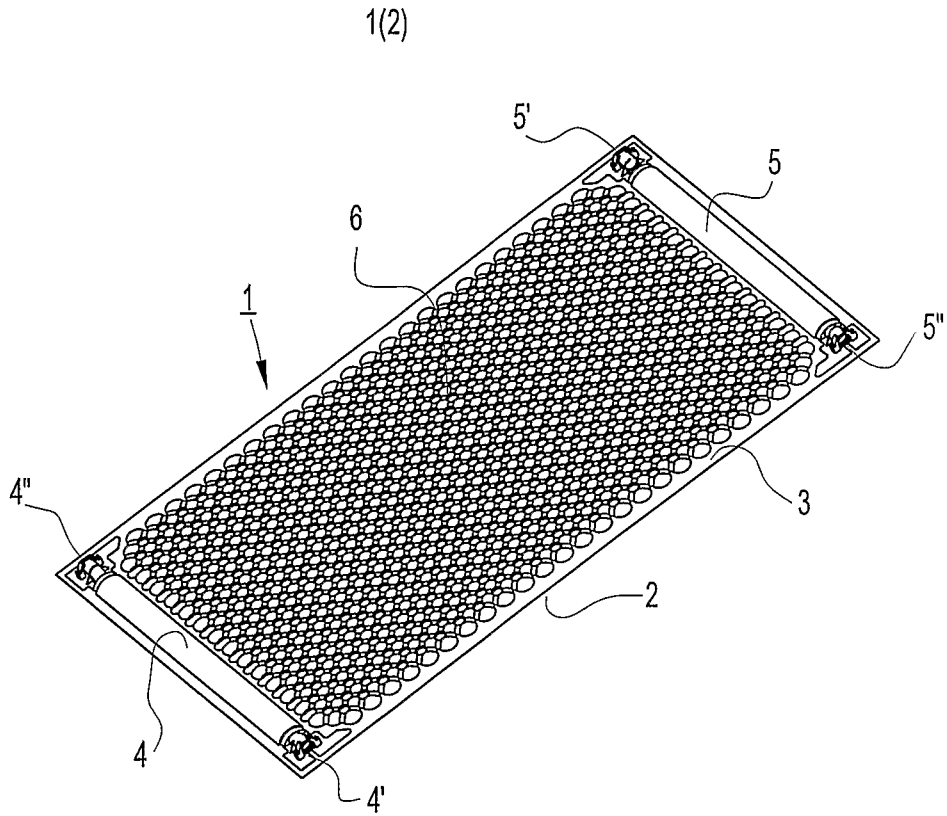


Fig. 1

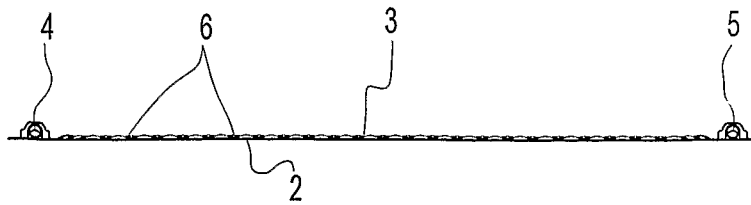


Fig. 2

2 (2)

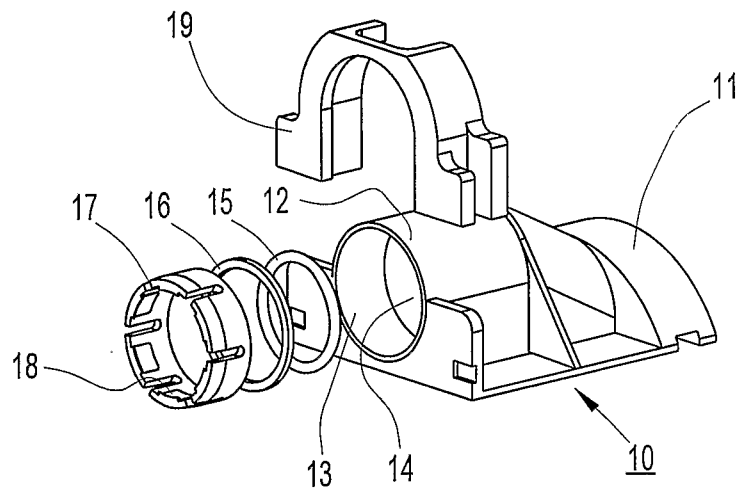


Fig. 3

## INTERNATIONAL SEARCH REPORT

International application No.

PCT/SE2009/051051

A. CLASSIFICATION OF SUBJECT MATTER		
IPC: see extra sheet According to International Patent Classification (IPC) or to both national classification and IPC		
B. FIELDS SEARCHED		
Minimum documentation searched (classification system followed by classification symbols)		
IPC: F28D, F24J, F28F		
Documentation searched other than minimum documentation to the extent that such documents are included in the fields searched		
SE,DK,FI,NO classes as above		
Electronic data base consulted during the international search (name of data base and, where practicable, search terms used)		
EPO-INTERNAL, WPI DATA, PAJ		
C. DOCUMENTS CONSIDERED TO BE RELEVANT		
Category*	Citation of document, with indication, where appropriate, of the relevant passages	Relevant to claim No.
A	US 4625794 A (F. DÜRST), 2 December 1986 (02.12.1986), column 2, line 63 - column 3, line 56, figures 9-10, abstract --	1-16
A	US 4243020 A (T.P. MIER), 6 January 1981 (06.01.1981), column 1, line 1 - line 12; column 3, line 20 - line 39; column 4, line 8 - line 38, figures 2-3, abstract --	1-16
A	US 6340053 B1 (A.K. WU ET AL), 22 January 2002 (22.01.2002), abstract --	1-16
<input checked="" type="checkbox"/> Further documents are listed in the continuation of Box C. <input checked="" type="checkbox"/> See patent family annex.		
* Special categories of cited documents: "A" document defining the general state of the art which is not considered to be of particular relevance "E" earlier application or patent but published on or after the international filing date "L" document which may throw doubts on priority claim(s) or which is cited to establish the publication date of another citation or other special reason (as specified) "O" document referring to an oral disclosure, use, exhibition or other means "P" document published prior to the international filing date but later than the priority date claimed "T" later document published after the international filing date or priority date and not in conflict with the application but cited to understand the principle or theory underlying the invention "X" document of particular relevance: the claimed invention cannot be considered novel or cannot be considered to involve an inventive step when the document is taken alone "Y" document of particular relevance: the claimed invention cannot be considered to involve an inventive step when the document is combined with one or more other such documents, such combination being obvious to a person skilled in the art "&" document member of the same patent family		
Date of the actual completion of the international search 25 January 2010		Date of mailing of the international search report 28 -01- 2010
Name and mailing address of the ISA/ Swedish Patent Office Box 5055, S-102 42 STOCKHOLM Facsimile No. +46 8 666 02 86		Authorized officer  Dimitris Giannoccaro / MRo Telephone No. +46 8 782 25 00

INTERNATIONAL SEARCH REPORT

International application No.

PCT/SE2009/051051

C (Continuation). DOCUMENTS CONSIDERED TO BE RELEVANT

Category*	Citation of document, with indication, where appropriate, of the relevant passages	Relevant to claim No.
A	US 20030192682 A1 (A. LOWENSTEIN ET AL), 16 October 2003 (16.10.2003), abstract  -----  -----	1-16

INTERNATIONAL SEARCH REPORT

International application No.  
PCT/SE2009/051051

International patent classification (IPC)

**F28D 9/00** (2006.01)  
**F24J 2/20** (2006.01)  
**F28F 21/06** (2006.01)

**Download your patent documents at [www.prv.se](http://www.prv.se)**

The cited patent documents can be downloaded:

- From "Cited documents" found under our online services at [www.prv.se](http://www.prv.se) (English version)
- From "Anförda dokument" found under "e-tjänster" at [www.prv.se](http://www.prv.se) (Swedish version)

Use the application number as username. The password is **GNDOVNOTNK**.

Paper copies can be ordered at a cost of 50 SEK per copy from PRV InterPat (telephone number 08-782 28 85).

Cited literature, if any, will be enclosed in paper form.

**INTERNATIONAL SEARCH REPORT**  
Information on patent family members

International application No.  
PCT/SE2009/051051

US	4625794	A	02/12/1986	CH	662642 A	15/10/1987
				EP	0136612 A	02/04/1986
				ES	8506397 A	01/11/1985
				JP	60093294 A	25/05/1985
-----						
US	4243020	A	06/01/1981	NONE		
-----						
US	6340053	B1	22/01/2002	AT	265664 T	15/05/2004
				AT	265665 T	15/05/2004
				AT	278927 T	15/10/2004
				AU	747036 B	09/05/2002
				AU	747149 B	09/05/2002
				AU	748688 B	13/06/2002
				AU	2528400 A	25/08/2000
				AU	2528500 A	25/08/2000
				AU	2652500 A	25/08/2000
				BR	0008007 A	20/11/2001
				CA	2260890 A	05/08/2000
				DE	60010226 D,T	19/05/2005
				DE	60010227 D,T	25/05/2005
				DE	60014580 D,T	13/10/2005
				EP	1149264 A,B	28/04/2004
				SE	1149264 T3	
				EP	1149265 A,B	28/04/2004
				SE	1149265 T3	
				EP	1149266 A,B	06/10/2004
				SE	1149266 T3	
				ES	2219304 T	01/12/2004
				ES	2219305 T	01/12/2004
				JP	3524063 B	26/04/2004
				JP	3524064 B	26/04/2004
				JP	3524065 B	26/04/2004
				JP	2002536620 T	29/10/2002
				JP	2002536621 T	29/10/2002
				JP	2002536622 T	29/10/2002
				US	6199626 B	13/03/2001
				US	6244334 B	12/06/2001
				WO	0046562 A	10/08/2000
				WO	0046563 A	10/08/2000
				WO	0046564 A	10/08/2000
-----						
US	20030192682	A1	16/10/2003	NONE		
-----						