



US00D370711S

United States Patent [19]

[11] **Patent Number: Des. 370,711**

Serenko et al.

[45] **Date of Patent: **Jun. 11, 1996**

[54] **WATER FILTER CARTRIDGE**

[75] Inventors: **Paul Serenko**, Allenford; **Jim Reading**, Paris; **Gerry Morgenroth**, Pickering; **Roy Matsushita**, Sunderland, all of Canada

D. 308,092	5/1990	Geneve et al.	D23/209
D. 312,863	12/1990	Hankammer	D23/209
D. 315,779	3/1991	Strand et al.	D23/209
D. 320,640	10/1991	Goodwin	D23/209
4,895,648	1/1990	Hankammer	210/232 X
5,128,034	7/1992	Kool	210/232

[73] Assignee: **Matscorp Ltd.**, Markham, Canada

Primary Examiner—A. Hugo Word
Assistant Examiner—Cynthia E. Ramirez
Attorney, Agent, or Firm—Patrick J. Hofbauer

[**] Term: **14 Years**

[21] Appl. No.: **36,969**

[57] CLAIM

[22] Filed: **Mar. 31, 1995**

The ornamental design for a water filter cartridge, as shown.

[52] **U.S. Cl.** **D23/207**

DESCRIPTION

[58] **Field of Search** D23/207, 208,
D23/209, 210; 210/438, 234, 282, 136,
440, 444, 460, 432, 238, 292

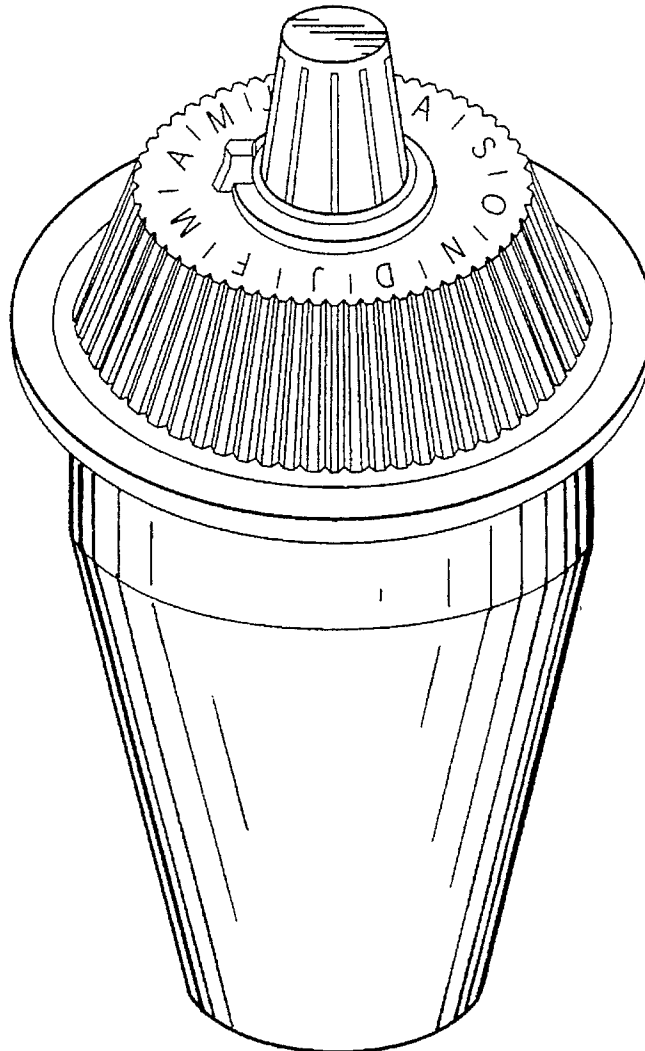
FIG. 1 is a perspective view embodying our design;
FIG. 2 is a side elevational view embodying our design;
FIG. 3 is a top plan view embodying our design; and,
FIG. 4 is a bottom plan view embodying our design.

[56] References Cited

U.S. PATENT DOCUMENTS

D. 273,033 3/1984 Sangster et al. D23/207

1 Claim, 1 Drawing Sheet



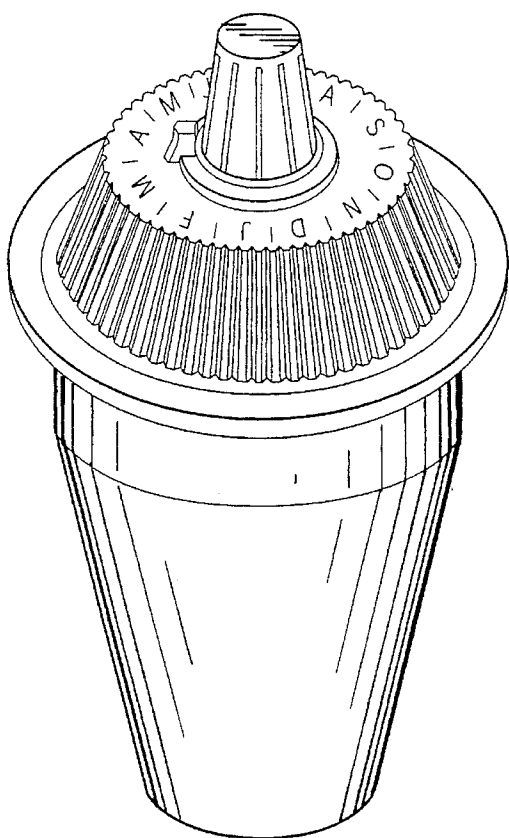


FIG. 1

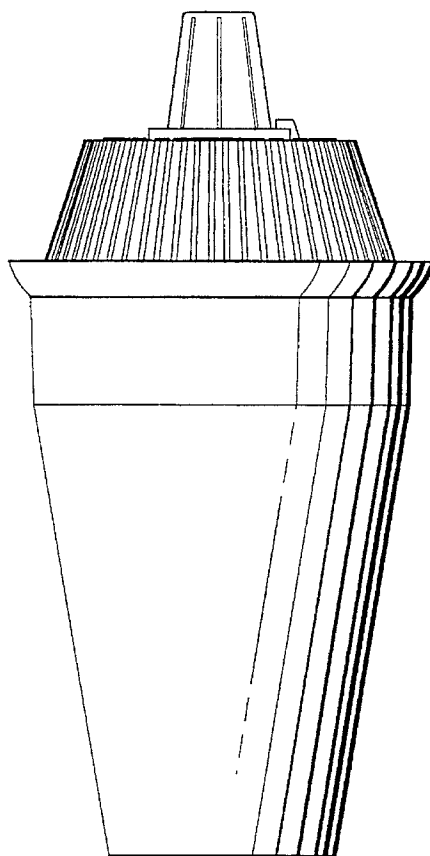


FIG. 2

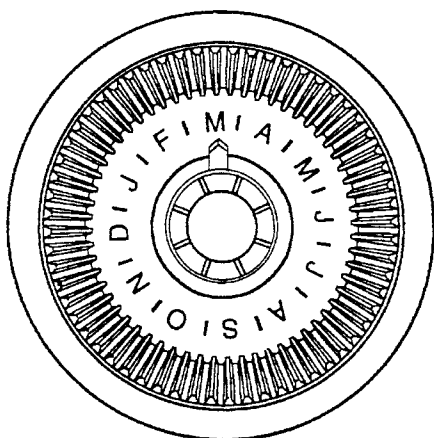


FIG. 3

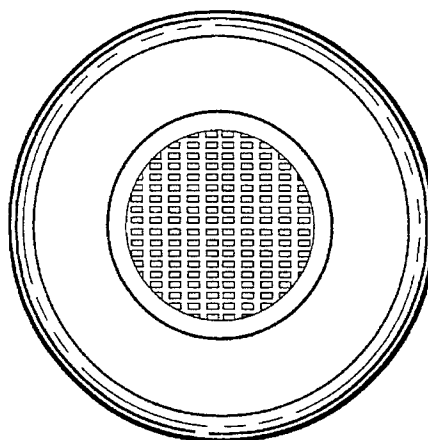


FIG. 4