



US00D762941S

(12) **United States Design Patent**
Locker

(10) **Patent No.:** **US D762,941 S**

(45) **Date of Patent:** **** Aug. 9, 2016**

(54) **CHOCOLATE BAR**

(71) Applicant: **A. LOCKER—S.P.A.**, Auna di Sotto
Renon (BZ) (IT)

(72) Inventor: **Andreas Locker**, Bozen (IT)

(73) Assignee: **A. Locker—S.P.A.**, Renon (IT)

(**) Term: **14 Years**

(21) Appl. No.: **29/493,679**

(22) Filed: **Jun. 12, 2014**

(30) **Foreign Application Priority Data**

Mar. 26, 2014 (EM) 2432989

(51) **LOC (10) Cl.** **01-01**

(52) **U.S. Cl.**

USPC **D1/121**; D1/127

(58) **Field of Classification Search**

USPC D1/100–130, 199; 426/5, 104, 249,
426/275, 660; D24/101–104; 273/429;
D9/707; D28/8.1; D14/433; D7/354,
D7/359, 391, 672; D15/90; D23/366;
D25/138

CPC A23G 3/54; A23G 4/20; A23G 3/343;
A23G 3/36; A23G 3/28; A61K 9/2072;
A61K 9/2095

See application file for complete search history.

(56) **References Cited**

U.S. PATENT DOCUMENTS

D56,913 S * 1/1921 Edgerton D1/100
D90,687 S * 9/1933 Sherrill D1/121
D90,688 S * 9/1933 Sherrill D1/121
2,198,726 A * 4/1940 Shwom A23G 1/54
426/306
2,705,203 A * 3/1955 Heidrich B65B 25/06
206/525
4,215,104 A * 7/1980 Ullman A61K 9/2072
424/467
4,455,320 A * 6/1984 Symmis A23G 1/205
101/32

D291,242 S * 8/1987 Harden D1/199
6,312,743 B1 * 11/2001 Blaschke A21D 6/001
426/128
D459,053 S * 6/2002 Wolff D1/127
D471,693 S * 3/2003 Wolff D1/127
D497,466 S * 10/2004 Van De Wal D1/127
D526,112 S * 8/2006 Martin D1/114
D591,927 S * 5/2009 Wilson D1/127
D593,276 S * 6/2009 Kaiser D1/127
D594,181 S * 6/2009 Wilson D1/127
D663,096 S * 7/2012 Grolimund D1/127
D665,556 S * 8/2012 Afchain D1/127
D677,259 S * 3/2013 van der Lande D14/433
D719,719 S * 12/2014 Grolimund D1/127
D744,192 S * 12/2015 Cole D1/121
D748,769 S * 2/2016 Hanna D23/366

OTHER PUBLICATIONS

Key A. "Cadbury Dairy Milk with D'aim Bar Review." Key's Snack Reviews. Sep. 14, 2013. Web. Mar. 18, 2016. <<http://keyssnackreviews.blogspot.com/2013/09/cadbury-dairy-milk-with-daim-milka-review.html>>.*

* cited by examiner

Primary Examiner — Garth Rademaker

Assistant Examiner — Katie S Mroczka

(74) *Attorney, Agent, or Firm* — Laurence A. Greenberg;
Werner H. Stemer; Ralph E. Locher

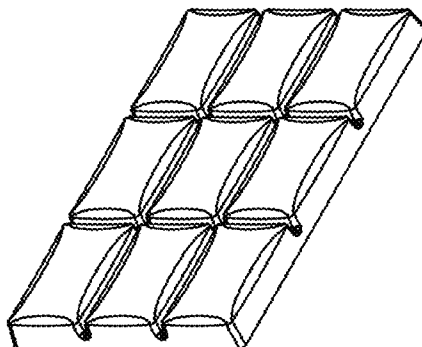
(57) **CLAIM**

The ornamental design for a chocolate bar, as shown and described.

DESCRIPTION

FIG. 1 is a perspective view of a chocolate bar showing my new design;
FIG. 2 is a front elevation view thereof;
FIG. 3 is a left side elevation view thereof;
FIG. 4 is a right side elevation view thereof;
FIG. 5 is a top plan view thereof;
FIG. 6 is a rear elevation view thereof; and,
FIG. 7 is a bottom plan view thereof.

1 Claim, 3 Drawing Sheets



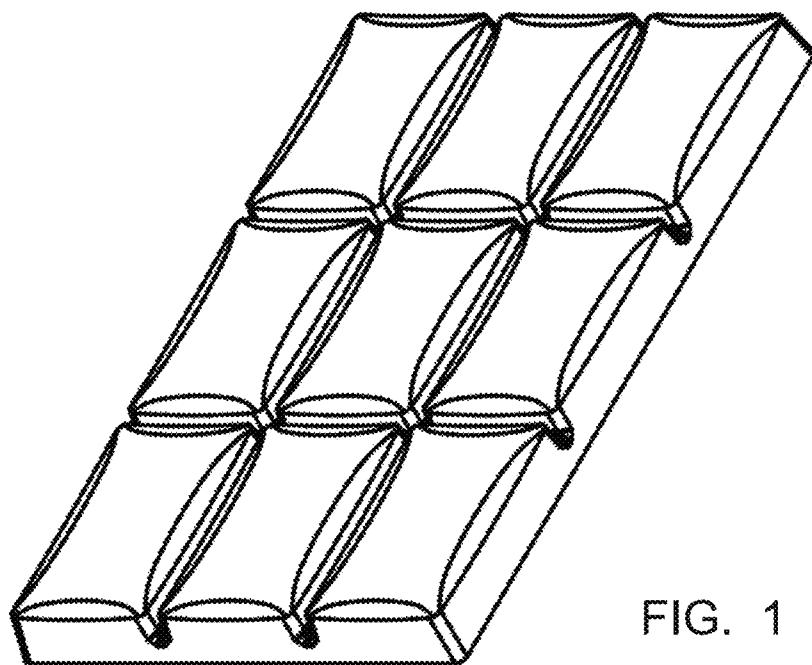


FIG. 1



FIG. 2



FIG. 3



FIG. 4

FIG. 5

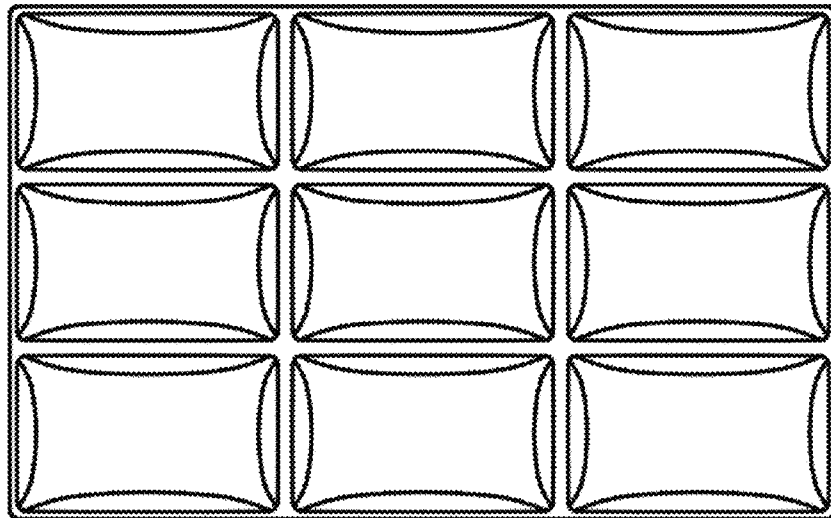




FIG. 6

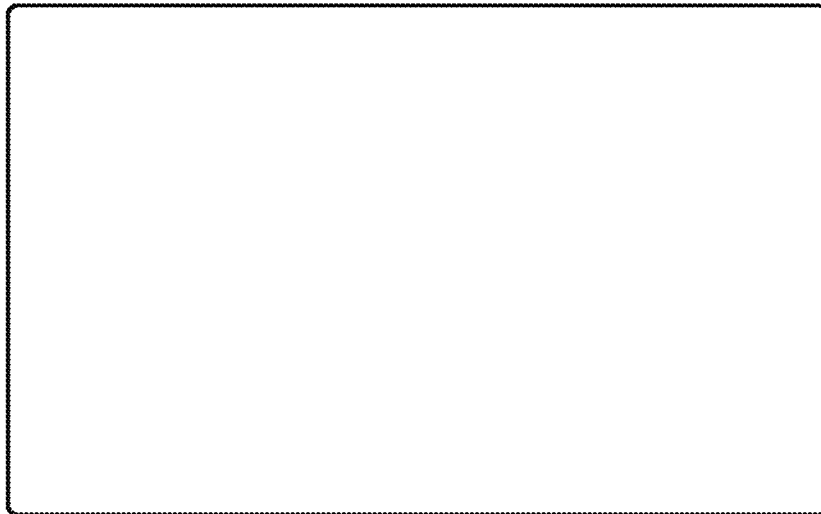


FIG. 7