



US00D976211S

(12) **United States Design Patent**
Wada

(10) **Patent No.:** **US D976,211 S**
(45) **Date of Patent:** **** Jan. 24, 2023**

(54) **AUTOMOTIVE CHARGING CONNECTOR CAP**

FOREIGN PATENT DOCUMENTS

(71) Applicant: **SUMITOMO WIRING SYSTEMS, LTD.**, Mie-Ken (JP)

JP	D1613043 S	9/2018
JP	D1613044 S	9/2018
JP	D1613045 S	9/2018
JP	D1613502 S	9/2018

(72) Inventor: **Yuki Wada**, Yokkaichi (JP)

* cited by examiner

(73) Assignee: **Sumitomo Wiring Systems, Ltd.**, Mie-Ken (JP)

Primary Examiner — Jennifer O King
(74) *Attorney, Agent, or Firm* — Grogan, Tuccillo & Vanderleeden, LLP

(**) Term: **15 Years**

(21) Appl. No.: **29/715,593**

(57) **CLAIM**

(22) Filed: **Dec. 3, 2019**

The ornamental design for an automotive charging connector cap, as shown and described.

(30) **Foreign Application Priority Data**

DESCRIPTION

Jun. 5, 2019 (JP) 2019-012339

(51) **LOC (14) Cl.** **13-03**

(52) **U.S. Cl.**
USPC **D13/120; D13/156**

(58) **Field of Classification Search**
USPC D13/103, 104, 107, 108, 110, 119, 120,
D13/146, 149, 184, 199
CPC .. H01M 220/20; H01M 10/48; H01M 50/561;
H01M 50/20; B60R 16/04
See application file for complete search history.

FIG. 1 is a front, top and right side perspective view of an automotive charging connector cap showing my new design; FIG. 2 is a front view thereof; FIG. 3 is a rear view thereof; FIG. 4 is a top plan view thereof; FIG. 5 is a bottom plan view thereof; FIG. 6 is a right side view thereof; FIG. 7 is a left side view thereof; FIG. 8 is a cross sectional view taken along line 8-8 in FIG. 2; FIG. 9 is an enlarged front view without a strap thereof; FIG. 10 is an enlarged bottom plan view showing the state in which a strap is removed; FIG. 11 is an enlarged left side view showing the state in which a strap is removed; and, FIG. 12 is an exploded perspective view thereof. The broken lines illustrate portions of the automotive charging connector cap that form no part of the claimed design. The dash-dotted lines denote the boundary of the claim and form no part of the claimed design.

(56) **References Cited**

U.S. PATENT DOCUMENTS

D602,433 S *	10/2009	Katou	D13/120
D765,606 S *	9/2016	Hack	D13/156
D864,067 S *	10/2019	Kito	D12/197
D864,825 S *	10/2019	Kito	D12/197
D864,826 S *	10/2019	Kito	D12/197
D876,303 S *	2/2020	Kito	D12/197
D876,304 S *	2/2020	Kito	D12/197
D950,493 S *	5/2022	Wada	D13/120

1 Claim, 10 Drawing Sheets

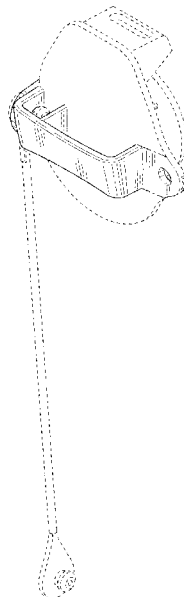


FIG. 1

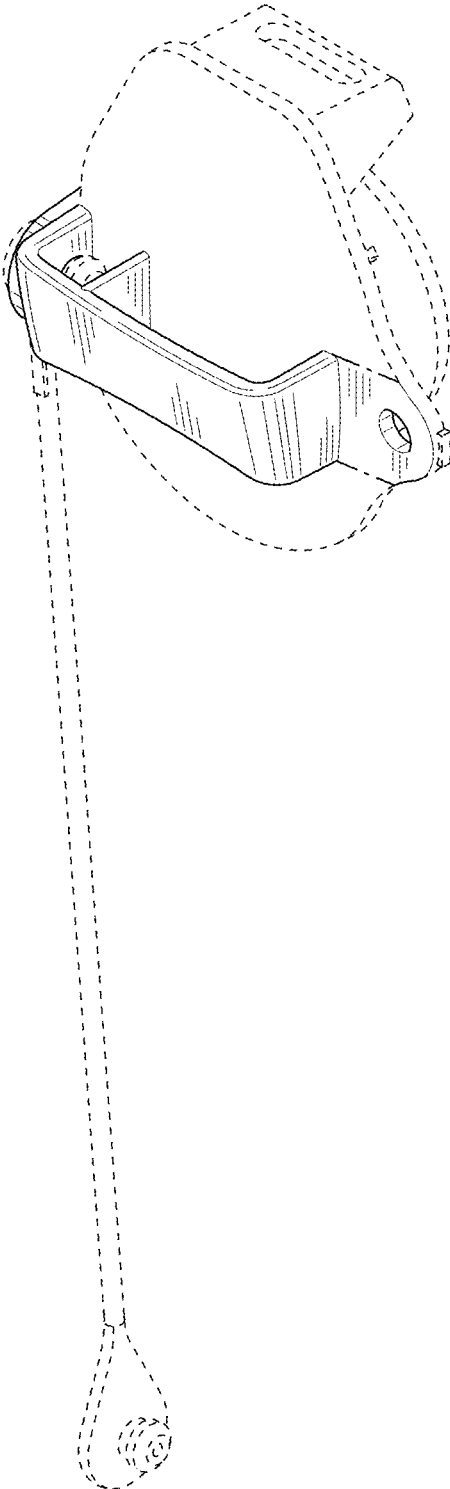


FIG. 2

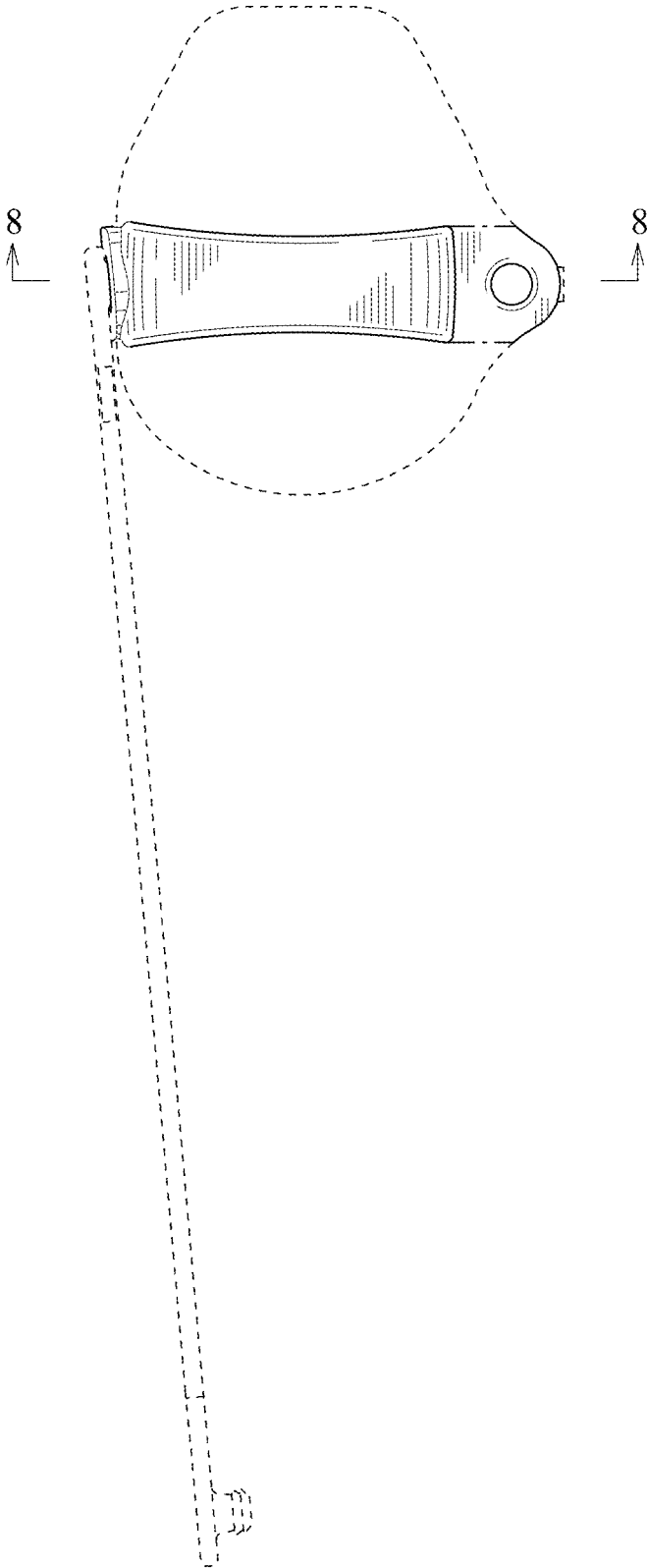


FIG. 3

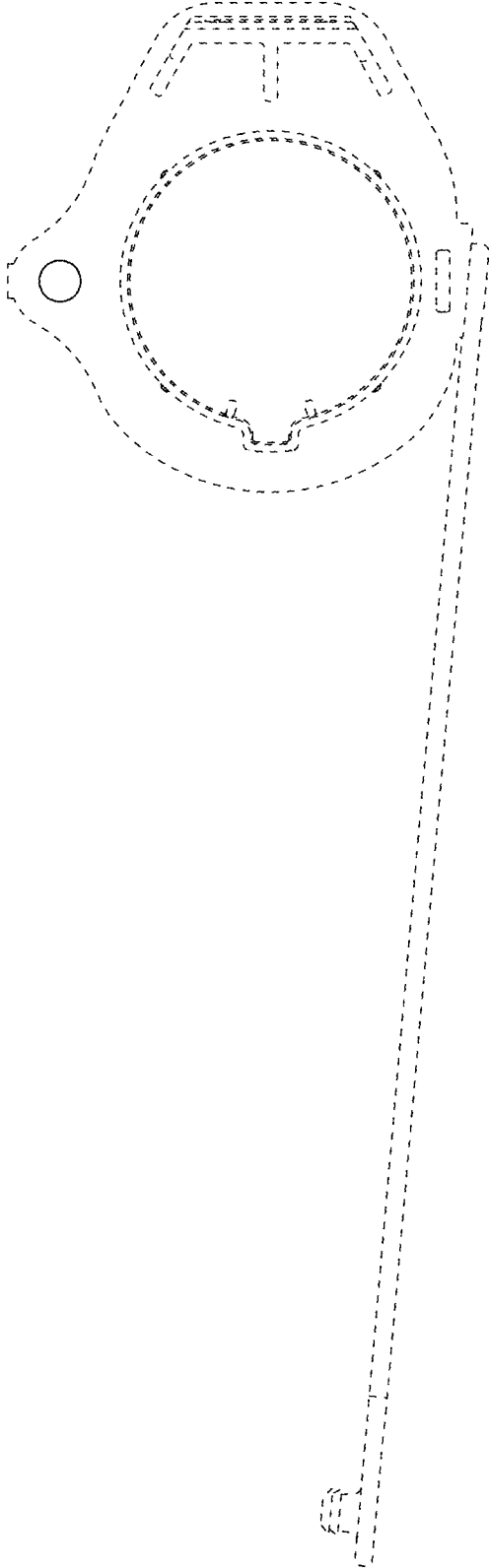


FIG. 4

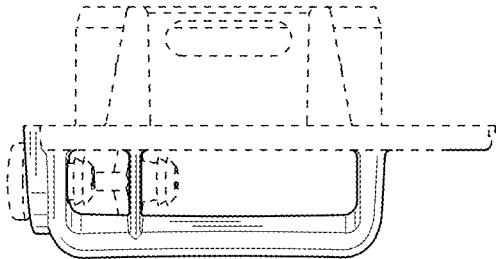


FIG. 5

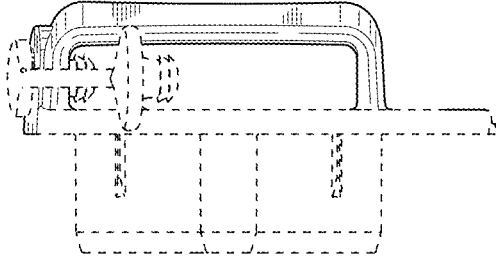


FIG. 6

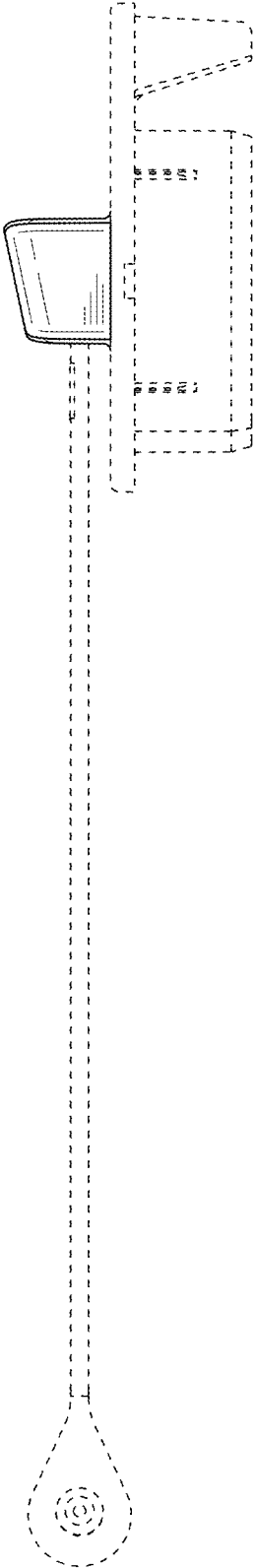


FIG. 7

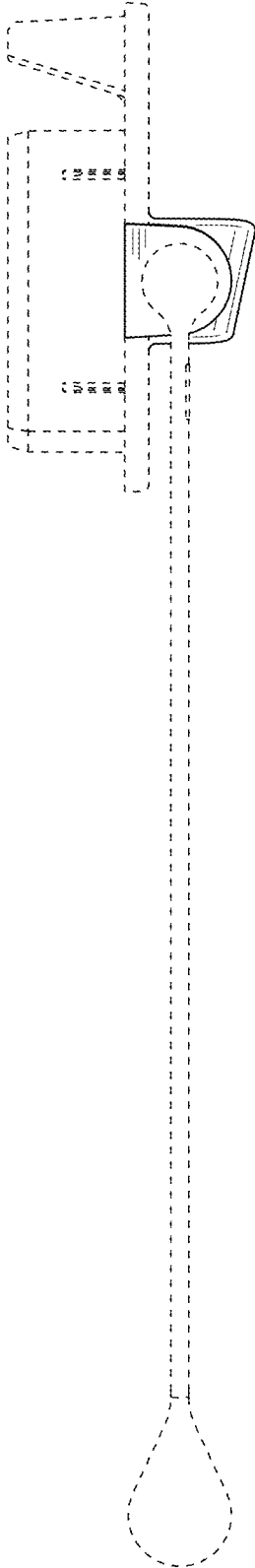


FIG. 8

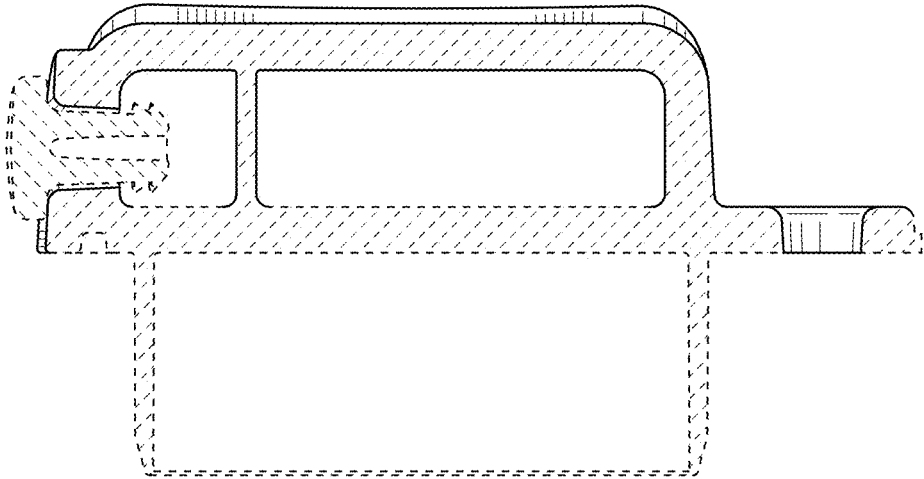


FIG. 9

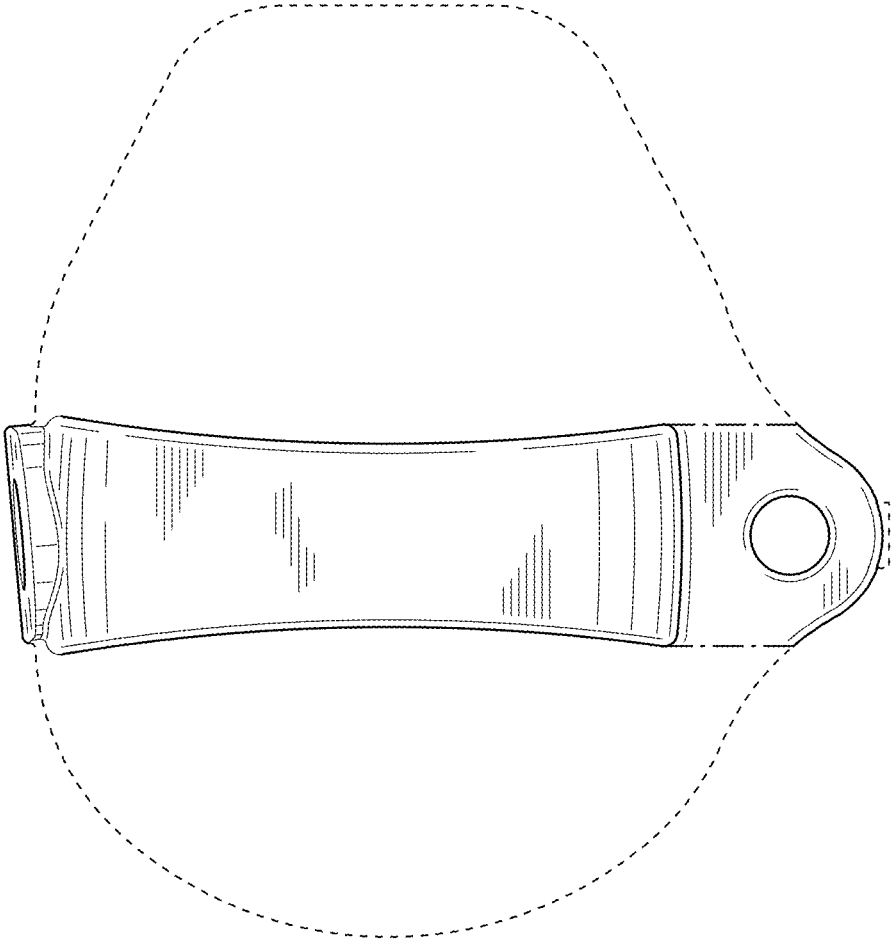


FIG. 10

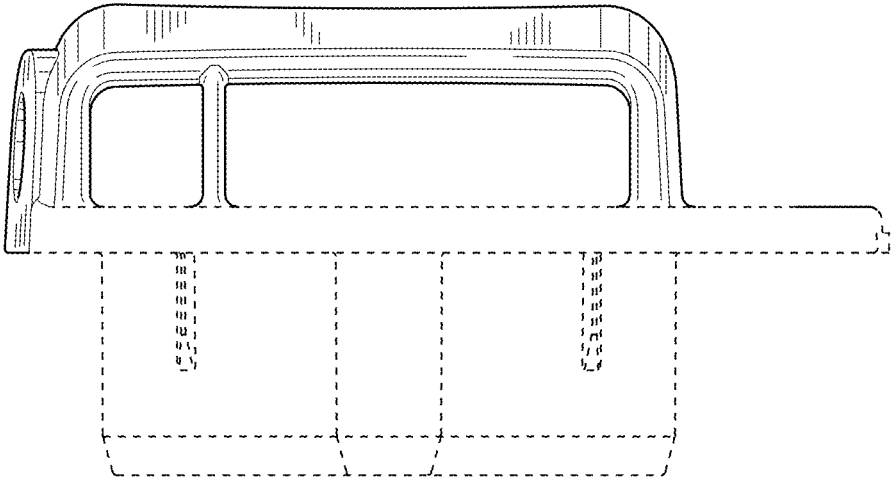


FIG. 11

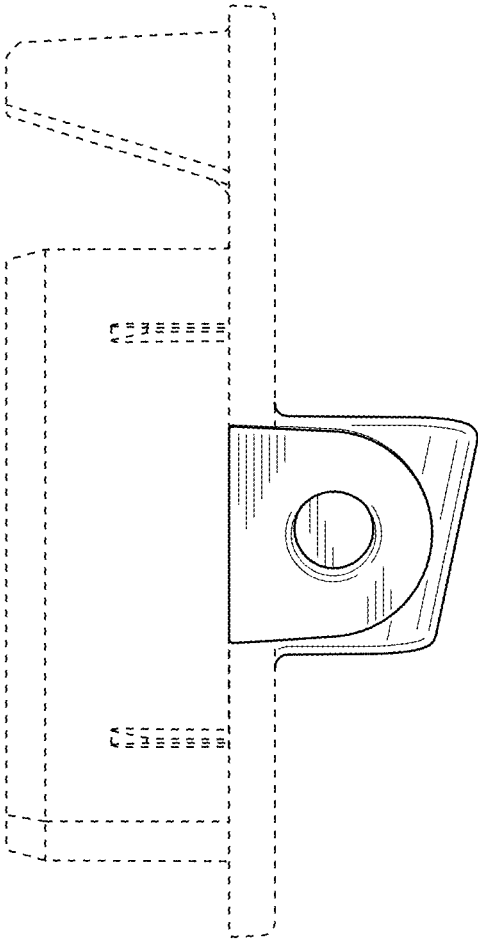


FIG. 12

