



US00D643290S

(12) **United States Design Patent**
Braun et al.

(10) **Patent No.:** **US D643,290 S**

(45) **Date of Patent:** **** Aug. 16, 2011**

(54) **CONTAINER**

(75) Inventors: **Jason A. Braun**, Lake Hiawatha, NJ
(US); **Farhad Alibhai**, Toronto (CA);
Derek J. Romeo, Ridgewood, NJ (US);
Mark J. Ramundo, Waldwick, NJ (US)

(73) Assignee: **Kraft Foods Global Brands LLC**,
Northfield, IL (US)

(**) Term: **14 Years**

(21) Appl. No.: **29/385,714**

(22) Filed: **Feb. 18, 2011**

Related U.S. Application Data

(60) Division of application No. 29/357,740, filed on Mar. 16, 2010, now Pat. No. Des. 635,458, which is a continuation-in-part of application No. 29/339,545, filed on Jul. 1, 2009, now Pat. No. Des. 614,034.

(51) **LOC (9) Cl.** **09-01**

(52) **U.S. Cl.** **D9/500; D9/516; D9/537**

(58) **Field of Classification Search** D9/500,
D9/502, 516, 520, 530, 537-540, 545, 546,
D9/549, 551, 556, 558, 564, 574, 575; 215/379,
215/381-385; 220/600, 608, 660, 669, 675
See application file for complete search history.

(56) **References Cited**

U.S. PATENT DOCUMENTS

- D21,711 S 7/1892 Mott
- D32,283 S 2/1900 Farnan
- D63,326 S 11/1923 Root
- D65,143 S 7/1924 Sanford
- D77,618 S 1/1929 Mas
- D177,263 S 3/1956 Kilmon
- D188,817 S 9/1960 Whither et al.
- D193,031 S 6/1962 Hills
- D196,389 S 9/1963 Mason et al.

- 3,144,152 A 8/1964 Kopp
 - D200,013 S 1/1965 Lorenzen
 - D205,802 S 9/1966 Pettengill
 - D210,571 S 3/1968 Vanderhyde
 - D211,509 S 6/1968 Vanderhyde
 - D213,421 S 3/1969 Leary
 - D214,425 S 6/1969 Vanderhyde
 - D218,020 S 7/1970 Musson
 - D222,125 S * 10/1971 Roberts D9/556
 - D225,510 S 12/1972 Strand
 - D236,433 S 8/1975 Strand
 - D237,586 S 11/1975 Plummer
 - D239,816 S 5/1976 Thomson et al.
 - D242,527 S 11/1976 Plummer
 - D242,691 S 12/1976 Koenigsberg
- (Continued)

FOREIGN PATENT DOCUMENTS

JP 2000043874 2/2000
(Continued)

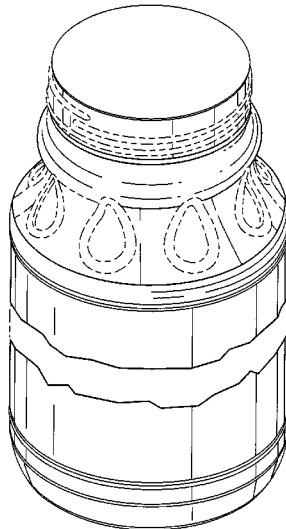
Primary Examiner — Stella Reid
Assistant Examiner — Elizabeth J Oswecki
(74) *Attorney, Agent, or Firm* — Fitch, Even, Tabin & Flannery

(57) **CLAIM**
The ornamental design for a container, as shown and described.

DESCRIPTION

FIG. 1 is a perspective view of a container showing our new design;
FIG. 2 is a front elevation view thereof, the rear, left side, and right side being an identical image;
FIG. 3 is a bottom plan view thereof; and,
FIG. 4 is a top plan view thereof.
Portions of the container shown in broken lines in the figures are for illustrative purposes only and form no part of the claimed design.

1 Claim, 3 Drawing Sheets



US D643,290 S

U.S. PATENT DOCUMENTS			
4,108,324 A *	8/1978	Krishnakumar et al.	215/373
D284,550 S	7/1986	Parrack	
4,610,366 A	9/1986	Estes et al.	
D295,372 S	4/1988	Klette et al.	
D295,377 S	4/1988	Rogler et al.	
D295,378 S	4/1988	Rogler	
D295,379 S	4/1988	Rogler et al.	
D309,711 S *	8/1990	Biesecker	D9/500
D315,678 S	3/1991	Darr	
D316,968 S	5/1991	York	
D320,154 S	9/1991	Alberghini et al.	
5,067,622 A	11/1991	Garver et al.	
D322,562 S	12/1991	Narsutis	
5,156,285 A	10/1992	Zogg et al.	
5,158,190 A	10/1992	Sosenko	
D331,880 S	12/1992	Wegner, IV et al.	
D332,751 S	1/1993	Pischulti et al.	
5,224,614 A	7/1993	Bono et al.	
D338,832 S *	8/1993	Osip et al.	D9/502
5,232,108 A	8/1993	Nakamura	
5,234,126 A *	8/1993	Jonas et al.	220/609
5,261,543 A	11/1993	Ugarelli	
D345,503 S	3/1994	Murphy	
D346,556 S	5/1994	Sirico et al.	
5,310,068 A	5/1994	Saghri	
D347,793 S	6/1994	Wegner, IV et al.	
D374,826 S	10/1996	Mackinson et al.	
D376,760 S	12/1996	Sykes	
5,593,056 A	1/1997	Mero et al.	
D379,930 S	6/1997	Gobe	
D380,671 S	7/1997	Young	
D380,685 S	7/1997	Steih	
D381,271 S *	7/1997	Paoloski	D9/530
D387,284 S	12/1997	Briggs et al.	
D390,471 S	2/1998	Ito	
5,732,838 A	3/1998	Young	
5,758,790 A	6/1998	Ewing, Jr.	
5,785,197 A	7/1998	Slat	
5,803,290 A	9/1998	Bongiorno	
D401,856 S	12/1998	Daniels et al.	
D409,091 S	5/1999	Beaver et al.	
5,931,323 A	8/1999	Wilkinson et al.	
D414,417 S	9/1999	Alt	
D414,699 S	10/1999	Alt	
D415,028 S	10/1999	Kuzma et al.	
5,988,417 A	11/1999	Cheng et al.	
6,016,932 A	1/2000	Gaydosh et al.	
D427,067 S *	6/2000	Miller et al.	D9/434
D431,465 S	10/2000	Cheng et al.	
6,164,474 A	12/2000	Cheng et al.	
D439,166 S	3/2001	Denner et al.	
D439,167 S	3/2001	Lichtman et al.	
D440,157 S	4/2001	Lichtman et al.	
D440,158 S	4/2001	Bretz et al.	
6,213,326 B1	4/2001	Denner et al.	
D441,294 S	5/2001	Lichtman et al.	
D445,689 S	7/2001	McCutchan	
D447,411 S	9/2001	Lichtman et al.	
D447,690 S	9/2001	Lichtman et al.	
D448,292 S	9/2001	Lichtman et al.	
D448,293 S	9/2001	Bretz et al.	
D448,664 S	10/2001	Lichtman et al.	
D449,539 S	10/2001	Lakatosh et al.	
D450,246 S	11/2001	Heisel et al.	
D450,248 S	11/2001	Ogg	
D450,588 S *	11/2001	Lane et al.	D9/500
D451,026 S	11/2001	Heisel et al.	
D454,790 S *	3/2002	Crawford	D9/553
6,354,458 B1	3/2002	Policappelli	
D461,418 S	8/2002	Lichtman et al.	
D462,013 S	8/2002	Izuka et al.	
6,472,007 B2	10/2002	Bezek et al.	
D467,813 S	12/2002	Silvers et al.	
6,520,362 B2	2/2003	Heisel et al.	
D476,234 S	6/2003	Steele, IV et al.	
D476,575 S	7/2003	Steele, IV et al.	
D477,226 S	7/2003	Chirico et al.	
6,595,480 B1 *	7/2003	Orlick	248/346.01
D480,310 S	10/2003	Yourist	
6,659,300 B2	12/2003	Wurster et al.	
6,662,960 B2	12/2003	Hong et al.	
6,662,961 B2	12/2003	Yourist	
6,666,001 B2	12/2003	Mero	
D485,496 S	1/2004	Steele, IV et al.	
D485,497 S	1/2004	Steele, IV et al.	
D486,069 S	2/2004	Steele, IV et al.	
D487,228 S	3/2004	Heisner et al.	
D488,719 S	4/2004	Evans et al.	
D489,625 S	5/2004	Steele, IV et al.	
D491,812 S	6/2004	Eberle et al.	
D495,602 S	9/2004	Daly et al.	
D496,264 S	9/2004	Eaton et al.	
6,814,248 B2	11/2004	Beck et al.	
6,830,158 B2	12/2004	Yourist	
D501,400 S	2/2005	Bretz et al.	
D503,343 S	3/2005	Canino	
D503,344 S	3/2005	Woolley et al.	
D503,885 S	4/2005	Bretz et al.	
D504,069 S	4/2005	Gross et al.	
D504,618 S	5/2005	Bretz et al.	
D505,077 S	5/2005	Piccioli et al.	
D505,333 S	5/2005	Bretz et al.	
D505,334 S	5/2005	Bretz et al.	
D505,621 S	5/2005	Bretz et al.	
D506,677 S	6/2005	Bretz et al.	
D507,492 S	7/2005	Bretz et al.	
D507,609 S	7/2005	Bretz et al.	
D507,610 S	7/2005	Bretz et al.	
6,923,334 B2	8/2005	Melrose et al.	
D509,734 S	9/2005	Bretz et al.	
D510,026 S	9/2005	Nelson et al.	
D510,273 S	10/2005	Bretz et al.	
D510,526 S	10/2005	Bretz et al.	
D510,706 S	10/2005	Bretz et al.	
D510,862 S	10/2005	Bretz et al.	
D511,103 S	11/2005	Bretz et al.	
D512,308 S	12/2005	Bretz et al.	
D513,994 S	1/2006	Bretz et al.	
D514,938 S	2/2006	Zhang	
D515,427 S	2/2006	Schuller et al.	
D518,711 S	4/2006	Bretz et al.	
7,025,219 B2	4/2006	Heisner et al.	
D525,530 S *	7/2006	Livingston et al.	D9/538
7,118,002 B2	10/2006	Saito et al.	
D533,065 S	12/2006	Brauner et al.	
7,159,729 B2	1/2007	Sabold et al.	
D538,662 S	3/2007	Goetz et al.	
7,198,165 B2	4/2007	Zhang	
7,213,719 B2	5/2007	Pedmo et al.	
D544,349 S	6/2007	Hyde et al.	
D548,082 S	8/2007	Kingsley	
D551,083 S	9/2007	Schwarz	
7,287,658 B1	10/2007	Johnson et al.	
D555,492 S	11/2007	Lockman et al.	
D555,493 S	11/2007	Lockman et al.	
D555,497 S	11/2007	Lavelli	
D559,695 S	1/2008	Lesueur	
D567,659 S	4/2008	Gran et al.	
D568,753 S	5/2008	Woolf	
D571,661 S *	6/2008	Ulibarri	D9/500
D572,137 S	7/2008	Dimmel et al.	
D578,896 S	10/2008	Herman	
D579,339 S	10/2008	Shmagin	
D584,633 S	1/2009	Trollope et al.	
D585,281 S	1/2009	Trollope et al.	
D586,224 S	2/2009	Darr et al.	
D591,155 S	4/2009	Trollope et al.	
D591,161 S	4/2009	Trollope et al.	
D595,143 S	6/2009	Hazelton et al.	
D598,770 S	8/2009	Delfino	
D611,344 S *	3/2010	Longacre	D9/500
D614,034 S	4/2010	Braun et al.	
D617,195 S *	6/2010	Williams	D9/500
D619,457 S *	7/2010	Walsh	D9/500
D619,458 S *	7/2010	Walsh	D9/500
D619,459 S *	7/2010	Walsh	D9/500
7,780,025 B2 *	8/2010	Simpson et al.	215/376

US D643,290 S

Page 3

D623,070	S	*	9/2010	Jamison et al.	D9/658	2007/0199917	A1	8/2007	Beaver et al.
D633,794	S	*	3/2011	Cresswell et al.	D9/500	2007/0210028	A1	9/2007	Heisner et al.
2001/0037992	A1		11/2001	Tanabe et al.		2007/0257003	A1	11/2007	Colloud
2002/0070193	A1		6/2002	Mero		2008/0169266	A1	7/2008	Kamineneni
2002/0153343	A1	*	10/2002	Tobias et al.	215/375	2008/0251492	A1	10/2008	Shi
2003/0209553	A1		11/2003	Horn et al.		2008/0308522	A1	12/2008	Yeager
2005/0139572	A1		6/2005	Pedmo et al.		2009/0065468	A1	3/2009	Hata et al.
2005/0184027	A1		8/2005	Floyd et al.		2009/0166240	A1	7/2009	Scarola et al.
2005/0189314	A1		9/2005	Carbone					
2005/0211660	A1		9/2005	Galownia et al.					
2005/0211661	A1		9/2005	Galownia et al.					
2006/0065566	A1		3/2006	Steih					
2007/0012650	A1		1/2007	Eble					
2007/0062907	A1		3/2007	Heisner					
2007/0090122	A1		4/2007	Zeypang					

FOREIGN PATENT DOCUMENTS

JP	2006315693	11/2006
JP	2008007166	1/2008

* cited by examiner

FIG. 1

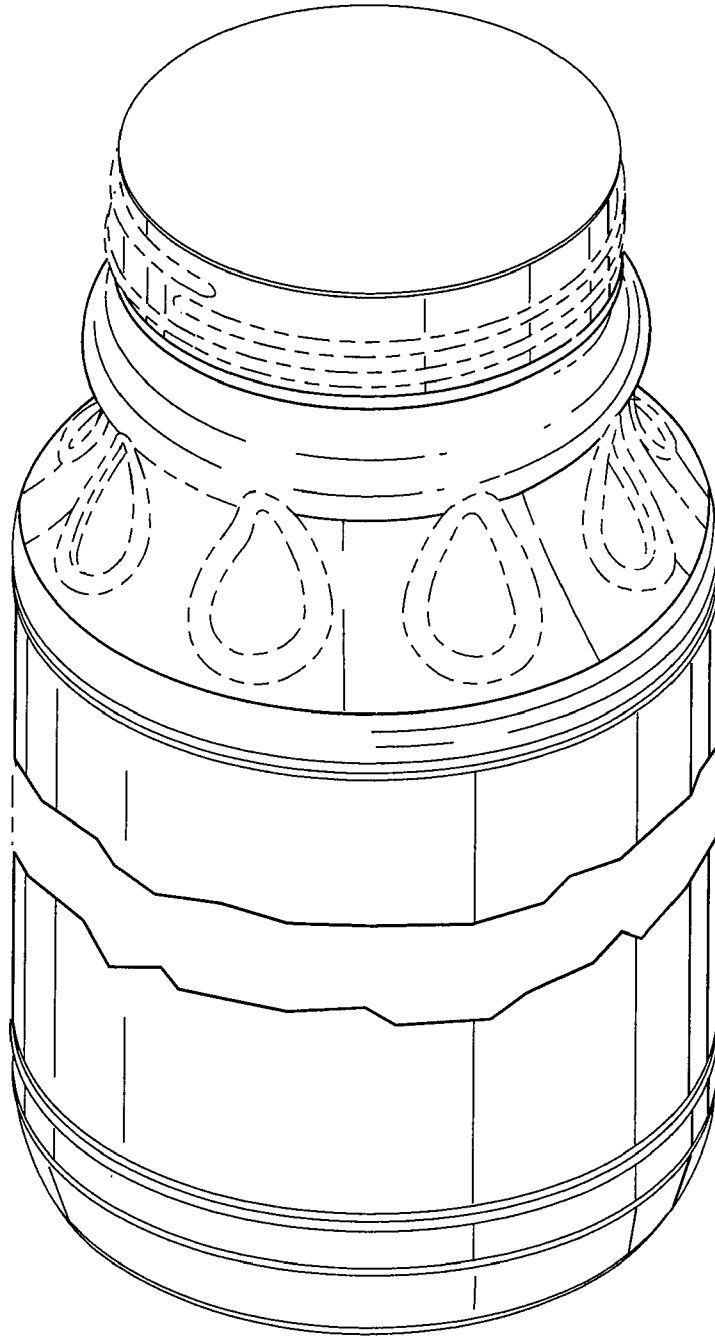


FIG. 2

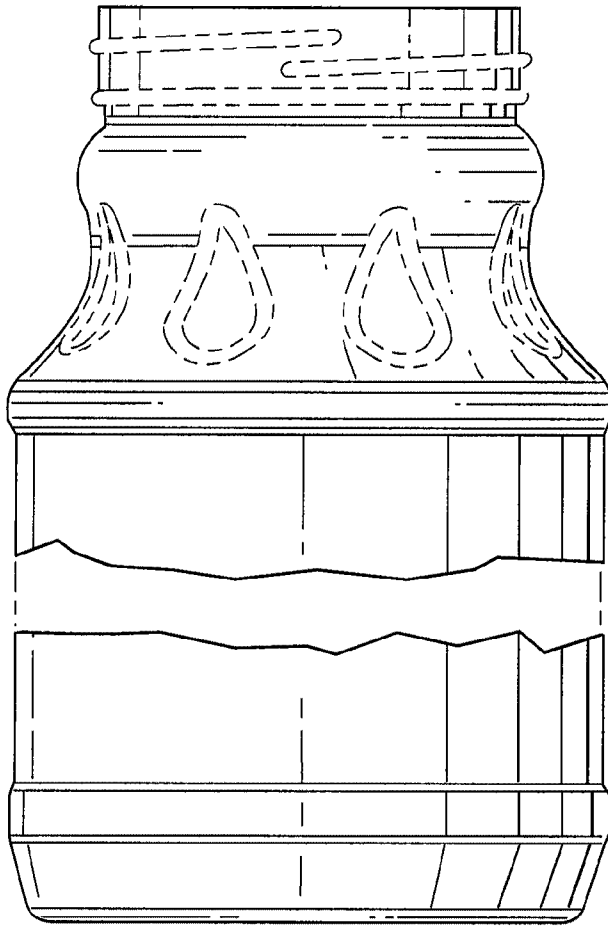


FIG. 3

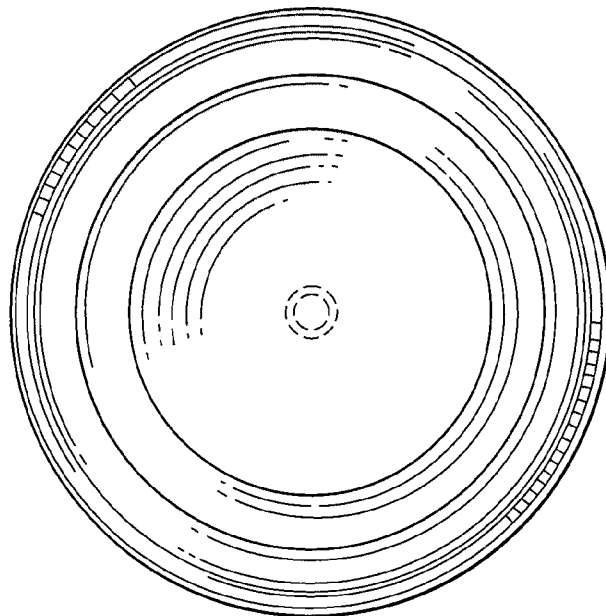


FIG. 4

