



HU000032975T2

(19) **HU**(11) Lajstromszám: **E 032 975**(13) **T2****MAGYARORSZÁG**
Szellemi Tulajdon Nemzeti Hivatala**EURÓPAI SZABADALOM**
SZÖVEGÉNEK FORDÍTÁSA(21) Magyar ügyszám: **E 15 730209**(51) Int. Cl.: **F22B 31/00** (2006.01)(22) A bejelentés napja: **2015. 05. 27.****F23C 10/10** (2006.01)**F22B 37/24** (2006.01)

(96) Az európai bejelentés bejelentési száma:

EP 20150730209

(86) A nemzetközi (PCT) bejelentési szám:

PCT/FI 15/050364

(97) Az európai bejelentés közzétételi adatai:

EP 3017248 A1 **2015. 12. 10.**

(87) A nemzetközi közzétételi szám:

(97) Az európai szabadalom megadásának meghirdetési adatai:

EP 3017248 B1 **2016. 11. 02.****WO 15185796**

(30) Elsőbbségi adatok:

20145506 **2014. 06. 03.** **FI**

(73) Jogosult(ak):

Amec Foster Wheeler Energia Oy, 02130
Espoo (FI)

(72) Feltaláló(k):

LANKINEN, Pentti, FI-78200 Varkaus (FI)
HILTUNEN, Veli-Matti, FI-79100 Leppävirta (FI)

(74) Képviselő:

Danubia Szabadalmi és Jogi Iroda Kft.,
Budapest

(54)

Fluidágyas kazán szemcseleválasztóhoz való támasztószerkezettel

Az európai szabadalom ellen, megadásának az Európai Szabadalmi Közlönyben való meghirdetésétől számított kilenc hónapon belül, felszólalást lehet benyújtani az Európai Szabadalmi Hivatalnál. (Európai Szabadalmi Egyezmény 99. cikk(1))

A fordítást a szabadalmat az 1995. évi XXXIII. törvény 84/H. §-a szerint nyújtotta be. A fordítás tartalmi helyességét a Szellemi Tulajdon Nemzeti Hivatala nem vizsgálta.

(19)



(11)

EP 3 017 248 B1

(12)

EUROPEAN PATENT SPECIFICATION

(45) Date of publication and mention of the grant of the patent:
02.11.2016 Bulletin 2016/44

(51) Int Cl.:
F22B 31/00 (2006.01) F22B 37/24 (2006.01)
F23C 10/10 (2006.01)

(21) Application number: **15730209.2**

(86) International application number:
PCT/FI2015/050364

(22) Date of filing: **27.05.2015**

(87) International publication number:
WO 2015/185796 (10.12.2015 Gazette 2015/49)

(54) **A FLUIDIZED BED BOILER WITH A SUPPORT CONSTRUCTION FOR A PARTICLE SEPARATOR**
WIRBELSCHICHTKESSEL MIT STÜTZKONSTRUKTION FÜR PARTIKELABSCHIEDER
FOUR À LIT FLUIDISÉ AYANT STRUCTURE SUPPORTANT UN SÉPARATEUR DE PARTICULES

(84) Designated Contracting States:
AL AT BE BG CH CY CZ DE DK EE ES FI FR GB GR HR HU IE IS IT LI LT LU LV MC MK MT NL NO PL PT RO RS SE SI SK SM TR

(30) Priority: **03.06.2014 FI 20145506**

(43) Date of publication of application:
11.05.2016 Bulletin 2016/19

(73) Proprietor: **Amec Foster Wheeler Energia Oy**
02130 Espoo (FI)

(72) Inventors:
• **LANKINEN, Pentti**
FI-78200 Varkaus (FI)
• **HILTUNEN, Veli-Matti**
FI-79100 Leppävirta (FI)

(74) Representative: **Genip Oy**
Heikinkatu 7
48100 Kotka (FI)

(56) References cited:
EP-B1- 0 760 071 WO-A2-2007/135238
JP-A- H0 599 402

EP 3 017 248 B1

Note: Within nine months of the publication of the mention of the grant of the European patent in the European Patent Bulletin, any person may give notice to the European Patent Office of opposition to that patent, in accordance with the Implementing Regulations. Notice of opposition shall not be deemed to have been filed until the opposition fee has been paid. (Art. 99(1) European Patent Convention).

Description

BACKGROUND OF THE INVENTION

Field of the Invention

[0001] The present invention relates to a bottom-supported fluidized bed boiler with a support construction for a particle separator in accordance with the preamble of claim 1. More particularly, the invention relates to a fluidized bed boiler, comprising a bottom-supported furnace, at least one particle separator with a support construction in gas flow connection with an upper portion of the furnace and comprising a furnace side portion, an outer portion opposite to the furnace side portion and a conical lower portion, and at least two bottom-supported downcomer pipes in fluid connection with a steam drum and adjacent the outer portion of the particle separator.

Description of related art

[0002] Fluidized bed boilers comprise a furnace for combusting fuel and at least one discharge channel connected to an upper portion of the furnace for discharging flue gas and solid particles from the furnace. Solid particles are generally separated from the flue gas in a particle separator so as to return at least a portion the particles via a return channel to a lower portion of the furnace. The return channel is often provided with a heat exchange chamber for recovering heat from the separated particles.

[0003] Particle separators used in the fluidized bed boilers are generally cyclone separators having a cylindrical upper portion and a conical lower portion. According to a conventional construction, the cylindrical upper portion has a circular cross-section, but during last two decades, polygonal cross sections, such as square or octagonal cross sections, have become more and more common. Correspondingly, the cross section of the conical lower portion can vary from circular to different polygonal shapes.

[0004] Relatively large fluidized bed boilers are generally arranged top-supported, i.e. so that the furnace and particle separator or particle separators are arranged to hang from a rigid supporting structure. Relatively small fluidized bed boilers may alternatively be arranged bottom-supported. The main difference between top-supported and bottom-supported construction is that when the boiler heats up to its operating temperature, the thermal expansion of a top-supported boiler takes place mainly downwards whereas in a bottom-supported boiler the thermal expansion takes place mainly upwards. Bottom supported boilers are generally simpler and economically more advantageous than top-supported boilers, especially in case of small fluidized bed boilers, because they do not require a separate supporting structure. A disadvantage of bottom-supported construction is that the walls have to be strong enough to carry the compress-

ion load of the structures above.

[0005] A special problem in bottom-supported fluidized bed boilers is the supporting of the particle separator. Because the bottom of the particle separator is generally at a higher level than the bottom of the furnace, the bottom of the particle separator is according to a conventional solution supported by a special support leg to the ground or founding of the boiler plant.

[0006] Patent document EP 760071 B1 discloses a bottom-supported circulating fluidized bed boiler comprising a steam drum on top of two bottom-supported downcomer pipes and a cooled rectangular cyclone separator having a common wall with the furnace and an opposite wall, or front wall, connected to the downcomer pipes. A disadvantage of this construction is that the common wall of the two units, i.e. of the furnace and the separator, has to be made especially strong to carry a large portion of the weights of the both units.

[0007] Patent document WO 2007/135238 A2 discloses a top-supported circulating fluidized bed boiler comprising a particle separator hanging from a supporting structure by the aid of a frame connected to the upper portion of the separator.

[0008] An object of the present invention is to provide a bottom-supported fluidized bed boiler with simple and reliable means for supporting the particle separator.

SUMMARY OF THE INVENTION

[0009] According to one aspect, the present invention provides a fluidized bed boiler with a support construction for a particle separator, comprising a bottom-supported furnace, at least one particle separator with a support construction in gas flow connection with an upper portion of the furnace and comprising a furnace side portion, an outer portion opposite to the furnace side portion and a conical lower portion, and at least two bottom-supported downcomer pipes in fluid connection with a steam drum and adjacent the outer portion of the particle separator. It is characteristic to the invention that the support construction comprises a frame-like supporting member surrounding at least a portion of the conical lower portion, wherein an outboard portion of the supporting member is attached to the at least two downcomer pipes to support the at least one particle separator.

[0010] The present invention provides a new solution for supporting the particle separator of a bottom-supported fluidized bed boiler by arranging a frame-like supporting member to surround the conical lower portion of the particle separator and attaching the outboard portion of the supporting member to bottom-supported downcomer pipes. The invention provides a simple and economically advantageous fluidized bed boiler where the particle separator can be installed relatively quickly and easily. There is no need to have a common wall of the separator and the furnace, or provide a special support leg between the bottom of the particle separator and the ground, or the founding, of the boiler.

[0011] According to an embodiment of the present invention, the frame-like supporting member is a closed frame which is arranged to encircle the conical lower portion of the particle separator. According to another embodiment, the supporting member is not closed, whereby it only partially encircles the conical lower portion. The term outboard portion of the supporting member refers to a portion, or half, of the supporting member which is located farthest away from the furnace. Opposite to the outboard portion is the inboard portion, which refers to a portion, or half, of the supporting member which is located nearest to the furnace.

[0012] The internal cross section of, or the cross section within, the frame-like supporting member corresponds advantageously to an external cross section of the conical lower portion of the particle separator. Thereby, the particle separator can be lowered during the installation thereof on the supporting member in such a way that the conical lower portion fits to the supporting member. If, for example, the cross section of the conical lower portion is of an octagonal shape, the frame-like supporting member may also have an octagonal cross section. Alternatively, the frame-like supporting member may have an internal cross section that is to be arranged in contact with only a portion of an external cross section of the conical lower portion of the particle separator. For example, even if the conical lower portion is of an octagonal shape, the frame-like supporting member may have an internal cross section of a square, which thus is to be arranged to be in contact with only every second of the slanted plates of the octagonal lower portion.

[0013] According to a preferred embodiment of the present invention, an inboard portion of the supporting member is attached to a side wall of the furnace. Thereby, the supporting member is advantageously a closed frame with an outboard portion connected to at least two downcomer pipes and an inboard portion attached to the side wall of the furnace. The supporting member advantageously extends substantially horizontally from the at least two downcomer pipes to the side wall of the furnace. Thus, the supporting member is attached to the side wall of the furnace at the horizontal level of the conical lower portion of the particle separator. Because the conical lower portion of the particle separator is in practice located at the vertical level of an intermediate portion of the furnace wall, a portion of the weight of the particle separator is according to the embodiment carried only by a lower portion of the side wall of the furnace. Therefore, only the lower portion of the side wall has to be made strong enough to carry additional weight. Because the supporting member is attached to the side wall of the furnace and to at least two downcomer pipes, a very stable support of the particle separator is provided.

[0014] The boiler system comprises advantageously at least two full height vertical downcomer pipes adjacent the outer portion of the particle separator, extending from the steam drum to the ground or founding of the plant. In addition to the full height downcomer pipes adjacent

the outer portion of the particle separator, each of the at least two downcomer pipes may also comprise a bottom-supported additional branch adjacent to the furnace side portion of the particle separator. Each of the additional branches is in fluid connection with the corresponding full height downcomer pipe by a horizontally extending pipe section.

[0015] According to a preferred embodiment of the present invention, the inboard portion of the supporting member is attached to at least two additional branches of the at least two downcomer pipes. The particle separator is thereby supported by fixing the supporting member to the two full height downcomer pipes and to the two additional branches. Thus, the supporting member does not have to be attached to a side wall of the furnace in a way to carry the weight of the particle separator by the side wall.

[0016] According to an alternative construction, the full height downcomer pipes are arranged adjacent the furnace side portion of the particle separator and the additional downcomer pipe branches are arranged adjacent to the outer portion of the particle separator. When using any of the two above mentioned embodiments, the weight of the particle separator effecting on the side wall of the furnace is minimized while a very stable support system of the particle separator is provided.

[0017] When the fluidized bed boiler comprises only one particle separator, the particle separator is advantageously supported by two full height downcomer pipes as described above. In case the boiler comprises two particle separators side by side, there are advantageously at least three downcomer pipes side by side, so that each particle separator can be supported by a pair of downcomer pipes in one of the ways described above. When using three full height downcomer pipes to support two particle separators, one of the downcomer pipes is advantageously arranged between the outer portions of the two particle separators, to carry the weight of the both separators. Correspondingly, if there are three particle separators side by side, there has to be at least four downcomer pipes. Naturally it is also possible to arrange $2N$ full height downcomer pipes to support N separators, whereby each separator can be supported as in the case of one separator, as described above.

[0018] The fluidized bed boiler is usually a circulating fluidized bed boiler, but it may also be a bubbling bed boiler comprising a particle separator.

[0019] The above brief description, as well as further objects, features, and advantages of the present invention will be more fully appreciated by reference to the following detailed description of the presently preferred, but nonetheless illustrative, embodiments in accordance with the present invention, when taken in conjunction with the accompanying drawings.

BRIEF DESCRIPTION OF THE DRAWINGS

[0020]

Figure 1 schematically illustrates a side view of a fluidized bed boiler with a supporting member for a particle separator according to a preferred embodiment of the present invention.

Figure 2a schematically illustrates a cross sectional view A-A of the supporting member of Fig. 1 according to an embodiment of the present invention.

Figure 2b schematically illustrates a cross sectional view A-A of the supporting member of Fig. 1 according to another embodiment of the present invention.

Figure 3 schematically illustrates a rear view of the fluidized bed boiler in accordance with Fig. 1.

Figure 4 schematically illustrates a sectional side view of a fluidized bed boiler with another supporting construction for the particle separator.

Figure 5 schematically illustrates a cross sectional view B-B from the top of the supporting member of Fig. 4 according to an embodiment of the present invention.

Figure 6 schematically illustrates a sectional rear view of a fluidized bed boiler with supporting construction for two particle separators.

DETAILED DESCRIPTION OF THE INVENTION

[0021] The schematic diagram of Fig. 1 illustrates a side view of a bottom-supported circulating fluidized bed boiler 10 arranged on a support foundation 34 made, for example, of concrete or steel. In the following description is assumed that thermal expansion of the boiler is entirely upwards even if in practice there is also thermal expansion in horizontal direction, which is generally taken into account by a suitable sliding support system.

[0022] The boiler comprises a furnace 12 having a side wall 14, which may also be called rear wall, a particle separator 20 located at the rear wall side of the furnace, a discharge conduit 24 for conveying flue gas and entrained particles from the upper portion of the furnace 12 to the particle separator 20, and conventional bottom-supported downcomer pipes 18 adjacent an outer portion of the particle separator, in fluid connection with a steam drum 16. In practice, the boiler comprises also other units, such as means for heat recovery and flue gas cleaning, which are not shown in Fig. 1 because they are not essential for the present invention.

[0023] The steam drum 16 is advantageously arranged on top of the downcomer pipes 18 to be supported by the downcomer pipes. Water pipes 40 convey hot water from the lower portion of the downcomer pipes 18 to an upstream end of evaporation tubes on the side walls 14 of the furnace, and steam pipes 42 convey mixture of steam and water from a downstream end of the evapo-

ration tubes to the steam drum. Due to the circulating water, the thermal expansion of the downcomer pipes is nearly as large as that of the side walls of the furnace.

[0024] The particle separator 20 may be, for example, a cyclone separator formed of water or steam cooled panels. The particle separator comprises a discharge duct 28 for conveying cleaned flue gas to a flue gas duct 32 and a return channel 30 for returning separated particles to a lower portion of the furnace 12. The return channel may compose a heat exchange chamber, not shown in Fig. 1, for cooling the separated particles. The return channel is connected to a conical lower portion 22 of the particle separator 20, which conical lower portion is enclosed by an enclosure wall or enclosure walls which is/are inclined so that the cross section of the particle separator 20 decreases in the conical lower portion towards the foundation 34 of the boiler.

[0025] The particle separator 20 is resting on a frame-like supporting member 26 surrounding the conical lower portion 22 of the particle separator 20. An outboard portion 36 of the supporting member 26 is attached to the downcomer pipe 18, or actually, as can be seen in Fig. 2a or 2b, to two downcomer pipes, to support the particle separator 20. An inboard portion 38 of the supporting member 26 is attached to the rear wall 14 of the furnace 12, so as to provide a stable support for the particle separator 20.

[0026] Fig. 2a schematically shows a cross sectional view A-A of Fig. 1, i.e., a top view of a horizontal cross section at the level of the conical lower portion 22 of the particle separator 20. More specifically, Fig. 2a shows the supporting arrangement, with the supporting member 26, of the particle separator 20 in accordance with an embodiment of the present invention. In the embodiment of Fig. 2a, the horizontal cross section of the conical lower portion of the particle separator is octagonal. In practice, however, many other shapes, such as a circular or rectangular shape, of the cross section of the conical lower portion of the particle separator are also possible.

[0027] As shown in Fig. 2a, the outboard portion 36 of the supporting member 26 is attached to two downcomer pipes 18 and the inboard portion 38 of the supporting member 26 is attached to the wall 14 of the furnace 12. The supporting member 26 is a closed frame having an octagonal cross section corresponding to an octagonal cross section of the conical lower portion 22 of the particle separator 20. As can be seen in Fig. 2a, the octagonal shape is formed by beveling the corners of a square frame. Naturally, if the particle separator is, for example, hexagonal, the corners of the main square frame should be beveled in a different way to achieve a hexagonal frame. The supporting construction is very rigid and stable.

[0028] According to Fig. 2a, the horizontal distance L between the downcomer pipes 18 nearly corresponds to a diameter of the bottom portion 22 of the particle separator 20 at the horizontal level of the supporting member 26, but in practice it can also be larger than said diameter

by connecting the supporting member, or frame, 26 to the downcomer pipes 18 by a suitable support construction.

[0029] Fig. 2b schematically shows a cross sectional view A-A of Fig. 1 according to another embodiment of the invention. Again, the particle separator 20, at least the conical lower portion thereof, has an octagonal cross section. In this embodiment, however, the supporting member 26 is a frame having substantially square shape into which the particle separator 20 can be supported. The supporting frame has four supporting beams to match with every second wall of the conical lower portion 22 of the particle separator 20. Hence, four walls of the conical lower portion 22 are in contact with the supporting member 26. In other words, the corners of the main square frame are not beveled as in Fig. 2a.

[0030] Fig. 3 shows a rear view of the fluidized bed boiler 10 in accordance with Fig. 1. Fig. 3 shows the particle separator 20 between two downcomer pipes 18. As discussed earlier, the horizontal distance L between the downcomer pipes 18 can be larger than the diameter of the particle separator 20, for example, to make it easier to arrange the separator 20 between the downcomer pipes 18. Fig. 3 shows a steam drum 16 in flow connection with two downcomer pipes 18, which downcomer pipes 18 extend from a supporting foundation 34 to the steam drum 16. Similarly, as in Figs. 2a and 2b the supporting member 26 is connected to the downcomer pipes 18. More specifically, the outboard portion 36 of the supporting member 26 is connected to two downcomer pipes 18 to support the particle separator 20 and the inboard portion 38 of the supporting member 26 is attached to the rear wall 14 of the furnace 12, as in Fig. 1.

[0031] The diagram of Fig. 4 schematically shows a side view of another bottom-supported circulating fluidized bed boiler 10 in accordance with the present invention. The boiler differs from that in Fig. 1 in that each of the full height downcomer pipes 18 adjacent the outer portion of the particle separator is connected to a mainly vertical, bottom-supported additional branch 18' of the downcomer pipe, adjacent the furnace side portion of the particle separator. The additional branch is in fluid connection with the corresponding full height downcomer pipes by a horizontally extending pipe section. The inboard portion 38 of the supporting member 26 is attached to the additional branches 18' of the downcomer pipes to provide further vertical support the particle separator 20.

[0032] An important advantage of this embodiment is that the load of the particle separator 20 does not affect the furnace wall 14 in a similar manner as in the embodiment shown in Fig. 1. Even though the frame-like supporting member 26 is in vertical direction supported by the additional downcomer pipes 18', the supporting member 26 may extend to the rear wall 14 of the furnace 12 to increase the rigidity of the construction in horizontal direction. However, according to the embodiment of Fig. 4, the weight of the particle separator is divided by the

aid of the supporting member 26 to the downcomer pipes 18 and their additional branches 18'.

[0033] According to the embodiment shown in Fig. 4, straight, full height downcomer pipes 18 are arranged adjacent the outer portion of the particle separator 20 and their additional branches 18' are arranged adjacent the furnace side portion of the particle separator. According to another embodiment of the present invention, the full height downcomer pipes may alternatively be arranged adjacent the furnace side portion of the particle separator 20, and the additional downcomer branches are correspondingly arranged adjacent the outer portion of the particle separator. Thereby, the inboard portion 38 of the supporting member 26 is attached to the full height, straight portions of the downcomer pipes and the outboard portion of the supporting member is attached to the additional portions, or branches, of the downcomer pipes.

[0034] Fig. 5 schematically shows a cross sectional top view B-B of Fig. 4. The outboard portion 36 of the supporting member 26 is connected to two downcomer pipes 18 and the inboard portion 38 of the supporting member 26 is connected to two additional branches 18' of the downcomer pipes and to the rear wall 14 of the furnace 12. The connections between the supporting member and the downcomer pipes and the wall 14 can be performed by any conventional means, such as by welding or by mechanical fixing elements.

[0035] Fig. 6 schematically shows a rear view of a fluidized bed boiler 100 having two particle separators 201 and 202. The first particle separator 201 has a conical lower portion 221 resting on a first supporting member 261, and the second particle separator 202 has a conical lower portion 222 resting on a second supporting member 262. An outboard portion 361 of the first supporting member 261 is connected to a first downcomer pipe 181 and a second downcomer pipe 182. Similarly, an outboard portion 362 of the second supporting member 262 is connected to the second downcomer pipe 182 and a third downcomer pipe 183. Therefore, the supporting members 261 and 262 share the second downcomer pipe 182 as an attaching location. The supporting members 261 and 262 are located at the horizontal level of the conical lower portions 221 and 222 of the particle separators 201 and 202, respectively. This provides a stable and rigid support for the particle separators 201 and 202.

[0036] A steam drum 160 is in flow communication with each of the first 181, second 182 and third downcomer pipes 183. The fluidized bed boiler 100 is located on a support foundation 340 and the downcomer pipes 181, 182 and 183 extend from the support foundation 340 to the steam drum 160. This provides a very stable construction without using heavy components or complex structures.

[0037] As becomes clear from above, a fluidized bed boiler with a simple and reliable supporting construction of a particle separator is provided. The supporting con-

struction is applicable in a number of various applications and purposes. While the invention has been described herein by way of examples in connection with what are at present considered to be the most preferred embodiments, it is to be understood that the invention is not limited to the disclosed embodiments, but is intended to cover various combinations or modifications of its features and several other applications included within the scope of the invention as defined in the appended claims.

Claims

1. A fluidized bed boiler (10) with a support construction for a particle separator (20), comprising a bottom-supported furnace (12), at least one particle separator (20) with a support construction in gas flow connection with an upper portion of the furnace and comprising a furnace side portion, an outer portion opposite to the furnace side portion and a conical lower portion (22), and at least two bottom-supported downcomer pipes (18) in fluid connection with a steam drum (16) and adjacent the outer portion of the particle separator, **characterized in that** the support construction comprises a frame-like supporting member (26) surrounding at least a portion of the conical lower portion, wherein an outboard portion (36) of the supporting member is attached to the at least two downcomer pipes to support the at least one particle separator.
2. A fluidized bed boiler in accordance with claim 1, **characterized in that** the supporting member (26) is attached to the at least two downcomer pipes at the horizontal level of the conical lower portion of the at least one particle separator.
3. A fluidized bed boiler in accordance with claim 1, **characterized in that** an inboard portion (38) of the supporting member is attached to a side wall (14) of the furnace to support the at least one particle separator.
4. A fluidized bed boiler in accordance with claim 1, **characterized in that** each of the at least two bottom-supported downcomer pipes comprises a full height vertical downcomer pipe (18) adjacent the outer portion of the at least one particle separator and an additional branch (18') of the downcomer pipe adjacent the furnace side portion of the at least one particle separator and the outboard portion (36) of the supporting member is attached to the full height vertical downcomer pipes (18) and the inboard portion (38) of the supporting member is attached to the additional branches of the downcomer pipes.
5. A fluidized bed boiler in accordance with claim 1, **characterized in that** each of the at least two bot-

tom-supported downcomer pipes comprises a full height vertical downcomer pipe (18) adjacent the furnace side portion of the at least one particle separator and an additional branch (18') of the downcomer pipe adjacent the outer portion of the at least one particle separator and the outboard portion (36) of the supporting member is attached to the additional branches (18') of the downcomer pipes and the inboard portion (38) of the supporting member is attached to the full height vertical downcomer pipes (18).

6. A fluidized bed boiler in accordance with any of claims 4 and 5, **characterized in that** the weight of the at least one particle separator (20) is carried by the full height downcomer pipes (18) and the additional branches (18') of the downcomer pipes.
7. A fluidized bed boiler in accordance with claim 6, **characterized in that** the inboard portion (38) of the supporting member is attached to a side wall (14) of the furnace to prevent horizontal movements of the support construction.
8. A fluidized bed boiler in accordance with claim 1, **characterized in that** a horizontal internal cross section of the frame-like supporting member (26) corresponds to a horizontal external cross section of the conical lower portion (22) of the at least one particle separator, and the internal cross section is arranged in contact with the external cross section of the conical lower portion of the at least one particle separator.
9. A fluidized bed boiler in accordance with claim 1, **characterized in that** the frame-like supporting member (26) has a horizontal internal cross section that is arranged in contact with only a portion of a horizontal external cross section of the conical lower portion of the at least one particle separator.
10. A fluidized bed boiler in accordance with claim 1, **characterized by** having two particle separators and three downcomer pipes.
11. A fluidized bed boiler in accordance with claim 1, **characterized by** having three particle separators and four downcomer pipes.
12. A fluidized bed boiler in accordance with any of the claims 1-11, **characterized in that** the fluidized bed boiler is a circulating fluidized bed boiler.
13. A fluidized bed boiler in accordance with any of the claims 1-11, **characterized in that** the fluidized bed boiler is a bubbling bed boiler.

Patentansprüche

1. Wirbelschichtkessel (10) mit einer Stützkonstruktion für einen Partikelabscheider (20), umfassend eine am Boden abgestützte Feuerung (12), zumindest einen Partikelabscheider (20) mit einer Stützkonstruktion in Gasströmungsverbindung mit einem oberen Teil der Feuerung und bestehend aus einem Seitenteil der Feuerung, einem äußeren Teil gegenüber dem Seitenteil der Feuerung und einem konischen unteren Teil (22), und zumindest zwei am Boden abgestützte Fallrohre (18) in Strömungsverbindung mit einem Oberkessel (16) und nahe dem äußeren Teil des Partikelabscheiders, **dadurch gekennzeichnet, dass** die Stützkonstruktion ein rahmenartiges Stützorgan (26) umfasst, das zumindest einen Teil des konischen unteren Teils umgibt, wobei ein außenliegender Teil (36) des Stützorgans an den zumindest zwei Fallrohren befestigt ist, um den zumindest einen Partikelabscheider abzustützen. 5
2. Wirbelschichtkessel nach Patentanspruch 1, **dadurch gekennzeichnet, dass** das Stützorgan (26) an den zumindest zwei Fallrohren auf dem horizontalen Niveau des konischen unteren Teils des zumindest einen Partikelabscheiders befestigt ist. 10
3. Wirbelschichtkessel nach Patentanspruch 1, **dadurch gekennzeichnet, dass** zur Abstützung des zumindest einen Partikelabscheiders ein innenliegender Teil (38) des Stützorgans an der Seitenwand (14) der Feuerung befestigt ist 15
4. Wirbelschichtkessel nach Patentanspruch 1, **dadurch gekennzeichnet, dass** jedes der zumindest zwei am Boden abgestützten Fallrohre ein vollhohes vertikales Fallrohr (18) nahe dem äußeren Teil des zumindest einen Partikelabscheiders und eine zusätzliche Abzweigung (18') des Fallrohrs nahe dem Seitenteil der Feuerung des zumindest einen Partikelabscheiders umfasst, und der außenliegende Teil (36) des Stützorgans an den vollhohen vertikalen Fallrohren (18) befestigt ist und der innenliegende Teil (38) des Stützorgans an den zusätzlichen Abzweigungen der Fallrohre befestigt ist. 20
5. Wirbelschichtkessel nach Patentanspruch 1, **dadurch gekennzeichnet, dass** jedes der zumindest zwei am Boden abgestützten Fallrohre ein vollhohes vertikales Fallrohr (18) nahe dem Seitenteil der Feuerung des zumindest einen Partikelabscheiders und eine zusätzliche Abzweigung (18') des Fallrohrs nahe dem äußeren Teil des zumindest einen Partikelabscheiders umfasst, und der außenliegende Teil (36) des Stützorgans an den zusätzlichen Abzweigungen (18') der Fallrohre befestigt ist und der innenliegende Teil (38) des Stützorgans an den vollhohen vertikalen Fallrohren (18) befestigt ist. 25
6. Wirbelschichtkessel nach einem der Patentansprüche 4 und 5, **dadurch gekennzeichnet, dass** das Gewicht des zumindest einen Partikelabscheiders (20) von den vollhohen Fallrohren (18) und den zusätzlichen Abzweigungen (18') der Fallrohre getragen wird. 30
7. Wirbelschichtkessel nach Patentanspruch 6, **dadurch gekennzeichnet, dass** der innenliegende Teil (38) des Stützorgans an einer Seitenwand (14) der Feuerung befestigt ist, um horizontale Bewegungen der Stützkonstruktion zu verhindern. 35
8. Wirbelschichtkessel nach Patentanspruch 1, **dadurch gekennzeichnet, dass** ein Abschnitt horizontalen inneren Querschnitts des rahmenartigen Stützorgans (26) einem Abschnitt horizontalen äußeren Querschnitts des konischen unteren Teils (22) des zumindest einen Abscheiders entspricht und der Abschnitt inneren Querschnitts in Kontakt mit dem Abschnitt äußeren Querschnitts des konischen unteren Teils des zumindest einen Partikelabscheiders angeordnet ist. 40
9. Wirbelschichtkessel nach Patentanspruch 1, **dadurch gekennzeichnet, dass** das rahmenartige Stützorgan (26) einen Abschnitt horizontalen inneren Querschnitts hat, der lediglich mit einem Teil eines Abschnitts horizontalen äußeren Querschnitts des konischen unteren Teils des zumindest einen Partikelabscheiders in Kontakt angeordnet ist. 45
10. Wirbelschichtkessel nach Patentanspruch 1, **dadurch gekennzeichnet, dass** zwei Partikelabscheider und drei Fallrohre vorgesehen sind. 50
11. Wirbelschichtkessel nach Patentanspruch 1, **dadurch gekennzeichnet, dass** drei Partikelabscheider und vier Fallrohre vorgesehen sind. 55
12. Wirbelschichtkessel nach einem der Patentansprüche 1 bis 11, **dadurch gekennzeichnet, dass** es sich beim Wirbelschichtkessel um einen Kessel mit zirkulierender Wirbelschicht handelt.
13. Wirbelschichtkessel nach einem der Patentansprüche 1 bis 11, **dadurch gekennzeichnet, dass** es sich beim Wirbelschichtkessel um einen Kessel mit stationärer Wirbelschicht handelt.

Revendications

1. Chaudière à lit fluidisé (10) avec une construction support pour un séparateur de particules (20), comprenant un four supporté par le fond (12), au moins un séparateur de particules (20) avec une construction support en raccordement d'écoulement gazeux

- avec une partie supérieure du four et comprenant une partie latérale de four, une partie extérieure opposée à la partie latérale de four et une partie inférieure conique (22), et au moins deux conduites de descente supportées par le fond (18) en raccordement fluïdique avec un ballon de vapeur (16) et adjacentes à la partie extérieure du séparateur de particules, **caractérisée en ce que** la construction support comprend un organe de support de type châssis (26) entourant au moins une partie de la partie inférieure conique, dans laquelle une partie vers l'extérieur (36) de l'organe de support est fixée aux au moins deux conduites de descente pour supporter le au moins un séparateur de particules.
2. Chaudière à lit fluïdisé selon la revendication 1, **caractérisée en ce que** l'organe de support (26) est fixé aux au moins deux conduites de descente au niveau horizontal de la partie inférieure conique de l'au moins un séparateur de particules.
3. Chaudière à lit fluïdisé selon la revendication 1, **caractérisée en ce qu'**une partie vers l'intérieur (38) de l'organe de support est fixée à une paroi latérale (14) du four pour supporter l'au moins un séparateur de particules.
4. Chaudière à lit fluïdisé selon la revendication 1, **caractérisée en ce que** chacune des au moins deux conduites de descente supportées par le fond comprend une conduite de descente verticale pleine hauteur (18) adjacente à la partie extérieure de l'au moins un séparateur de particules et un embranchement supplémentaire (18') de la conduite de descente adjacente à la partie latérale de four de l'au moins un séparateur de particules et la partie vers l'extérieur (36) de l'organe de support est fixée aux conduites de descente verticales pleine hauteur (18) et la partie vers l'intérieur (38) de l'organe de support est fixée aux embranchements supplémentaires des conduites de descente.
5. Chaudière à lit fluïdisé selon la revendication 1, **caractérisée en ce que** chacune des au moins deux conduites de descente supportées par le fond comprend une conduite de descente verticale pleine hauteur (18) adjacente à la partie latérale de four de l'au moins un séparateur de particules et un embranchement supplémentaire (18') de la conduite de descente adjacente à la partie extérieure de l'au moins un séparateur de particules et la partie vers l'extérieur (36) de l'organe de support est fixée aux embranchements supplémentaires (18') des conduites de descente et la partie vers l'intérieur (38) de l'organe de support est fixée aux conduites de descente verticale pleine hauteur (18).
6. Chaudière à lit fluïdisé selon l'une quelconque des revendications 4 et 5, **caractérisée en ce que** le poids de l'au moins un séparateur de particules (20) est porté par les conduites de descente pleine hauteur (18) et les embranchements supplémentaires (18') des conduites de descente.
7. Chaudière à lit fluïdisé selon la revendication 6, **caractérisée en ce que** la partie vers l'intérieur (38) de l'organe de support est fixée à une paroi latérale (14) du four pour empêcher des déplacements horizontaux de la construction support.
8. Chaudière à lit fluïdisé selon la revendication 1, **caractérisée en ce qu'**une section interne horizontale de l'organe de support de type châssis (26) correspond à une section externe horizontale de la partie inférieure conique (22) de l'au moins un séparateur de particules, et la section interne est agencée en contact avec la section externe de la partie inférieure conique de l'au moins un séparateur de particules.
9. Chaudière à lit fluïdisé selon la revendication 1, **caractérisée en ce que** l'organe de support de type châssis (26) a une section interne horizontale qui est agencée en contact avec uniquement une partie d'une section externe horizontale de la partie inférieure conique de l'au moins un séparateur de particules.
10. Chaudière à lit fluïdisé selon la revendication 1, **caractérisée en ce qu'**elle comporte deux séparateurs de particules et trois conduites de descente.
11. Chaudière à lit fluïdisé selon la revendication 1, **caractérisée en ce qu'**elle comporte trois séparateurs de particules et quatre conduites de descente.
12. Chaudière à lit fluïdisé selon l'une quelconque des revendications 1 à 11, **caractérisée en ce que** la chaudière à lit fluïdisé est une chaudière à lit fluïdisé circulant.
13. Chaudière à lit fluïdisé selon l'une quelconque des revendications 1 à 11, **caractérisée en ce que** la chaudière à lit fluïdisé est une chaudière à lit à barbotage.

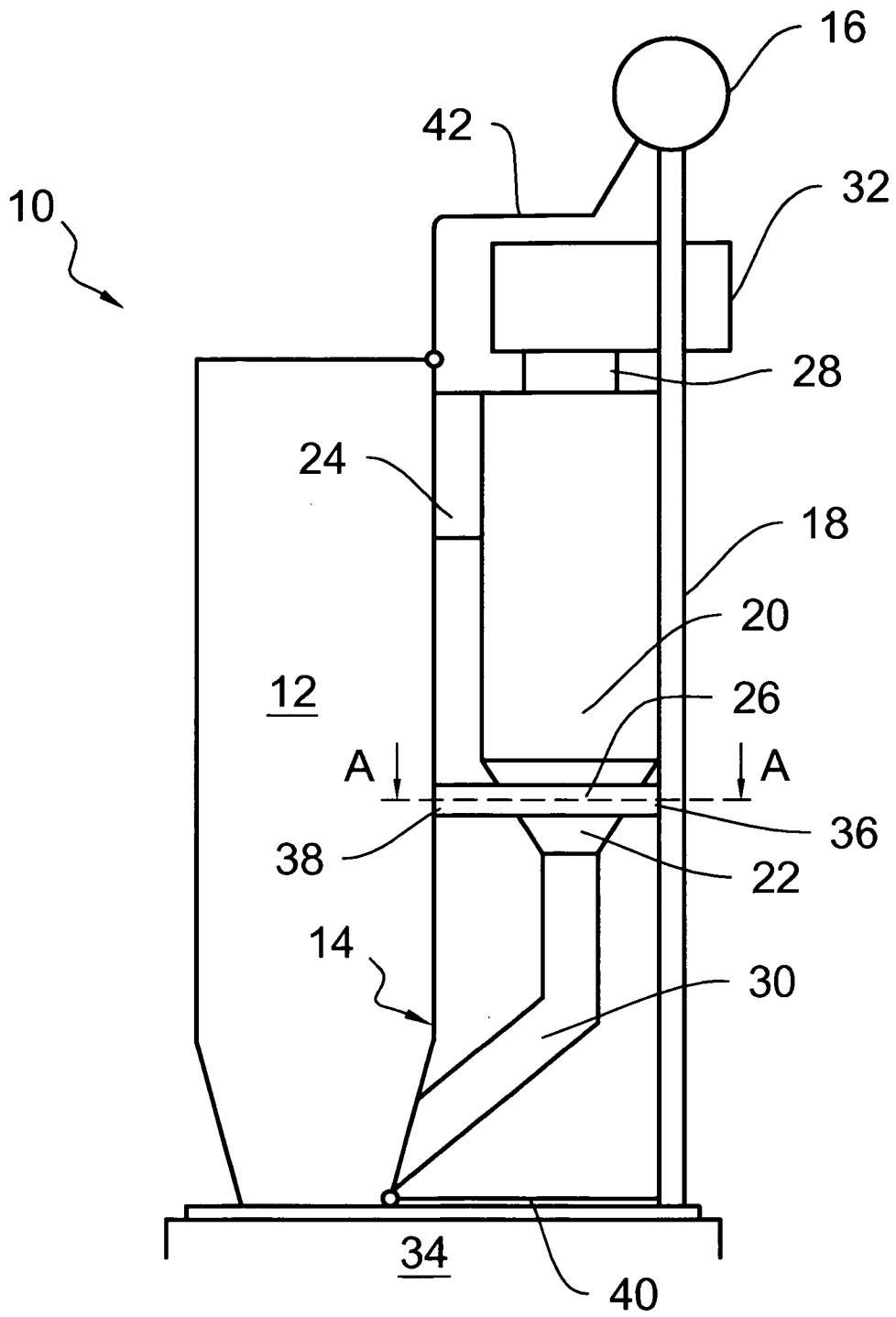
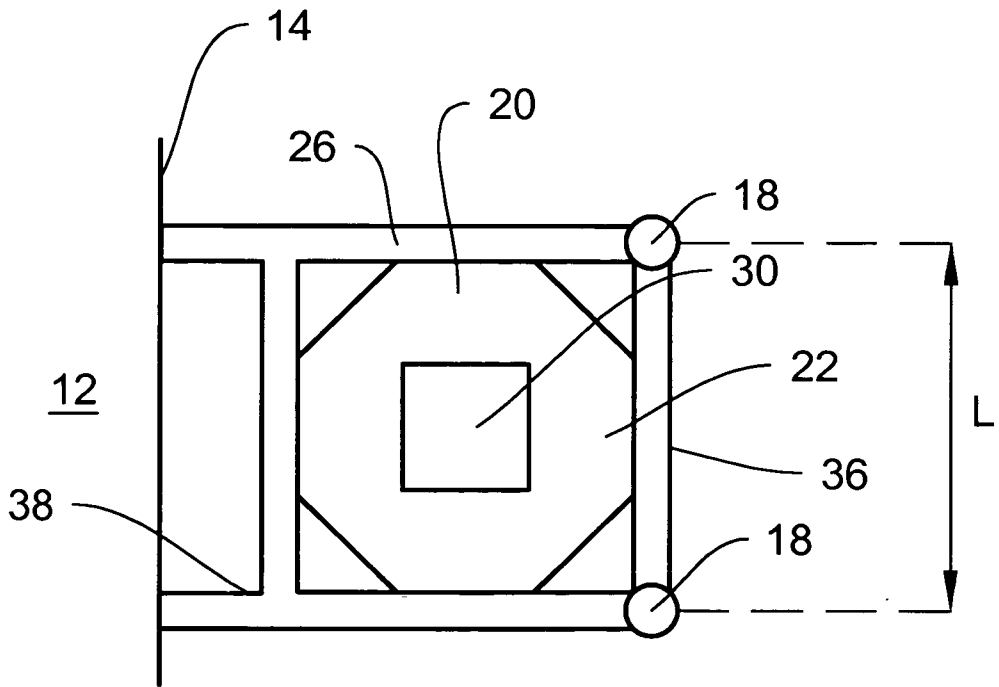
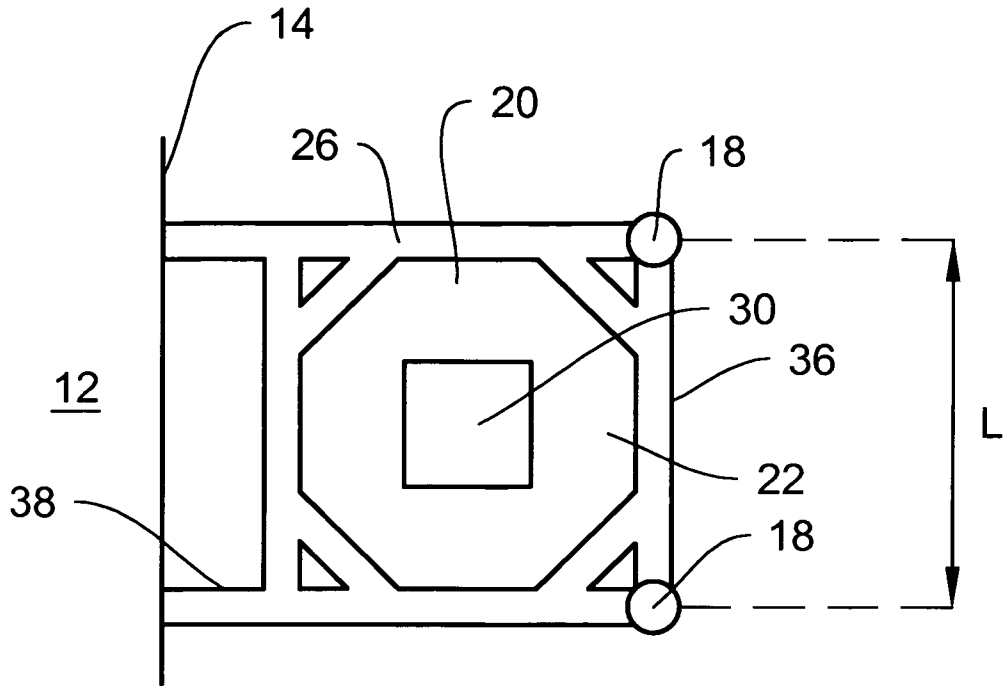


Fig. 1



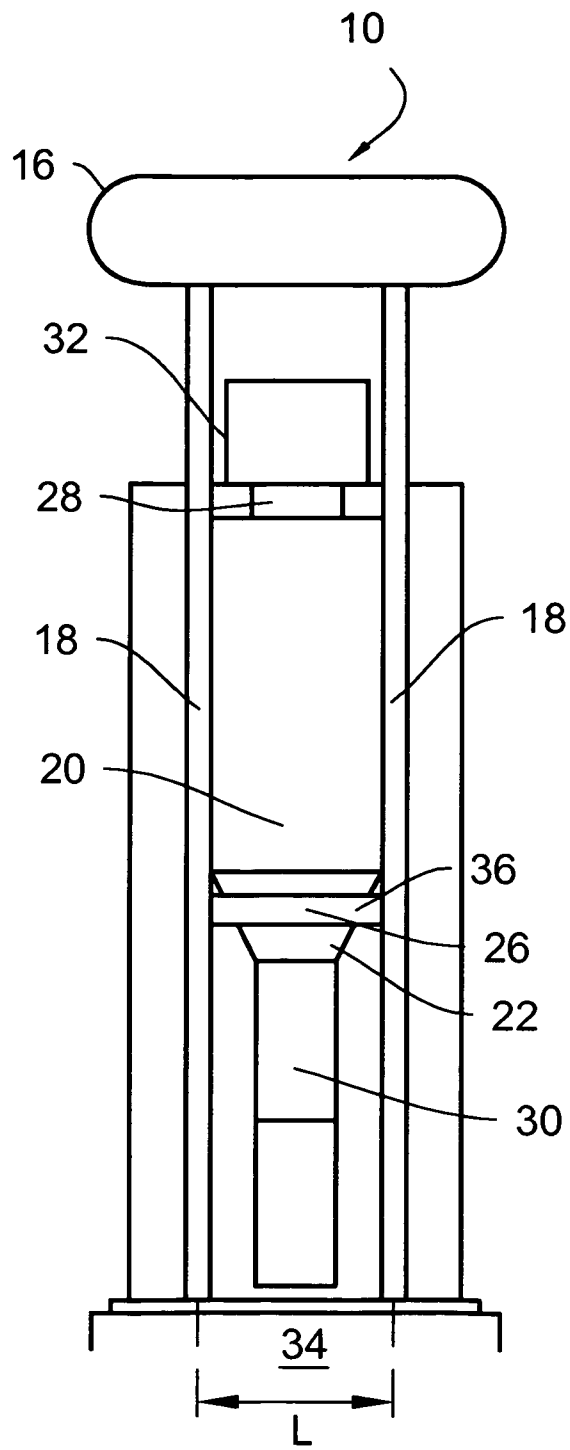


Fig. 3

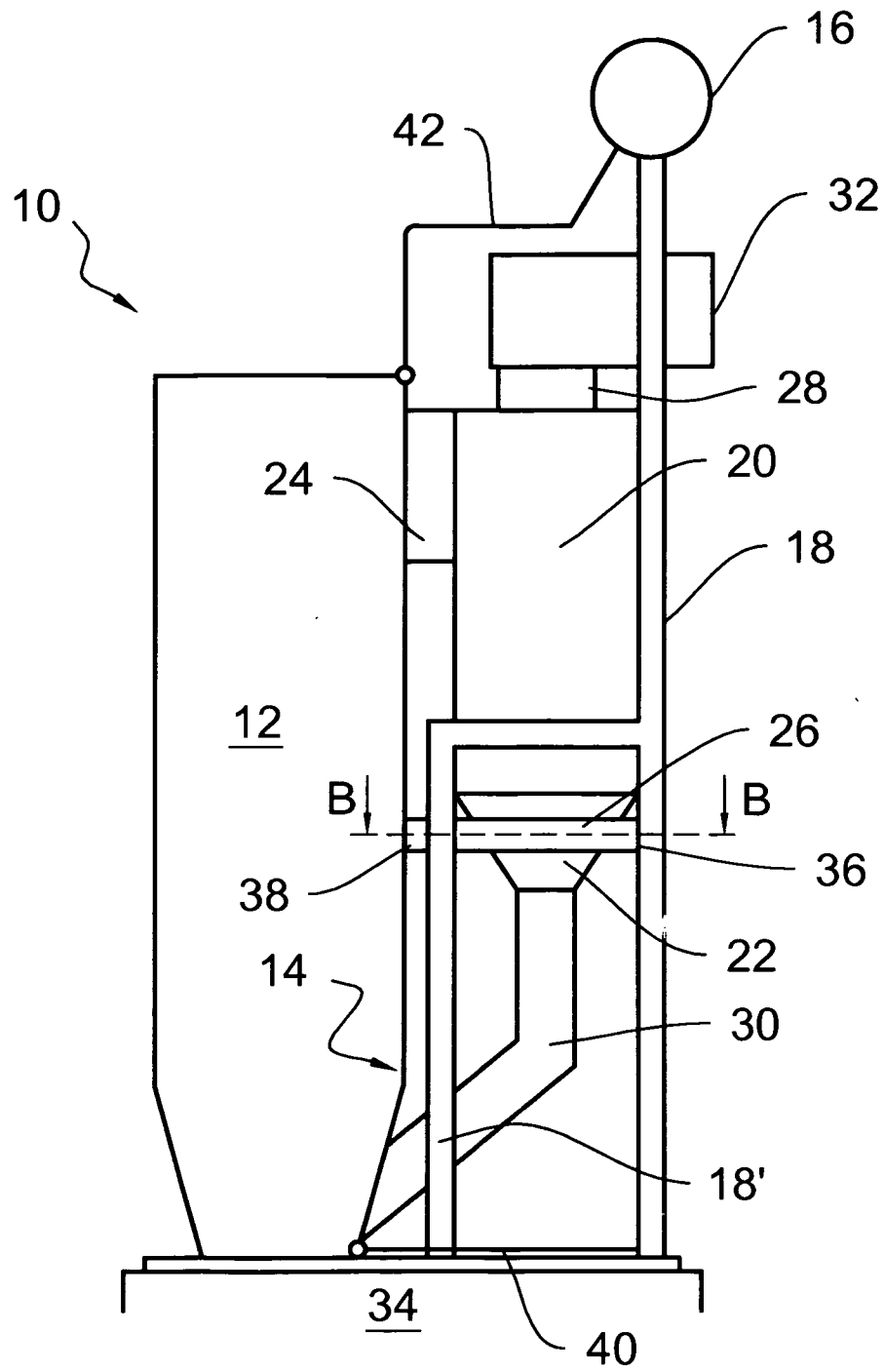


Fig. 4

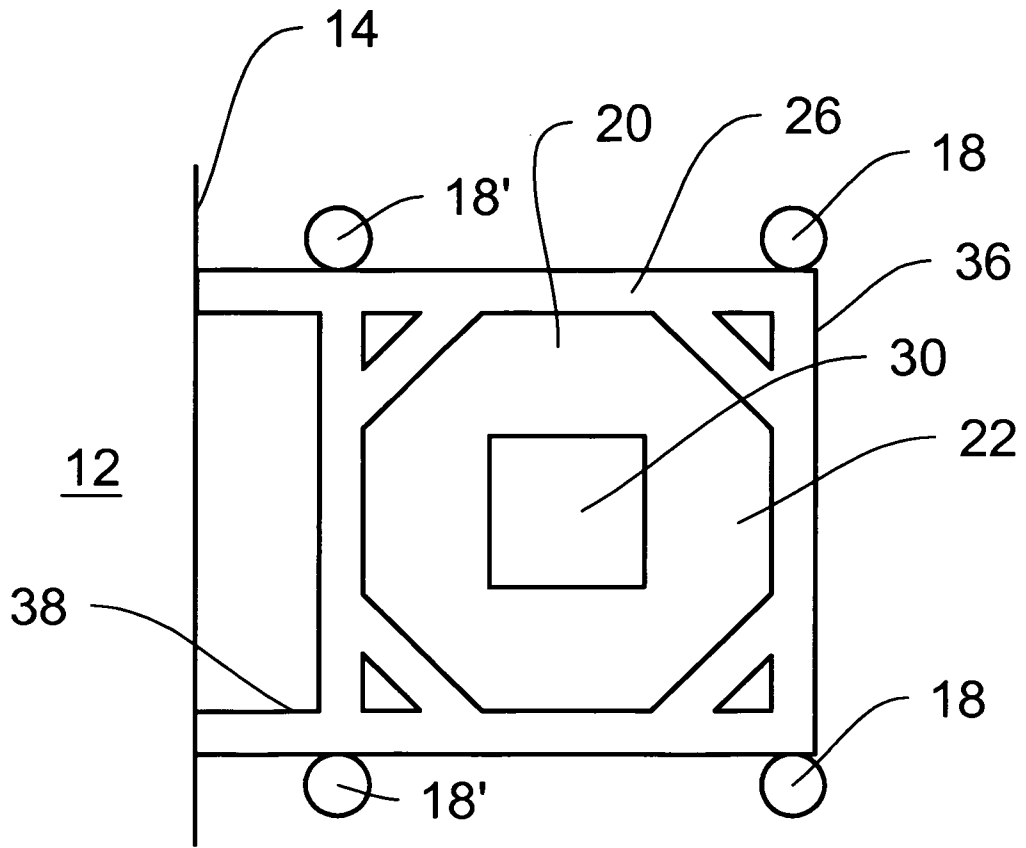


Fig. 5

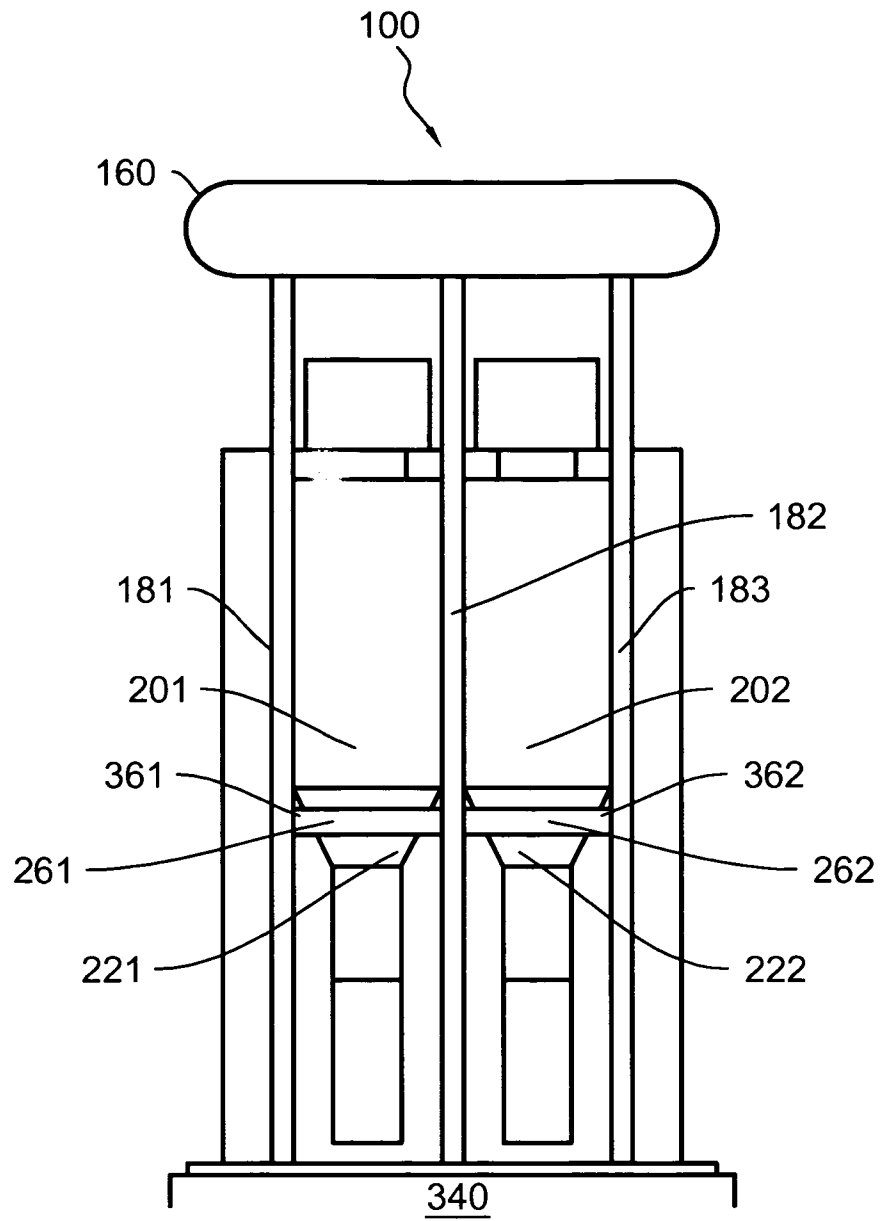


Fig. 6

REFERENCES CITED IN THE DESCRIPTION

This list of references cited by the applicant is for the reader's convenience only. It does not form part of the European patent document. Even though great care has been taken in compiling the references, errors or omissions cannot be excluded and the EPO disclaims all liability in this regard.

Patent documents cited in the description

- EP 760071 B1 [0006]
- WO 2007135238 A2 [0007]

FLUIDÁGYAS KAZÁN SZEMCSELEVÁLASZTÓHOZ VALÓ TÁMASZTÓSZERKEZETTEL

Szabadalmi igénypontok

- 5 1. Fluidágyas kazán (10) szemcseleválasztóhoz (20) való támasztószervezettel, amely kazán tartalmaz alul megtámasztott kemencét (12), a kemence felső részével gázáramlásos összeköttetésben lévő és támasztószervezettel ellátott, valamint kemence oldalrészt tartalmazó legalább egy szemcseleválasztót (20), a kemence oldalrészrel szemközti külső részt és kúpos alsó részt (22), továbbá gözdobbal (16) fluidumáramlásos összeköttetésben lévő és a szemcseleválasztó külső részével szomszédos legalább két alul megtámasztott ejtőcsövet (18), azzal jellemezve, hogy a támasztószervezetnek a kúpos alsó rész legalább egy részét körülvevő keretszerű támasztótagja (26) van, ahol a legalább egy szemcseleválasztó tartásához a támasztótag külső része (36) a legalább két ejtőcsőhöz van hozzáerősítve.
- 10 2. Az 1. igénypont szerinti fluidágyas kazán, azzal jellemezve, hogy a támasztótag (26) a legalább egy szemcseleválasztó kúpos alsó részének vízszintes szintjében van a legalább két ejtőcsőhöz hozzáerősítve.
- 15 3. Az 1. igénypont szerinti fluidágyas kazán, azzal jellemezve, hogy a legalább egy szemcseleválasztó tartásához a támasztótag belső része (38) a kemence oldalfalához (14) van hozzáerősítve.
4. Az 1. igénypont szerinti fluidágyas kazán, azzal jellemezve, hogy az alul megtámasztott legalább két ejtőcső mindegyike a legalább egy szemcseleválasztó külső részével szomszédosan egy teljes magasságú függőleges ejtőcsövet (18), valamint a legalább egy szemcseleválasztó kemence oldalrészével szomszédosan az ejtőcső egy további ágát (18') tartalmazza, továbbá a támasztótag külső része (36) a teljes magasságú ejtőcsövekhez (18) van hozzáerősítve és a támasztótag belső része (38) az ejtőcsövek további ágaihoz van hozzáerősítve.
- 20 5. Az 1. igénypont szerinti fluidágyas kazán, azzal jellemezve, hogy a legalább két alul megtámasztott ejtőcső mindegyike a legalább egy szemcseleválasztó kemence oldalrészével szomszédosan egy teljes magasságú függőleges ejtőcsövet (18), valamint a legalább egy szemcseleválasztó külső részével szomszédosan az ejtőcső egy további ágát (18') tartalmazza, továbbá a támasztótag külső része (36) az ejtőcsövek további ágaihoz (18') van hozzáerősítve és a támasztótag belső része (38) a teljes magasságú ejtőcsövekhez (18) van hozzáerősítve.
- 25 6. A 4. vagy az 5. igénypont szerinti fluidágyas kazán, azzal jellemezve, hogy a legalább egy szemcseleválasztó (20) súlyát a teljes magasságú ejtőcsövek (18) és az ejtőcsövek további ágai (18') hordozzák.
7. A 6. igénypont szerinti fluidágyas kazán, azzal jellemezve, hogy a támasztószervezet vízszintes elmozdulásának megakadályozásához a támasztótag belső része (38) a kemence oldalfalához (14) hozzá van erősítve.
- 30 8. Az 1. igénypont szerinti fluidágyas kazán, azzal jellemezve, hogy a keretszerű támasztótag (26) vízszintes belső keresztmetszete a legalább egy szemcseleválasztó kúpos alsó része (22) vízszintes külső keresztmetszetének felel meg, továbbá a belső keresztmetszet a legalább egy szemcseleválasztó kúpos alsó részének külső keresztmetszetével érintkezően van elrendezve.



9. Az 1. igénypont szerinti fluidágyas kazán, azzal jellemezve, hogy a keretszerű támasztótagnak (26) a legalsóbb egy szemcseleválasztó kúpos alsó része vízszintes külső keresztmetzetének esupán egy részével érintkezésben elrendezett vízszintes belső keresztmetszete van.

10. Az 1. igénypont szerinti fluidágyas kazán, azzal jellemezve, hogy két szemcseleválasztót és három ejtőcsövet tartalmaz.

11. Az 1. igénypont szerinti fluidágyas kazán, azzal jellemezve, hogy három szemcseleválasztót és négy ejtőcsövet tartalmaz.

12. Az 1-11. igénypontok bármelyike szerinti fluidágyas kazán, azzal jellemezve, hogy a fluidágyas kazán cirkulációs fluidágyas kazán.

10 13. Az 1-11. igénypontok bármelyike szerinti fluidágyas kazán, azzal jellemezve, hogy a fluidágyas kazán buborékolható fluidágyas kazán.