



US00D744188S

(12) **United States Design Patent**  
van der Zijde et al.

(10) **Patent No.:** US D744,188 S

(45) **Date of Patent:** \*\* Nov. 24, 2015

(54) **HOIST**

(71) Applicant: **PROLYTE PRODUCTS B.V.**, Leek (NL)

(72) Inventors: **Michiel van der Zijde**, Donkerbroek (NL); **Jasper van der Sluis**, Drachten (NL)

(73) Assignee: **PROLYTE PRODUCTS B.V.**, Leek (NL)

(\*\*) Term: **14 Years**

(21) Appl. No.: **29/465,277**

(22) Filed: **Aug. 26, 2013**

(30) **Foreign Application Priority Data**

Mar. 1, 2013 (WO) ..... DM/080 261

(51) **LOC (10) CI.** ..... **12-05**

(52) **U.S. CI.**

USPC ..... **D34/33**

(58) **Field of Classification Search**

USPC ..... D34/28-39; 254/372, 270, 346, 350, 254/266, 359, 366, 276, 360, 268, 390, 334, 254/389, 358, 405; 248/339; 318/743, 749; 477/22; 415/150

CPC ..... B66D 1/46; B66D 3/18; B66D 1/36; B66D 1/7489; B66D 3/20; B66D 3/04; B66D 3/16; B66D 5/30; B66D 1/04; B66D 1/12; B66D 1/14; B66D 1/20; B66D 1/225; B66D 1/30; B66D 1/34; B66D 1/485; B66D 3/06

See application file for complete search history.

(56) **References Cited**

**U.S. PATENT DOCUMENTS**

2,175,037 A \* 10/1939 Smith ..... 477/22  
3,032,016 A \* 5/1962 Smith ..... 415/150

3,960,362 A *	6/1976	Griffiths et al. ....	254/276
3,971,971 A *	7/1976	Wycoff .....	318/743
4,462,570 A *	7/1984	Gagnet .....	254/268
4,635,903 A *	1/1987	Broyden et al. ....	254/362
D309,969 S *	8/1990	Tamura .....	D34/33
5,899,441 A *	5/1999	Kuivamaki et al. ....	254/366
D411,364 S *	6/1999	Sasaki et al. ....	D34/33
6,105,939 A *	8/2000	Vance et al. ....	254/405
6,209,852 B1 *	4/2001	George et al. ....	254/372
D540,003 S *	4/2007	Hagihara et al. ....	D34/33
7,344,121 B1 *	3/2008	Pan .....	254/346
D571,973 S *	6/2008	Burns et al. ....	D34/33
8,096,528 B2 *	1/2012	Weingartner et al. ....	254/358
D655,883 S *	3/2012	Hiroshima .....	D34/33
D674,163 S *	1/2013	Tarkiainen et al. ....	D34/33
D677,853 S *	3/2013	Gans et al. ....	D34/33
D679,474 S *	4/2013	Beaussart et al. ....	D34/33
D704,411 S *	5/2014	Ishikawa et al. ....	D34/33
D704,412 S *	5/2014	Ishikawa et al. ....	D34/33

(Continued)

*Primary Examiner* — Cynthia Ramirez

*Assistant Examiner* — Gino Colan

(74) *Attorney, Agent, or Firm* — Epstein Drangel LLP; Robert L. Epstein

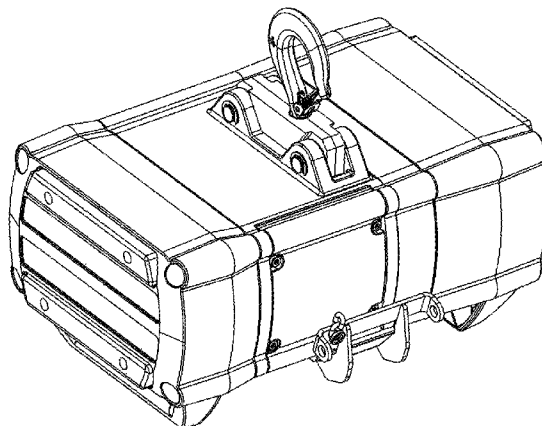
(57) **CLAIM**

The ornamental design for a hoist, as shown and described.

**DESCRIPTION**

FIG. 1 is a perspective view showing the top, back and left side of the design;  
FIG. 2 is a front elevation view of the invention;  
FIG. 3 is a back elevation view of the invention;  
FIG. 4 is a top elevation view of the invention;  
FIG. 5 is a bottom elevation view of the invention;  
FIG. 6 is a left-side elevation view of the invention; and,  
FIG. 7 is a right-side elevation view of the invention.  
The broken lines shown in FIG. 5 are for the purpose of illustrating portions of the hoist and form no part of the claimed design.

**1 Claim, 4 Drawing Sheets**



(56)

**References Cited**

U.S. PATENT DOCUMENTS

D704,413 S *	5/2014	Ishikawa et al. ....	D34/33	D706,514 S *	6/2014	Weingartner .....	D34/33
D704,414 S *	5/2014	Ishikawa et al. ....	D34/33	2008/0265810 A1 *	10/2008	Pan .....	318/258
D704,415 S *	5/2014	Ishikawa et al. ....	D34/33	2010/0006808 A1 *	1/2010	Weingartner et al. ....	254/372
D705,515 S *	5/2014	Bernard .....	D34/33	2012/0000876 A1 *	1/2012	Bergenstrale et al. ....	212/336
				2012/0187356 A1 *	7/2012	Lawson et al. ....	254/266
				2012/0241699 A1 *	9/2012	Vigneau et al. ....	254/359
				2013/0221809 A1 *	8/2013	Hiroshima .....	310/60 R

\* cited by examiner

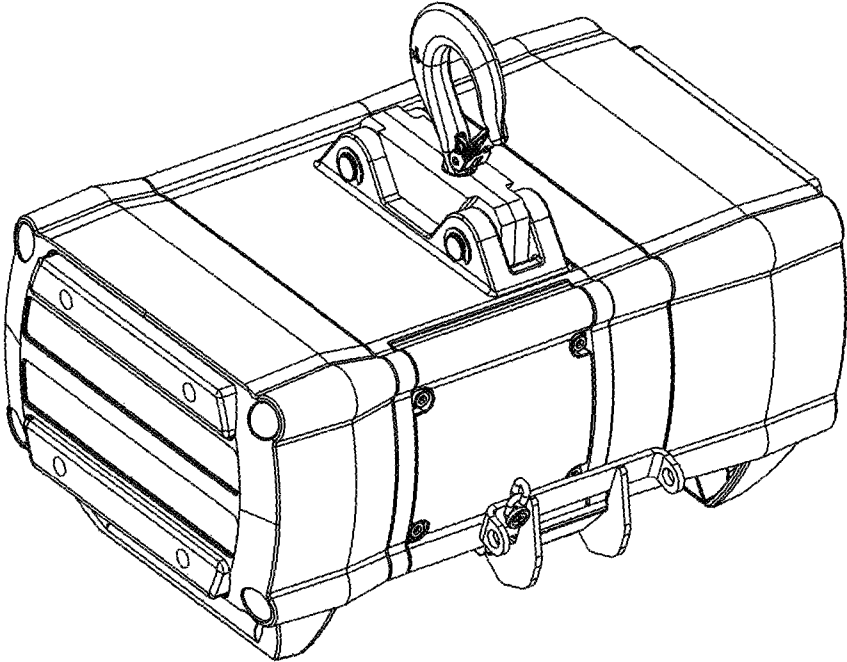


Fig. 1

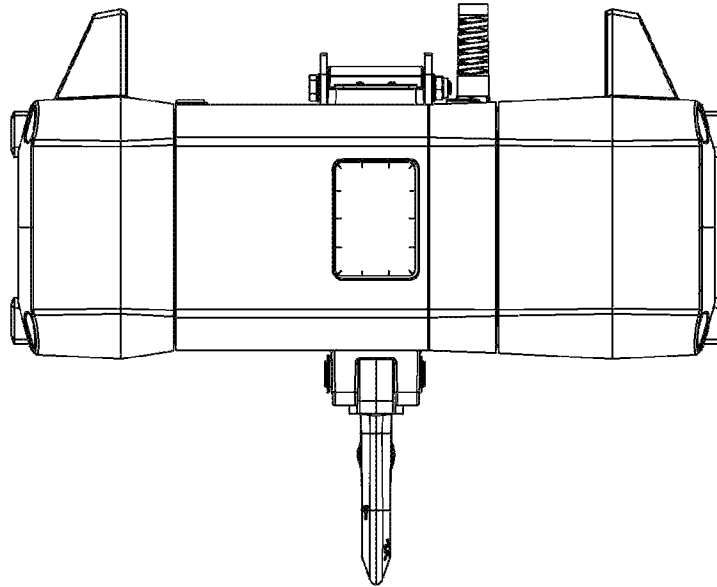


Fig. 2

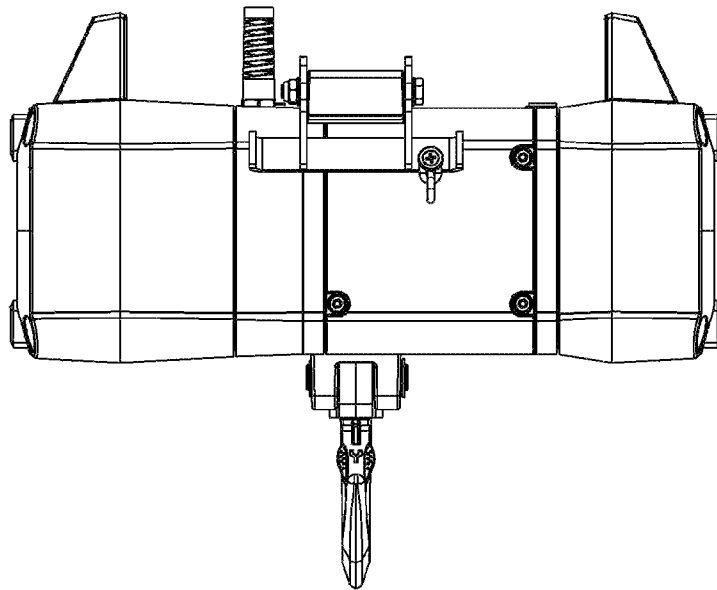


Fig. 3

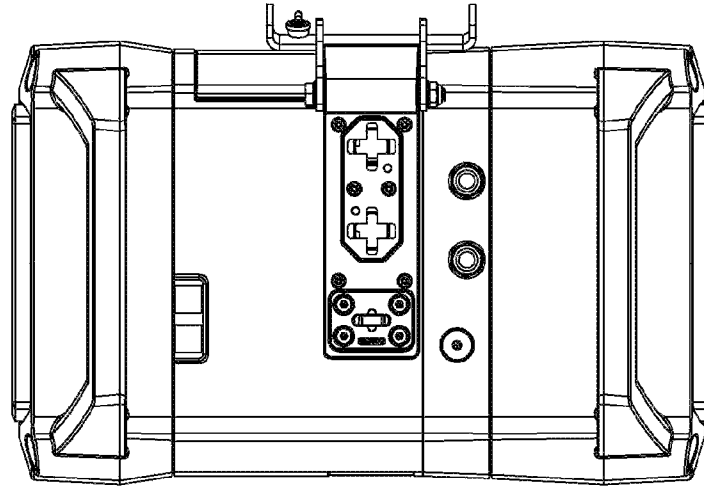


Fig. 4

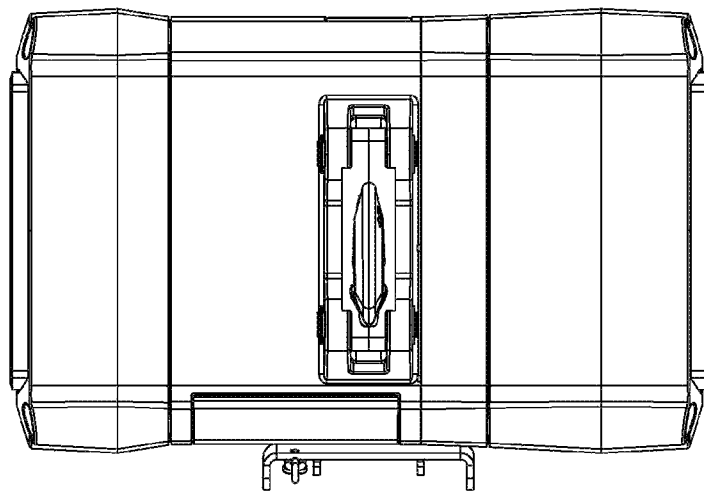


Fig. 5

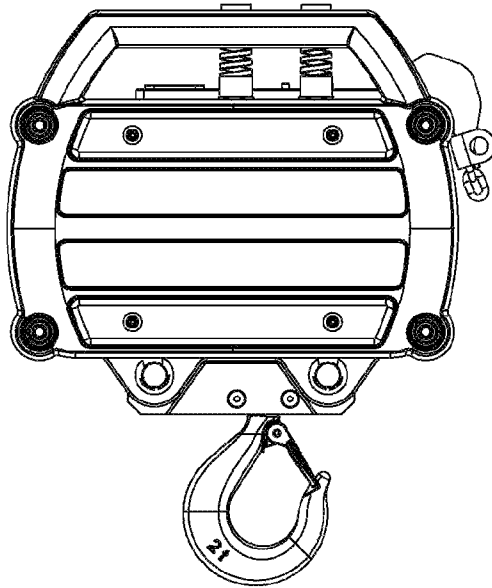


Fig. 6

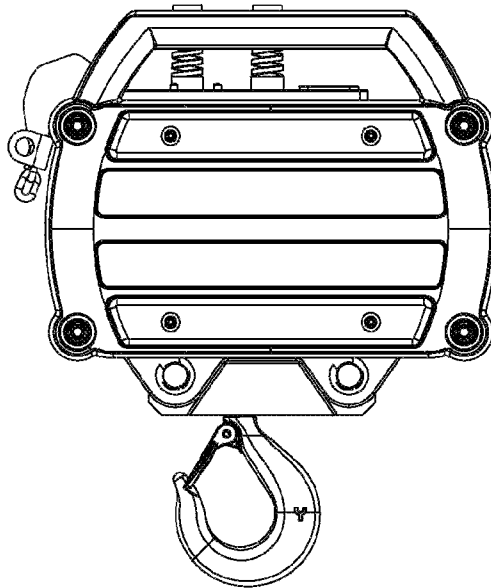


Fig. 7