



US00D783573S

(12) **United States Design Patent**
Liu

(10) **Patent No.:** **US D783,573 S**

(45) **Date of Patent:** **** Apr. 11, 2017**

- (54) **SPEAKER**
- (71) Applicant: **Li-Hsing Liu**, Luzhu Township,
Taoyuan County (TW)
- (72) Inventor: **Li-Hsing Liu**, Luzhu Township,
Taoyuan County (TW)
- (**) Term: **15 Years**
- (21) Appl. No.: **29/553,575**
- (22) Filed: **Feb. 3, 2016**
- (51) **LOC (10) Cl.** **14-02**
- (52) **U.S. Cl.**
USPC **D14/207**
- (58) **Field of Classification Search**
USPC D14/204, 207, 210-216, 172, 209.1,
D14/203.2, 189; 181/143, 144, 147, 148,
181/150-153, 157, 198, 199;
381/300-303, 306, 332, 333, 336, 345,
381/361-364, 386-388; D11/160, 162,
D11/606-609, 832; 455/344-347;
369/6-12; D9/683, 500, 738, 763;
D7/300, 601-606
CPC H04R 1/00; H04R 1/02; H04R 2400/00;
H05K 5/00
See application file for complete search history.

- 4,993,511 A * 2/1991 Hiraki H04R 1/025
181/150
- 5,140,254 A * 8/1992 Katzman A47K 3/281
290/54
- 5,319,164 A * 6/1994 Shen H04R 1/025
181/150
- 5,647,007 A * 7/1997 Wooderson H04R 5/02
381/332
- 6,279,678 B1 * 8/2001 Tracy H04R 1/02
181/144
- D554,617 S * 11/2007 Solland D14/207
- D678,468 S * 3/2013 Hanna D14/207
- D699,217 S * 2/2014 McCoy D14/203.2
- D747,292 S * 1/2016 Thomason D14/207
- D761,229 S * 7/2016 Tang D14/207
- D771,015 S * 11/2016 Tang D14/207

* cited by examiner

Primary Examiner — Prabhakar Deshmukh
(74) *Attorney, Agent, or Firm* — Alan D. Kamrath;
Kamrath IP Lawfirm, P.A.

(57) **CLAIM**

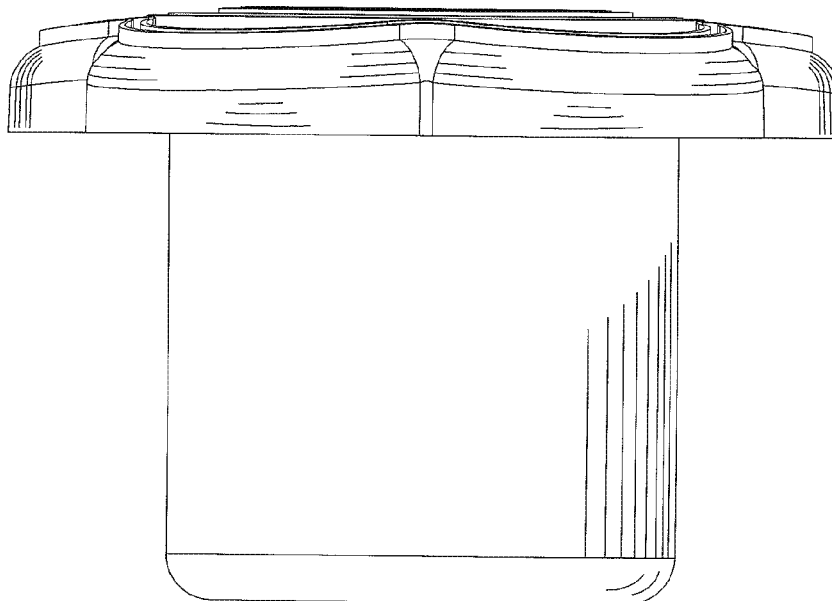
The ornamental design for a speaker, as shown and described.

DESCRIPTION

FIG. 1 is a perspective view of a speaker showing my design;
FIG. 2 is a front elevational view thereof;
FIG. 3 is a rear elevational view thereof;
FIG. 4 is a left side elevational view thereof;
FIG. 5 is a right side elevational view thereof;
FIG. 6 is a top plan view thereof; and,
FIG. 7 is a bottom plan view thereof.

1 Claim, 7 Drawing Sheets

- (56) **References Cited**
U.S. PATENT DOCUMENTS
D158,449 S * 5/1950 Ethington D14/207
4,620,317 A * 10/1986 Anderson H04R 1/345
181/155



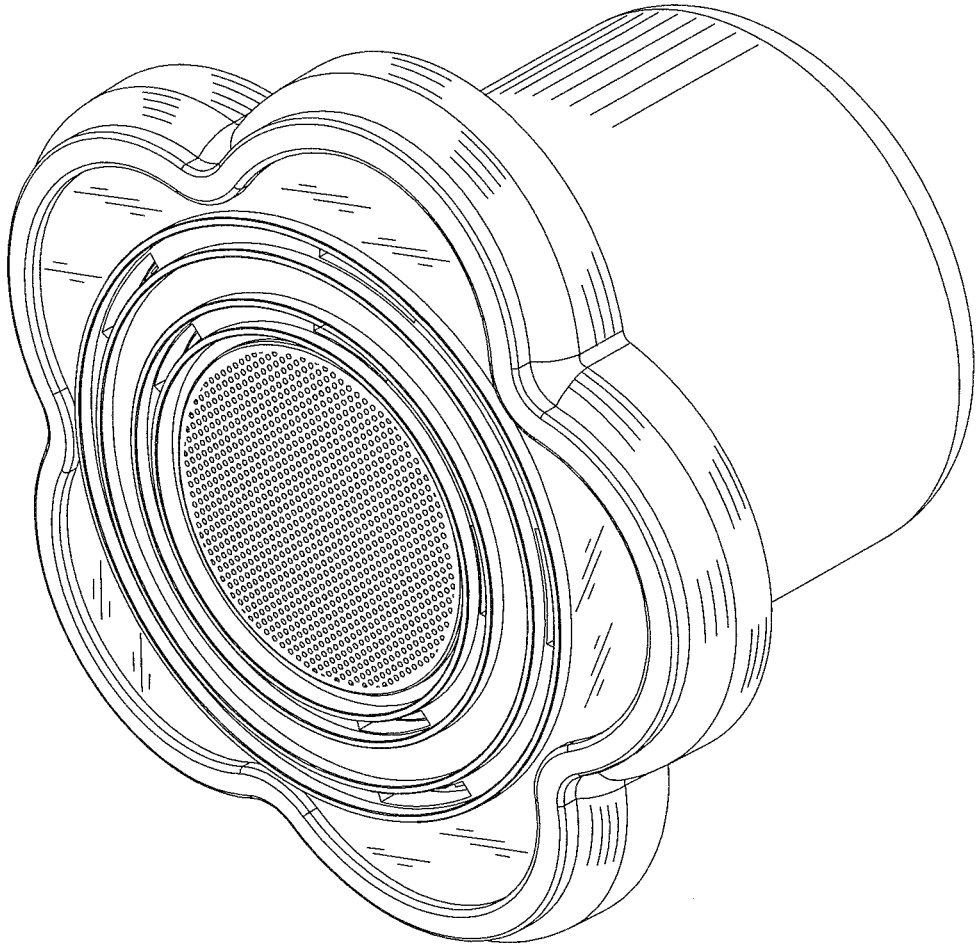


FIG. 1

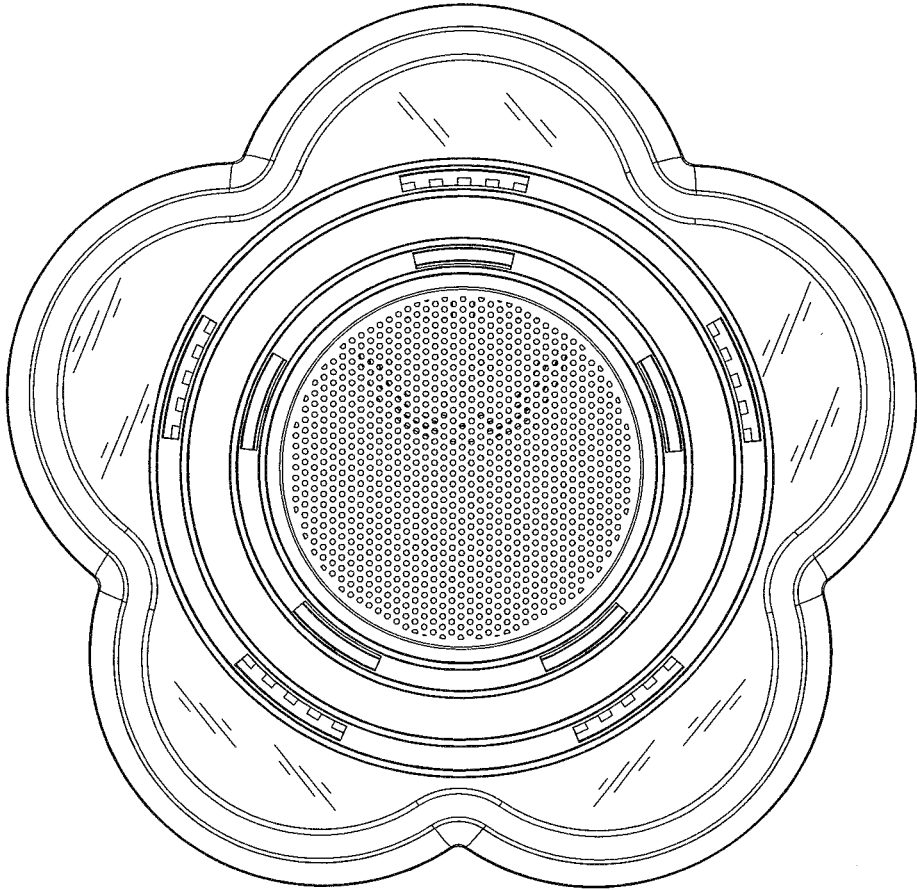


FIG. 2

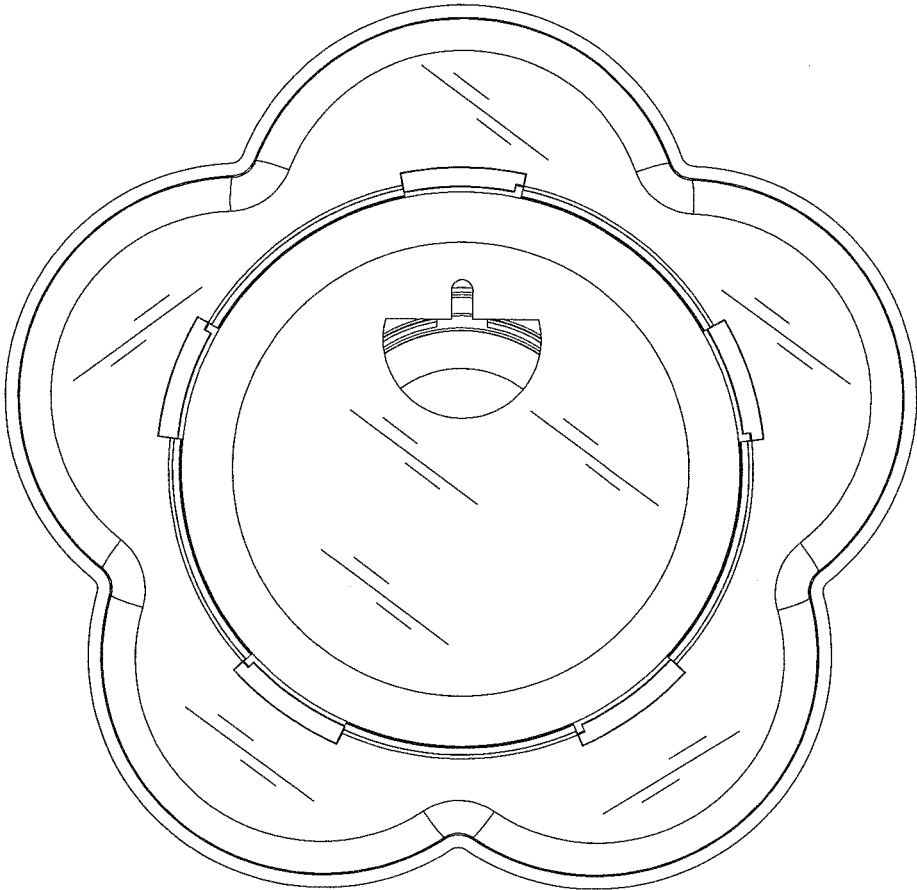


FIG. 3

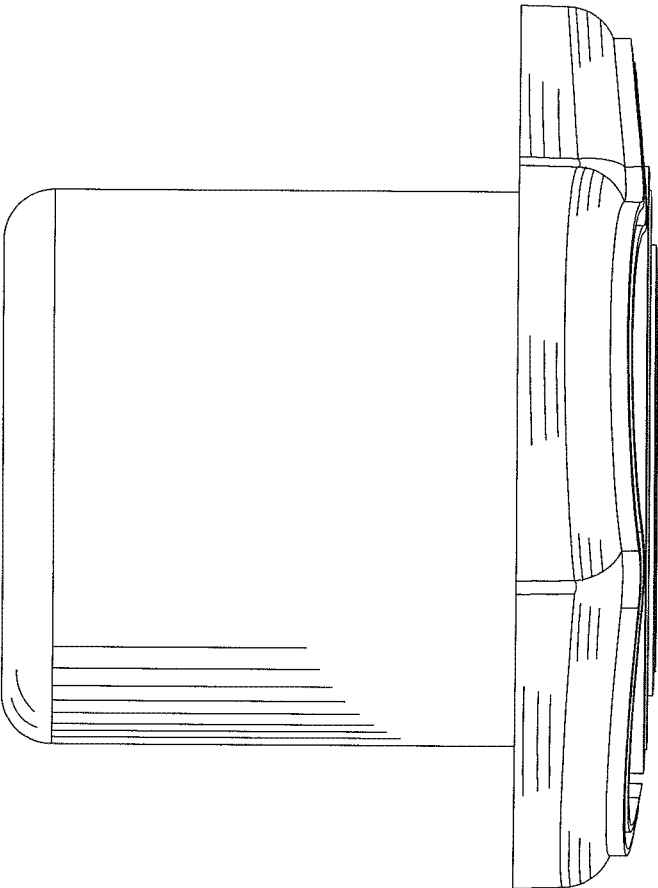


FIG. 4

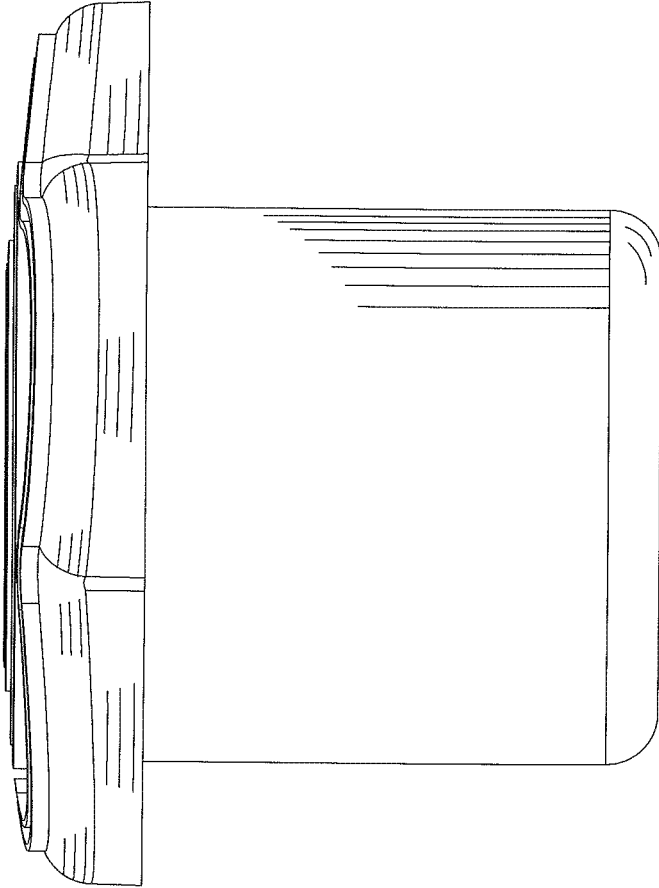


FIG. 5

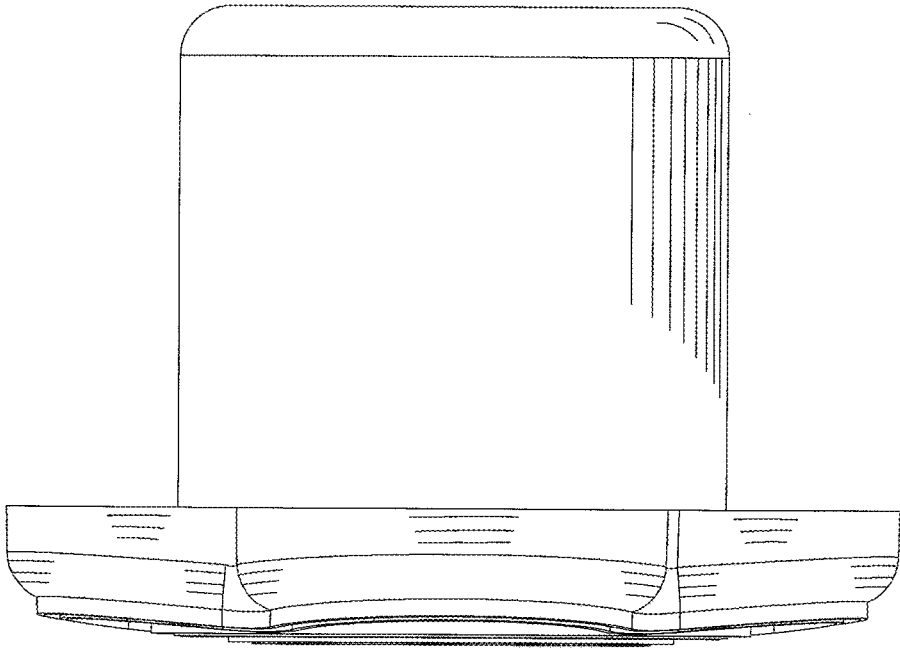


FIG. 6

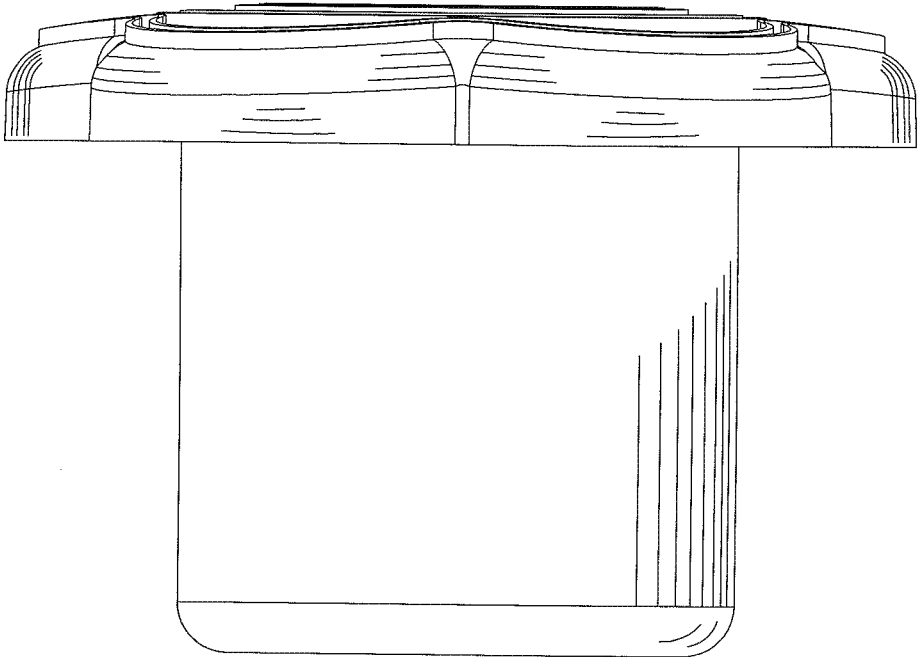


FIG. 7