



US00D635320S

(12) **United States Design Patent**
Paoletto

(10) **Patent No.:** **US D635,320 S**

(45) **Date of Patent:** **** Mar. 29, 2011**

(54) **TROLLEY**

(76) Inventor: **Bruno Paoletto**, Buderim (AU)

(**) Term: **14 Years**

(21) Appl. No.: **29/376,662**

(22) Filed: **Oct. 8, 2010**

(51) **LOC (9) Cl.** **12-05**

(52) **U.S. Cl.** **D34/26**

(58) **Field of Classification Search** D34/12-27;
280/47.19, 47.26, 47.33, 79.5, 47.24; 414/444,
414/448, 546, 469

See application file for complete search history.

(56) **References Cited**

U.S. PATENT DOCUMENTS

1,512,454	A *	10/1924	Cade	280/47.27
D401,725	S *	11/1998	Szumal	D34/24
6,053,516	A *	4/2000	Ottaway	280/79.5
D455,882	S *	4/2002	Ziolkowski	D34/24
D463,649	S *	9/2002	Halstead	D34/24
6,454,281	B1 *	9/2002	Pearson	280/47.26
D519,258	S *	4/2006	Resfium	D34/12
D523,205	S *	6/2006	Burks et al.	D34/24
D523,608	S *	6/2006	Brubacher et al.	D34/24

D553,325	S *	10/2007	Miller et al.	D34/24
7,416,195	B2 *	8/2008	Zwack	280/47.24
D612,562	S *	3/2010	Henderson	D34/24

* cited by examiner

Primary Examiner — Cynthia E Ramirez
(74) *Attorney, Agent, or Firm* — QuickPatents, Inc.; Kevin Prince

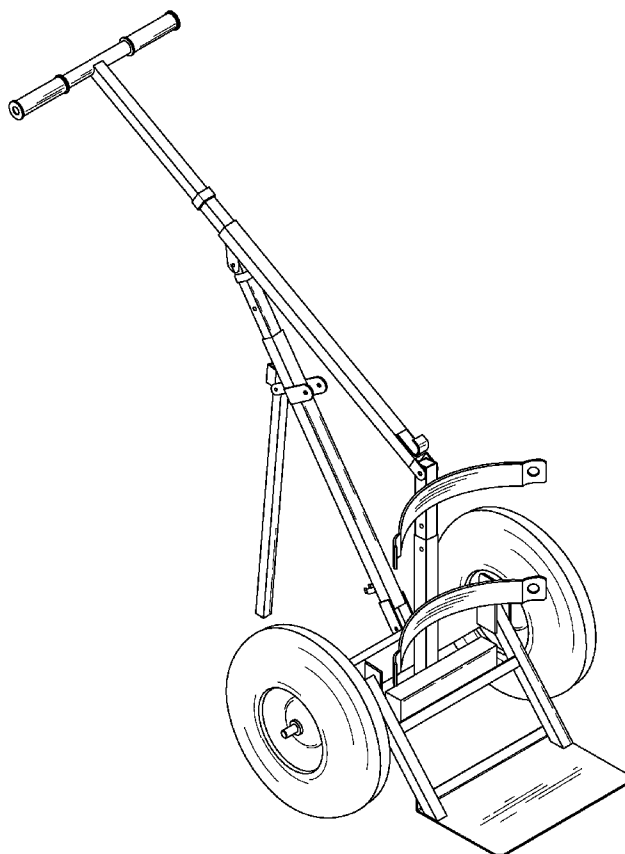
(57) **CLAIM**

The ornamental design for a trolley, as shown and described.

DESCRIPTION

FIG. 1 is a perspective view of a trolley, showing the new design in an unfolded configuration; FIG. 2 is a front elevational view thereof; FIG. 3 is a rear elevational view thereof; FIG. 4 is a left-side elevational view thereof, the right-side elevational view being a mirror image thereof; FIG. 5 is a top plan view thereof; and FIG. 6 is a bottom plan view thereof. FIG. 7 is a perspective view thereof in a folded configuration; FIG. 8 is a front elevational view of FIG. 7; FIG. 9 is a rear elevational view of FIG. 7; FIG. 10 is a left-side elevational view of FIG. 7, the right-side elevational view being a mirror image thereof; FIG. 11 is a top plan view of FIG. 7; and FIG. 12 is a bottom plan view of FIG. 7.

1 Claim, 8 Drawing Sheets



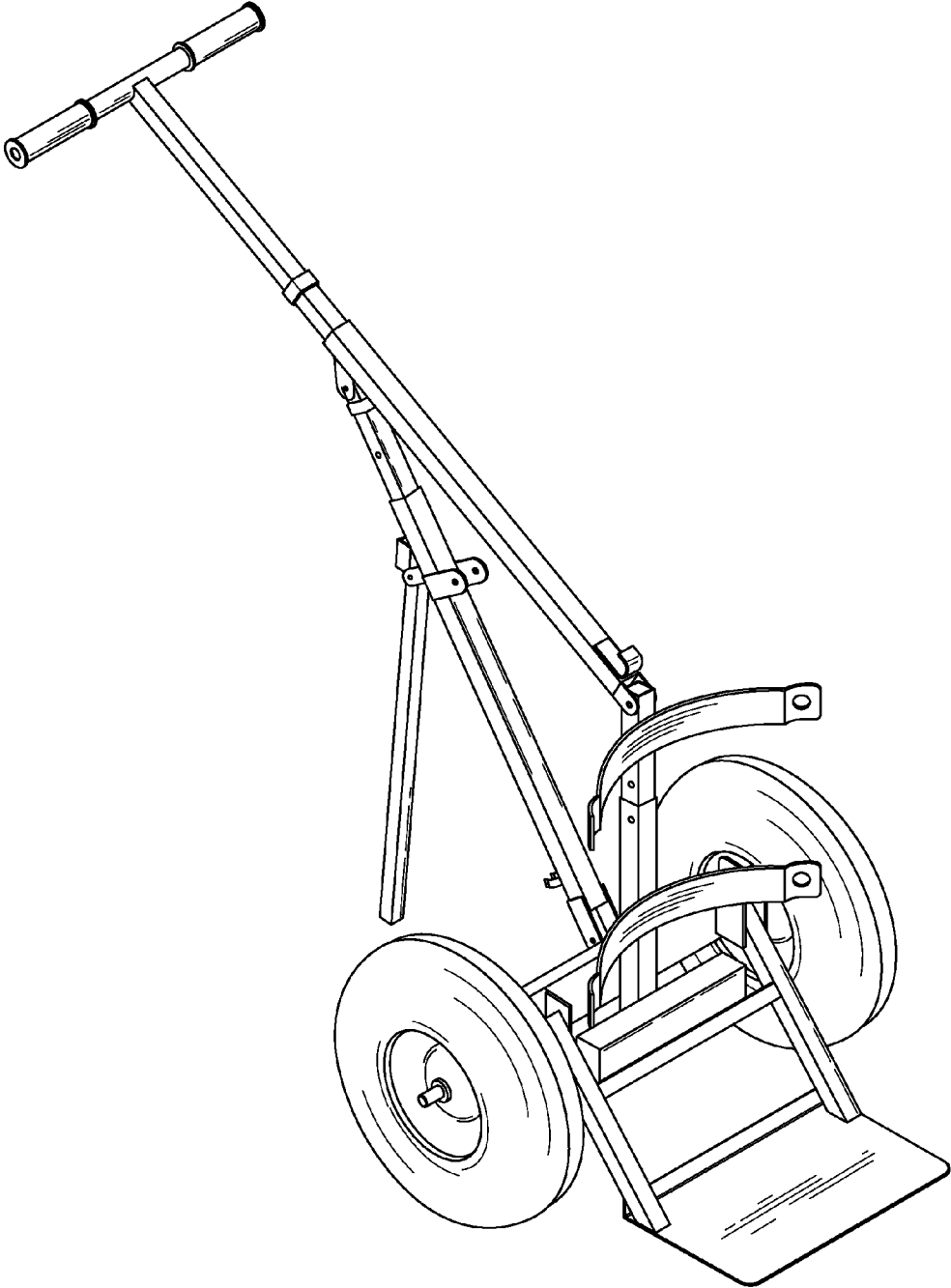


FIG. 1

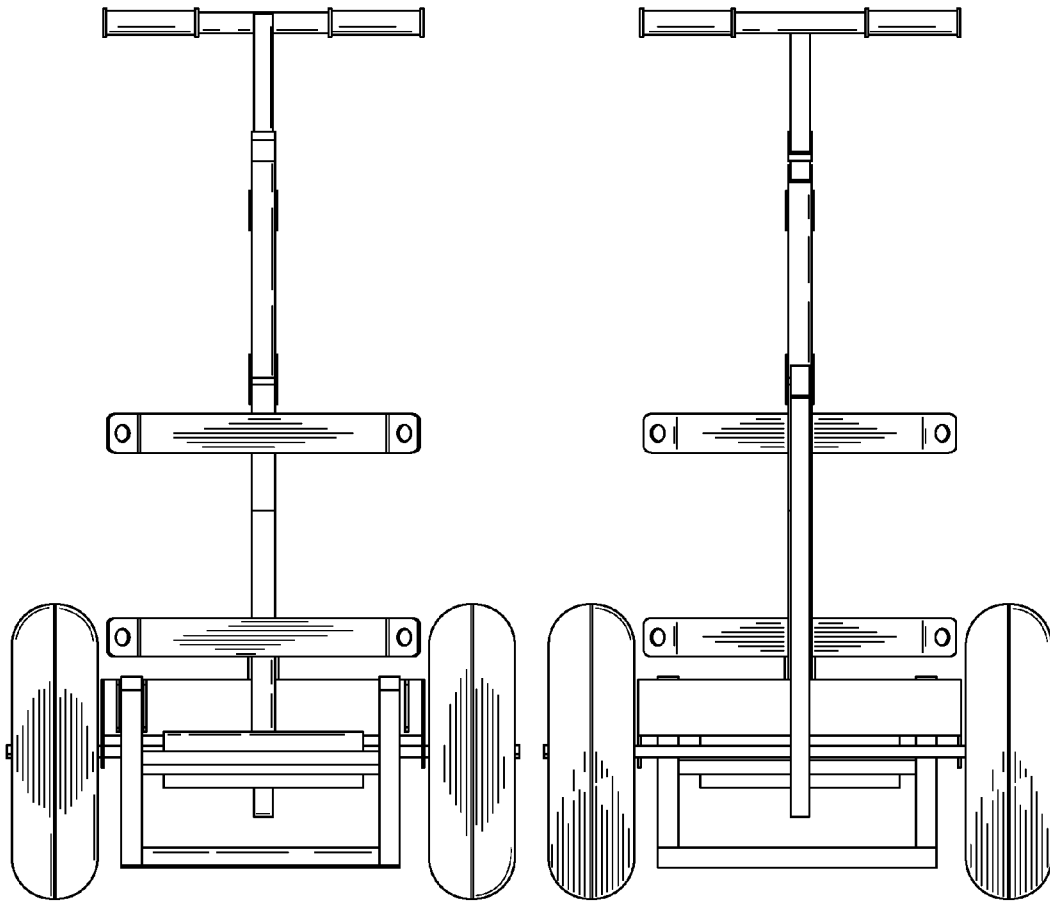


FIG. 2

FIG. 3

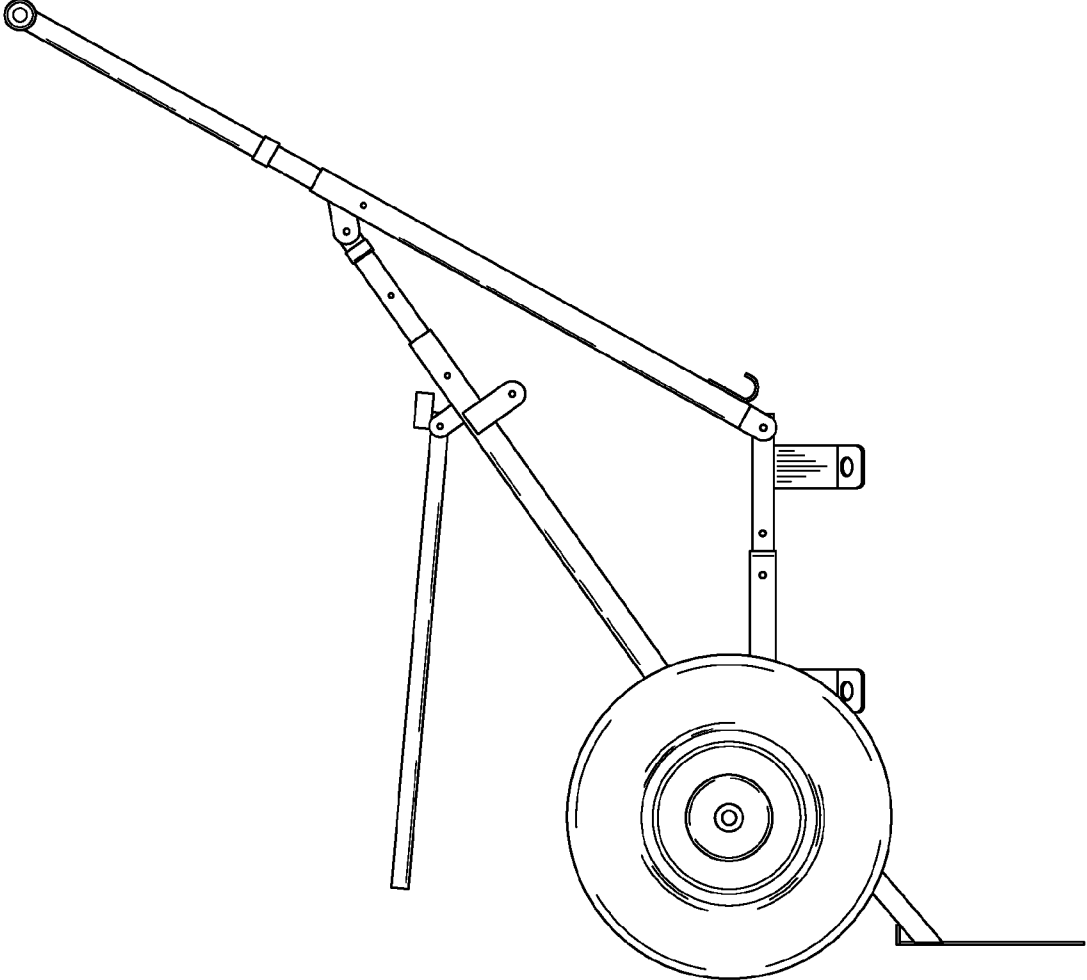


FIG. 4

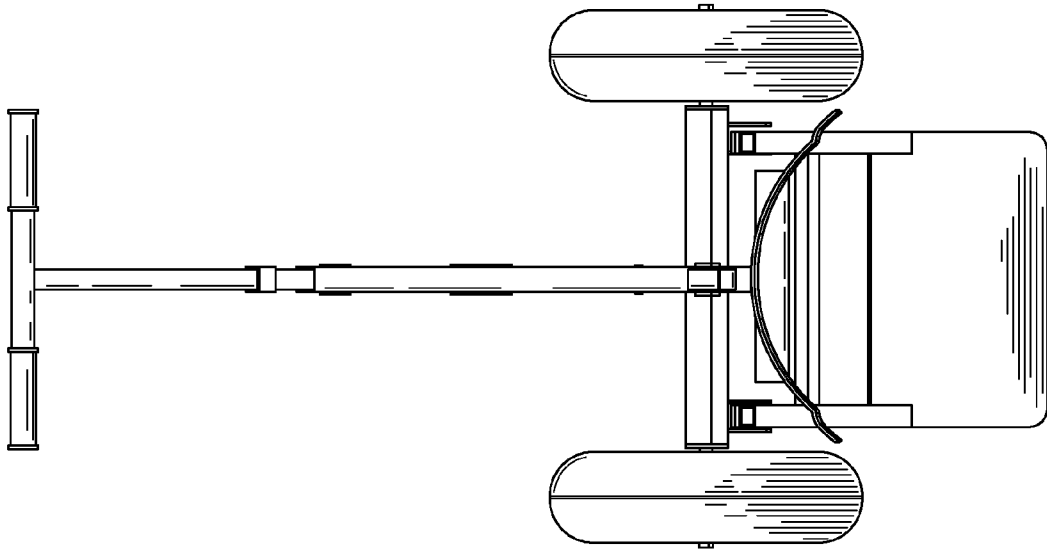


FIG. 5

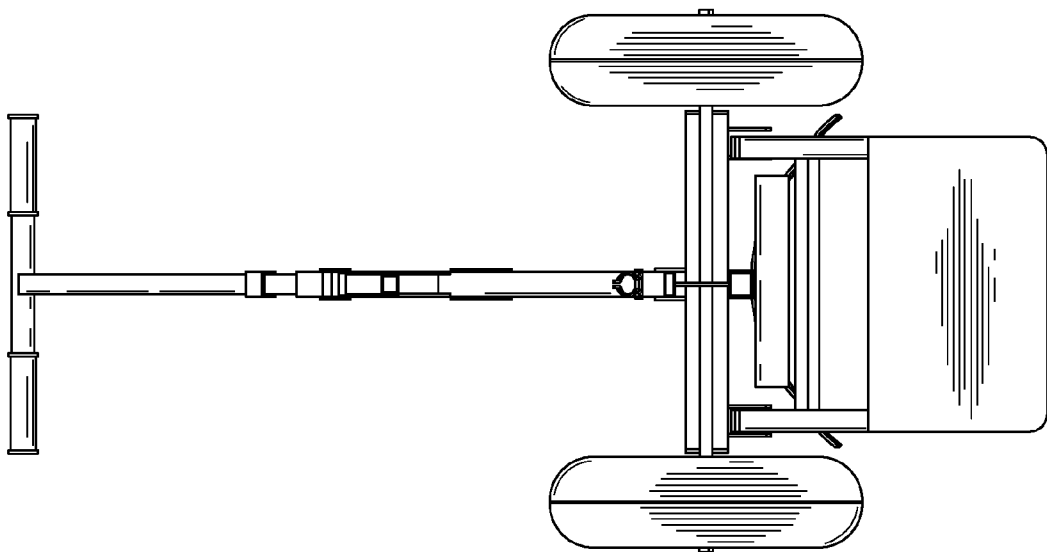


FIG. 6

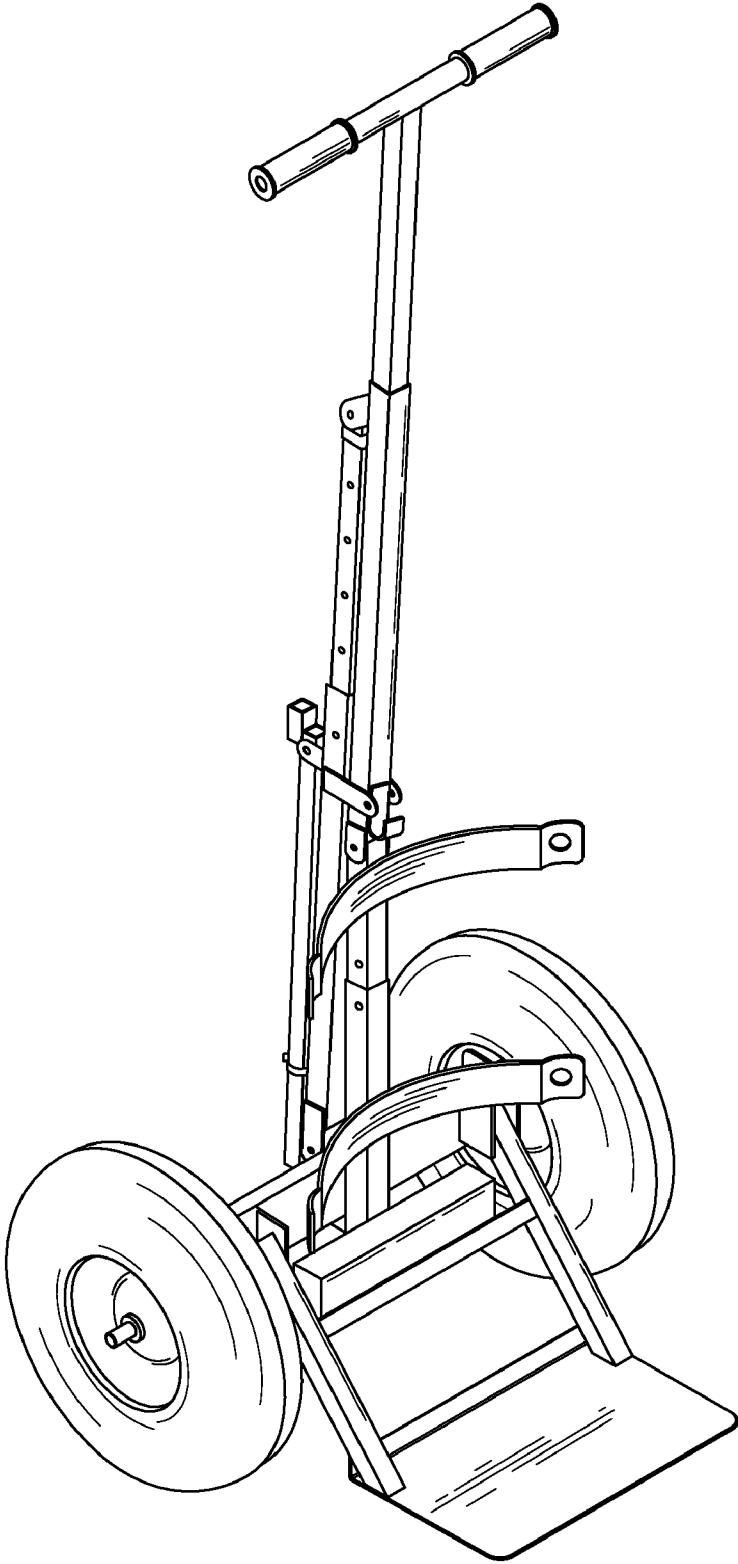


FIG. 7

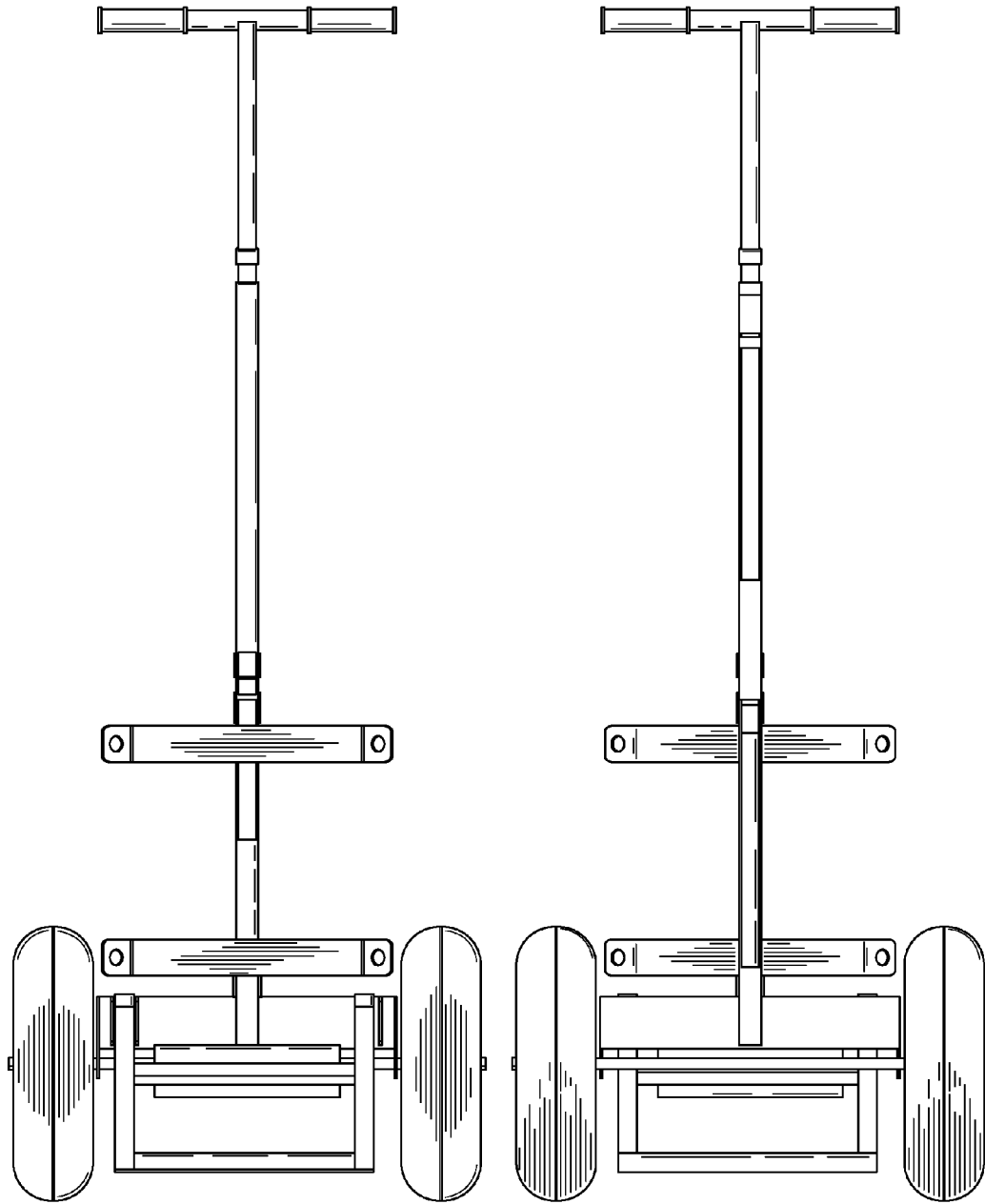


FIG. 8

FIG. 9

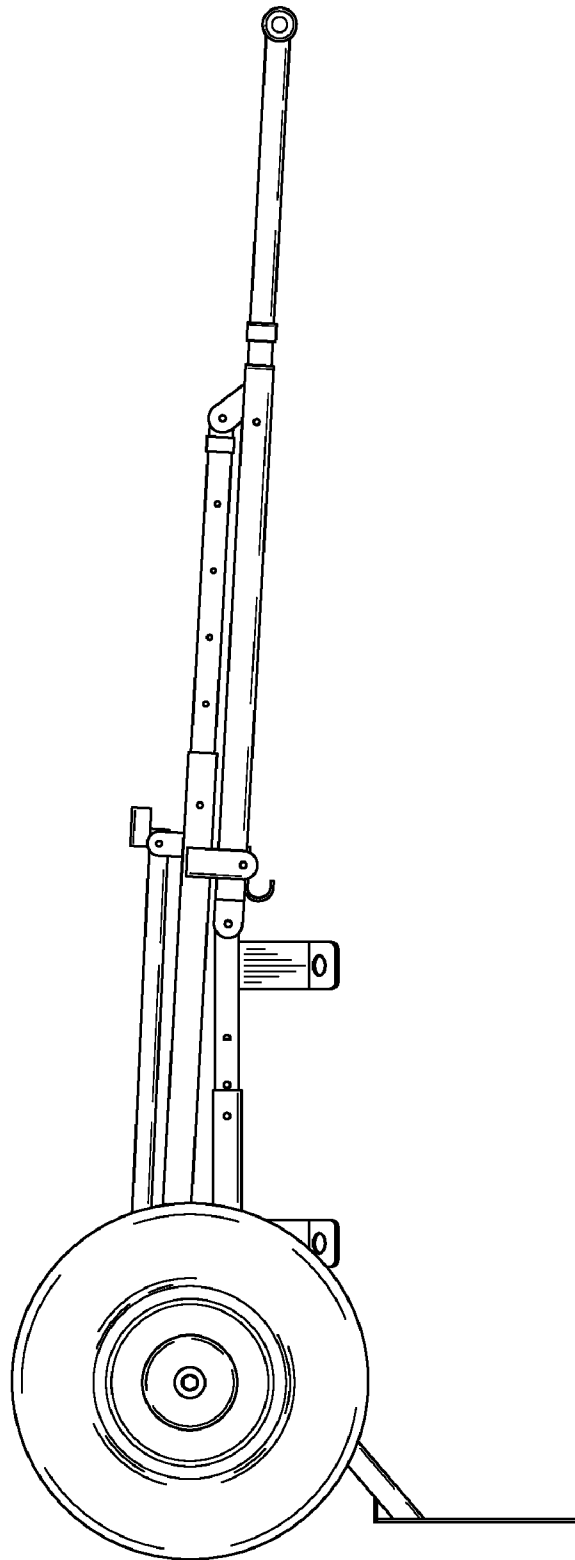


FIG. 10

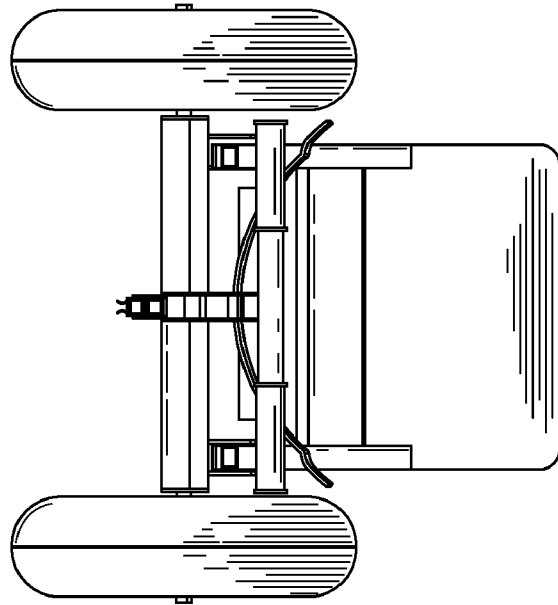


FIG. 11

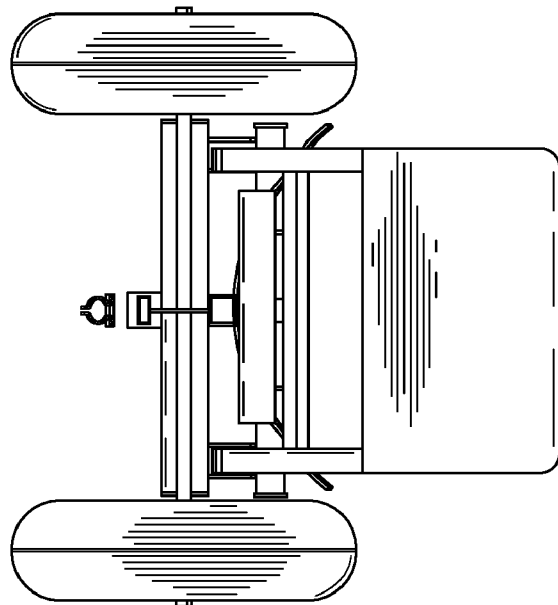


FIG. 12