



US00D867167S

(12) **United States Design Patent**
Foster

(10) **Patent No.:** **US D867,167 S**

(45) **Date of Patent:** **** Nov. 19, 2019**

(54) **MEASURING DEVICE**

DESCRIPTION

(71) Applicant: **Samuel Foster**, Havertown, PA (US)
 (72) Inventor: **Samuel Foster**, Havertown, PA (US)
 (**) Term: **15 Years**
 (21) Appl. No.: **29/656,590**
 (22) Filed: **Jul. 13, 2018**
 (51) **LOC (12) Cl.** **10-04**
 (52) **U.S. Cl.** **D10/46.2**
 USPC **D10/46.2**
 (58) **Field of Classification Search**
 USPC D7/558, 589; D10/46.2, 46.3
 CPC .. B65D 23/12; B65D 1/0284; B65D 21/0204;
 B65D 69/00
 See application file for complete search history.

FIG. 1 is a front, bottom and left side perspective view of a measuring device according to the invention;
 FIG. 2 is a front elevation view thereof;
 FIG. 3 is a rear elevation view thereof;
 FIG. 4 is a right side elevation view thereof;
 FIG. 5 is a left side elevation view thereof;
 FIG. 6 is a top plan view thereof;
 FIG. 7 is a bottom plan view thereof;
 FIG. 8 is a top, front and left side perspective view thereof;
 FIG. 9 is a front, bottom and right side perspective view thereof;
 FIG. 10 is a front, bottom and left side exploded perspective view of the measuring device;
 FIG. 11 is an enlarged view of FIG. 1 thereof;
 FIG. 12 is an enlarged view of FIG. 2 thereof;
 FIG. 13 is an enlarged view of FIG. 3 thereof;
 FIG. 14 is an enlarged view of FIG. 4 thereof;
 FIG. 15 is an enlarged view of FIG. 5 thereof;
 FIG. 16 is an enlarged view of FIG. 6 thereof;
 FIG. 17 is an enlarged view of FIG. 7 thereof;
 FIG. 18 is an enlarged view of FIG. 8 thereof;
 FIG. 19 is an enlarged view of FIG. 9 thereof;
 FIG. 20 is an enlarged view of FIG. 10 thereof; and,
 FIG. 21 is a section view thereof taken along section line 21-21 in FIG. 18.

The evenly broken lines of the measuring device are included for the purpose of illustrating environmental subject matter and form no part of the claimed design.

(56) **References Cited**

U.S. PATENT DOCUMENTS

2,371,092 A * 3/1945 Williams E06C 1/26
 182/115
 9,428,303 B2 * 8/2016 Foster B65D 23/12

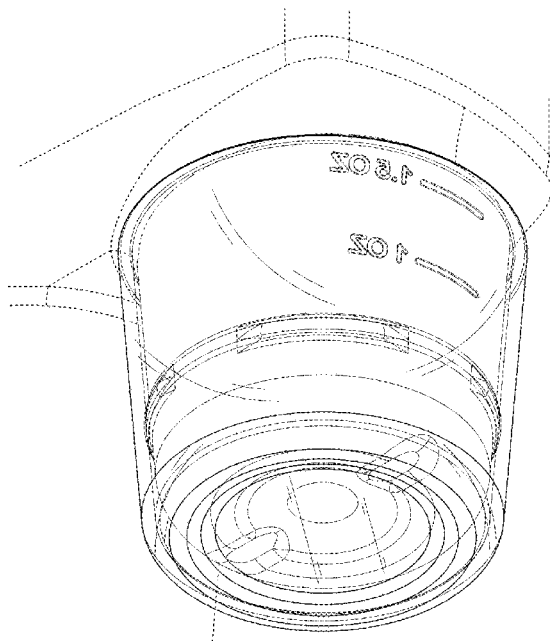
* cited by examiner

Primary Examiner — Antoine Duval Davis
 (74) *Attorney, Agent, or Firm* — Barley Snyder

(57) **CLAIM**

The measuring device, as shown and described.

1 Claim, 16 Drawing Sheets



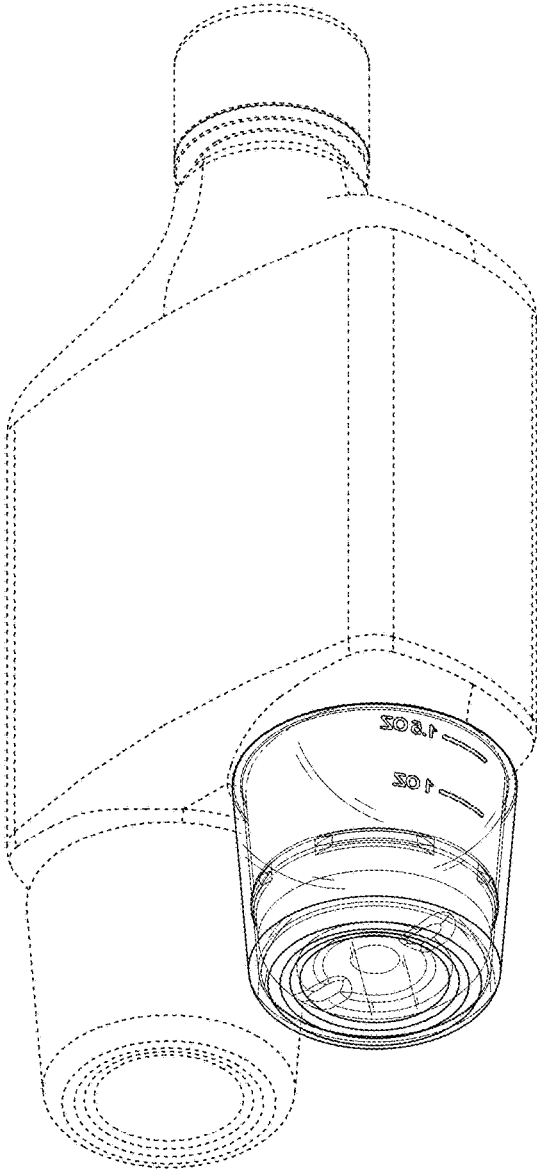


FIG. 1

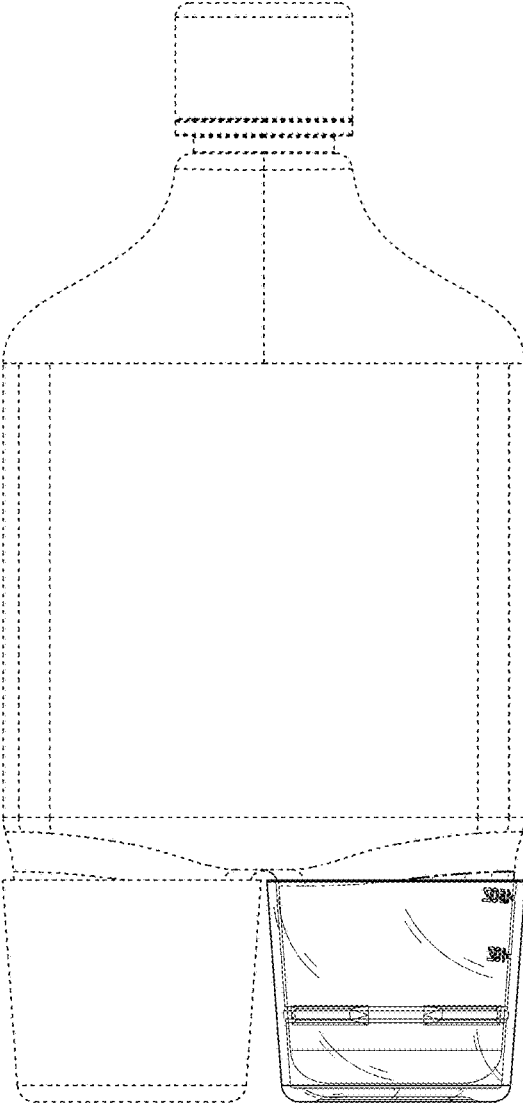


FIG. 2

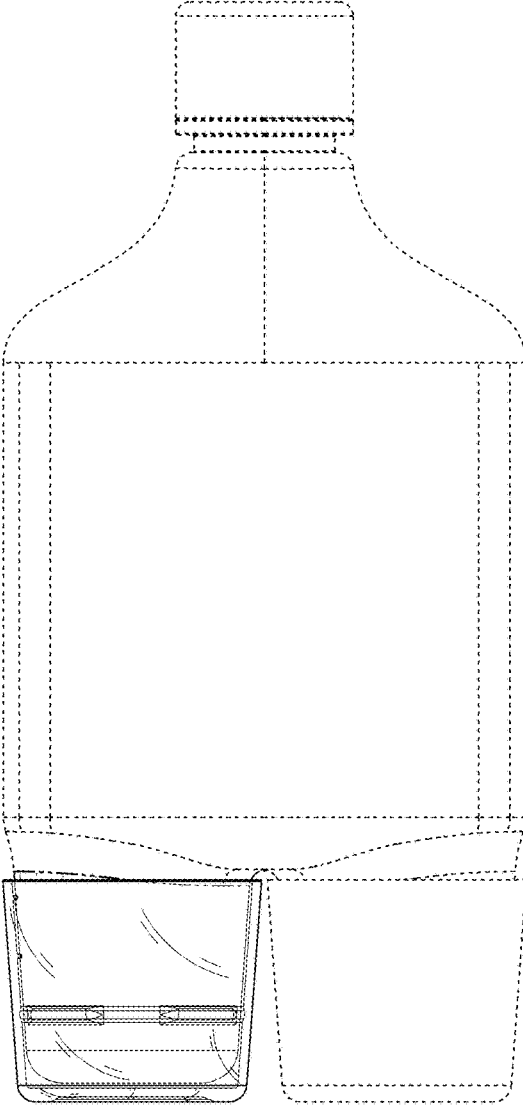


FIG. 3

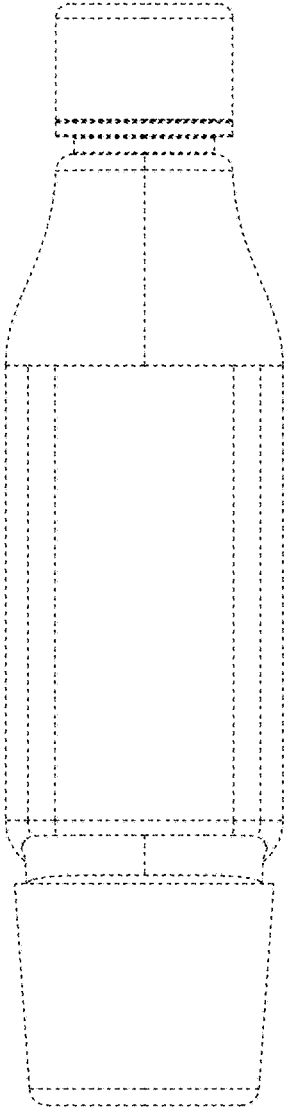


FIG. 4

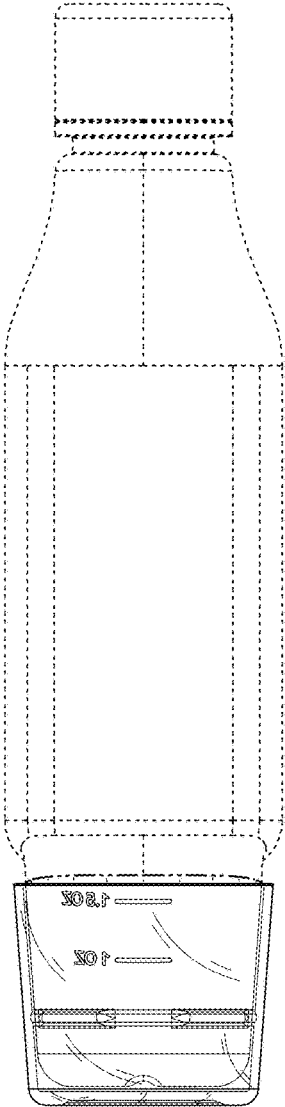


FIG. 5

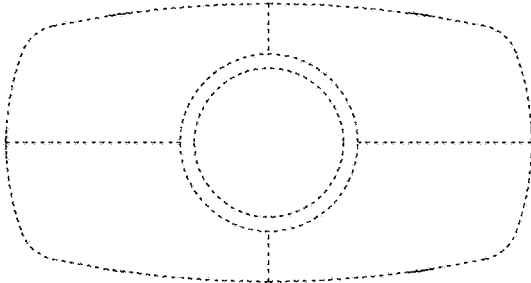


FIG. 6

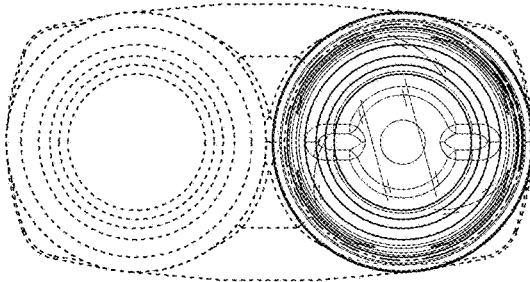


FIG. 7

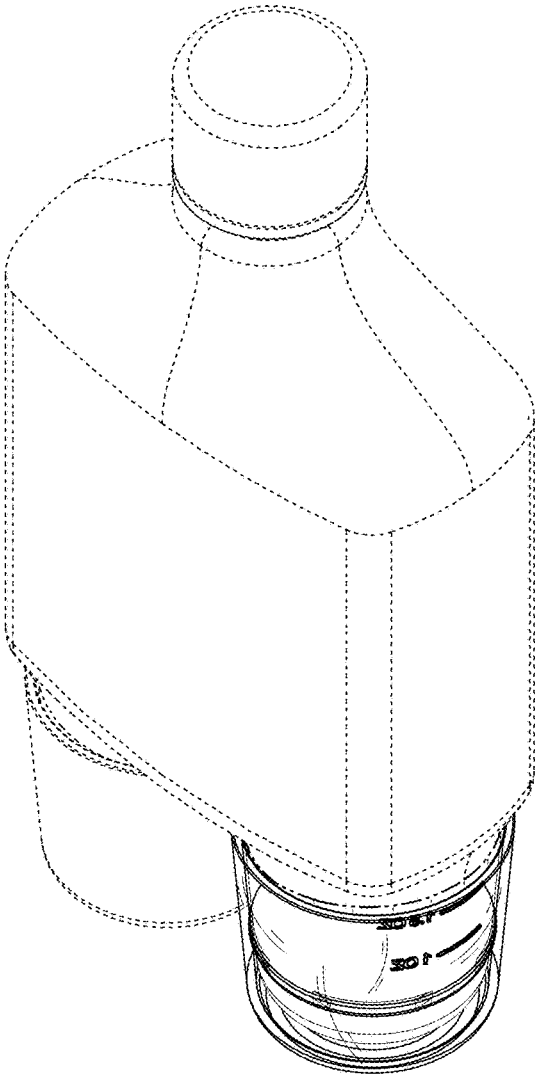


FIG. 8

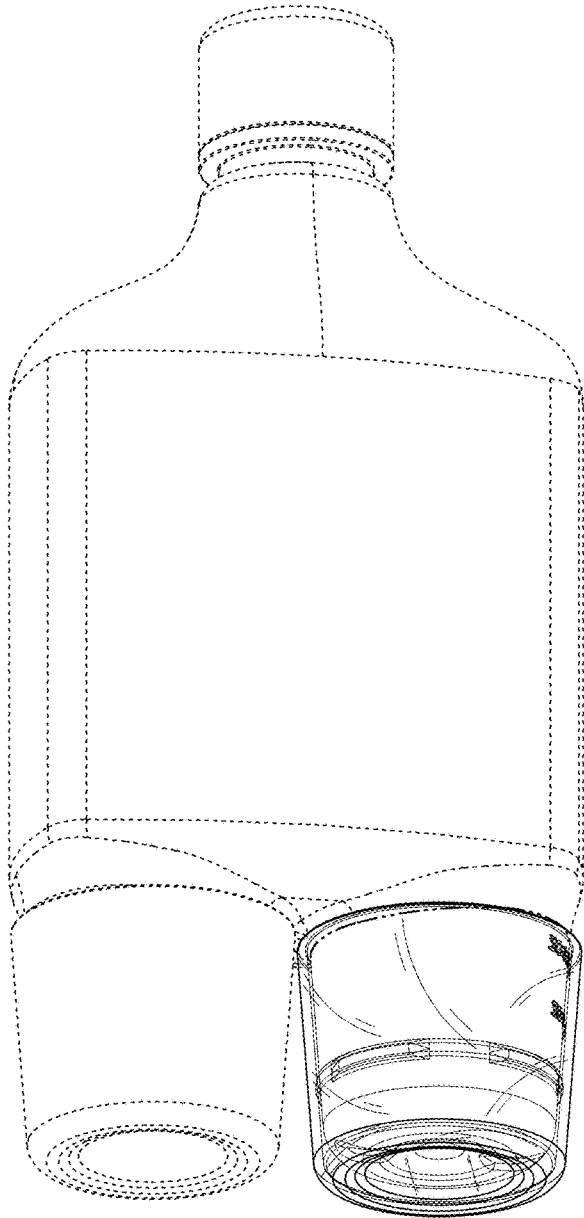


FIG. 9

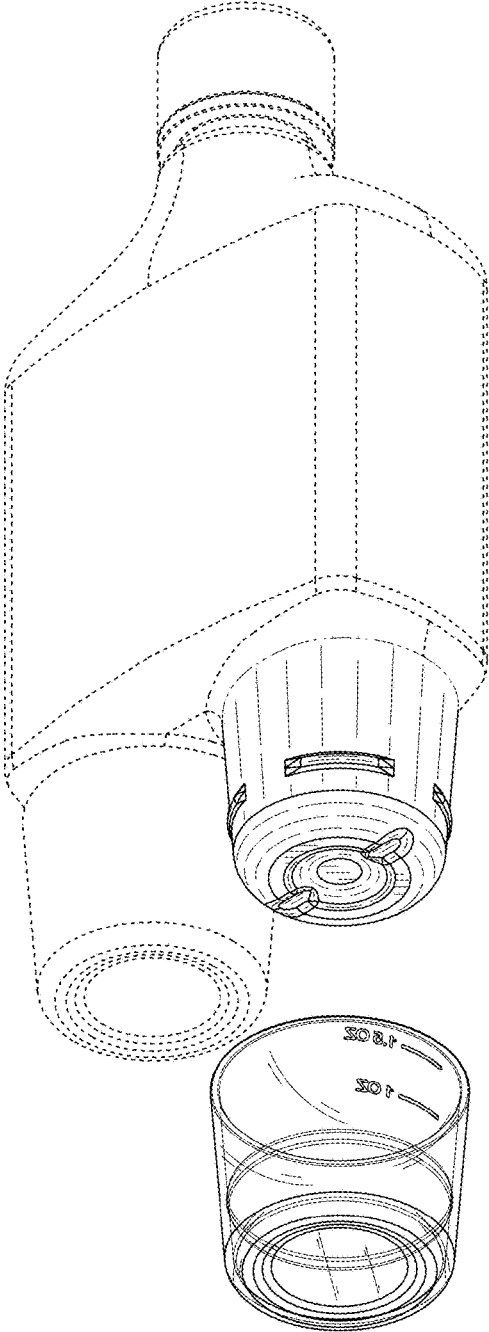


FIG. 10

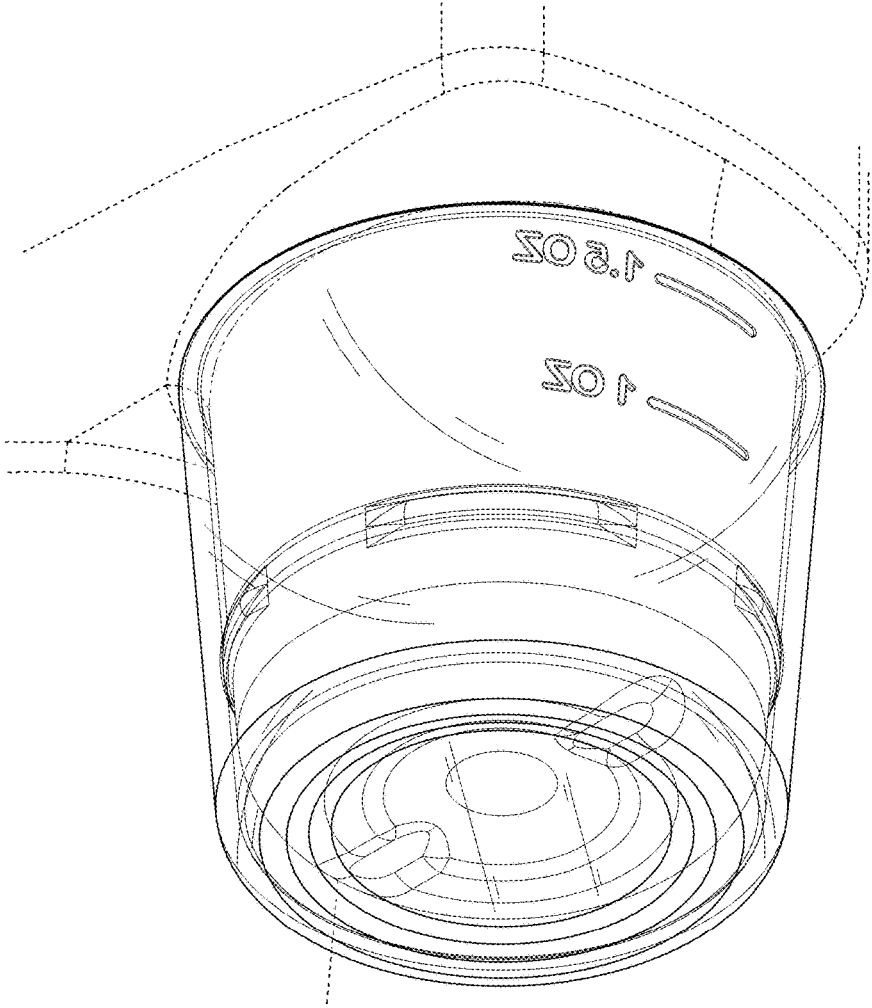


FIG. 11

FIG. 12

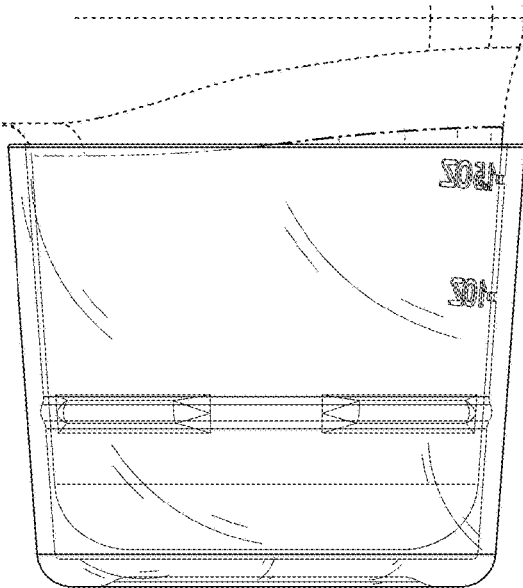
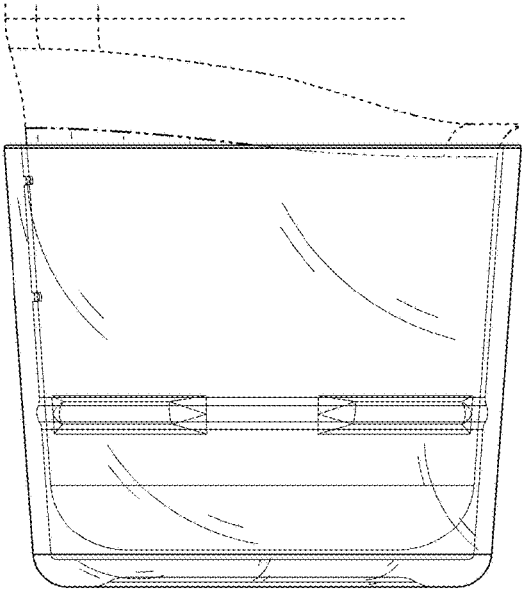


FIG. 13



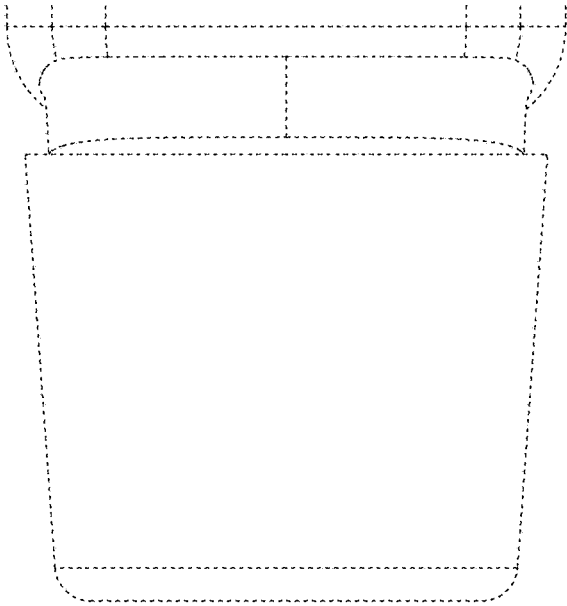


FIG. 14

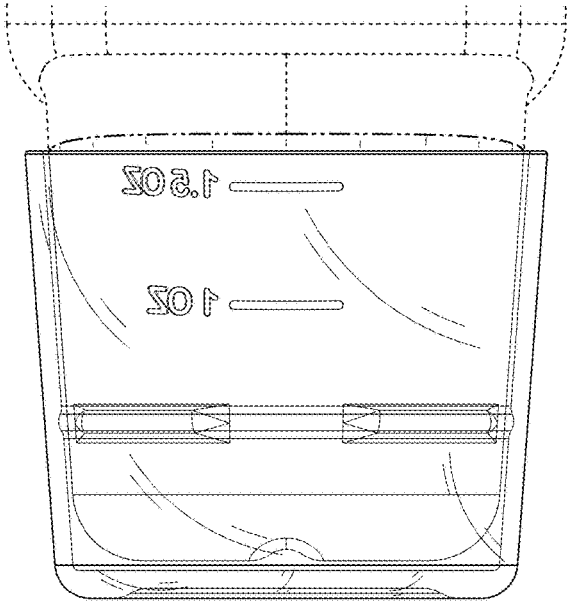


FIG. 15

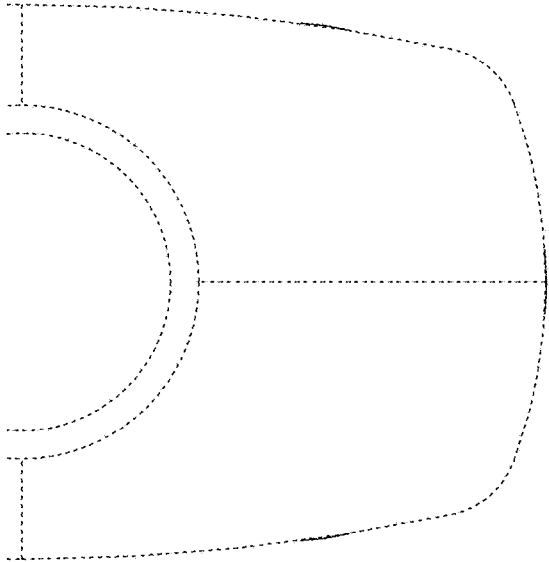


FIG. 16

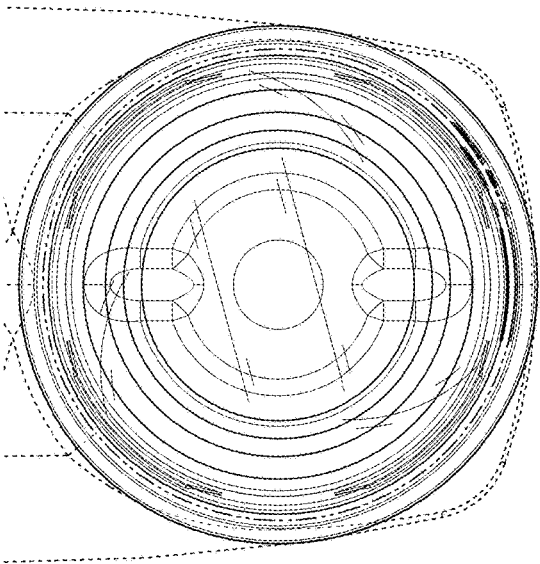


FIG. 17

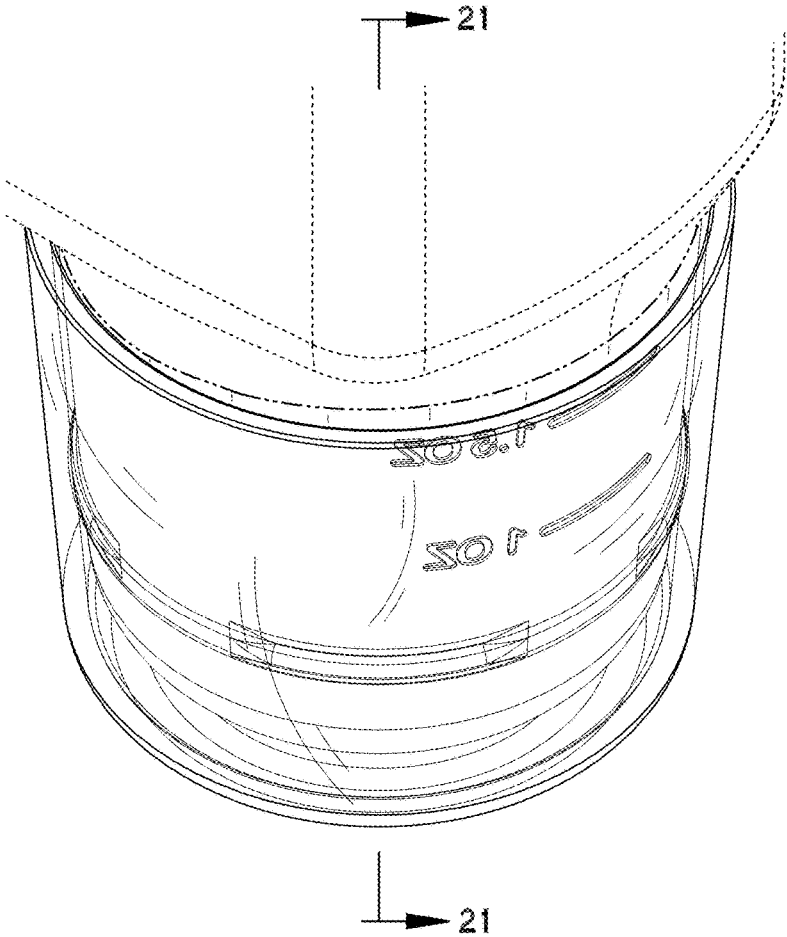


FIG. 18

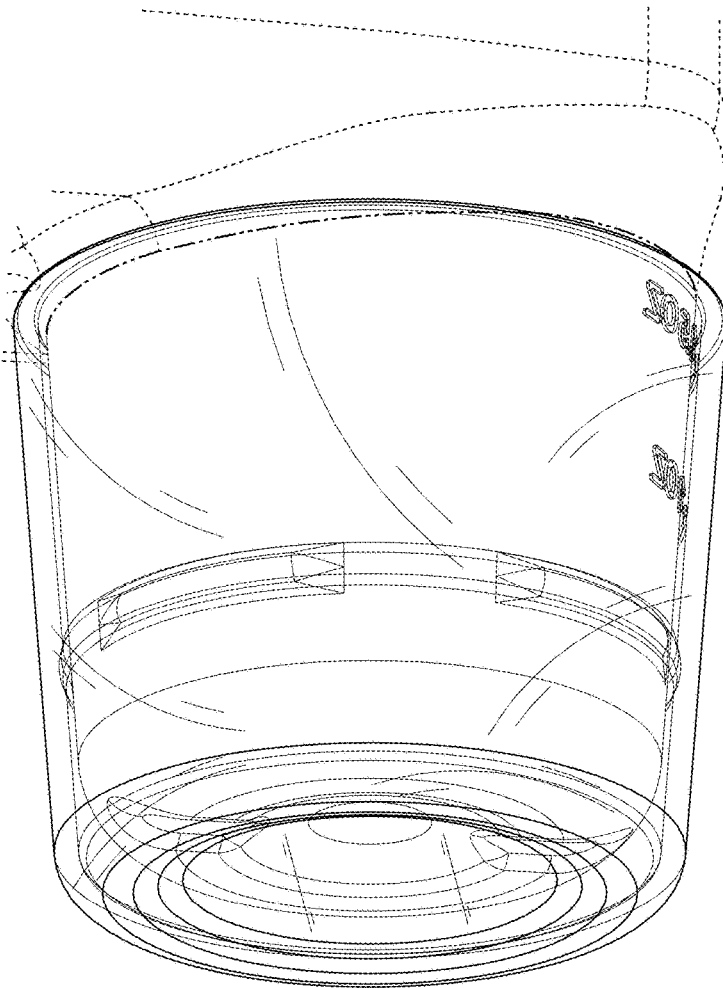


FIG. 19

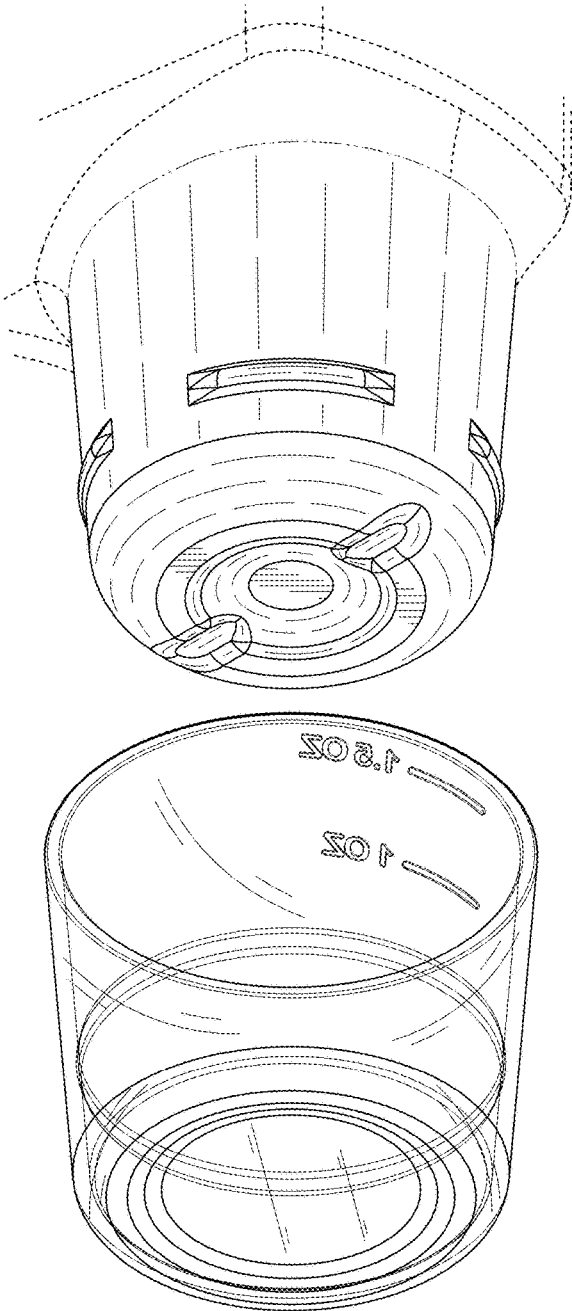


FIG. 20

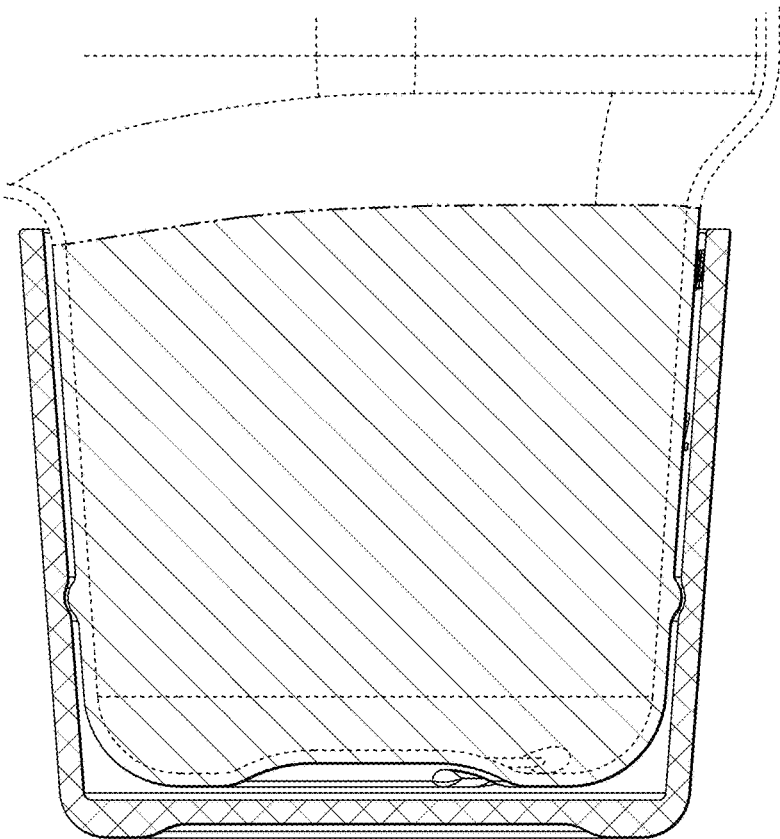


FIG. 21