

(19) World Intellectual Property Organization
International Bureau



(43) International Publication Date
13 December 2007 (13.12.2007)

PCT

(10) International Publication Number
WO 2007/143277 A3

(51) International Patent Classification:
H04L 12/56 (2006.01)

(21) International Application Number:
PCT/US2007/066522

(22) International Filing Date: 12 April 2007 (12.04.2007)

(25) Filing Language: English

(26) Publication Language: English

(30) Priority Data:
60/792,236 12 April 2006 (12.04.2006) US
60/849,650 5 October 2006 (05.10.2006) US

(71) Applicant (for all designated States except US): AWARE, INC. [US/US]; 40 Middlesex Turnpike, Bedford, MA 01730-1423 (US).

(72) Inventor; and

(75) Inventor/Applicant (for US only): TZANNES, Marcos, C. [US/US]; 121 La Espiral, Orinda, CA 94563 (US).

(74) Agent: VICK, Jason, H.; Sheridan Ross Pc, Suite 1200, 1560 Broadway, Denver, CO 80202 (US).

(81) Designated States (unless otherwise indicated, for every kind of national protection available): AE, AG, AL, AM,

AT, AU, AZ, BA, BB, BG, BH, BR, BW, BY, BZ, CA, CH, CN, CO, CR, CU, CZ, DE, DK, DM, DZ, EC, EE, EG, ES, FI, GB, GD, GE, GH, GM, GT, HN, HR, HU, ID, IL, IN, IS, JP, KE, KG, KM, KN, KP, KR, KZ, LA, LC, LK, LR, LS, LT, LU, LY, MA, MD, ME, MG, MK, MN, MW, MX, MY, MZ, NA, NG, NI, NO, NZ, OM, PG, PH, PL, PT, RO, RS, RU, SC, SD, SE, SG, SK, SL, SM, SV, SY, TJ, TM, TN, TR, TT, TZ, UA, UG, US, UZ, VC, VN, ZA, ZM, ZW.

(84) Designated States (unless otherwise indicated, for every kind of regional protection available): ARIPO (BW, GH, GM, KE, LS, MW, MZ, NA, SD, SL, SZ, TZ, UG, ZM, ZW), Eurasian (AM, AZ, BY, KG, KZ, MD, RU, TJ, TM), European (AT, BE, BG, CH, CY, CZ, DE, DK, EE, ES, FI, FR, GB, GR, HU, IE, IS, IT, LT, LU, LV, MC, MT, NL, PL, PT, RO, SE, SI, SK, TR), OAPI (BF, BJ, CF, CG, CI, CM, GA, GN, GQ, GW, ML, MR, NE, SN, TD, TG).

Declaration under Rule 4.17:

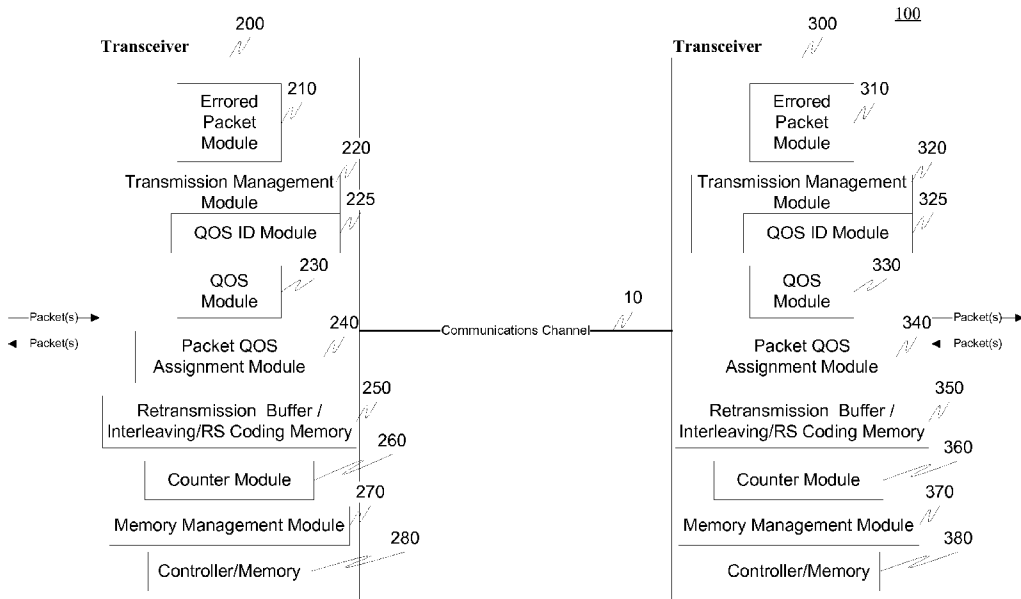
— of inventorship (Rule 4.17(iv))

Published:

— with international search report
— before the expiration of the time limit for amending the claims and to be republished in the event of receipt of amendments

(88) Date of publication of the international search report:
5 June 2008

(54) Title: PACKET RETRANSMISSION AND MEMORY SHARING



(57) Abstract: Through the identification of different packet-types, packets can be handled based on an assigned packet handling identifier. This identifier can, for example, enable forwarding of latency-sensitive packets without delay and allow error-sensitive packets to be stored for possible retransmission. In another embodiment, and optionally in conjunction with retransmission protocols including a packet handling identifier, a memory used for retransmission of packets can be shared with other transceiver functionality such as, coding, decoding, interleaving, deinterleaving, error correction, and the like.

WO 2007/143277 A3

INTERNATIONAL SEARCH REPORT

International application No
PCT/US2007/066522

A. CLASSIFICATION OF SUBJECT MATTER
INV. H04L12/56

According to International Patent Classification (IPC) or to both national classification and IPC

B. FIELDS SEARCHED

Minimum documentation searched (classification system followed by classification symbols)
H04L

Documentation searched other than minimum documentation to the extent that such documents are included in the fields searched

Electronic data base consulted during the international search (name of data base and, where practical, search terms used)

EPO-Internal

C. DOCUMENTS CONSIDERED TO BE RELEVANT

Category*	Citation of document, with indication, where appropriate, of the relevant passages	Relevant to claim No.
X	EP 1 225 735 A (MATSUSHITA ELECTRIC IND CO LTD [JP]) 24 July 2002 (2002-07-24) paragraph [0009]	1-18, 28-35, 45-52, 58-65, 72-80, 85-92
X	EP 1 246 409 A (MITSUBISHI ELECTRIC CORP [JP]) 2 October 2002 (2002-10-02) claim 1	1-18, 28-35, 45-52, 58-65, 72-80, 85-92

Further documents are listed in the continuation of Box C.

See patent family annex.

* Special categories of cited documents:

- *A* document defining the general state of the art which is not considered to be of particular relevance
- *E* earlier document but published on or after the international filing date
- *L* document which may throw doubts on priority claim(s) or which is cited to establish the publication date of another citation or other special reason (as specified)
- *O* document referring to an oral disclosure, use, exhibition or other means
- *P* document published prior to the international filing date but later than the priority date claimed

- *T* later document published after the international filing date or priority date and not in conflict with the application but cited to understand the principle or theory underlying the invention
- *X* document of particular relevance; the claimed invention cannot be considered novel or cannot be considered to involve an inventive step when the document is taken alone
- *Y* document of particular relevance; the claimed invention cannot be considered to involve an inventive step when the document is combined with one or more other such documents, such combination being obvious to a person skilled in the art.
- *Z* document member of the same patent family

Date of the actual completion of the international search

19 March 2008

Date of mailing of the international search report

14/04/2008

Name and mailing address of the ISA/

European Patent Office, P.B. 5818 Patentlaan 2
NL - 2280 HV Rijswijk
Tel. (+31-70) 340-2040, Tx. 31 651 epo nl,
Fax: (+31-70) 340-3016

Authorized officer

Gregori, Stefano

INTERNATIONAL SEARCH REPORT

International application No
PCT/US2007/066522

C(Continuation). DOCUMENTS CONSIDERED TO BE RELEVANT		
Category*	Citation of document, with indication, where appropriate, of the relevant passages	Relevant to claim No.
A	SHOJI T ET AL: "WIRELESS ACCESS METHOD TO ENSURE EACH USER'S QOS IN UNPREDICTABLE AND VARIOUS QOS REQUIREMENTS" WIRELESS PERSONAL COMMUNICATIONS, SPRINGER, DORDRECHT, NL, vol. 22, no. 2, August 2002 (2002-08), pages 139-151, XPO01122731 ISSN: 0929-6212 page 148, line 1	1-18, 28-35, 45-52, 58-65, 72-80, 85-92
X	US 2005/180323 A1 (BEIGHTOL DEAN D [US] ET AL) 18 August 2005 (2005-08-18) paragraph [0028] - paragraph [0034]	19-27, 38-44, 53-57, 68-71, 81-84, 93-105
X	US 2004/114536 A1 (AIDAN O'ROURKE) 17 June 2004 (2004-06-17) paragraph [0012] - paragraph [0014]	36, 37, 66, 67

INTERNATIONAL SEARCH REPORT

International application No.
PCT/US2007/066522

Box No. II Observations where certain claims were found unsearchable (Continuation of item 2 of first sheet)

This International search report has not been established in respect of certain claims under Article 17(2)(a) for the following reasons:

1. Claims Nos.:
because they relate to subject matter not required to be searched by this Authority, namely:

2. Claims Nos.:
because they relate to parts of the international application that do not comply with the prescribed requirements to such an extent that no meaningful international search can be carried out, specifically:

3. Claims Nos.:
because they are dependent claims and are not drafted in accordance with the second and third sentences of Rule 6.4(a).

Box No. III Observations where unity of invention is lacking (Continuation of item 3 of first sheet)

This International Searching Authority found multiple inventions in this international application, as follows:

see additional sheet

1. As all required additional search fees were timely paid by the applicant, this international search report covers allsearchable claims.
2. As all searchable claims could be searched without effort Justifying an additional fees, this Authority did not invite payment of additional fees.
3. As only some of the required additional search fees were timely paid by the applicant, this international search report covers only those claims for which fees were paid, specifically claims Nos.:
4. No required additional search fees were timely paid by the applicant. Consequently, this international search report is restricted to the invention first mentioned in the claims; it is covered by claims Nos.:

Remark on Protest

- The additional search fees were accompanied by the applicant's protest and, where applicable, the payment of a protest fee.
- The additional search fees were accompanied by the applicant's protest but the applicable protest fee was not paid within the time limit specified in the invitation.
- No protest accompanied the payment of additional search fees.

FURTHER INFORMATION CONTINUED FROM PCT/ISA/ 210

This International Searching Authority found multiple (groups of) inventions in this international application, as follows:

1. claims: 1-18, 28-35, 45-52, 58-65, 72-80, 85-92:

Method and apparatus for identifying at least one particular packet of the plurality of packets as a packet that should not be retransmitted.

2. claims: 19-27, 38-44, 53-57, 68-71, 81-84, 93-105

Method and apparatus for sharing a memory between a interleaving and /or deinterleaving memory and a packet retransmissions memory.

3. claims: 36-37, 66-67

Method and apparatus for identifying low latency packets and low error packets.

INTERNATIONAL SEARCH REPORT

Information on patent family members

International application No PCT/US2007/066522

Patent document cited in search report	A	Publication date	Patent family member(s)	Publication date
EP 1225735	A	24-07-2002	AU 6944601 A CN 1383655 A WO 0205496 A1 JP 2002084338 A US 2002154600 A1	21-01-2002 04-12-2002 17-01-2002 22-03-2002 24-10-2002
EP 1246409	A	02-10-2002	WO 0230067 A1 JP 3821778 B2 US 7114002 B1	11-04-2002 13-09-2006 26-09-2006
US 2005180323	A1	18-08-2005	NONE	
US 2004114536	A1	17-06-2004	NONE	