



(12) **United States Design Patent**  
**DeNeui**

(10) **Patent No.:** **US D800,307 S**  
(45) **Date of Patent:** **\*\* Oct. 17, 2017**

(54) **TROCAR**

FOREIGN PATENT DOCUMENTS

(71) Applicant: **BioTE Medical, LLC**, Irving, TX (US)

EP 2179700 B1 7/2013  
GB 2486497 B 6/2013

(72) Inventor: **Dustin C. DeNeui**, Colleyville, TX (US)

(Continued)

*Primary Examiner* — Thomas Johannes  
*Assistant Examiner* — Samantha Q Lawrence

(73) Assignee: **BIOTE MEDICAL, LLC**, Irving, TX (US)

(74) *Attorney, Agent, or Firm* — FisherBroyles, LLP;  
Anthony J. DoVale

(\*\*) Term: **15 Years**

(57) **CLAIM**

The ornamental design for a trocar, as shown and described.

(21) Appl. No.: **29/555,931**

**DESCRIPTION**

(22) Filed: **Feb. 25, 2016**

FIG. 1 is a perspective view of an embodiment of a trocar of the present application;

(51) **LOC (10) Cl.** ..... **24-02**

FIG. 2 is a right side elevational view of the trocar of FIG. 1;

(52) **U.S. Cl.**

USPC ..... **D24/146**

FIG. 3 is a left side elevational view of the trocar of FIG. 1;

(58) **Field of Classification Search**

USPC ..... D7/649; D8/93, 97, 300, 310, 311, 313;  
D19/110, 115; D24/127, 130, 133, 146,  
D24/147, 148

FIG. 4 is a top elevational view of the trocar of FIG. 1;

CPC .. B26B 3/00; B26B 1/10; B26B 5/005; A61B  
17/809; A61B 17/1617; A61B 17/3211;  
A61B 17/3417; A61B 5/1411

FIG. 5 is a bottom elevational view of the trocar of FIG. 1;

See application file for complete search history.

FIG. 6 is a rear elevational view of the trocar of FIG. 1;

FIG. 7 is a front elevational view of the trocar of FIG. 1;

FIG. 8 is a perspective view of the trocar of FIG. 1;

FIG. 9 is a perspective view of an embodiment of a trocar of the present application;

FIG. 10 is a right side elevational view of the trocar of FIG. 9;

FIG. 11 is a left side elevational view of the trocar of FIG. 9;

FIG. 12 is a top elevational view of the trocar of FIG. 9;

FIG. 13 is a bottom elevational view of the trocar of FIG. 9;

FIG. 14 is a rear elevational view of the trocar of FIG. 9;

FIG. 15 is a front elevational view of the trocar of FIG. 9;

and,

FIG. 16 is a perspective view of the trocar of FIG. 9.

The broken lines shown in FIGS. 1, 6-9 and 14-16 depict environmental subject matter only and form no part of the claimed design.

(56)

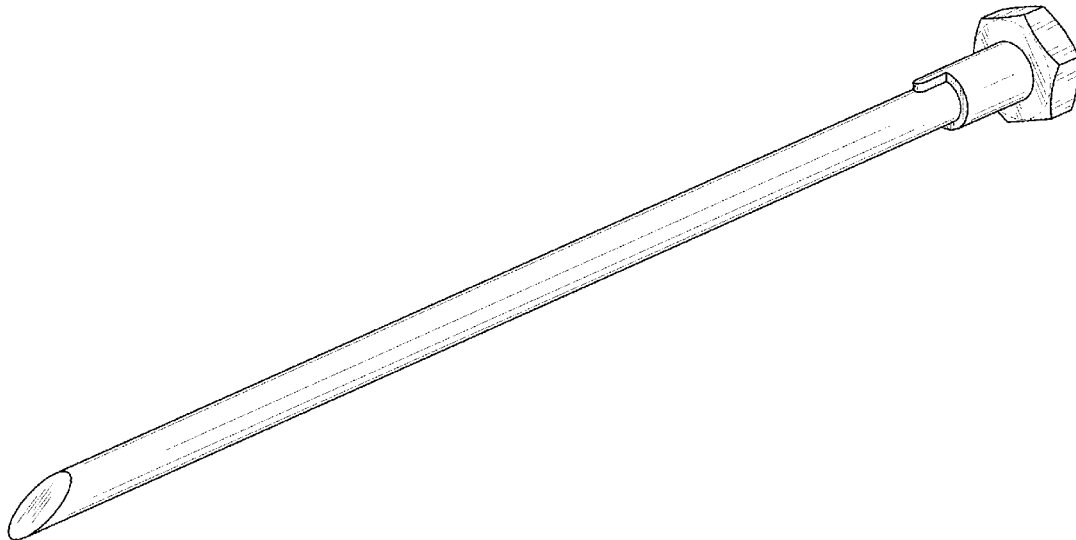
**References Cited**

U.S. PATENT DOCUMENTS

|           |     |         |                  |              |
|-----------|-----|---------|------------------|--------------|
| 1,867,624 | A   | 7/1932  | Joseph           |              |
| D211,323  | S * | 6/1968  | Falk             | ..... D8/300 |
| 3,994,287 | A   | 11/1976 | Turp et al.      |              |
| D295,317  | S   | 4/1988  | Gazale           |              |
| 4,900,309 | A   | 2/1990  | Netherton et al. |              |
| 5,301,684 | A   | 4/1994  | Ogirala          |              |
| 5,334,150 | A   | 8/1994  | Kaali            |              |

(Continued)

**1 Claim, 10 Drawing Sheets**



(56)

References Cited

U.S. PATENT DOCUMENTS

D351,022 S \* 9/1994 Saito ..... D24/146  
 5,387,197 A 2/1995 Smith et al.  
 D373,827 S 9/1996 Polaniec  
 5,697,947 A \* 12/1997 Wolf ..... A61B 17/3496  
 606/185  
 D397,437 S 8/1998 Hlavicka  
 5,957,947 A 9/1999 Wattiez et al.  
 D426,305 S 6/2000 Hein  
 D443,360 S 6/2001 Haberland  
 D444,691 S 7/2001 Ray  
 D454,394 S \* 3/2002 Jansen ..... D24/130  
 6,447,477 B2 9/2002 Burney et al.  
 6,569,119 B1 5/2003 Haberland et al.  
 D496,728 S 9/2004 Holsinger  
 D536,095 S \* 1/2007 May ..... D15/139  
 D582,552 S 12/2008 Berberich  
 D590,945 S \* 4/2009 Berberich ..... D24/133  
 D594,119 S \* 6/2009 Berberich ..... D24/108  
 D599,015 S 8/2009 Peterson  
 D603,043 S 10/2009 Kreidler  
 7,708,751 B2 5/2010 Hughes et al.  
 D620,108 S \* 7/2010 Eitenmueller ..... D24/133  
 8,029,474 B2 10/2011 Chung

8,469,987 B2 6/2013 Delsman  
 D714,934 S \* 10/2014 Kawamura ..... D24/130  
 D726,907 S \* 4/2015 Trump ..... D24/130  
 D727,499 S \* 4/2015 Schad ..... D24/146  
 D728,098 S \* 4/2015 Schad ..... D24/146  
 D728,099 S \* 4/2015 Schad ..... D24/146  
 D735,331 S \* 7/2015 Mastri ..... D24/146  
 D737,973 S \* 9/2015 Nagele ..... D24/146  
 D743,549 S \* 11/2015 Sarig ..... D24/146  
 D753,303 S \* 4/2016 Dannaher ..... D24/146  
 2008/0200915 A1 8/2008 Globerman et al.  
 2009/0192444 A1 7/2009 Albrecht et al.  
 2010/0249750 A1 9/2010 Racz  
 2012/0123460 A1 \* 5/2012 Winfree ..... A61B 17/3421  
 606/185  
 2013/0031735 A1 2/2013 Brand et al.  
 2014/0257296 A1 9/2014 Morgenstern Lopez  
 2015/0088177 A1 \* 3/2015 Jezierski ..... A61B 17/32002  
 606/167

FOREIGN PATENT DOCUMENTS

WO WO 9507663 A1 3/1995  
 WO WO 2009057117 A2 5/2009  
 WO WO 2013158163 A1 10/2013

\* cited by examiner

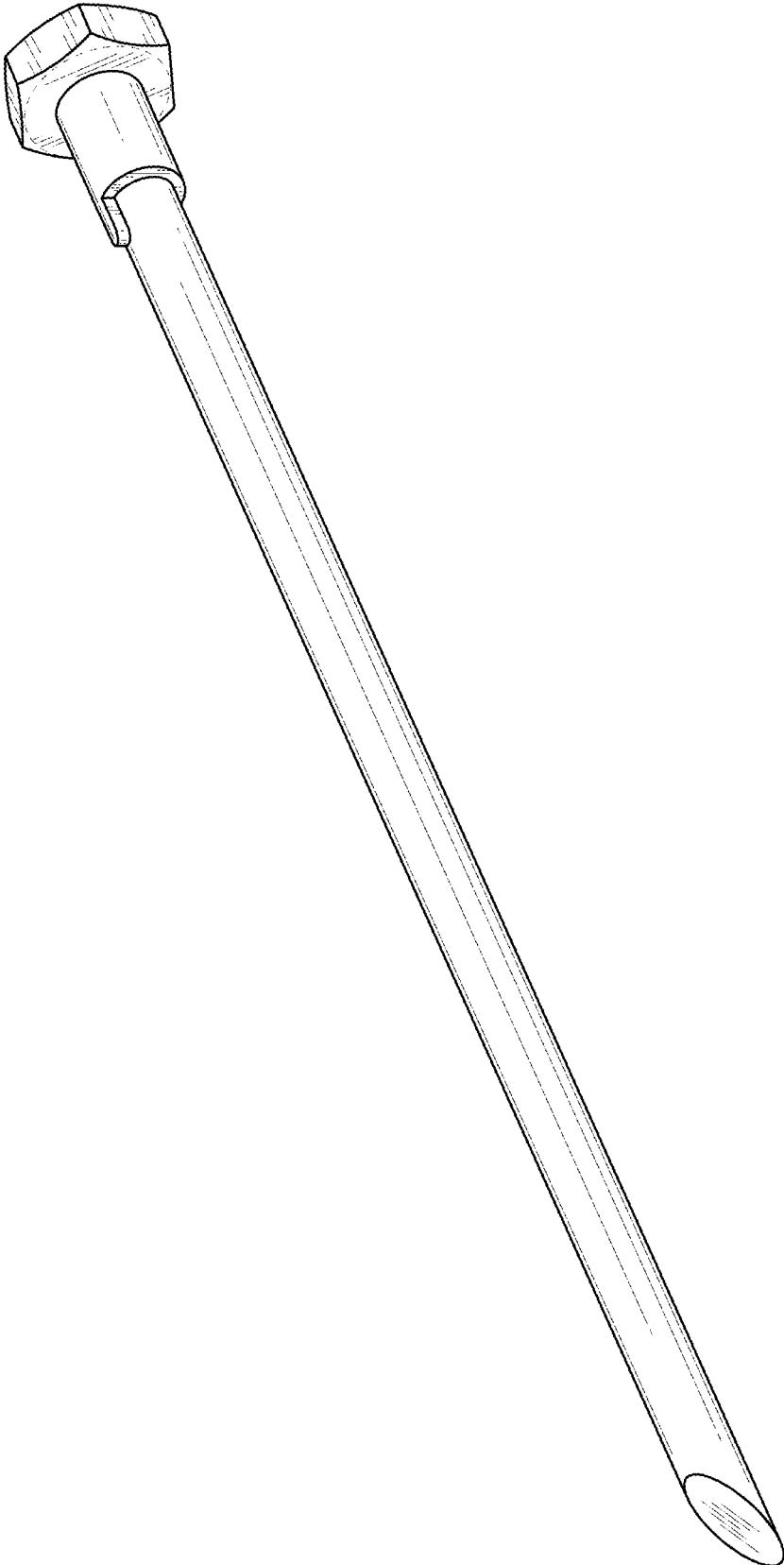


FIG. 1

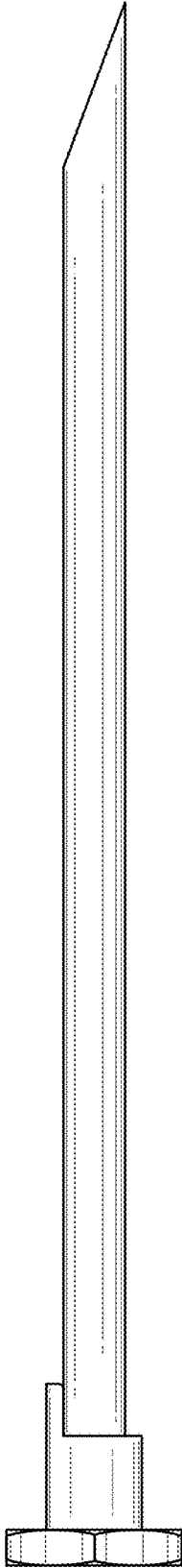


FIG. 2

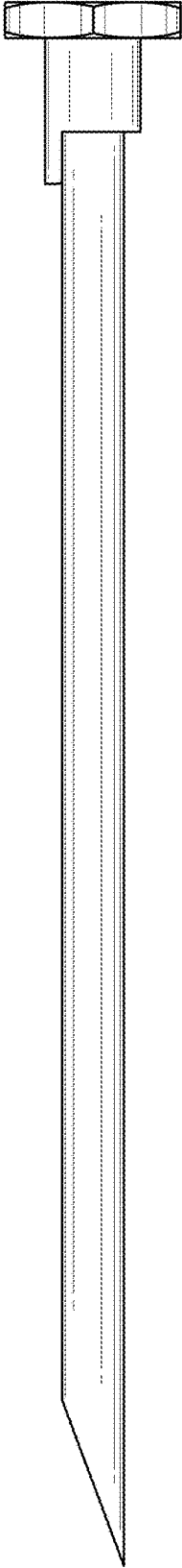


FIG. 3

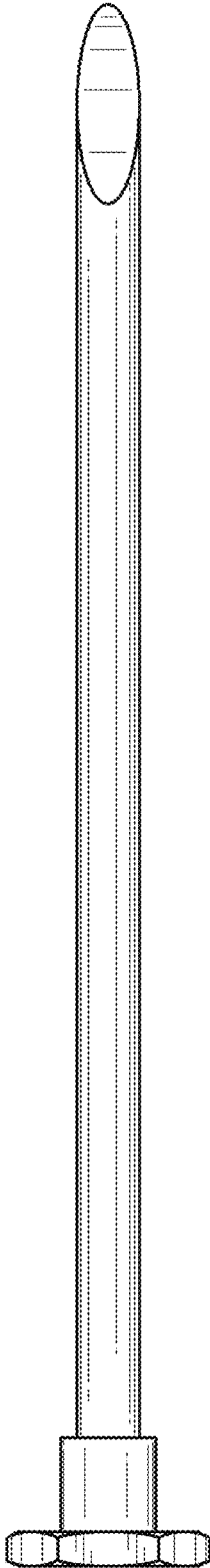


FIG. 4

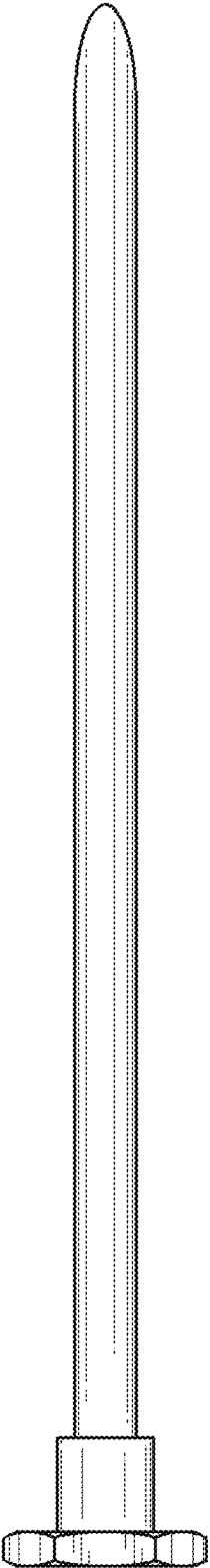


FIG. 5

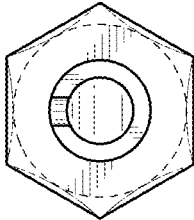


FIG. 7

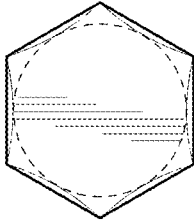


FIG. 6

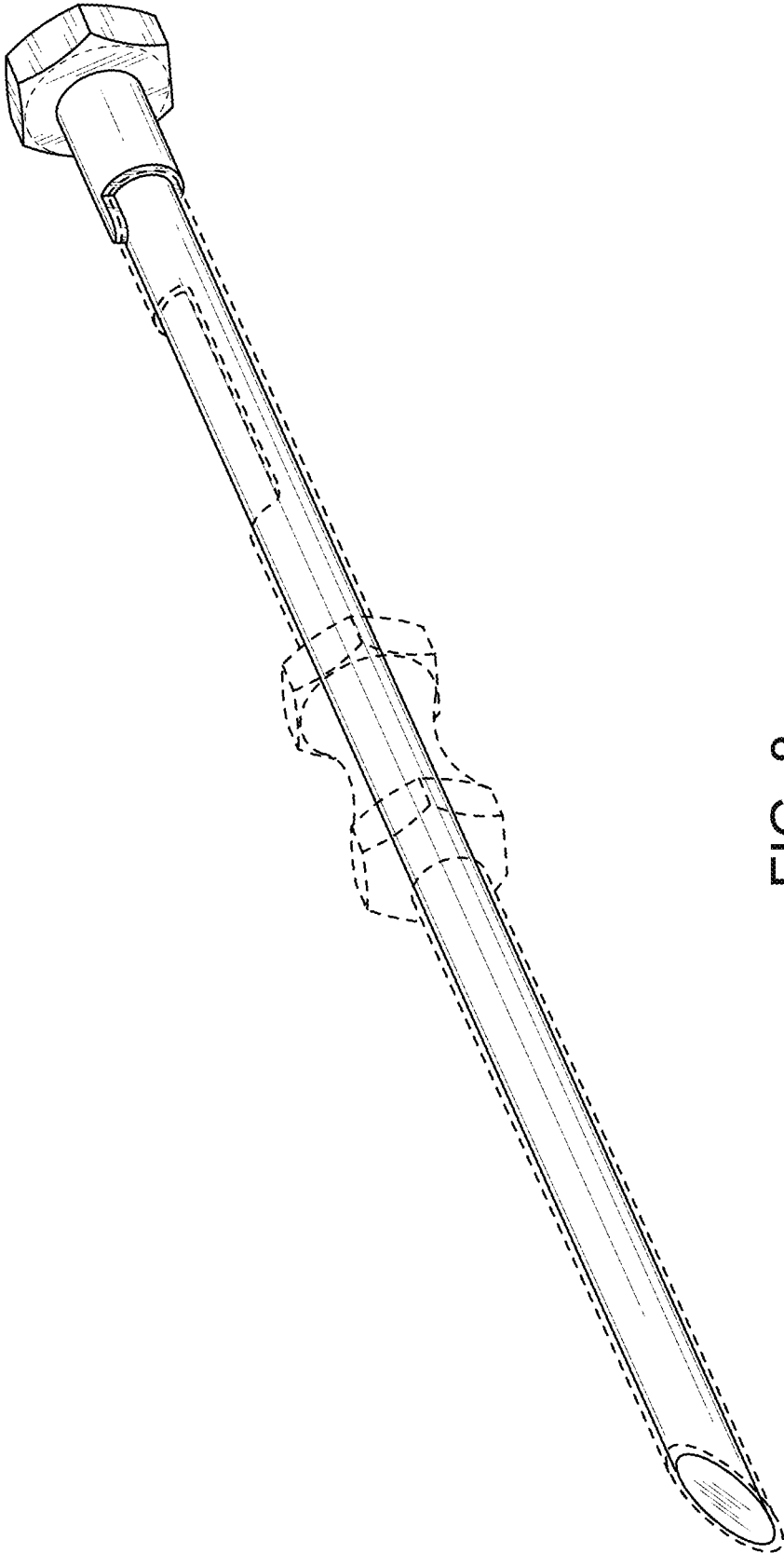


FIG. 8

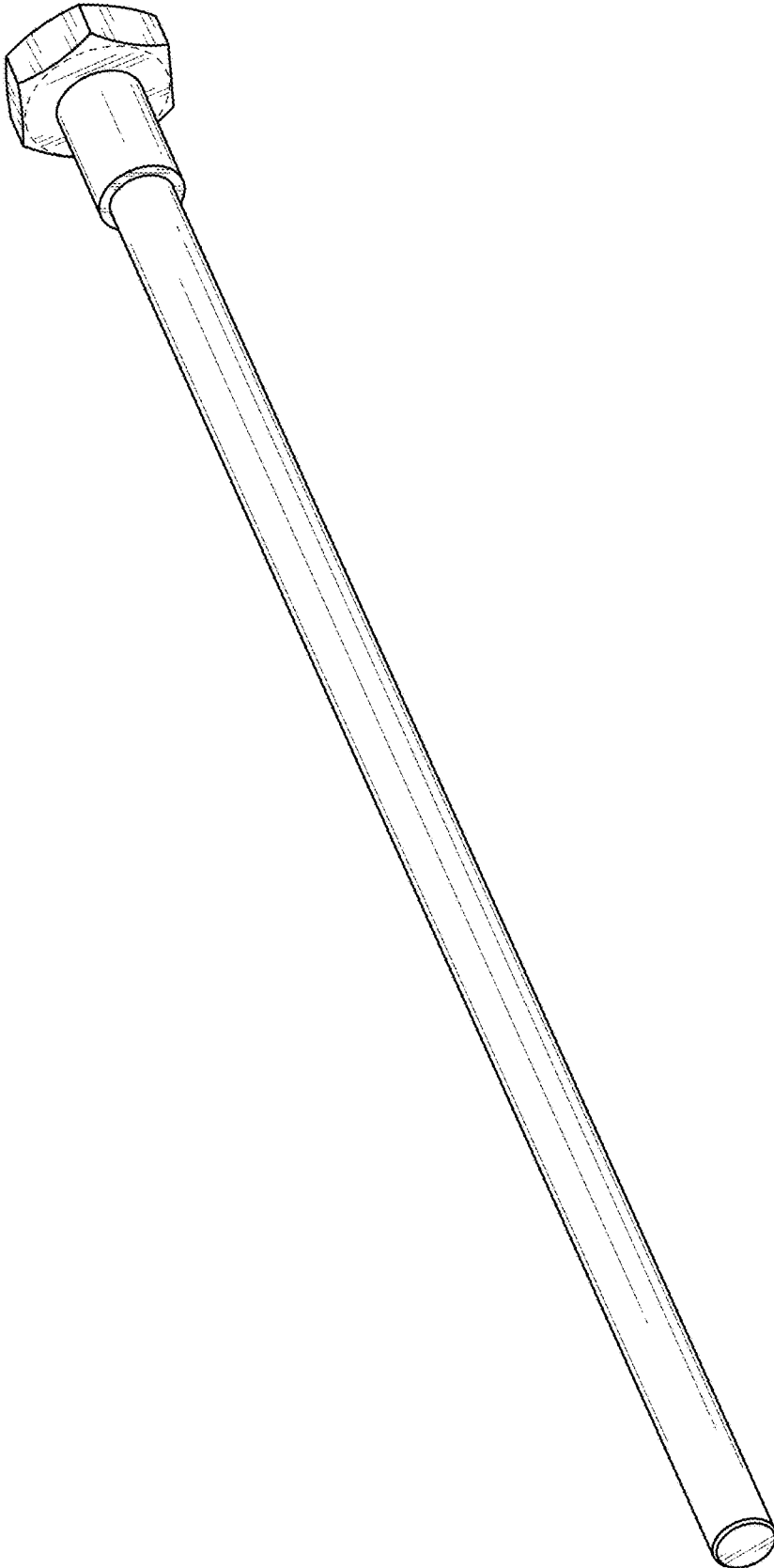


FIG. 9

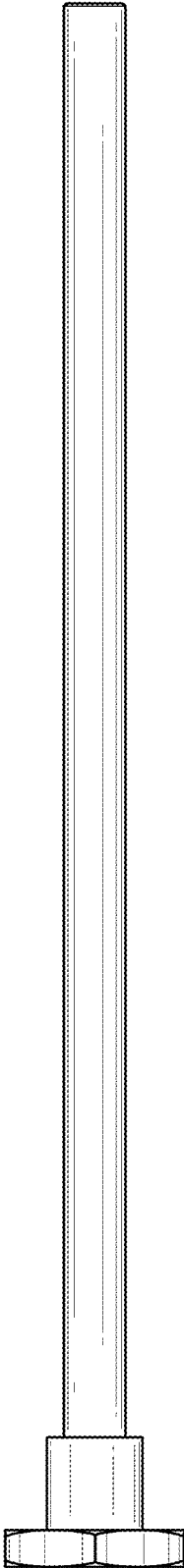


FIG. 10

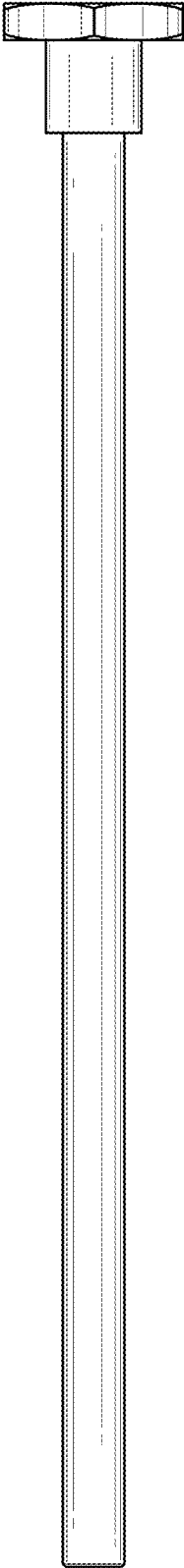


FIG. 11

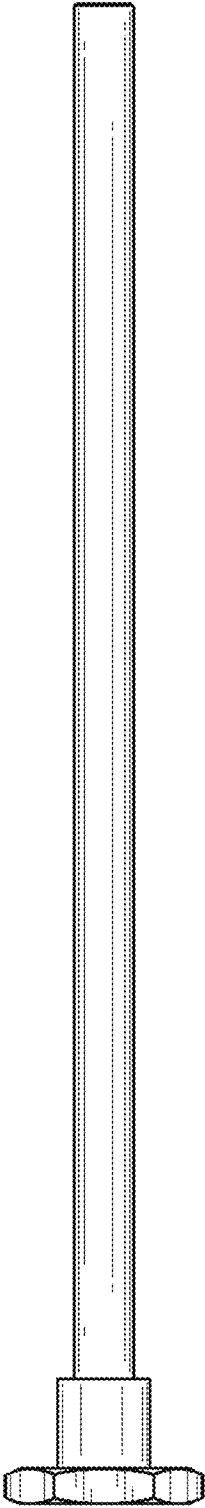


FIG. 12

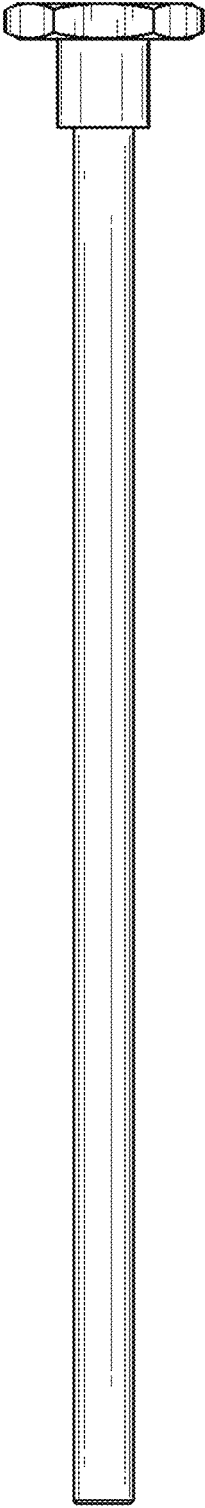


FIG. 13

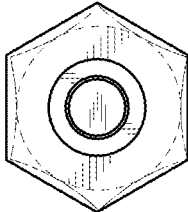


FIG. 15

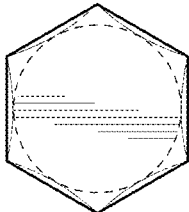


FIG. 14

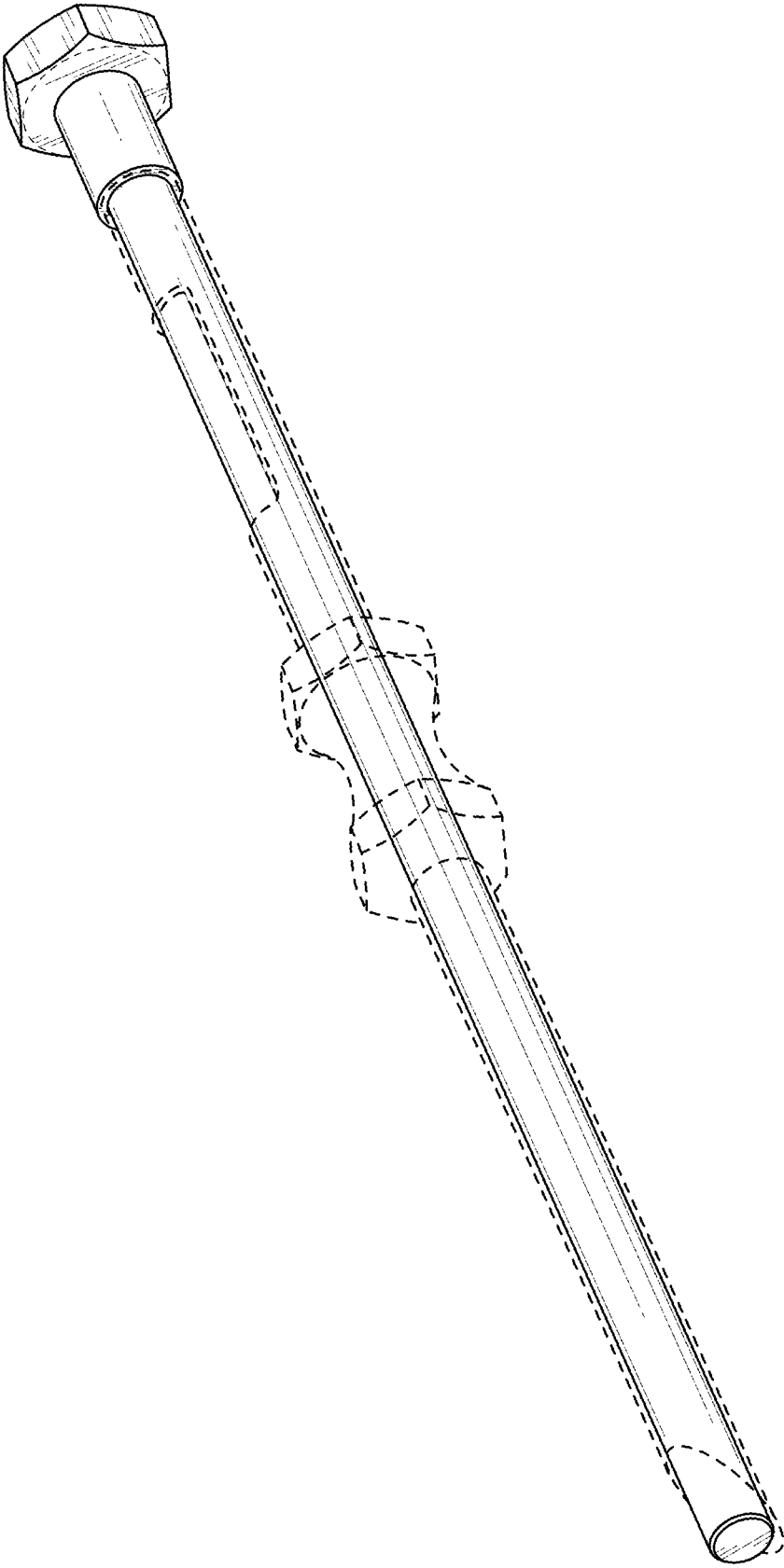


FIG. 16